



<b>October 24, 2022</b>	<b>PO#</b>	
	<b>Product Class:</b>	
City of Ann Arbor Sourcewell ID# 21473	<b>REV:</b>	
Sewer Equipment Sourcewell Contract # 101221-SCA		
Distributor: Fredrickson Supply	<b>WO#</b>	
Salesman: Chris Dimitroff		
End User: City of Ann Arbor		
Address: 301 E Huron St		
City, State, Zip: Ann Arbor, MI 48107		
Phone: 734.794.6390		
Contact: CJ Stegink		
Email: cstegink@a2gov.org		

**900-ECO-CB 12 Yard Truck Mounted Catch Basin Sewer Cleaner**

<p><b>Vacuum System:</b>          4400 CFM Blower          8" Vacuum Hose system          18" Hg vacuum rating          Dual Cyclone Separator          Dual Element 10 Micron Final Filter          Remote Vacuum Relief          Analog Vacuum Display          (6) Tube / Tube Rack</p>	<p><b>Water System:</b>          1300 Gallon Capacity Water Tank          Black Duraprolene™ Water Tank Construction          w/ 10 Year Warranty          Cold Weather Recirculation System          2.5" Hydrant Fill system          Air Purge Valve          Variable Volume Delivery          Low Water Warning Light          Analog Pressure Display</p>	<p><b>Accessories:</b>          (3) 8" x 6' Extension Tube          (1) 8" X 3' Extension Tube          (1) 8" x 6' Crowned Suction Nozzle          (1) 6" x 10' Flat Discharge Hose          (6) Quick Clamps          25' Fill Hose          Upstream Pulley Guide</p>
<p><b>Boom:</b>          Telescoping Boom System          Telescoping Reach 17' 2" to 27' 2"          Hydraulic Powered Boom          180° Working Radius          Boom Joystick Control</p>	<p><b>Electrical:</b>          NEMA 4 Control Panel          Hour Meter (Blower &amp; Water Pump)          Military Spec. Sealed Switches</p>	
<p><b>Debris Tank:</b>          12 Cubic Yard Capacity          Exten Steel Construction          Debris Level Indicator          Hydraulic Dump, 50° Dump Angle (LIFT CLYINDER)          Dual Ported Rear Door w/ Knife Valve          Dump Height 60"          Hydraulic Open/Close/Lock Door</p>	<p><b>Truck:</b>          Mounting to Approved Chassis          (1) Alum Toolbox 24"x42"x100" - Behind Cab          LED D.O.T. Approved Lighting          (2) Tow Hooks Front Bumper</p>	

**FOR ALL NON STANDARD OPTIONS PLEASE CONTACT FACTORY FOR PRICING**

**OPTIONS:**

<b>WATER TANKS:</b>			
DIGITAL WATER TANK LEVEL GAUGE		1	
WATER TANK LOW LEVEL AUDIBLE ALARM (level set point is fixed at 150 gallons)		1	
<b>WATER SYSTEM ATTACHMENTS:</b>			
FILL HOSE STORAGE RACK		1	
COLD WEATHER HYDROEXCAVATION CLEANING KIT 18 GPM @ 2500 PSI (Includes 400,000 BTU diesel fired water heater in enclosed aluminum cabinet ( 8" x 6' digging tube, 8gpm rotary digging wand, 10gpm linear nozzle (shipped loose), (2) 5' Extension wands and automatic reel w/ 75' of 3/8" hose) Includes retractable two step ladder.		1	
<b>TOOLBOX CONFIGURATIONS:</b>			
REAR TOOLBOX GROUP w/ (2) long handle tool storage tubes (includes (2) 24"x18"x18" boxes, (1) 63.75"x17.25"x12" cabinet and (2) 4" tubes) - Confirm rear suspension (Not available with tandem/tag axle chassis)		1	

**DEBRIS BOX & BOOM:**

DEBRIS BODY PUMP OFF SYSTEM (4" hydraulic driven pump rated @ 800 gpm located on rear door of debris box, includes swing out decant screen)		1	
DEBRIS LIQUID LEVEL AUDIBLE ALARM (level set point is adjustable) Note: Tied to vacuum relief and opens vacuum relief valve.		1	
DEBRIS BODY VIBRATOR SYSTEM (12v electric with switch near dump control area)		1	
DEBRIS BODY WASH OUT SYSTEM (includes dual nozzles in debris box)		1	

**ELECTRICAL & LIGHTING:**

WIRELESS REMOTE CONTROL PENDANT (controls include hose reel payout/retrieve, water pump on/off, vacuum relief open/close, boom up/down, boom left/right, boom extend/retract and module kill switch)		1	
WIRELESS REMOTE ALARM (Buzzer alarm sounds off when truck is taken out of neutral with remote not in docking station)		1	
ENHANCED VISIBILITY CAMERA SYSTEM (includes front and rear mounted camera heads with monitor in cab)		1	
(6) LED FLUSH MOUNTED STROBES: (2) FRONT, (2) SIDE & (2) REAR FACING (factory standard)		1	
LED ARROW STICK (factory standard)		1	
LED CURBSIDE BODY MOUNTED WORK LIGHT		1	
LED BOOM MOUNTED WORK LIGHTS (2) (complete with limb guard)		1	
LED REAR MOUNTED WORK LIGHTS (2) : LOCATED ABOVE REAR DOOR		1	

**CHASSIS:**

SIX (6) 28" D.O.T. SAFETY CONES AND HOLDER		1	
CENTRAL LUBRICATION SYSTEM		1	

**SPECIAL ITEMS:**

Heated Enclosure (Cabinet) for Water Pump/Hydro Excavation Reel		1	
Additional Hydro Excavation Reel Mounted on Front Bumper		1	
Boom Peg and Cradle Mounted on front bumper		1	
Rear Bumper Extension		1	
Lincoln AutoLube System for All Grease Points 12VDC Pump w/4lb Reservoir		1	
Chassis Steel Wheels Painted White		1	
Chassis Rear Suspension - Hendrickson Haulmaax		1	
Cummins/Allison Extended Warranties		1	
Additional Wireless Remote & Docking Charger		1	

**PAINT:**

DEBRIS BOOM • SEWER BLUE (PAN 287)			
DEBRIS TANK: • SEWER BLUE (PAN 287)			
FRAME: • STANDARD BLACK (FDG9000)	STANDARD		
SLIDE FRAME: • STANDARD BLACK (FDG9000)	STANDARD		
SPECIAL PAINT: SOLID COLORS		1	
SPECIAL PAINT: METALLIC OR CLEAR COAT	CONTACT FACTORY		

**MANUALS & TRAINING:**

USB OPERATORS MANUAL		1	
ON SITE TRAINING BY FREDRICKSON SUPPLY		1	

**TOTALS:**

Net Price			\$266,520.00
Selected Options			\$79,770.56
Less Sourcewell Discount (3%)			<del>-\$10,388.72</del>
Dealer Stock Western Star Chassis (Tandem w/Cummins X12)			\$161,270.00
Market Adjustment (Sewer Equipment, 10%)			\$33,590.18
Freight & PDI			\$2,000.00
<b>TOTAL</b>			<b>\$532,762.02</b>

SIGNATURE

DATE

Please return a signed copy to [bigequipment@SewerEquipment.com](mailto:bigequipment@SewerEquipment.com)

**Prepared for:**  
John Wichmann  
SEWER EQUIPMENT OF  
AMERICA BB  
1590 DUTCH RD  
DIXON, IL 61021



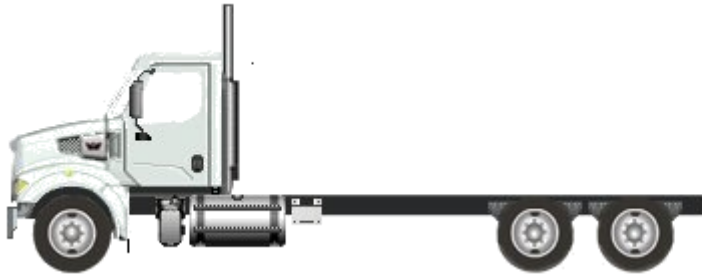
**Prepared by:**  
Andy Ruden  
TRUCK COUNTRY OF IOWA,  
INC.  
3201 HWY 61/151  
DUBUQUE, IA 520039695  
Phone: 563-556-3773

*A proposal for*  
**SEWER EQUIPMENT OF AMERICA BB**

*Prepared by*  
**TRUCK COUNTRY OF IOWA, INC.**  
*Andy Ruden*

*Sep 30, 2022*

**Western Star 47X**



Components shown may not reflect all spec'd options and are not to scale

Application Version 11.7.501  
Data Version PRL-  
27X.014  
80914 X12\_Added  
Bumper\_MY24\_Options



09/30/2022 7:58 AM

Page 1 of 23

Prepared for:  
 John Wichmann  
 SEWER EQUIPMENT OF  
 AMERICA BB  
 1590 DUTCH RD  
 DIXON, IL 61021



Prepared by:  
 Andy Ruden  
 TRUCK COUNTRY OF IOWA,  
 INC.  
 3201 HWY 61/151  
 DUBUQUE, IA 520039695  
 Phone: 563-556-3773

## S P E C I F I C A T I O N   P R O P O S A L

Data Code	Description	Weight Front	Weight Rear
<b>Price Level</b>			
PRL-27X	WST 47X/49X PRL-27X (EFF:MY24 ORDERS)		
<b>Data Version</b>			
DRL-014	SPECPRO21 DATA RELEASE VER 014		
<b>Vehicle Configuration</b>			
001-470	WESTERN STAR 47X	9,050	6,525
004-224	2024 MODEL YEAR SPECIFIED		
002-003	SET FORWARD AXLE - TRUCK	-480	480
019-006	TRAILER TOWING PROVISION AT END OF FRAME WITH SAE J560	10	10
003-001	LH PRIMARY STEERING LOCATION		
<b>General Service</b>			
AA1-003	TRUCK/TRAILER CONFIGURATION		
AA6-002	DOMICILED, USA (EXCLUDING CALIFORNIA AND CARB OPT-IN STATES)		
A85-010	UTILITY/REPAIR/MAINTENANCE SERVICE		
A84-1UT	UTILITY BUSINESS SEGMENT		
AA4-013	MOIST BULK COMMODITY		
AA5-002	TERRAIN/DUTY: 100% (ALL) OF THE TIME, IN TRANSIT, IS SPENT ON PAVED ROADS		
AB1-008	MAXIMUM 8% EXPECTED GRADE		
AB5-001	SMOOTH CONCRETE OR ASPHALT PAVEMENT - MOST SEVERE IN-TRANSIT (BETWEEN SITES) ROAD SURFACE		
995-1A5	WESTERN STAR VOCATIONAL WARRANTY		
A66-99D	EXPECTED FRONT AXLE(S) LOAD : 20000.0 lbs		
A68-99D	EXPECTED REAR DRIVE AXLE(S) LOAD : 46000.0 lbs		
A63-99D	EXPECTED GROSS VEHICLE WEIGHT CAPACITY : 66000.0 lbs		

Application Version 11.7.501  
 Data Version PRL-  
 27X.014  
 80914 X12\_Added  
 Bumper\_MY24\_Options



09/30/2022 7:58 AM

Prepared for:  
 John Wichmann  
 SEWER EQUIPMENT OF  
 AMERICA BB  
 1590 DUTCH RD  
 DIXON, IL 61021



Prepared by:  
 Andy Ruden  
 TRUCK COUNTRY OF IOWA,  
 INC.  
 3201 HWY 61/151  
 DUBUQUE, IA 520039695  
 Phone: 563-556-3773

Data Code	Description	Weight Front	Weight Rear
A70-99D	EXPECTED GROSS COMBINATION WEIGHT : 80000.0 lbs		
<b>Truck Service</b>			
AA3-034	SEWER/INDUSTRIAL VACUUM BODY		
AF3-2AA	SEWER EQUIPMENT COMPANY		
<b>Tractor Service</b>			
AA2-003	TANK TRAILER		
AH6-001	SINGLE (1) TRAILER		
<b>Engine</b>			
101-26J	CUM X12 455V HP @ 1900 RPM, 1550 LB-FT @ 1000 RPM, 2000 GOV RPM, VOC	-390	-45
<b>Electronic Parameters</b>			
	79A-065	65 MPH ROAD SPEED LIMIT	
	79B-000	CRUISE CONTROL SPEED LIMIT SAME AS ROAD SPEED LIMIT	
	79K-020	PTO MODE ENGINE RPM LIMIT - 1700 RPM	
	79P-011	PTO RPM WITH CRUISE SET SWITCH - 825 RPM	
	79Q-014	PTO RPM WITH CRUISE RESUME SWITCH - 825 RPM	
	79U-008	PTO GOVERNOR RAMP RATE - 300 RPM PER SECOND	
	79V-001	FUEL DOSING OF AFTERTREATMENT ENABLED IN PTO MODE-CLEANS HYDROCARBONS AT HIGH TEMPERATURES ONLY	
	79W-003	THREE REMOTE PTO SPEEDS	
	79X-021	PTO SPEED 1 SETTING - 825 RPM	
	79Y-009	PTO SPEED 2 SETTING - 1400 RPM	
N	79Z-006	PTO SPEED 3 SETTING - 1700 RPM	
	80G-006	PTO MINIMUM RPM - 825	
	80L-004	ENABLE DPF REGEN STAY WARM	
	80S-001	PTO 1, DASH SWITCH, STATIONARY OPERATION	
*	80V-004	ENGINE MOUNT PTO, TEM SUPPLIED REQUEST, INTERLOCKS	
	80V-005:	ENGINE MOUNT PTO, TEM SUPPLIED REQUEST	
<b>Engine Equipment</b>			
	99C-021	2010 EPA/CARB/GHG21 CONFIGURATION	
	99D-010	NO 2008 CARB EMISSION CERTIFICATION	
	13E-001	STANDARD OIL PAN	



Prepared for:  
 John Wichmann  
 SEWER EQUIPMENT OF  
 AMERICA BB  
 1590 DUTCH RD  
 DIXON, IL 61021



Prepared by:  
 Andy Ruden  
 TRUCK COUNTRY OF IOWA,  
 INC.  
 3201 HWY 61/151  
 DUBUQUE, IA 520039695  
 Phone: 563-556-3773

Data Code	Description	Weight Front	Weight Rear
105-001	ENGINE MOUNTED OIL CHECK AND FILL		
014-115	SIDE OF HOOD AIR INTAKE WITH ENGINE MOUNTED HIGH CAPACITY AIR CLEANER AND PASSIVE PRECLEANER	10	
124-1E1	DR 12V 200 AMP 28-SI QUADRAMOUNT PAD ALTERNATOR WITH REMOTE BATTERY VOLT SENSE	-10	
292-236	(3) DTNA GENUINE, FLOODED STARTING, MIN 3000CCA, 555RC, THREADED STUD BATTERIES	-10	
290-1CD	BATTERY BOX WITH ALUMINUM COVER MOUNTED SHORT SIDE TO RAIL	-50	10
282-003	SINGLE BATTERY BOX FRAME MOUNTED LH SIDE BACK OF CAB		
291-017	WIRE GROUND RETURN FOR BATTERY CABLES WITH ADDITIONAL FRAME GROUND RETURN		
289-021	POLISHED ALUMINUM WST BATTERY BOX COVER		
293-058	POSITIVE LOAD DISCONNECT WITH CAB MOUNTED CONTROL SWITCH MOUNTED OUTBOARD DRIVER SEAT	2	
295-029	POSITIVE AND NEGATIVE POSTS FOR JUMPSTART LOCATED ON FRAME NEXT TO STARTER	2	
306-015	PROGRESSIVE LOW VOLTAGE DISCONNECT AT 12.3 VOLTS FOR DESIGNATED CIRCUITS	2	
107-048	CUMMINS NATURALLY ASPIRATED 25.9 CFM AIR COMPRESSOR WITH INTERNAL SAFETY VALVE		
152-041	ELECTRONIC ENGINE INTEGRAL SHUTDOWN PROTECTION SYSTEM		
128-004	CUMMINS INTEBRAKE BRAKE WITH HIGH MED LOW BRAKE		
016-1C2	RH OUTBOARD UNDER STEP MOUNTED HORIZONTAL AFTERTREATMENT SYSTEM ASSEMBLY WITH RH B-PILLAR MOUNTED VERTICAL TAILPIPE		
28F-015	ENGINE AFTERTREATMENT DEVICE, AUTOMATIC OVER THE ROAD ACTIVE REGENERATION AND VIRTUAL REGENERATION REQUEST SWITCH IN CLUSTER AND DASH MOUNTED INHIBIT SWITCH		
239-032	11 FOOT 00 INCH (132 INCH+0/-5.9 INCH) EXHAUST SYSTEM HEIGHT		
237-119	RH CURVED VERTICAL TAILPIPE B-PILLAR MOUNTED BEHIND CAB FOR IMPROVED VISIBILITY		



Prepared for:  
 John Wichmann  
 SEWER EQUIPMENT OF  
 AMERICA BB  
 1590 DUTCH RD  
 DIXON, IL 61021



Prepared by:  
 Andy Ruden  
 TRUCK COUNTRY OF IOWA,  
 INC.  
 3201 HWY 61/151  
 DUBUQUE, IA 520039695  
 Phone: 563-556-3773

Data Code	Description	Weight Front	Weight Rear
23U-002	13 GALLON DIESEL EXHAUST FLUID TANK	9	3
23Z-006	POLISHED ALUMINUM WST DIESEL EXHAUST FLUID TANK COVER		
43X-001	LH HEAVY DUTY STANDARD DIESEL EXHAUST FLUID TANK LOCATION		
43Y-001	STANDARD DIESEL EXHAUST FLUID TANK CAP		
242-001	STAINLESS STEEL AFTERTREATMENT DEVICE/MUFFLER/TAILOPIPE SHIELD		
273-059	ELECTRONICALLY CONTROLLED VARIABLE SPEED VISCOUS FAN DRIVE		
276-002	AUTOMATIC FAN CONTROL WITH DASH SWITCH AND INDICATOR LIGHT, NON ENGINE MOUNTED		
122-1H3	DETROIT FUEL/WATER SEPARATOR WITH WATER IN FUEL SENSOR	10	
110-003	CUMMINS SPIN ON FUEL FILTER		
118-008	COMBINATION FULL FLOW/BYPASS OIL FILTER		
266-109	1400 SQUARE INCH VOCATIONAL RADIATOR WITH PROTECTION PACKAGE	20	
103-039	ANTIFREEZE TO -34F, OAT (NITRITE AND SILICATE FREE) EXTENDED LIFE COOLANT		
171-007	GATES BLUE STRIPE COOLANT HOSES OR EQUIVALENT		
270-016	RADIATOR DRAIN VALVE		
173-014	TRAILER HEATER PLUMBING FROM ENGINE TO BACK OF CAB WITH BALL SHUTOFF VALVES INSIDE RIGHT HAND RAIL	32	
* 168-002	LOWER RADIATOR GUARD 165-998; DELETE		
360-013	1350 ADAPTER FLANGE FOR FRONT PTO PROVISION	20	
361-017	FLYWHEEL PTO, STANDARD GEARS, FOR REMOTE MOUNTED PUMP, CLOCKWISE ROTATION, AS VIEWED FROM REAR OF VEHICLE	50	10
138-005	PHILLIPS-TEMRO 1500 WATT/115 VOLT BLOCK HEATER	4	
166-005	PHILLIPS-TEMRO 300 WATT/115 VOLT OIL PREHEATER	4	
140-022	CHROME ENGINE HEATER RECEPTACLE MOUNTED UNDER LH DOOR		
155-055	DELCO 12V 39MT HD/OCP STARTER WITH THERMAL PROTECTION AND INTEGRATED MAGNETIC SWITCH	-45	



Prepared for:  
 John Wichmann  
 SEWER EQUIPMENT OF  
 AMERICA BB  
 1590 DUTCH RD  
 DIXON, IL 61021



Prepared by:  
 Andy Ruden  
 TRUCK COUNTRY OF IOWA,  
 INC.  
 3201 HWY 61/151  
 DUBUQUE, IA 520039695  
 Phone: 563-556-3773

Data Code	Description	Weight Front	Weight Rear
<b>Transmission</b>			
342-1M3	ALLISON 4500 RDS AUTOMATIC TRANSMISSION WITH PTO PROVISION		
<b>Transmission Equipment</b>			
343-339	ALLISON VOCATIONAL PACKAGE 223 - AVAILABLE ON 3000/4000 PRODUCT FAMILIES WITH VOCATIONAL MODELS RDS, HS, MH AND TRV		
84B-012	ALLISON VOCATIONAL RATING FOR ON/OFF HIGHWAY APPLICATIONS AVAILABLE WITH ALL PRODUCT FAMILIES		
84C-023	PRIMARY MODE GEARS, LOWEST GEAR 1, START GEAR 1, HIGHEST GEAR 6, AVAILABLE FOR 3000/4000 PRODUCT FAMILIES ONLY		
84D-023	SECONDARY MODE GEARS, LOWEST GEAR 1, START GEAR 1, HIGHEST GEAR 6, AVAILABLE FOR 3000/4000 PRODUCT FAMILIES ONLY		
84E-017	S5 PERFORMANCE LIMITING PRIMARY SHIFT SCHEDULE, AVAILABLE FOR 3000/4000 PRODUCT FAMILIES ONLY		
84F-018	S7 ECONOMY LIMITING SECONDARY SHIFT SCHEDULE, AVAILABLE FOR 3000/4000 PRODUCT FAMILIES ONLY		
84G-010	1900 RPM PRIMARY MODE SHIFT SPEED		
84H-010	1900 RPM SECONDARY MODE SHIFT SPEED		
84N-200	FUEL SENSE 2.0 DISABLED - PERFORMANCE - TABLE BASED		
84V-001	DIRECTION CHANGE ENABLED WITH MULTIPLEXED SERVICE BRAKES - ALLISON 5TH GEN TRANSMISSIONS		
85E-010	MAXIMUM ENGINE SPEED FOR PTO ENGAGEMENT 950 RPM		
85F-029	MAXIMUM ENGINE SPEED FOR PTO OPERATION 1750 RPM		
353-073	QUICKFIT BODY LIGHTING CONNECTOR UNDER CAB, WITH CAP		
34C-011	ELECTRONIC TRANSMISSION WIRING TO CUSTOMER INTERFACE CONNECTOR		
362-823	CUSTOMER INSTALLED CHELSEA 280 SERIES PTO		
363-001	PTO MOUNTING, LH SIDE OF MAIN TRANSMISSION ALLISON		





Prepared for:  
 John Wichmann  
 SEWER EQUIPMENT OF  
 AMERICA BB  
 1590 DUTCH RD  
 DIXON, IL 61021



Prepared by:  
 Andy Ruden  
 TRUCK COUNTRY OF IOWA,  
 INC.  
 3201 HWY 61/151  
 DUBUQUE, IA 520039695  
 Phone: 563-556-3773

Data Code	Description	Weight Front	Weight Rear
341-018	MAGNETIC PLUGS, ENGINE DRAIN, TRANSMISSION DRAIN, AXLE(S) FILL AND DRAIN		
345-078	HEAVY DUTY ELECTRONIC TRANSMISSION SHIFT CONTROL, COLUMN MOUNTED		
370-006	WATER TO OIL TRANSMISSION COOLER		
346-003	TRANSMISSION OIL CHECK AND FILL WITH ELECTRONIC OIL LEVEL CHECK		
35T-001	SYNTHETIC TRANSMISSION FLUID (TES-295 COMPLIANT)		

### Front Axle and Equipment

400-1BB	DETROIT DA-F-20.0-5 20,000# FL1 71.0 KPI/3.74 DROP SINGLE FRONT AXLE	190	
418-060	CONMET PRESET PLUS PREMIUM IRON FRONT HUBS	20	
402-030	MERITOR 16.5X6 Q+ CAST SPIDER CAM FRONT BRAKES, DOUBLE ANCHOR, FABRICATED SHOES	10	
403-002	NON-ASBESTOS FRONT BRAKE LINING		
419-014	MERITOR STEELLITE X30 FRONT BRAKE DRUMS	-40	
427-001	FRONT BRAKE DUST SHIELDS	5	
409-006	FRONT OIL SEALS		
408-001	VENTED FRONT HUB CAPS WITH WINDOW, CENTER AND SIDE PLUGS - OIL		
405-002	MERITOR AUTOMATIC FRONT SLACK ADJUSTERS		
536-104	DUAL POWER STEERING GEARS, BENDIX 16-20K	80	
534-003	4 QUART POWER STEERING RESERVOIR	5	
533-001	OIL/AIR POWER STEERING COOLER	5	
40T-002	CURRENT AVAILABLE SYNTHETIC 75W-90 FRONT AXLE LUBE		

### Front Suspension

620-006	20,000# FLAT LEAF FRONT SUSPENSION	250	
619-002	THREADED SPRING PINS AND BUSHINGS - FRONT SUSPENSION		
410-001	FRONT SHOCK ABSORBERS		

### Rear Axle and Equipment

420-236	RT-46-164 46,000# R-SERIES 78 INCH WIDE TRACK TANDEM REAR AXLE		620
---------	--	--	-----



Prepared for:  
 John Wichmann  
 SEWER EQUIPMENT OF  
 AMERICA BB  
 1590 DUTCH RD  
 DIXON, IL 61021



Prepared by:  
 Andy Ruden  
 TRUCK COUNTRY OF IOWA,  
 INC.  
 3201 HWY 61/151  
 DUBUQUE, IA 520039695  
 Phone: 563-556-3773

Data Code	Description	Weight Front	Weight Rear
450-058	CONMET PRESET PLUS PREMIUM ALUMINUM REAR HUBS		
421-489	4.89 REAR AXLE RATIO		
424-001	IRON REAR AXLE CARRIER WITH STANDARD AXLE HOUSING		
386-074	MXL 176T MERITOR EXTENDED LUBE MAIN DRIVELINE WITH HALF ROUND YOKES	30	30
388-073	MXL 17T MERITOR EXTENDED LUBE INTERAXLE DRIVELINE WITH HALF ROUND YOKES		
452-006	DRIVER CONTROLLED TRACTION DIFFERENTIAL - BOTH TANDEM REAR AXLES		30
878-022	(1) INTERAXLE LOCK VALVE, (1) DRIVER CONTROLLED DIFFERENTIAL LOCK FORWARD-REAR AXLE VALVE AND (1) REAR-REAR AXLE VALVE		
87A-005	INDICATOR LIGHT FOR EACH INTERAXLE LOCKOUT SWITCH		
87B-008	INDICATOR LIGHT FOR EACH DIFFERENTIAL LOCKOUT SWITCH		
423-020	MERITOR 16.5X7 Q+ CAST SPIDER CAM REAR BRAKES, DOUBLE ANCHOR, FABRICATED SHOES		
433-002	NON-ASBESTOS REAR BRAKE LINING		
434-003	STANDARD BRAKE CHAMBER LOCATION		
451-023	CONMET CAST IRON REAR BRAKE DRUMS		
425-002	REAR BRAKE DUST SHIELDS		10
440-006	REAR OIL SEALS		
426-1B3	BENDIX EVERSURE LONGSTROKE 2-DRIVE AXLES SPRING PARKING CHAMBERS		
428-031	HALDEX AUTOMATIC REAR SLACK ADJUSTERS WITH STAINLESS STEEL CLEVIS PINS		
41T-002	CURRENT AVAILABLE SYNTHETIC 75W-90 REAR AXLE LUBE		
42T-001	STANDARD REAR AXLE BREATHER(S)		

**Rear Suspension**

622-313	HENDRICKSON HAULMAAX EX 52,000# REAR SUSPENSION		180
621-111	10.8 INCH NOMINAL RIDE HEIGHT (490MM GLOBAL REFERENCE HEIGHT)		
624-009	54 INCH AXLE SPACING		
628-010	HENDRICKSON HN, HAULMAAX AND ULTIMAAX SERIES STEEL BEAMS WITH BAR PIN		
623-006	FORE/AFT AND TRANSVERSE CONTROL RODS		



Prepared for:  
 John Wichmann  
 SEWER EQUIPMENT OF  
 AMERICA BB  
 1590 DUTCH RD  
 DIXON, IL 61021



Prepared by:  
 Andy Ruden  
 TRUCK COUNTRY OF IOWA,  
 INC.  
 3201 HWY 61/151  
 DUBUQUE, IA 520039695  
 Phone: 563-556-3773

Data Code	Description	Weight Front	Weight Rear
625-008	DOUBLE REBOUND STRAP - INBOARD AND OUTBOARD		13
439-998	NO REAR SHOCK ABSORBERS		-30

### Brake System

490-1AV	WABCO 6S/6M ABS WITH TRACTION CONTROL WITH ATC SHUT OFF SWITCH		
871-001	REINFORCED NYLON, FABRIC BRAID AND WIRE BRAID CHASSIS AIR LINES		
432-003	RELAY VALVE WITH 5-8 PSI CRACK PRESSURE, NO REAR PROPORTIONING VALVE		
480-088	WABCO SYSTEM SAVER HP WITH INTEGRAL AIR GOVERNOR AND HEATER		
483-004	WABCO OIL COALESCING FILTER FOR AIR DRYER		
479-015	AIR DRYER FRAME MOUNTED		
460-040	STEEL AIR BRAKE RESERVOIRS MOUNTED PERPENDICULAR TO OUTSIDE RAIL	10	10
477-001	PULL CABLE ON WET TANK, PETCOCK DRAIN VALVES ON ALL OTHER AIR TANKS		

### Trailer Connections

296-010	PRIMARY CONNECTOR/RECEPTACLE WIRED FOR SEPARATE STOP/TURN, ABS CENTER PIN POWERED THROUGH IGNITION		
303-025	SAE J560 7-WAY PRIMARY TRAILER CABLE RECEPTACLE MOUNTED END OF FRAME		
* 30K-011	2-WAY HEAVY DUTY 90 AMP RECEPTACLE WIRED HOT, MOUNTED WITH PRIMARY RECEPTACLE		
	LOCATE BOC, NOT AT EOF WITH PRIMARY RECEPTACLE		

### Wheelbase & Frame

545-149	6940MM (273 INCH) WHEELBASE, SFA ONLY		
546-107	15.0MM X 89.0MM X 315.0MM STEEL FRAME (0.59X3.5X12.4 INCH) 120 KSI	960	520
552-038	1800MM (71 INCH) REAR FRAME OVERHANG		
55W-007	FRAME OVERHANG RANGE: 71 INCH TO 80 INCH	-50	180
* 549-044	20 INCH INTEGRAL FRONT FRAME EXTENSION	120	
	549-102: WITH NO BUMPER NOTCH		
AC8-99D	CALC'D BACK OF CAB TO REAR SUSP C/L (CA) : 191.73 in		
AE4-99D	CALC'D FRAME LENGTH - OVERALL : 392.73 in		



Prepared for:  
 John Wichmann  
 SEWER EQUIPMENT OF  
 AMERICA BB  
 1590 DUTCH RD  
 DIXON, IL 61021



Prepared by:  
 Andy Ruden  
 TRUCK COUNTRY OF IOWA,  
 INC.  
 3201 HWY 61/151  
 DUBUQUE, IA 520039695  
 Phone: 563-556-3773

Data Code	Description	Weight Front	Weight Rear
ZF1-99D	FRAME HEIGHT TOP FRONT UNLADEN : 45.28 in		
ZF2-99D	FRAME HEIGHT TOP FRONT LADEN : 41.86 in		
ZF3-99D	FRAME HEIGHT TOP REAR UNLADEN : 44.65 in		
ZF4-99D	FRAME HEIGHT TOP REAR LADEN : 42.36 in		
553-001	SQUARE END OF FRAME		
559-001	STANDARD WEIGHT ENGINE CROSSMEMBER		
* 561-007	HEAVY DUTY BACK OF TRANSMISSION CROSSMEMBER	10	
	561-026: 5 PIECE BOLTED BACK OF TRANSMISSION CROSSMEMBER		
562-063	STANDARD CAST ALUMINUM MIDSHIP		
572-082	STANDARD CAST ALUMINUM REARMOST CROSSMEMBER		
565-001	STANDARD SUSPENSION CROSSMEMBER		20
568-012	CAST ALUMINUM REAR SUSPENSION CROSSMEMBER		

### Chassis Equipment

025-002	POLISHED ALUMINUM WST EQUIPMENT COVERS		
556-127	BRIGHT STEEL 1/8 INCH VOCATIONAL BUMPER		
558-998	NO FRONT TOW HOOKS	-15	
574-001	BUMPER MOUNTING FOR SINGLE LICENSE PLATE		
551-032	CLASS 10.9 THREADED METRIC FASTENERS; REAR SUSPENSION HANGER TO BE HUCK-SPIN		
44Z-002	EXTERIOR HARNESES WRAPPED IN ABRASION TAPE		
605-1AB	D15-16004-000 CENTER PUNCH TO MARK CENTERLINE OF REAR SUSPENSION ON FRAME WEB		
928-007	RIGHT HAND SIDE HEAVY DUTY BRACKETS REQUIRED		
* 606-800	DRILLING PREP FOR CUSTOMER INSTALLED BODY/EQUIPMENT		
	606-148: DRILLING PREP FOR SEWER EQUIPMENT PER DRAWING 80800-02-V REVISION C 8-13-21		

### Fuel Tanks

204-156	100 GALLON/378 LITER ALUMINUM FUEL TANK - LH	10	10
218-006	25 INCH DIAMETER FUEL TANK(S)		
215-006	POLISHING OF FUEL/HYDRAULIC TANK(S) WITH POLISHED STAINLESS STEEL BANDS		
212-007	FUEL TANK(S) FORWARD		



Prepared for:  
 John Wichmann  
 SEWER EQUIPMENT OF  
 AMERICA BB  
 1590 DUTCH RD  
 DIXON, IL 61021



Prepared by:  
 Andy Ruden  
 TRUCK COUNTRY OF IOWA,  
 INC.  
 3201 HWY 61/151  
 DUBUQUE, IA 520039695  
 Phone: 563-556-3773

	Data Code	Description	Weight Front	Weight Rear
	664-001	PLAIN STEP FINISH		
	205-002	CHROME FUEL TANK CAP(S)		
	216-020	EQUIFLO INBOARD FUEL SYSTEM		
	20E-004	AUXILIARY FUEL SUPPLY AND RETURN PORTS LOCATED ON LH FUEL TANK		
	202-016	HIGH TEMPERATURE REINFORCED NYLON FUEL LINE		
<b>Tires</b>				
	093-0TB	MICHELIN XZY-3 425/65R22.5 20 PLY RADIAL FRONT TIRES	196	
	094-1YV	CONTINENTAL HDC3 11R22.5 16 PLY RADIAL REAR TIRES		192
<b>Wheels</b>				
N	502-753	MAXION WHEELS 91262 22.5X8.25 10-HUB PILOT 6.20 INSET 5-HAND STEEL DISC FRONT WHEELS	10	
	505-753	MAXION WHEELS 91262 22.5X8.25 10-HUB PILOT 5-HAND STEEL DISC REAR WHEELS		40
	496-011	FRONT WHEEL MOUNTING NUTS		
	497-011	REAR WHEEL MOUNTING NUTS		
<b>Cab Exterior</b>				
	829-053	111.6 INCH BBC CONVENTIONAL ALUMINUM CAB		
	82A-028	STAINLESS STEEL CAB ACCENT MOLDING		
	667-001	FRONT FENDERS		
	754-017	BOLT-ON MOLDED FLEXIBLE FENDER EXTENSIONS	10	
N	678-066	INTERIOR GRAB HANDLES WITH ADDED LOWER LH AND RH A PILLAR GRAB HANDLES AND LH AND RH EXTERIOR NON-SLIP GRAB HANDLES		
	65X-010	BRIGHT HOOD MOUNTED AIR INTAKE GRILLE, BLACK SCREEN, WITH LED ACCENT LIGHTS		
	640-016	X-SERIES STEEL REINFORCED ALUMINUM CAB		
	644-048	X-SERIES VOCATIONAL HOOD		
	67U-001	HOOD OPENING ASSIST WITH LOCKING STRUT		
	652-016	WESTERN STAR NAMEPLATES		
	727-012	DUAL HADLEY SD-978 26 INCH RECTANGULAR AIR HORNS		
	726-001	SINGLE ELECTRIC HORN		
	575-001	REAR LICENSE PLATE MOUNT END OF FRAME		



Prepared for:  
 John Wichmann  
 SEWER EQUIPMENT OF  
 AMERICA BB  
 1590 DUTCH RD  
 DIXON, IL 61021



Prepared by:  
 Andy Ruden  
 TRUCK COUNTRY OF IOWA,  
 INC.  
 3201 HWY 61/151  
 DUBUQUE, IA 520039695  
 Phone: 563-556-3773

Data Code	Description	Weight Front	Weight Rear
312-095	DUAL STAGE INTELLIGENT LED HEADLIGHTS WITH HEATED LENS SYSTEM		
302-073	VISOR MOUNTED LED MARKER LIGHTS		
311-001	DAYTIME RUNNING LIGHTS		
294-1AY	INTEGRAL LED STOP/TAIL/BACKUP LIGHTS		
300-043	LED SIDE TURN SIGNAL		
744-105	C-BAR MIRROR SYSTEM WITH DUAL HEATED MIRRORS WITH INTEGRAL HEATED CONVEX, DUAL REMOTE, STAINLESS STEEL BACK COVER, AND BRIGHT C-BAR	20	
796-001	102 INCH EQUIPMENT WIDTH		
743-209	LH AND RH CONVEX MIRRORS INTEGRAL WITH PRIMARY MIRRORS		
74A-001	RH DOWN VIEW MIRROR		
* 712-002	CUSTOM NAMEPLATE(S), " _____ "		
	712-008; (2) CUSTOM NAMEPLATES SHIPPED LOOSE. SEWER EQUIPMENT		
729-001	STANDARD SIDE/REAR REFLECTORS		
677-099	POLISHED ALUMINUM WST AFTERTREATMENT SYSTEM COVER		
764-020	STAINLESS STEEL EXTERIOR SUN VISOR WITH INTEGRAL MARKER LIGHTS	16	
768-064	SINGLE SOLAR TINTED REAR WINDOW, (1) 31 INCH X 20 INCH		
663-019	1-PIECE ROPED-IN SOLAR GREEN GLASS WINDSHIELD		
659-006	8 LITER (2 GAL) WINDSHIELD WASHER RESERVOIR, CAB MOUNTED, WITH FLUID LEVEL INDICATOR		

**Cab Interior**

055-015	X-SERIES BASE INTERIOR TRIM LEVEL PACKAGE
707-1C3	CHARCOAL BLACK VINYL BASE LEVEL INTERIOR
70K-016	CARBON WITH BASE BLACK ACCENT
772-035	BLACK MATS WITH ADDED FLOOR HEAT AND NOISE INSULATION
785-015	(1) DASH MOUNTED POWER OUTLET, LIGHTER AND ASH TRAY
691-001	FORWARD ROOF MOUNTED CONSOLE
68L-001	CLEAR INTERIOR BACK WALL SPACE REQUIRED



Prepared for:  
 John Wichmann  
 SEWER EQUIPMENT OF  
 AMERICA BB  
 1590 DUTCH RD  
 DIXON, IL 61021



Prepared by:  
 Andy Ruden  
 TRUCK COUNTRY OF IOWA,  
 INC.  
 3201 HWY 61/151  
 DUBUQUE, IA 520039695  
 Phone: 563-556-3773

Data Code	Description	Weight Front	Weight Rear
693-019	LH AND RH DOOR STORAGE POCKETS INTEGRATED INTO MOLDED DOOR PANELS		
741-015	(2) COAT HOOKS ON BACKWALL OF CAB		
738-021	DIGITAL ALARM CLOCK IN DRIVER DISPLAY		
170-045	STANDARD HEATER PLUMBING WITH BALL SHUTOFF VALVES AT SUPPLY LINES ONLY		
698-001	RADIATOR MOUNTED AIR CONDITIONER CONDENSER		
739-033	STANDARD INSULATION		
324-1B3	STANDARD LED CAB LIGHTING		
787-004	REMOTE KEYLESS ENTRY AND 2 TRANSMITTERS		
657-001	DOOR LOCKS AND IGNITION SWITCH KEYED THE SAME		
78G-004	KEY QUANTITY OF 4		
655-028	LH AND RH ELECTRIC DOOR LOCKS WITH AUTO UNLOCK FEATURE WHEN DOOR IS SET FROM OPEN TO CLOSED POSITION		
64C-002	BRIGHT DOOR HANDLES		
756-1J6	PREMIUM 2.0 HIGH BACK AIR SUSPENSION DRIVER SEAT WITH 2 AIR LUMBAR, INTEGRATED CUSHION EXTENSION, TILT AND ADJUSTABLE SHOCK	20	
760-1J6	PREMIUM 2.0 HIGH BACK AIR SUSPENSION PASSENGER SEAT WITH 2 AIR LUMBAR, INTEGRATED CUSHION EXTENSION, TILT AND ADJUSTABLE SHOCK	40	15
759-007	DUAL DRIVER SEAT ARMRESTS, NO PASSENGER SEAT ARMRESTS		
758-135	BLACK MORDURA CLOTH DRIVER SEAT COVER WITH EMBROIDERED LOGO		
761-135	BLACK MORDURA CLOTH PASSENGER SEAT COVER WITH EMBROIDERED LOGO		
763-1AA	3 POINT ADJUSTABLE D-RING RETRACTOR DRIVER AND FIXED D-RING RETRACTOR PASSENGER SEAT BELTS		
532-002	ADJUSTABLE TILT AND TELESCOPING STEERING COLUMN		
540-044	4-SPOKE 18 INCH (450MM) BLACK STEERING WHEEL WITH SWITCHES		
765-002	DRIVER AND PASSENGER INTERIOR SUN VISORS		

### Instruments & Controls

Application Version 11.7.501  
 Data Version PRL-  
 27X.014  
 80914 X12\_Added  
 Bumper\_MY24\_Options



09/30/2022 7:58 AM

Prepared for:  
 John Wichmann  
 SEWER EQUIPMENT OF  
 AMERICA BB  
 1590 DUTCH RD  
 DIXON, IL 61021



Prepared by:  
 Andy Ruden  
 TRUCK COUNTRY OF IOWA,  
 INC.  
 3201 HWY 61/151  
 DUBUQUE, IA 520039695  
 Phone: 563-556-3773

Data Code	Description	Weight Front	Weight Rear
185-004	STANDARD FOOT PEDAL SYSTEM		
106-002	ELECTRONIC ACCELERATOR CONTROL		
87L-001	ENGINE REMOTE INTERFACE WITH PARK BRAKE INTERLOCK		
870-001	BLACK GAUGE BEZELS		
734-018	STANDARD CENTER INSTRUMENT PANEL		
840-001	DUAL NEEDLE PRIMARY AND SECONDARY AIR PRESSURE GAUGE		
198-003	DASH MOUNTED AIR RESTRICTION INDICATOR WITH GRADUATIONS	2	
721-001	97 DB BACKUP ALARM		3
149-015	ELECTRONIC CRUISE CONTROL WITH CONTROLS ON STEERING WHEEL SPOKES		
156-007	KEY OPERATED IGNITION SWITCH AND INTEGRAL START POSITION; 4 POSITION OFF/RUN/START/ACCESSORY		
157-007	MANUAL REMOTE ENGINE STOP/START WITH PTO RE-ENGAGE		
811-044	PREMIUM INSTRUMENT CLUSTER WITH 5.0 INCH TFT COLOR DISPLAY		
81B-003	DIGITAL PANEL LAMP DIMMER SWITCH IN DRIVER DISPLAY		
160-045	HEAVY DUTY ONBOARD DIAGNOSTICS INTERFACE CONNECTOR WITH DUST CAP LOCATED BELOW LH DASH		
844-001	2 INCH ELECTRIC FUEL GAUGE		
148-072	ENGINE REMOTE INTERFACE WITH MULTIPLE SET SPEEDS		
856-001	ELECTRICAL ENGINE COOLANT TEMPERATURE GAUGE		
854-001	ENGINE OIL TEMPERATURE GAUGE		
852-002	ELECTRIC ENGINE OIL PRESSURE GAUGE		
864-001	2 INCH TRANSMISSION OIL TEMPERATURE GAUGE		
867-004	ELECTRONIC OUTSIDE TEMPERATURE SENSOR DISPLAY IN DRIVER MESSAGE CENTER		
830-031	ENGINE, TRIP AND PTO HOUR METERS INTEGRAL WITHIN DRIVER DISPLAY		
372-123	PTO CONTROLS FOR ENHANCED VEHICLE ELECTRIC/ELECTRONIC ARCHITECTURE		
736-998	NO OBSTACLE DETECTION SYSTEM		
72J-998	NO DR ASSIST SYSTEM		

Application Version 11.7.501  
 Data Version PRL-  
 27X.014  
 80914 X12\_Added  
 Bumper\_MY24\_Options



09/30/2022 7:58 AM



Prepared for:  
 John Wichmann  
 SEWER EQUIPMENT OF  
 AMERICA BB  
 1590 DUTCH RD  
 DIXON, IL 61021



Prepared by:  
 Andy Ruden  
 TRUCK COUNTRY OF IOWA,  
 INC.  
 3201 HWY 61/151  
 DUBUQUE, IA 520039695  
 Phone: 563-556-3773

	Data Code	Description	Weight Front	Weight Rear
	49B-998	NO VEHICLE STABILITY ADVISOR OR CONTROL		
	73B-998	NO LANE DEPARTURE WARNING SYSTEM		
N	35M-010	QUICKFIT PROGRAMMABLE INTERFACE MODULE	10	
	6TS-005	TMC RP1226 ACCESSORY CONNECTOR LOCATED BEHIND PASSENGER SIDE REMOVEABLE DASH PANEL		
	1U1-002	TOP OF DASH RAM MOUNT WITHOUT POWER OR GROUND, FOR CUSTOMER FURNISHED DEVICE		
	746-137	AM/FM/WB WORLD TUNER RADIO WITH BLUETOOTH, USB AND AUXILIARY INPUTS, J1939		
	747-001	DASH MOUNTED RADIO		
	750-041	STANDARD SPEAKER SYSTEM		
	753-045	AM/FM/WB ANTENNA RH SIDE OF CAB	2	
	748-006	POWER AND GROUND WIRING PROVISION OVERHEAD		
	749-001	ROOF/OVERHEAD CONSOLE CB RADIO PROVISION		
	751-001	SINGLE REMOTE SPEAKER WITH LEAD FOR 2-WAY RADIO		
	752-004	SINGLE FIBERGLASS LH MIRROR MOUNTED CB ANTENNA WITH BRACKET AND LEAD		
	810-027	ELECTRONIC MPH SPEEDOMETER WITH SECONDARY KPH SCALE, WITHOUT ODOMETER		
	812-032	ELECTRONIC 2500 RPM TACHOMETER		
	813-1C8	DETROIT CONNECT PLATFORM HARDWARE		
	162-002	IGNITION SWITCH CONTROLLED ENGINE STOP		
	81Y-005	PRE-TRIP INSPECTION FEATURE FOR EXTERIOR LAMPS ONLY		
	842-006	DIGITAL TURBO AIR PRESSURE IN DRIVER DISPLAY		
	836-015	DIGITAL VOLTAGE DISPLAY INTEGRAL WITH DRIVER DISPLAY		
	304-030	ROTARY HEADLAMP SWITCH, MARKER LIGHTS/HEADLIGHTS SWITCH WITH PULL OUT FOR OPTIONAL FOG/ROAD LAMPS		
	882-009	ONE VALVE PARKING BRAKE SYSTEM WITH WARNING INDICATOR		
	299-020	SELF CANCELING TURN SIGNAL SWITCH WITH DIMMER, HEADLAMP FLASH, WASH/WIPE/INTERMITTENT		

Application Version 11.7.501  
 Data Version PRL-  
 27X.014  
 80914 X12\_Added  
 Bumper\_MY24\_Options



09/30/2022 7:58 AM

Prepared for:  
 John Wichmann  
 SEWER EQUIPMENT OF  
 AMERICA BB  
 1590 DUTCH RD  
 DIXON, IL 61021



Prepared by:  
 Andy Ruden  
 TRUCK COUNTRY OF IOWA,  
 INC.  
 3201 HWY 61/151  
 DUBUQUE, IA 520039695  
 Phone: 563-556-3773

	Data Code	Description	Weight Front	Weight Rear
	48H-003	QUICKFIT POWERTRAIN INTERFACE CONNECTOR UNDER CAB WITH CAPS		
N	48C-003	QUICKFIT PROGRAMMABLE INTERFACE CONNECTOR(S) UNDER CAB WITH CAP		

### Design

065-000 PAINT: ONE SOLID COLOR

### Color

980-5F6 CAB COLOR A: L0006EY WHITE ELITE EY  
 986-020 BLACK, HIGH SOLIDS POLYURETHANE CHASSIS PAINT  
 962-972 POWDER WHITE (N0006EA) FRONT WHEELS/RIMS (PKWHT21, TKWHT21, W, TW)  
 966-972 POWDER WHITE (N0006EA) REAR WHEELS/RIMS (PKWHT21, TKWHT21, W, TW)

### Certification / Compliance

996-001 U.S. FMVSS CERTIFICATION, EXCEPT SALES CABS AND GLIDER KITS

### Secondary Factory Options

999-026 FRONT AND/OR REAR TIRE WIDTH EXCEEDS 2.6M (102.4) AND FRAME SLOPE EXCEEDS RECOMMENDED LIMITS; CUSTOMER ADVISED AND ACCEPTS

### Sales Programs

NO SALES PROGRAMS HAVE BEEN SELECTED

## TOTAL VEHICLE SUMMARY

### Weight Summary

	Weight Front	Weight Rear	Total Weight
Factory Weight <sup>+</sup>	10166 lbs	8836 lbs	19002 lbs
Total Weight <sup>+</sup>	10166 lbs	8836 lbs	19002 lbs

### Extended Warranty

Application Version 11.7.501  
 Data Version PRL-27X.014  
 80914 X12\_Added  
 Bumper\_MY24\_Options



09/30/2022 7:58 AM

**Prepared for:**  
John Wichmann  
SEWER EQUIPMENT OF  
AMERICA BB  
1590 DUTCH RD  
DIXON, IL 61021



**Prepared by:**  
Andy Ruden  
TRUCK COUNTRY OF IOWA,  
INC.  
3201 HWY 61/151  
DUBUQUE, IA 520039695  
Phone: 563-556-3773

WAI-5UN CUM 2017 X12 HT1 TR TOW 5 YEARS /100,000 MILES / 161,000 KM  
EXTENDED WARRANTY. FEX APPLIES.

WAX-159 CUM EPA 2017 X12: AT3 5 YEARS / 100,000 MILES / 161,000 KM  
AFTERTREATMENT. FEX APPLIES.

WAK-140 ALLISON 4500 RDS SERIES TRANSMISSION EXTENDED  
WARRANTY, 5 YEARS/UNLIMITED MILES FEX

(+) Weights shown are estimates only.  
If weight is critical, contact Customer Application Engineering.

(\*\*\*) All cost increases for major components (Engines, Transmissions, Axles, Front and Rear Tires) and government mandated requirements, tariffs, and raw material surcharges will be passed through and added to factory invoices.

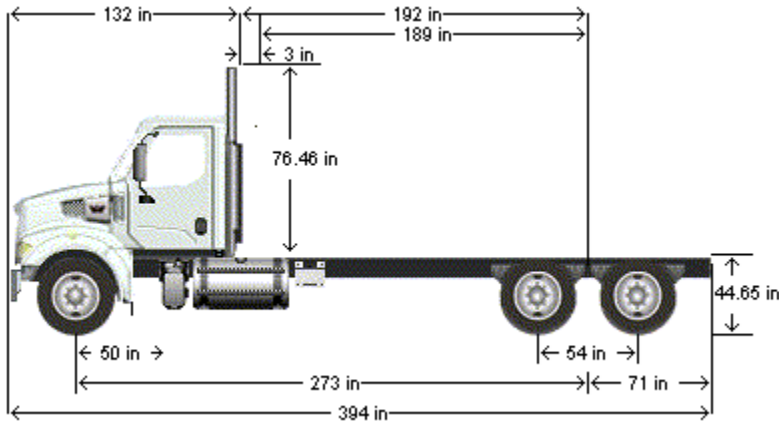


Prepared for:  
 John Wichmann  
 SEWER EQUIPMENT OF  
 AMERICA BB  
 1590 DUTCH RD  
 DIXON, IL 61021



Prepared by:  
 Andy Ruden  
 TRUCK COUNTRY OF IOWA,  
 INC.  
 3201 HWY 61/151  
 DUBUQUE, IA 520039695  
 Phone: 563-556-3773

## D I M E N S I O N S



## VEHICLE SPECIFICATIONS SUMMARY - DIMENSIONS

Model .....	47X
Wheelbase (545) .....	6940MM (273 INCH) WHEELBASE, SFA ONLY
Rear Frame Overhang (552) .....	1800MM (71 INCH) REAR FRAME OVERHANG
Fifth Wheel (578) .....	NO FIFTH WHEEL
Mounting Location (577) .....	NO FIFTH WHEEL LOCATION
Maximum Forward Position (in) .....	0
Maximum Rearward Position (in) .....	0
Amount of Slide Travel (in) .....	0
Slide Increment (in) .....	0
Desired Slide Position (in) .....	0.0
Cab Size (829) .....	111.6 INCH BBC CONVENTIONAL ALUMINUM CAB
Sleeper (682) .....	NO SLEEPER BOX/SLEEPERCAB
Exhaust System (016) .....	RH OUTBOARD UNDER STEP MOUNTED HORIZONTAL AFTERTREATMENT SYSTEM ASSEMBLY WITH RH B-PILLAR MOUNTED VERTICAL TAILPIPE

## TABLE SUMMARY - DIMENSIONS



**Prepared for:**  
 John Wichmann  
 SEWER EQUIPMENT OF  
 AMERICA BB  
 1590 DUTCH RD  
 DIXON, IL 61021



**Prepared by:**  
 Andy Ruden  
 TRUCK COUNTRY OF IOWA,  
 INC.  
 3201 HWY 61/151  
 DUBUQUE, IA 520039695  
 Phone: 563-556-3773

Dimensions	Inches
Bumper to Back of Cab (BBC)	131.6
Bumper to Centerline of Front Axle (BA)	50.1
Front Axle to Back of Cab (AC)	81.5
Min. Cab to Body Clearance (CB)	3.0
Back of Cab to Centerline of Rear Axle(s) (CA)	191.7
Effective Back of Cab to Centerline of Rear Axle(s) (Effective CA)	188.7
Back of Cab Protrusions (Exhaust/Intake) (CP)	2.0
Back of Cab Protrusions (Side Extenders/Trim Tab) (CP)	0.0
Back of Cab Protrusions (CNG Tank)	0.0
Back of Cab Clearance (CL)	3.0
Back of Cab to End of Frame	262.6
Cab Height (CH)	76.5
Wheelbase (WB)	273.2
Frame Overhang (OH)	70.9
Overall Frame Length	392.7
Overall Length (OAL)	394.3
Rear Axle Spacing	54.0
Unladen Frame Height at Centerline of Rear Axle	44.6

Performance calculations are estimates only. If performance calculations are critical, please contact Customer Application Engineering.

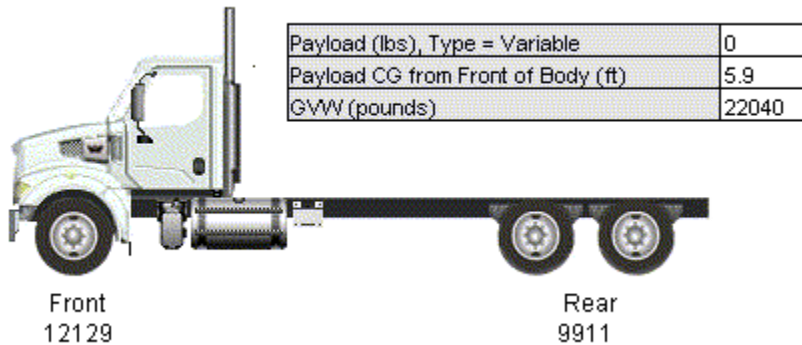


Prepared for:  
 John Wichmann  
 SEWER EQUIPMENT OF  
 AMERICA BB  
 1590 DUTCH RD  
 DIXON, IL 61021



Prepared by:  
 Andy Ruden  
 TRUCK COUNTRY OF IOWA,  
 INC.  
 3201 HWY 61/151  
 DUBUQUE, IA 520039695  
 Phone: 563-556-3773

## TRUCK WEIGHT



## VEHICLE SPECIFICATIONS SUMMARY - TRUCK WEIGHT

Model .....	47X
Cab Size (829).....	111.6 INCH BBC CONVENTIONAL ALUMINUM CAB
Expected Front Axle(s) Load (lbs).....	20000.0
Expected Pusher Axle(s) Load (lbs).....	0.0
Expected Rear Axle(s) Load (lbs).....	46000.0
Expected Tag Axle(s) Load (lbs).....	0.0
Expected GVW (lbs) .....	66000
Expected GCW (lbs).....	80000.0
Wheelbase (545) .....	6940MM (273 INCH) WHEELBASE, SFA ONLY
Pusher / Tag Axle (443).....	NO PUSHER OR TAG AXLE
Front Axle to Back of Cab (in).....	81.496
Cab to Body Clearance (in).....	3.0
Front Axle to Body (in).....	84.496
Truck Configuration (AA3) .....	SEWER/INDUSTRIAL VACUUM BODY
Body Length (ft) .....	11.8
Body Weight (lbs) .....	1700.0
Body Horiz CG from Body Front (ft) .....	5.5
Body Front to Rear Axle(s) CL (ft).....	15.73
Driver Weight (lbs).....	500.0
Driver Horizontal CG from Front Axle (in).....	-6.508000000000002
Left-Hand Primary Fuel/Hydraulic Tank (204).....	100 GALLON/378 LITER ALUMINUM FUEL TANK - LH
Left Fuel Tank Horizontal CG (in).....	54.362
Right-Hand Primary Fuel/Hydraulic Tank (206).....	NO RH FUEL TANK



Prepared for:  
 John Wichmann  
 SEWER EQUIPMENT OF  
 AMERICA BB  
 1590 DUTCH RD  
 DIXON, IL 61021



Prepared by:  
 Andy Ruden  
 TRUCK COUNTRY OF IOWA,  
 INC.  
 3201 HWY 61/151  
 DUBUQUE, IA 520039695  
 Phone: 563-556-3773

Right Fuel Tank Horizontal CG (in) ..... 0

**TABLE SUMMARY - TRUCK WEIGHT**

Item	Front(s)	Rear(s)	Total
Chassis Tare	10166	8836	19002
Fuel / Oil	687	151	838
Driver	512	-12	500
Dealer Installed Options	0	0	0
Accessories Total	0	0	0
Body Tare	764	936	1700
<b>Truck Tare Weight</b>	<b>12129</b>	<b>9911</b>	<b>22040</b>
Payload Total	0	0	0
<b>Calculated Axle Loads</b>	<b>12129</b>	<b>9911</b>	<b>22040</b>
Expected Axle Loads / GVW	20000	46000	80000
GAWR / GVWR	14800	46000	60800
Payload CG From Front of Body		5.9 feet	
Payload CG From Front Axle		12.9 feet	
Payload Distribution		Variable	
All weights displayed in pounds			

Item	Front(s)	Rear(s)	Total
Chassis Tare	10166	8836	19002
Fuel / Oil	687	151	838
Driver	512	-12	500
Dealer Installed Options	0	0	0
Accessories Total	0	0	0
Body Tare	764	936	1700
<b>Truck Tare Weight</b>	<b>12129</b>	<b>9911</b>	<b>22040</b>
Payload Total	0	0	0
<b>Calculated Axle Loads</b>	<b>12129</b>	<b>9911</b>	<b>22040</b>
Expected Axle Loads / GVW	20000	46000	80000
GAWR / GVWR	14800	46000	60800
Payload CG From Front of Body		5.9 feet	
Payload CG From Front Axle		12.9 feet	
Payload Distribution		Variable	
All weights displayed in pounds			



**Prepared for:**  
John Wichmann  
SEWER EQUIPMENT OF  
AMERICA BB  
1590 DUTCH RD  
DIXON, IL 61021



**Prepared by:**  
Andy Ruden  
TRUCK COUNTRY OF IOWA,  
INC.  
3201 HWY 61/151  
DUBUQUE, IA 520039695  
Phone: 563-556-3773

Performance calculations are estimates only. If performance calculations are critical, please contact Customer Application Engineering.

