

CITY OF ANN ARBOR
INVITATION TO BID

COPY



2022 Utility Infrastructure Materials

ITB No. 4715

Due Date: May 10, 2022 at 10:00 AM (Local Time)

Public Services/Public Works

Issued By:

City of Ann Arbor
Procurement Unit
301 E. Huron Street
Ann Arbor, MI 48104

TABLE OF CONTENTS

INSTRUCTIONS TO BIDDERS	3
INVITATION TO BID	7
SPECIFICATIONS	9
BID FORM	15
GENERAL CONDITIONS	43

ATTACHMENTS

City of Ann Arbor Standard Purchase Order Terms and Conditions

City of Ann Arbor Vendor Conflict of Interest Disclosure Form

City of Ann Arbor Non-Discrimination Ordinance Declaration Form and Notice

INSTRUCTIONS TO BIDDERS

General

The City of Ann Arbor's Procurement Office is soliciting bids for the purchase of utility infrastructure materials based on the specifications provided herein. The pricing provided for this ITB shall be firm for one (1) year.

Any Bid which does not conform fully to these instructions may be rejected.

Preparation of Bids

Bids should be prepared providing a straight-forward, concise description of the Bidder's ability to meet the requirements of the ITB. Bids shall be written in ink or typewritten. No erasures are permitted. Mistakes may be crossed out and corrected and must be initialed and dated in ink by the person signing the Bid.

Bids must be submitted on the "Bid Forms" provided with each blank properly filled in. If forms are not fully completed it may disqualify the bid. No alternative bid will be considered unless alternative bids are specifically requested. If alternatives are requested, any deviation from the specification must be fully described, in detail on a clearly marked "Alternate" section of Bid form.

Each person signing the Bid certifies that he/she is the person in the Bidder's firm/organization responsible for the decision as to the fees being offered in the Bid and has not and will not participated in any action contrary to the terms of this provision.

Questions or Clarifications / Designated City Contacts

All questions regarding this ITB shall be submitted via email. Emailed questions and inquires will be accepted from any and all prospective Bidders in accordance with the terms and conditions of the ITB.

All questions shall be due on or before April 29, 2022 @ 1:00 p.m. and should be addressed as follows:

Specification/Scope of Work questions emailed to Paul Matthews, pmatthews@a2gov.org
Bid Process and Compliance questions emailed to Colin Spencer, CSpencer@a2gov.org

Any error, omissions or discrepancies in the specification discovered by a prospective contractor and/or service provider shall be brought to the attention of Colin Spencer at cspencer@a2gov.org after discovery as possible. Further, the contractor and/or service provider shall not be allowed to take advantage of errors, omissions or discrepancies in the specifications.

Addenda

If it becomes necessary to revise any part of the ITB, notice of the Addendum will be posted to Michigan Inter-governmental Trade Network (MITN) www.mitn.info and/or City of Ann Arbor web site www.A2gov.org for all parties to download.

Each Bidder must in its Bid, to avoid any miscommunications, acknowledge all addenda which it has received, but the failure of a Bidder to receive, or acknowledge receipt of; any addenda shall not relieve the Bidder of the responsibility for complying with the terms thereof.

The City will not be bound by oral responses to inquiries or written responses other than written addenda.

Bid Submission

All Bids are due and must be delivered to the City of Ann Arbor Procurement Unit on or before May 10, 2022 at 10:00 a.m. (Local time). Bids submitted late or via oral, telephonic, telegraphic, electronic mail or facsimile **will not** be considered or accepted.

Each Bidder should submit one (1) original Bid and one (1) Bid copy in a sealed envelope clearly marked: ITB No. 4715 – 2022 Utility Infrastructure Materials.

Bids must be addressed and delivered to:

City of Ann Arbor
Procurement Unit,
c/o Customer Services, 1st Floor
301 East Huron Street
Ann Arbor, MI 48104

All Bids received on or before the Due Date will be publicly opened and recorded immediately. No immediate decisions are rendered.

The following forms provided within this ITB Document should be included in submitted bids.

- **Vendor Conflict of Interest Disclosure Form**
- **City of Ann Arbor Non-Discrimination Ordinance Declaration of Compliance**

Bids that fail to provide these forms listed above upon bid opening may be rejected as non-responsive and may not be considered for award.

Hand delivered bids may be dropped off in the Purchasing drop box located in the Ann Street (north) vestibule/entrance of City Hall which is accessible to the public at all hours. The City will not be liable to any Bidder for any unforeseen circumstances, delivery or postal delays. Postmarking to the Due Date will not substitute for receipt of the Bid. Each Bidder is responsible for submission of their Bid.

Additional time for submission of bids past the stated due date and time will not be granted to a single Bidder; however, additional time may be granted to all Bidders when the City determines in its sole discretion that circumstances warrant it.

Award

The City intends to award a Contract/Purchase Order to the lowest responsible Bidder(s) providing the best value to the City. The City may, at its sole discretion, award line-by-line in the best interest of value to the City.

Responsible bidder means a bid submitted, which conforms in all aspects of the requirements set forth in the invitation to bid. All aspects could include references, past experience, past performance, and qualifications.

Official Documents

The City of Ann Arbor officially distributes bid documents from the Procurement Unit or through the Michigan Intergovernmental Trade Network (MITN). Copies of the bid documents obtained from any other source are not Official copies. Addenda and other bid information will only be posted to these official distribution sites. If you obtained City of Ann Arbor Bid documents from other sources, it is recommended that you register on www.MITN.info and obtain an official Bid.

Taxes

Municipalities are exempt from Michigan State Sales and Federal Excise taxes. Do not include such taxes in the bid figure(s). The City will furnish the successful bidder with tax exemption certificates when requested.

Withdrawal of Bids

After the time of opening, no Bid may be withdrawn for the period of one-hundred and twenty (120) days.

Non-Discrimination Requirements

All contractors proposing to do business with the City shall satisfy the non-discrimination administrative policy adopted by the City Administrator in accordance with the Section 9:158 of the Ann Arbor City Code. Breach of the obligation not to discriminate shall be a material breach of the contract. Contractors are required to post a copy of Ann Arbor's Non-Discrimination Ordinance attached at all work locations where its employees provide services under a contract with the City.

Conflict Of Interest Disclosure

The City of Ann Arbor Purchasing Policy requires that prospective Vendors complete a Conflict of Interest Disclosure form. A contract may not be awarded to the selected Vendor unless and until the Procurement Unit and the City Administrator have reviewed the Disclosure form and determined that no conflict exists under applicable federal, state, or local law or administrative regulation. Not every relationship or situation disclosed on the Disclosure Form may be a disqualifying conflict. Depending on applicable law and regulations, some contracts may awarded on the recommendation of the City Administrator after full disclosure, where such action is allowed by law, if demonstrated competitive pricing exists and/or it is determined the award is in the best interest of the City. A copy of the Vendor Conflict of Interest Disclosure Form is attached.

Debarment

Submission of a Bid in response to this ITB is certification that the Bidder is not currently debarred, suspended, proposed for debarment, and declared ineligible or voluntarily excluded from participation in this transaction by any State or Federal departments or agency. Submission is also agreement that the City will be notified of any changes in this status.

Disclosures

After bids are opened, all information in a submitter's bid is subjected to disclosure under the provisions of Michigan Public Act No. 442 of 1976, as amended (MCL 15.231 et seq.) known as the "Freedom of Information Act." The Freedom of Information Act also provides for the complete disclosure of contracts and attachments thereto except where specifically exempted.

Bid Protest

All Bid protests must be in writing and filed with the Purchasing Agent within five (5) business days of the award action. The bidder must clearly state the reasons for the protest. If a bidder contacts a City Service Area/Unit and indicates a desire to protest an award, the Service Area/Unit shall refer the bidder to the Purchasing Agent. The Purchasing Agent will provide the bidder with the appropriate instructions for filing the protest. The protest shall be reviewed by the City Administrator or designee whose decision shall be final.

Any inquiries or requests regarding this procurement should be only submitted in writing to the Designated City Contacts provided herein. Attempts by the Offeror to initiate contact with anyone other than the Designated City Contacts provided herein that the prospective Offeror believes can influence the procurement decision, e.g., Elected Officials, City Administrator, Selection

Committee Members, Appointed Committee Members, etc., may lead to immediate elimination from further consideration.

Cost Liability

The City of Ann Arbor assumes no responsibility or liability for costs incurred by the Bidder prior to the execution of a contract with the City. By submitting a bid, a bidder agrees to bear all costs incurred or related to the preparation, submission and selection process for the bid.

Reservation of Rights

The City of Ann Arbor reserves the right to accept any bid or alternative bid proposed in whole or in part, to reject any or all bids or alternatives bids in whole or in part and to waive irregularity and/or informalities in any bid and to make the award in any manner deemed in the best interest of the City.

Environmental Commitment

The City of Ann Arbor recognizes its responsibility to minimize negative impacts on human health and the environment while supporting a vibrant community and economy. The City further recognizes that the products and services the City buys have inherent environmental and economic impacts and that the City should make procurement decisions that embody, promote, and encourage the City's commitment to the environment.

The City encourages potential vendors to bring forward emerging and progressive products and services that are best suited to the City's environmental principles.

INVITATION TO BID

City of Ann Arbor
Guy C. Larcom Municipal Building
Ann Arbor, Michigan 48107

Ladies and Gentlemen:

The undersigned, as Bidder, declares that this Bid is made in good faith, without fraud or collusion with any person or persons bidding on the same Contract; that this Bidder has carefully read and examined the bid documents, including City Nondiscrimination requirements, Vendor Conflict of Interest Form, Instructions to Bidders, Bid Forms, Purchase Order Terms and Conditions, General Conditions, Detailed Specifications, and all Addenda, and understands them. The Bidder declares that it conducted a full investigation of the work proposed and is fully informed as to the nature of the work and the conditions relating to the work's performance.

The Bidder acknowledges that it has not received or relied upon any representations or warrants of any nature whatsoever from the City of Ann Arbor, its agents or employees, and that this Bid is based solely upon the Bidder's own independent business judgment.

In accordance with these bid documents, and Addenda numbered _____, the undersigned, as Bidder, proposes to deliver to the City all product/services herein described for the amounts set forth in the Bid Forms.

The Bidder declares that it has become fully familiar with the liquidated damage clauses for completion times and for compliance with City Code Chapter 112, understands and agrees that the liquidated damages are for the non-quantifiable aspects of non-compliance and do not cover actual damages that may be shown and agrees that if awarded the Contract, all liquidated damage clauses form part of the Contract.

Bidder further agrees that the cited provisions of Chapter 14 form a part of this Contract.

The Bidder declares that it has become familiar with the City Conflict of Interest Disclosure Form and certifies that the statement contained therein is true and correct.

In submitting this Bid, it is understood that the right is reserved by the City to accept any Bid, to reject any or all Bids, to waive irregularities and/or informalities in any Bid, and to make the award in any manner the City believes to be in its best interest.

SIGNED THIS 5th DAY OF April, 2022.

EJ USA, Inc.
Bidder's Name

301 Spring Street
East Jordan, MI 49727
Official Address

1-800-874-4100
Telephone Number


Authorized Signature of Bidder

Richard Brandell
(Print Name of Signer Above)

us.bids@ejco.com
Email Address for Award Notice

LEGAL STATUS OF BIDDER

(The Bidder shall fill out the appropriate form and strike out the other three.)

Bidder declares that it is:

* A corporation organized and doing business under the laws of the State of Michigan, for whom Richard Brandell, bearing the office title of Vice President & General Manager, whose signature is affixed to this Bid, is authorized to execute contracts.

NOTE: If not incorporated in Michigan, please attach the corporation's Certificate of Authority

~~--- A limited liability company doing business under the laws of the State of _____ whom _____ bearing the title of _____ whose signature is affixed to this proposal, is authorized to execute contract on behalf of the LLC.---~~

~~--- A partnership, organized under the laws of the state of _____ and filed in the county of _____, whose members are (list all members and the street and mailing address of each) (attach separate sheet if necessary):---~~

~~--- An individual, whose signature with address, is affixed to this Bid: _____ (initial here)---~~

Authorized Official



Date 5/5/2022, 2012

(Print) Name Richard Brandell Title Vice President & General Manager

Company: EJ USA, Inc.

Address: 301 Spring Street, PO Box 439, East Jordan, MI 49727

Contact Phone () 1-800-874-4100 Fax () 231-536-4458

Email us.bids@ejco.com

SPECIFICATIONS

UTILITY INFRASTRUCTURE MATERIALS

PART 1 – GENERAL

(NOT USED)

PART 2 – PRODUCTS

2.1 DUCTILE IRON PIPE AND FITTINGS

- A. Ductile iron pipe shall be push-on joint water main pipe meeting the requirements of ANSI/AWWA C151/A21.51 with double thickness cement mortar lining and asphaltic seal coat meeting ANSI/AWWA C104/A21.4 and coated outside with an asphaltic coating meeting ANSI/AWWA C151/A21.51. Pipe shall meet the thickness requirements of pressure class 350. Push-on joints shall be single gasket joints meeting AWWA specification C111. Pipe shall be manufactured by American, Clow, Griffin, or US Pipe and shipped complete with gasket.
- B. Ductile iron fittings shall meet the requirements of ANSI/AWWA C153/A21.53 for compact fittings or ANSI/AWWA C110/A21.10 for full body fittings. Fittings shall have an internal cement-mortar lining and asphaltic seal coat in accordance with in accordance with ANSI/AWWA C104/A21.4. The outside of all fittings shall have an asphaltic coating.
 - 1. Fittings shall be supplied complete with high strength, low alloy, blue colored, ceramic-filled fluorocarbon resin coated steel bolts and plain rubber mechanical joint gaskets.
- C. Restraint devices for mechanical joint fittings shall consist of multiple gripping wedges incorporated into a follower gland meeting the applicable requirements of ANSI/AWWA C110/A21.10. The devices shall have a working pressure rating of 350 psi for 3" to 16" and 250 psi for 18" through 48" size. Restraint devices shall be Listed by Underwriters Laboratories (3" through 24" inch size) and Approved by Factory Mutual (3" through 12" inch size). Mechanical joint restraint shall be Megalug Series 1100 produced by EBAA Iron Inc. or approved equal.

2.2 FIRE HYDRANTS

- A. Fire hydrants shall be EJ Watermaster 5BR250, bury depth as specified in the bid form, mechanical joint, traffic flange, open left, no barrel drain, a painted red finish, with one 3" National Standard hose connection and one 5" integral Storz connection, 1-3/8 inch pentagon operating and cap nuts shall be utilized (1-3/8 inch point-to-flat at top and 1-7/16 inch point-to-flat at base).
- B. All hydrant parts shall be manufactured by EJ.

2.3 GATE VALVES

- A. Resilient seated gate valves shall conform to the requirements of AWWA C509 or C515 and shall have an operator rated for buried service with 2 inch square opening nut, operating right. Gate valves shall be mechanical joint unless otherwise specified in the bid form. Mechanical joints shall meet the requirements of AWWA Specification C111. Gate valves shall be American Flow Control Series 2500, Mueller Series A-2360, EJ FlowMaster, U.S. Pipe A-USP2, Clow Model 2638/2639, or approved equal.

2.4 TAPPING SLEEVES

- A. Tapping sleeves shall be designed for water service with a minimum working pressure of 150 psi. Tapping sleeves shall be all stainless steel and conform to ANSI/AWWA C223. All tapping sleeves and valves must be certified by Underwriters Laboratory (UL) and the National Sanitation Foundation (NSF) for use in a potable water system. Tapping sleeves shall be Ford FTSS, JCM 432, Smith-Blair 663, or approved equal.

2.5 CURB BOXES

- A. Curb boxes shall be cast Iron Buffalo type, size 95E, screw type with 2.5" diameter shaft, two piece, with extension range 41" to 66". The word "WATER" shall be cast in raised letters on the lid. Curb boxes shall be domestic. Ship only completely assembled units, not separate components. Top half/lid & bottom half shall be screwed together and shipped as a complete unit.
- B. Curb box top half item shall include the curb box top half only. Curb box top halves shall be domestic 95E.
- C. Large curb box bases shall be enlarged for buffalo screw type curb boxes, sized to accommodate a 2" curb stop. Large base curb boxes shall be domestic.
- D. Curb box extensions for buffalo screw type curb box shall be only 9", 16", 28", and 30" domestic.
- E. Repair lids shall be old style outside repair lids for cast iron buffalo screw type curb box with 2.5" diameter shaft. The word "Water" shall be cast in raised letters on top surface of lid.

2.6 GATE BOXES

- A. Gate valve boxes shall be heavy duty three piece valve boxes with 5.25" diameter shaft, screw type, #6 base, and extension range from 45" to 66". The word "Water" shall be cast in raised letters on the lid. Quote only Domestic. Gate box complete shall consist of 1-Top section, 1-Bottom section, 1 - #6 Base, 1 - Drop lid.
- B. Gate box extensions shall be heavy duty domestic, 14", 18" and 24".
- C. Gate box fixed risers shall be heavy duty 5-1/4" x 2-14" slip in risers for domestic valve boxes.
- D. Gate box adjustable risers shall be heavy duty screw type domestic.

2.7 EXTENDED RANGE COUPLING

- A. Extended range ductile iron couplings shall be designed for 250 psi working pressure with a ductile iron center ring, ductile iron end rings, SBR rubber gaskets and 304 stainless steel nuts and bolts. Shop coat shall be applied to cast parts for corrosion protection. Coupling shall be Romac XR501 extended range coupling or approved equal.

2.8 BRASS FITTINGS

- A. All fittings shall meet the lead-free requirements of the Safe Drinking Water Act.
- B. Straight couplings shall be A.Y. McDonald Model 74755F or equivalent manufactured by Ford or Mueller.
- C. Two part unions shall be copper flare nut by female copper flare thread, A.Y. McDonald Model 74756 or equivalent manufactured by Ford or Mueller.
- D. Tees shall be flare x flare x flare, AY McDonald Model 74760 or equivalent manufactured by Ford or Mueller.
- E. Quarter bends shall be flare x flare, A.Y. McDonald Model 74761 or equivalent manufactured by Ford or Mueller.
- F. Corporations shall be AWWA (CC) x copper flare, A.Y. McDonald Model 74701 or equivalent manufactured by Ford or Mueller.
- G. Saddles shall be brass double strap tapping saddle with 1.5" AWWA taper thread tap for ductile iron water main, Ford 202B, Smith-Blair 323, Mueller BR-2-B, or approved equal.
- H. Curbs stops shall be ball valve, full port, copper flare nut by copper flare nut. Quote only McDonald 76100 or equivalent manufactured by Ford.
- I. Straight copper flare x female copper flare (Piggy Back Nut) couplings shall be A.Y. McDonald Model 74755 or equivalent manufactured by Ford or Mueller.

2.9 WATER METER ACCESSORIES

- A. Meter horns shall be Ford CHSS-244-NL for $\frac{3}{4}$ " x 1" x 1" meter horns, and Ford CHSS-444-NL for 1" x 1" x 1" meter horns, or equivalent models manufactured by A.Y. McDonald or Mueller.
- B. Tandem resetters shall be Ford Resetter-2A-NL, or equivalent models manufactured by A.Y. McDonald or Mueller.
- C. Meter flanges shall be Dake 2030-LF for 1-1/2" flanges and Dake 2035-LF for 2" flanges, or equivalent models manufactured by Ford, A.Y. McDonald, Mueller, or Grand Haven Meter Coupling.
- D. Meter adapters shall be Ford A12M, or equivalent models manufactured by A.Y. McDonald or Mueller.
- E. Pressure reducing valves shall be Watts model LF5B-Z3.
- F. Reduced pressure zone assemblies shall be Zurn/Wilkins Model 375XL, or approved equal.

2.10 CASTINGS

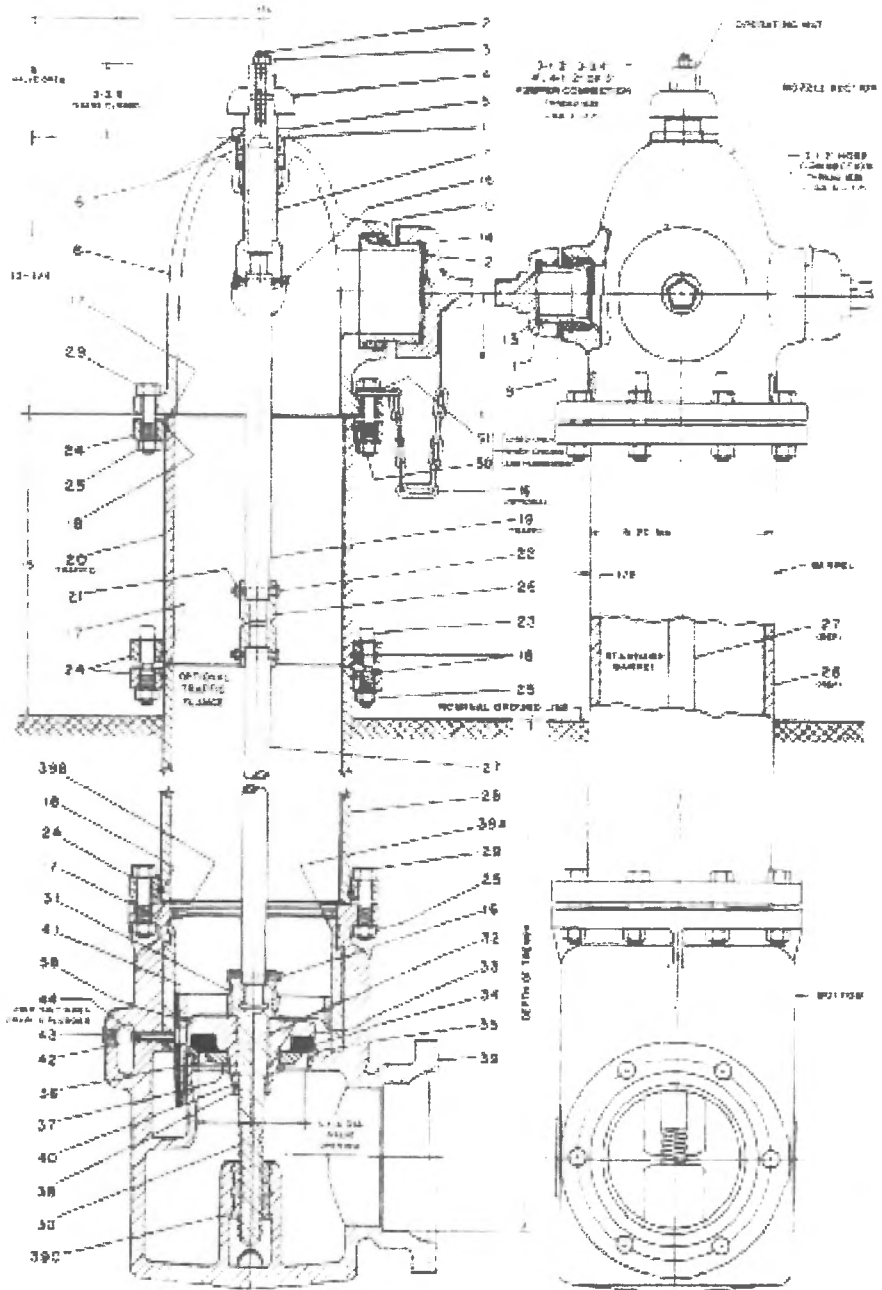
- A. Castings shall be as specified on the bid form.
- B. Manhole covers for sanitary sewer shall have the word "SEWER" cast in the surface, castings for water shall have the word "WATER" cast into the surface, and castings for storm sewer shall have the word "STORM" cast into the surface.

- C. All castings shall have a black asphaltic coating.
- D. All catch basin and curb inlet castings shall have a trout symbol with the wording "DUMP NO WASTE, DRAINS TO WATERWAYS" cast into the surface.

2.11 TRAVERSE CITY FIRE HYDRANT PARTS

- A. Reference the diagram below for part locations. Part reference number is included in the description on the bid form if applicable.

Traverse City Hydrant Parts Diagram



2.12 STAINLESS STEEL REPAIR CLAMPS

- A. Stainless steel repair clams shall be ROMAC or equivalent models manufactured by JCM.

BID FORM

VENDOR NAME: EJ USA, Inc.

Project: ITB 4715 – 2022 Utility Infrastructure Materials

- Quantities are only estimates and not guaranteed. Where an estimated quantity of zero (0) is identified, provide a unit price for the material, but do not include in the total bid price.
- The pricing provided under this ITB shall be firm for one (1) year from the date of City Council approval, which is anticipated in June 2022. If there is a required price increase for any or all groups prior to the one (1) year price expiration, append information detailing the proposed price increases.
- Bidders may elect to bid on individual bid groups or the entire bid package. For a bid group to be deemed complete, the bidder must provide pricing on all items within the group. The City, at its sole discretion, may elect to award individual bid groups to separate bidders, or award all bid groups to one bidder.
- Each bid group includes a line item for the purchase of unlisted parts of a similar nature or type. The bidder must provide the percent discount from the Manufacturer's list price for items that are similar to those identified in the bid group, such as an unlisted size or alternate material. As manufacturer list prices change, the net price to the City will automatically change.

GROUP 1: DUCTILE IRON FITTINGS							
(Individual fittings shall be provided with accessory packs including standard MJ glands, Cor-Blue bolts and plain rubber gaskets.)							
ITEM	MATERIAL UID	DESCRIPTION	UNIT	ESTIMATED QUANTITY	UNIT COST	TOTAL COST	BRAND QUOTED
1	BEND_04X22.5	BEND, 4" 22 1/2 DEGREE MJ	EA	2	No Bid		
2	BEND_12x22.5	BEND, 12" 22 1/2 DEGREE MJ	EA	1	No Bid		
3	BEND_16x22.5	BEND, 16" 22 1/2 DEGREE MJ	EA	1	No Bid		
4	BEND_20x22.5	BEND, 20" 22 1/2 DEGREE MJ	EA	1	No Bid		
5	BEND_08x45	BEND, 8" 45 DEGREE MJ	EA	4	No Bid		
6	BEND_12X45	BEND, 12" 45 DEGREE MJ	EA	4	No Bid		
7	BEND_16X45	BEND, 16" 45 DEGREE MJ	EA	4	No Bid		
8	TEE_04	TEE, 4", MJ	EA	2	No Bid		

9	TEE_06	TEE, 6", MJ	EA	6	No Bid	
10	TEE_08	TEE, 8", MJ	EA	2		
11	TEE_12	TEE, 12", MJ	EA	2		
12	TEE_06X04	TEE, 6" x 4", MJ	EA	2		
13	TEE_08X06	TEE, 8" x 6", MJ	EA	2		
14	TEE_12X04	TEE, 12" x 4", MJ	EA	2		
15	TEE_12X06	TEE, 12" x 6", MJ	EA	8		
16	PLGS_04	PLUG, 4" MJ	EA	2		
17	PLGS_06	PLUG, 6" MJ	EA	2		
18	PLGS_08	PLUG, 8" MJ	EA	2		
19	PLGS_12	PLUG, 12" MJ	EA	2		
20	NA	PLUG, 16" MJ	EA	2		
21	NA	REDUCER, 4" X 3", MJ x MJ	EA	2		
22	REDUCER_06X04	REDUCER, 6" X 4", MJ x MJ	EA	2		
23	REDUCER_08X06	REDUCER, 8" X 6", MJ x MJ	EA	2		
24	REDUCER_12X06	REDUCER, 12" X 6", MJ x MJ	EA	2		
25	REDUCER_12X10	REDUCER, 12" X 10", MJLEB x PE	EA	2		
26	REDUCER_16X12	REDUCER, 16" X 12", MJ x MJ	EA	2		
27	NA	REDUCER, 20" X 12", PE x MJSEB	EA	2		
28	CPS_04	CAP, 4" MJ	EA	2		
29	CPS_06	CAP, 6" MJ	EA	2		
30	CPS_08	CAP, 8" MJ	EA	2		
31	NA	CAP, 10" MJ	EA	2		
32	NA	CAP, 12" MJ	EA	2		
33	NA	SLEEVE, SOLID 4"x12" DUAL PURPOSE	EA	8		
34	SLEEVE_06LP_DUO	SLEEVE, SOLID 6"x12" DUAL PURPOSE	EA	8		
35	SLEEVE_08SP_DUO	SLEEVE, SOLID 8"x12" DUAL PURPOSE	EA	24		
36	SLEEVE_10LP_DUO	SLEEVE, SOLID 10"x12" DUAL PURPOSE	EA	8		
37	SLEEVE_12LP_DUO	SLEEVE, SOLID 12"x12" DUAL PURPOSE	EA	8		

38	SLEEVE_14LP_DUO	DUO SLEEVE, 14" LP	EA	2	No Bid	
39	SLEEVE_16LP_DUO	DUO SLEEVE, 16" LP	EA	2		
40	SLEEVE_20LP_DUO	DUO SLEEVE, 20" LP	EA	2		
41	SLEEVE_24LP_DUO	DUO SLEEVE, 24" LP	EA	2		
42	SLEEVE_04SP	SLEEVE, SOLID 4" MJ SHORT	EA	8		
43	SLEEVE_04LP	SLEEVE, SOLID 4" MJ LONG	EA	8		
44	SLEEVE_04SP	SLEEVE, SOLID 4" MJ SHORT	EA	2		
45	SLEEVE_06SP	SLEEVE, SOLID 6" MJ SHORT	EA	8		
46	SLEEVE_06LP	SLEEVE, SOLID 6" MJ LONG	EA	8		
47	SLEEVE_08SP	SLEEVE, SOLID 8" MJ SHORT	EA	8		
48	SLEEVE_08LP	SLEEVE, SOLID 8" DI MJ LONG	EA	8		
49	SLEEVE_10SP	SLEEVE, SOLID 10" MJ SHORT	EA	2		
50	SLEEVE_10LP	SLEEVE, SOLID 10" MJ LONG	EA	2		
51	SLEEVE_12LP	SLEEVE, SOLID 12" MJ SHORT	EA	8		
52	SLEEVE_12SP	SLEEVE, SOLID 12" MJ LONG	EA	8		
53	NA	SLEEVE, SOLID 14" MJ SHORT	EA	2		
54	SLEEVE_14LP	SLEEVE, SOLID 14" MJ LONG	EA	2		
55	SLEEVE_16SP	SLEEVE, SOLID 16" MJ SHORT	EA	2		
56	SLEEVE_16LP	SLEEVE, SOLID 16" MJ LONG	EA	2		
57	SLEEVE_20SP	SLEEVE, SOLID 20" MJ SHORT	EA	2		
58	SLEEVE_20LP	SLEEVE, SOLID 20" MJ LONG	EA	2		
59	SLEEVE_24SP	SLEEVE, SOLID 24" MJ SHORT	EA	2		
60	SLEEVE_24LP	SLEEVE, SOLID 24" MJ LONG	EA	2		
61	NA	SLEEVE, SOLID 30" MJ SHORT	EA	2		

Unlisted Ductile Iron Fittings Percent Discount from List Price			GROUP 1 SUBTOTAL	No Bid
--	--	--	------------------	--------

%

GROUP 2: DUCTILE IRON MECHANICAL JOINT RESTRAINT GLANDS							
(Individual Mechanical Joint Restraint Glands to be provided with Cor-Blue bolts and plain rubber gasket.)							
ITEM	MATERIAL UID	DESCRIPTION	UNIT	ESTIMATED QUANTITY	UNIT COST	TOTAL COST	
62	MEG_03	MEGALUG 3"	EA	2	No Bid		
63	MEG_04	GLAND, 4" MJ JOINT RESTRAINT	EA	24			
64	MEG_06	GLAND, 6" MJ JOINT RESTRAINT	EA	48			
65	MEG_08	GLAND, 8" MJ JOINT RESTRAINT	EA	24			
66	MEG_10	GLAND, 10" MJ JOINT RESTRAINT	EA	2			
67	MEG_12	GLAND, 12" MJ JOINT RESTRAINT	EA	4			
68	MEG_14	MEGALUG 14"	EA	2			
69	MEG_16	GLAND, 16" MJ JOINT RESTRAINT	EA	2			
70	MEG_20	GLAND, 20" MJ JOINT RESTRAINT	EA	2			
Unlisted Mechanical Joint Restraint Glands Percent Discount from List Price					GROUP 2 SUBTOTAL	GROUP 2 SUBTOTAL	No Bid
					%		

GROUP 3: DUCTILE IRON PIPE							
(Ductile Iron Pipe shall be provided in nominal 18-foot laying length sections. Quantity is for individual pipe sections.)							
ITEM	MATERIAL UID	DESCRIPTION	UNIT	ESTIMATED QUANTITY	UNIT COST	TOTAL COST	
71	PIPE_DI_04	PIPE, DUCTILE IRON 4"	L_Ft	108	No Bid		
72	PIPE_DI_06	PIPE, DUCTILE IRON 6"	L_Ft	360			
73	PIPE_DI_08	PIPE, DUCTILE IRON 8"	L_Ft	216			
74	PIPE_DI_10	PIPE, DUCTILE IRON 10"	L_Ft	36			
75	PIPE_DI_12	PIPE, DUCTILE IRON 12"	L_Ft	72			
76	PIPE_DI_14	PIPE, DUCTILE IRON 14"	L_Ft	36			
77	PIPE_DI_16	PIPE, DUCTILE IRON 16"	L_Ft	36			
78	PIPE_DI_20	PIPE, DUCTILE IRON 20"	L_Ft	36			
79	PIPE_DI_24	PIPE, DUCTILE IRON 24"	L_Ft	36			
80	PIPE_DI_30	PIPE, DUCTILE IRON 30"	L_Ft	36			
81	NA	8MIL Black Polyethylene Encasement - "Poly Wrap" ANSI/AWWA C105/A21.5 Standard Dia 12"-14", 30" lay flat"	L_Ft	500			
Unlisted Ductile Iron Pipe Percent Discount from List Price					GROUP 3 SUBTOTAL	GROUP 3 SUBTOTAL	No Bid
					%		

GROUP 4: FIRE HYDRANTS

ITEM	MATERIAL UID	DESCRIPTION	UNIT	ESTIMATED QUANTITY	UNIT COST	TOTAL COST	BRAND QUOTED
82	EJ_SEATING_VALVE	EJ_SEATING_VALVE - 6 BR 22	EA	18	\$71.77	\$1,291.86	EJ USA, Inc.
83	EJ_WM_05.5	EJ 5BR250 FIRE HYDRANT, 5.5' BURY	EA	20	\$3,165.63	\$63,312.60	EJ USA, Inc.
84	EJ_WM_06	EJ 5BR250 FIRE HYDRANT, 6' BURY	EA	12	\$3,224.52	\$38,694.24	EJ USA, Inc.
85	EJ_EXT_SHA_06	EJ 6" HYDRANT EXTENSION, SHAFT ONLY	EA	24	\$54.49	\$1,307.76	EJ USA, Inc.
86	EJ_EXT_SHA_12	EJ 12" HYDRANT EXTENSION, SHAFT ONLY	EA	24	\$53.94	\$1,294.56	EJ USA, Inc.
87	NA	EJ 6BR 6" HYDRANT EXTENSION KIT	EA	12	\$468.39	\$5,620.68	EJ USA, Inc.
88	NA	EJ 6BR 12" HYDRANT EXTENSION KIT	EA	12	\$572.57	\$6,870.84	EJ USA, Inc.
89	EJ_EXT_KIT_12	EJ 5BR250 12" HYDRANT EXTENSION KIT	EA	30	\$633.74	\$19,012.20	EJ USA, Inc.
90	EJ_EXT_KIT_06	EJ 5BR250 6" HYDRANT EXTENSION KIT	EA	12	\$529.56	\$6,354.72	EJ USA, Inc.
91	EJ_06_BR_CHATTER_K IT	EJ 6BR CONVERSION CHATTER KIT	EA	24	\$889.76	\$21,354.24	EJ USA, Inc.
92	EJ_5BR250_CONV_06	EJ 5BR CONVERSION KIT FOR TRAVERSE CITY HYDRANT	EA	24	\$3,794.49	\$91,067.76	EJ USA, Inc.
93	EJ_REPAIR_KIT_BLAC K	EJ 5BR250 BRK FLG REPAIR KIT, BLACK #00946447	EA	48	\$146.09	\$7,012.32	EJ USA, Inc.
94	EJ_REPAIR_KIT_RED	EJ BR BRK FLG REPAIR KIT, RED #00946345	EA	48	\$182.97	\$8,782.56	EJ USA, Inc.
95	NA	EJ 6BR VALVE SEAT	EA	24	\$147.45	\$3,538.80	EJ USA, Inc.
96	NA	EJ 6BR VALVE SEAT O RINGS	EA	24	\$10.35	\$248.40	EJ USA, Inc.
97	NA	EJ 6BR DRIP SHUT OFF	EA	24	\$102.04	\$2,448.96	EJ USA, Inc.
98	NA	EJ 6BR VALVE WASHER	EA	24	\$24.36	\$584.64	EJ USA, Inc.
99	NA	EJ 5BR250 VALVE SEAT	EA	24	\$63.66	\$1,527.84	EJ USA, Inc.
100	NA	EJ 5BR VALVE SEAT O RINGS	EA	24	\$7.14	\$171.36	EJ USA, Inc.
101	EJ_2.5_NOZZLE_LOCK	EJ, 2.5" HOSE NOZZLE (LOCK-IN TYPE) - 946014	EA	24	\$56.92	\$1,366.08	EJ USA, Inc.

102	EJ_LOW_STEM_5.5FT	EJ, LOWER OPER STEM FOR 5.5ft HYD-EJIW PART 946729	EA	24	\$105.35	\$2,528.40	EJ USA, Inc.
103	EJ_LOW_STEM_5FT	EJ, LOWER STEM 5FT	EA	12	\$99.76	\$1,197.12	EJ USA, Inc.
104	EJ_LOW_STEM_6.5FT	EJ, LOWER OPER STEM FOR 6.5 ft HYD - EJIW CAT #12-B	EA	12	\$114.35	\$1,372.20	EJ USA, Inc.
105	EJ_OPERATING_NUT	EJ, OPERATING NUT - BR7-C BR7-D	EA	24	\$116.53	\$2,796.72	EJ USA, Inc.
106	EJ_TOP_STEM_21.5IN	EJ, TOP OPERATING STEM, 21.5" - EJIW PART 946740	EA	24	\$93.15	\$2,235.60	EJ USA, Inc.
107	EJ_DRIP_SHUT_OFF_B R5	EJ 5BR DRIP SHUT OFF	EA	24	\$143.67	\$3,448.08	EJ USA, Inc.
108	NA	EJ 5BR VALVE WASHER	EA	24	\$36.20	\$868.80	EJ USA, Inc.
109	NA	HARRINGTON 4" STORZ NOZZLE CAP F/4-1/2" PORT	EA	24	\$293.75	\$7,050.00	EJ USA, Inc.
Unlisted Fire Hydrant Parts Discount					GROUP 4 SUBTOTAL		
from List Price							\$303,359.34
					10 %		

GROUP 5: GATE VALVES AND TAPPING SLEEVES							
(Individual gate valves shall be provided with accessories packs including standard MJ glands, Cor-Blue bolts and plain rubber gaskets.)							
ITEM	MATERIAL UID	DESCRIPTION	UNIT	ESTIMATED QUANTITY	UNIT COST	TOTAL COST	
110	RWW_03_Bypass	GATE VALVE, 3" F-F (FOR BYPASS)	EA	2	\$571.90	\$1,143.80	
111	RWW_03	GATE VALVE, 3" MJ	EA	2	\$581.86	\$1,163.72	
112	RWW_04	GATE VALVE, 4" MJ	EA	8	\$646.51	\$5,172.08	
113	RWW_06	GATE VALVE, 6" MJ	EA	72	\$813.99	\$58,607.28	
114	RWW_08	GATE VALVE, 8" MJ	EA	48	\$1,310.64	\$62,910.72	
115	NA	GATE VALVE, 8" MJ x TAP	EA	24	\$1,705.90	\$40,941.60	
116	RWW_10	GATE VALVE, 10" MJ	EA	2	\$2,043.94	\$4,087.88	
117	RWW_12	GATE VALVE, 12" MJ	EA	12	\$2,586.03	\$31,032.36	
118	RWW_14	GATE VALVE, 14" MJ	EA	2	\$7,999.40	\$15,998.80	
119	RWW_16	GATE VALVE, 16" MJ	EA	8	\$8,668.92	\$69,351.36	
120	RWW_20	GATE VALVE, 20" MJ	EA	2	\$20,649.47	\$41,298.94	
121	NA	STAINLESS TAPPING SLEEVE, 12"X12"X8"	EA	2	No Bid		
122	NA	STAINLESS TAPPING SLEEVE, 16"X16"X8"	EA	2	No Bid		
123	NA	STAINLESS TAPPING SLEEVE, 20"X20"X8"	EA	2	No Bid		
124	OPN01	2" AD OP Nut F/4"-12" 500 & 2500 Series Gate Valves	EA	400	No Bid		
Unlisted Gate Valves Percent Discount from List Price					62 %	GROUP 5 SUBTOTAL	\$331,708.54

GROUP 6: CURB AND GATE BOXES							
ITEM	MATERIAL UID	DESCRIPTION	UNIT	ESTIMATED QUANTITY	UNIT COST	TOTAL COST	BRAND QUOTED
125	C_COMPLETE	CURB BOX, COMPLETE	EA	1	No Bid		
126	C_TOP_HALF	CURB BOX, TOP HALF W/ LID	EA	600	No Bid		
127	C_BOX_BOTTOM_HALF	CURB BOX BOTTOM HALF	EA	600	No Bid		
128	C_L_BASE	CURB BOX, LARGE BASE (BIGFOOT)	EA	150	No Bid		
129	C_9_EXIT	CURB BOX EXTENSION, 9"	EA	200	No Bid		
130	C_16_EXIT	CURB BOX EXTENSION, 16"	EA	200	No Bid		
131	C_REPAIR_LID	CURB BOX REPAIR LID	EA	1000	No Bid		
132	NA	GATE BOX, COMPLETE	EA		\$268.41		EJ USA, Inc.
133	G_TOP_HALF	GATE BOX TOP 1/2, WITH NO LID	EA	400	\$96.66	\$38,664.00	EJ USA, Inc.
134	G_14_EXT	GATE BOX EXTENSION, 14"	EA	50	\$61.74	\$3,087.00	EJ USA, Inc.
135	G_18_20_EXT	GATE BOX EXTENSION, 18" & 20"	EA	50	\$78.09	\$3,904.50	EJ USA, Inc.
136	G_REG_BASE	GATE BOX REGULAR BASE (#6)	EA	100	\$79.16	\$7,916.00	EJ USA, Inc.
137	G_SMALL_BASE	GATE BOX SMALL BASE (#4)	EA	300	\$64.91	\$19,473.00	EJ USA, Inc.
138	NA	GATE BOX FIXED RISER	EA	2	No Bid		
139	G_CHEATER	GATE BOX ADJUSTABLE RISER	EA	2	No Bid		
140	G_LID	GATE BOX LID	EA	500	\$24.42	\$12,210.00	EJ USA, Inc.
141	G_BOTTOM_HALF	GATE BOX BOTTOM HALF - EJW 85606030	EA	400	\$82.41	\$32,964.00	EJ USA, Inc.
142		Placeholder					
Unlisted Curb and Gate Boxes Percent Discount from List Price							
						65 %	
						GROUP 6 SUBTOTAL	\$118,218.50

GROUP 7: EXTENDED RANGE COUPLINGS							
ITEM	MATERIAL UID	DESCRIPTION	UNIT	ESTIMATED QUANTITY	UNIT COST	TOTAL COST	BRAND QUOTED
143	COUP_03	Extended range coupler 3"	EA	2	No Bid		
144	COUP_04	4" EXTENDED RANGE COUPLING	EA	20			
145	COUP_06	6" EXTENDED RANGE COUPLING	EA	60			
146	COUP_08	8" EXTENDED RANGE COUPLING	EA	40			
147	COUP_10	10" EXTENDED RANGE COUPLING	EA	2			
148	COUP_12	12" EXTENDED RANGE COUPLING	EA	24			
149	COUP_14	Extended Range Coupler 14"	EA	4			
150	COUP_16	Extended Range Coupler 16"	EA	4			
Unlisted Extended Range Couplings						GROUP 7 SUBTOTAL	No Bid
Percent Discount from List Price							
							%

GROUP 8: PRECAST CATCHBASIN/MANHOLE STRUCTURES - ASTM C-478							
ITEM	MATERIAL UID	DESCRIPTION	UNIT	ESTIMATED QUANTITY	UNIT COST	TOTAL COST	BRAND QUOTED
151	SINLETS023	PRECAST SUMP – 24" ID X 24" H	EA	6	No Bid		
152	SINLETS046	PRECAST SUMP – 48" OD X 36" ID X 32" H	EA	6			
153	SINLETS047	MANHOLE – 36" OD x 24" ID X 55" H W/ 6" AND 12" TAP TO ORDER	EA	6			
154	SINLETS048	ROUND SLAB, 5' X 8" W/36"X24" OPENING CENTERED	EA	6			
155		Placeholder	EA				
Unlisted Percent Discount from List Price						GROUP 8 SUBTOTAL	
						No Bid	

GROUP 9: BRASS FITTINGS

ITEM	MATERIAL UID	DESCRIPTION	UNIT	ESTIMATED QUANTITY	UNIT COST	TOTAL COST	BRAND QUOTED
156	CORP_0.75X0.75	CORPORATION, 3/4"	EA	2	No Bid		
157	CORP_0.75X01	CORPORATION, 3/4" X 1"	EA	600			
158	CORP_01X01	CORPORATION, 1"	EA	300			
159	NA	CORPORATION, 1" C-C X 1-1/4" FLR	EA	100			
160	CORP_01.25X01.25	CORPORATION, 1-1/4"	EA	2			
161	CORP_01.5x01.5	CORPORATION, 1-1/2"	EA	48			
162	CORP_01.5x02	CORPORATION, 1-1/2" C-C X 2" FLR	EA	100			
163	CORP_02X02	CORPORATION, 2"	EA	24			
164	SADDLE_04X01	SADDLE, 4" X 1"	EA	2			
165	SADDLE_04X01.5	SADDLE, 4" X 1 1/2"	EA	2			
166	SADDLE_06X01.25	SADDLE, 6" X 1 1/4"	EA	2			
167	SADDLE_06X01.5	SADDLE, 6" X 1 1/2"	EA	4			
168	SADDLE_08X01.5	SADDLE, 8" X 1 1/2"	EA	4			
169	SADDLE_10X01.5	SADDLE, 10" X 1 1/2"	EA	2			
170	SADDLE_12X01.5	SADDLE, 12" X 1 1/2"	EA	70			
171	SADDLE_12X02	SADDLE, 12" X 2"	EA	2			
172	SADDLE_16X01.5	SADDLE, 16" X 1 1/2"	EA	2			
173	SADDLE_20X01.5	SADDLE, 20" X 1 1/2"	EA	2			
174	STOP_.75	STOP, 3/4" C-C	EA	24			
175	STOP_01	CURB STOP, 1" C-C	EA	400			
176	STOP_01.25	CURB STOP, 1-1/4" C-C	EA	2			
177	STOP_01.5	CURB STOP, 1-1/2" C-C	EA	24			
178	STOP_02	CURB STOP, 2" C-C	EA	48			
179	CIPF_0.75	STRAIGHT COUPLING, 3/4" X 3/4" FNPT X FFLLR	EA	48			
180	CIPF_01	STRAIGHT COUPLING, 1" X 1" FNPT X FFLLR	EA	72			
181	CIPF_01.25	STRAIGHT COUPLING, 1-1/4" X 1-1/4" FNPT X FFLLR	EA	12			
182	CIPF_01.5	STRAIGHT COUPLING, 1-1/2" X 1-1/2" FNPT X FFLLR	EA	48			

183	NA	STRAIGHT COUPLING, 2" X 2" FNPT X FFLR	EA	12	No Bid	
184	CCC_0.75	TWO-PART UNION, 3/4"	EA	24		
185	CCC_01	TWO-PART UNION, 1"	EA	400		
186	CCC_01.25	TWO-PART UNION, 1-1/4"	EA	12		
187	CCC_01.5	TWO-PART UNION, 1-1/2"	EA	24		
188	CCC_02	TWO-PART UNION, 2"	EA	48		
189	NA	1-1/2" TEE	EA	2		
190	NA	2" TEE	EA	2		
191	NA	1-1/2" QUARTER BEND (90)	EA	2		
192	NA	2" QUARTER BEND (90)	EA	2		
193	PPN_01X0.75	1" X 3/4" COPPER FLR X FFLR (PIGGY BACK NUT)	EA	200		
194	PPN_01.5X01.25	1-1/2" X 1-1/4" COPPER FLR X FFLR (PIGGY BACK NUT)	EA	48		
195	PPN_02X01.5	2" X 1-1/2" COPPER FLR X FFLR (PIGGY BACK NUT)	EA	48		
196	NA	1-1/4" X 1-1/2" FFLR X COPPER FLR	EA	48		
197	PPN_01X01.25	PIGGYBACK NUT 1"X1-1/4"	EA	48		
198	PPN_01.25X01.5	PIGGYBACK NUT 1-1/2" x 1-1/4"	EA	48		
199	PPN_1.5X02	PIGGYBACK NUT 1-1/2" x 2"	EA	48		
200	PPN_01.25X01	PIGGYBACK NUT 1-1/2" x 1"	EA	48		
Unlisted Brass Fittings Percent Discount from List Price						
						%
GROUP 9 SUBTOTAL						No Bid

GROUP 10: WATER METER ACCESSORIES							
ITEM	MATERIAL UID	DESCRIPTION	UNIT	ESTIMATED QUANTITY	UNIT COST	TOTAL COST	
201	MT-MH-3.4	METER HORN, 3/4" X 1" X 1"	EA	150	No Bid		
202	MT-MH-1	METER HORN, 1" X 1" X 1"	EA	300			
203	WTRMTR3.4TANDEM	TANDEM RESETTER, 3/4" X 3/4"	EA	5			
204		Placeholder					
205		placeholder					
206	MT-FLG-1.5	1 1/2" Brass Meter Flanges	EA	60			
207	MT-FLG-2	2" Brass Meter Flanges	EA	40			
208	MTR ADAPTER 3/4	METER ADAPTER, 5/8" X 3/4", PAIR	PR	100			
209	NA	PRESSURE REDUCING VALVE, 3/4"	EA	1			
210	NA	PRESSURE REDUCING VALVE, 1"	EA	1			
211	NA	PRESSURE REDUCING VALVE, 1-1/4"	EA	1			
212	NA	PRESSURE REDUCING VALVE, 1-1/2"	EA	1			
213	NA	PRESSURE REDUCING VALVE, 2"	EA	1			
214	RPZA-1	REDUCED PRESSURE ZONE ASSEMBLY, 1"	EA	1			
215	RPZA-2	REDUCED PRESSURE ZONE ASSEMBLY, 2"	EA	20			
Unlisted Water Meter Accessories Percent Discount from List Price						GROUP 10 SUBTOTAL	No Bid

GROUP 11: CASTINGS

ITEM	MATERIAL UID	DESCRIPTION	UNIT	ESTIMATED QUANTITY	UNIT COST	TOTAL COST	BRAND QUOTED
216	NA	FRAME-INLET- EJIW - 7036ZRH	EA	30	\$599.64	\$17,989.20	EJ USA, Inc.
217	NA	FRAME-INLET- EJIW - 7036ZLH	EA	30	\$599.64	\$17,989.20	EJ USA, Inc.
218	NA	GRATE-INLET-EJIW-7030T6	EA	60	\$149.71	\$8,982.60	EJ USA, Inc.
219	NA	Grade Ring - MH - 24" ID x 1.25"h - Ladtech or equal	EA	1	No Bid		
220	NA	Grade Ring - MH - 24" ID x 1.50"h - Ladtech or equal	EA	1	\$89.69	\$89.69	EJ USA, Inc.
221	NA	Grade Ring - MH - 24" ID x 2.0"h - Ladtech or equal	EA	1	\$114.05	\$114.05	EJ USA, Inc.
222	SINLETS017	FRAME-INLET-REC FLANGE- 32"X23.75" WIDTH - 5000Z - EJIW	EA	1			
223	SINLETS019	FRAME-INLET-RD FLANGE- 34"OD - EJIW - 5080	EA	1	\$301.42	\$301.42	EJ USA, Inc.
224	SINLETS020	Grate - Inlet - Rec 22.75"x17.75" - 5000 M2 EJIW	EA	1	\$165.30	\$165.30	EJ USA, Inc.
225	SINLETS021	Grate - Inlet - Beehive - 26" OD x 6"h - 1040 T2 EJIW	EA	1	\$211.29	\$211.29	EJ USA, Inc.
226	SINLETS022	GRATE-INLET-BEEHIVE-23" OD x 7"H - 1020 T2 - EJIW	EA	1	\$333.94	\$333.94	EJ USA, Inc.
227	SINLETS024	FRAME-INLET CURB-RD FLANGE - 7045KZ - EJIW	EA	1	\$367.55	\$367.55	EJ USA, Inc.
228	SINLETS025	BACK-INLET CURB-ROLLED CURB-7050 T1 - EJIW - 7050 Type 1	EA	1	\$141.98	\$141.98	EJ USA, Inc.
229	SINLETS026	GRATE-INLET CURB-7045M1	EA	1	\$173.08	\$173.08	EJ USA, Inc.
230	SINLETS029	GRATE-INLET CURB - NEENAH R-3249-F	EA	4	No Bid		
231	SINLETS036	EJ 7060T1 CURB INLET HOOD	EA	2	\$151.66	\$303.32	EJ USA, Inc.
232	SINLETS037	GRATE-INLET-RD-FLAT-26" OD-1040 M1	EA	2	\$201.94	\$403.88	EJ USA, Inc.
233	SINLETS038	GRATE-INLET-OVAL-26" OD X 3.25"H-1040 TN - EJIW	EA	2	\$211.29	\$422.58	EJ USA, Inc.
234	SMANHOL016	Grade Ring - MH - 30" spec - 39.5"ODx29.75"IDx1.5" - Ladtech or equal	EA	2	No Bid		

235	SMANHOL017	Grade Ring - MH - 30" spec - 39.5"ODx29.75"IDx2.25" - Ladtech or equal	EA	2	No Bid		
236	SMANHOL018	Grade Ring - MH - 24" ID x 4.0"h - Ladtech or equal	EA	2	No Bid		
237	SMANHOL020	FRAME/COVER ASSY-MH-BOLT DOWN-1045Z WI1040APT - EJIW	EA	2	\$538.54	\$1,077.08	EJ USA, Inc.
238	SMANHOL021	FRAME/COVER ASSY-MH-BOLT DWN-1040Z WI1040APT - EJIW	EA	2	\$577.80	\$1,155.60	EJ USA, Inc.
239	SMANHOL023	COVER-MH-26" OD-STORM-CITY ART-1040A - EJIW	EA	60	\$216.92	\$13,015.20	EJ USA, Inc.
240	SMANHOL024	FRAME-MH-39"OD, 24" ID, 7"H-26OD CVR-1040 - EJIW	EA	70	\$302.91	\$21,203.70	EJ USA, Inc.
241	SMANHOL026	COVER-MH-26" OD-SANITARY-CITY ART-1040A - EJIW	EA	10	\$259.95	\$2,599.50	EJ USA, Inc.
242	SMANHOL027	COVER-MH-26" OD-SEWER-GENERIC-1040A - EJIW	EA	1	\$216.92	\$216.92	EJ USA, Inc.
243	SMANHOL028	COVER-MH-26" OD -WATER-CITY ART-1040A - EJIW	EA	1	\$216.92	\$216.92	EJ USA, Inc.
244	SMANHOL029	COVER-MH-26" OD-WATER-GENERIC-1040A - EJIW	EA	1	\$216.92	\$216.92	EJ USA, Inc.
245	SMANHOL030	FRAME-MH-36"OD, 24" ID, 4"H-26OD CVR-1046Z - EJIW	EA	1	\$263.66	\$263.66	EJ USA, Inc.
246	SMANHOL031	FRAME-MH-36", 24" ID-BOLT DOWN-1040Z - EJIW	EA	1	\$345.93	\$345.93	EJ USA, Inc.
247	SMANHOL032	COVER-MH-1000C - EJIW	EA	1	\$204.21	\$204.21	EJ USA, Inc.
248		Placeholder	EA				
249		Placeholder	EA				
250		Placeholder	EA				
251		Placeholder	EA				
252		Placeholder	EA				
253		Placeholder	EA				
254		Placeholder	EA				
Unlisted Castings List Price		Percent Discount from					
		65 %					
						GROUP 11 SUBTOTAL	\$88,732.26

GROUP 12: TRAVERSE CITY FIRE HYDRANT PARTS (Reference diagram in specifications for description of Traverse City Fire Hydrant parts.)						
ITEM	MATERIAL UID	DESCRIPTION	UNIT	ESTIMATED QUANTITY	UNIT COST	TOTAL COST
						BRAND QUOTED
255	TC_COPPER_GASKET	COPPER GASKETS--USED WITH #5 ONLY (1 XI)	EA	2	No Bid	
256	NA	BRONZE STUD 1/2" (2 R)	EA	2		
257	TC_BREAT_NUT_BOLT_3"	BRONZE NUT 1/2" (3 R)	EA	2		
258	COMES AS PART OF THE VALVE TOP PIECE	CAST IRON TOP NUT (4 T)	EA	2		
259	TC_STUFF_BOX_O-RING	(5 F)	EA	2		
260	TC_O-RING	RUBBER O-RING SEALS--REQUIRES 2 (6 Y)	EA	2		
261	NA	TOP BRONZE PIECE (7 U)	EA	2		
262	NA	BRONZE HOSE NOZZLE 2 1/2" (9 G)	EA	2		
263	NA	HOSE NOZZLE CAP GASKET (12 X2)	EA	2		
264	NA	PUMPER NOZZLE CAP GASKET (2 X2)	EA	2		
265	NA	HOSE NOZZLE CAP WITH GASKET (13 E)	EA	2		
266	NA	PUMPER NOZZLE CAP WITH GASKET (14 E)	EA	2		
267	NA	STAINLESS STEEL COTTER PIN (16 W)	EA	2		
268	TC_GASKET_FULL_FACE	FULL FACE GASKET (17 X)	EA	24		
269	TC_RUBBER_GASKET	LIPPED GASKET (17)	EA	24		
270	NA	BREAK FLANGE O-RING (XB)	EA	2		
271	NA	LOCK RING (18)	EA	2		
272	NA	UPPER ROD (TRAFFIC MODEL ONLY) (19 DB)	EA	2		
273	NA	BARREL (TRAFFIC MODEL) - 30" (20 BB)	EA	2		
274	NA	ADD FOR EACH ADDITIONAL 6" OF BARREL	EA	2		
275	NA	HEX NUT (21)	EA	2		

276	NA	HEX BOLT (22)	EA	2	No Bid	
277	TC_EXT_STEM_CPLG	EXTENSION STEM COUPLING(B)	EA	6		
278	NA	(HS)	EA	2		
279	TC_BREAT_NUT_BOL T_3"	BREAKABLE BOLT & NUT-1 EACH (23,25 VB)	EA	2		
280	NA	BARREL FLANGE (24)	EA	2		
281	NA	FLANGE BOLT & NUT-1 EACH (25,29V)	EA	2		
282	NA	BREAKABLE COUPLING (26 CB)	EA	2		
283	NA	LOWER ROD-PER FOOT (27 D)	EA	2		
284	NA	BARREL (NON-TRAFFIC)-3'0" (28)	EA	2		
285	NA	ADD FOR EACH ADDITIONAL 6" OF BARREL	EA	2		
286	NA	BRONZE STEM (30 S)	EA	2		
287	NA	NAILS (31 H)	EA	2		
288	NA	O-RING SEALS-REQUIRES 2 (32 Z)	EA	2		
289	TC_VALVE_TOP_PIEC E	VALVE TOP PIECE (33 K)	EA	48		
290	TC_MAIN_VALVE_RU BBER	MOLDED VALVE RUBBER (34 J)	EA	48		
291	NA	BRONZE VALVE SEAT (35 M)	EA	48		
292	TC_VALVE_BOTTOM	VALVE BOTTOM PIECE (36 L)	EA	40		
293	NA	BRONZE VALVE NUT (37 N)	EA	2		
294	NA	(38 O)	EA	2		
295	NA	SET SCREW (40)	EA	2		
296	NA	DRIP VALVE LEATHER WITH NAILS & RIVET SET (41 I)	EA	2		
297	NA	RIVET OR DRIP NAIL-SET OF 5 (58)	EA	2		
298	TC_LOW_STEM_7FT	TC, LOWER STEM 7FT	EA	2		
Unlisted Traverse City Fire Hydrant Parts Percent Discount from List Price						%
					GROUP 12 SUBTOTAL	No Bid

GOURP 13: STAINLESS STEEL REPAIR CLAMPS AND TAPPING SLEEVES

ITEM	MATERIAL UID	DESCRIPTION	UNIT	ESTIMATED QUANTITY	UNIT COST	TOTAL COST	BRAND QUOTED
299	SSRCTS_04X08X1	SSTS 4" X 1" CC SP	EA	4	No Bid		
300	SSRCTS_04X08X1.5	SSTS 4" X 1-1/2" CC SP	EA	4			
301	SSRCTS_04X12X1	SSTS 4" X 1" CC LP	EA	4			
302	SSRCTS_04X12X1.5	SSTS 4" X 1-1/2" CC LP	EA	4			
303	SSRCTS_06X06	SSTS 6" X 6" FLANGE	EA	2			
304	SSRCTS_06X08X1	SSTS 6" X 1" CC SP	EA	4			
305	SSRCTS_06X12X1	SSTS 6" X 1" CC LP	EA	4			
306	SSRCTS_06X12X1.5	SSTS 6" X 1-1/2" CC	EA	2			
307	SSRCTS_06X12X2	SSTS 6" X 2" CC	EA	2			
308	SSRCTS_08X06	SSTS 8" X 6" FLANGE	EA	2			
309	SSRCTS_08X08X1	SSTS 8" X 1" CC SP	EA	4			
310	SSRCTS_08X12X1	SSTS 8" X 1" CC LP	EA	4			
311	SSRCTS_08X20X1.5	SSTS 8" X 1-1/2" CC	EA	4			
312	SSRCTS_10X10X1.5	SSTS 10" X 1-1/2" CC	EA	4			
313	SSRCTS_12X06	SSTS 12" X 6" FLANGE	EA	2			
314	SSRCTS_12X1.5	SSTS 12" X 1-1/2" CC	EA	2			
315	SSRCTS_12X12X1	SSTS 12" X 1" CC	EA	4			
316	SSRCTS_16X06	SSTS 16" X 6" FLANGE	EA	2			
317	SSRCTS_20X06	SSTS 20" X 6" FLANGE	EA	2			
318	SSRC_04X08	SSRC 4" X 8"	EA	24			
319	SSRC_04X12	SSRC 4" X 12"	EA	24			
320	SSRC_04X20	SSRC 4" X 20"	EA	4			
321	SSRC_04X25	SSRC 4" X 25"	EA	4			
322	SSRC_04X30	SSRC 4" X 30"	EA	4			
323	SSRC_06X08	SSRC 6" X 8"	EA	60			
324	SSRC_06X12	SSRC 6" X 12"	EA	24			
325	SSRC_06X16	SSRC 6" X 16"	EA	6			
326	SSRC_06X20	SSRC 6" X 20"	EA	4			
327	SSRC_06X24	SSRC 6" X 24"	EA	4			
328	SSRC_06X30	SSRC 6" X 30"	EA	2			

329	SSRC_06X36	SSRC 6" X 36"	EA	2	No Bid		
330	SSRC_08X08	SSRC 8" X 8"	EA	72			
331	SSRC_08X12	SSRC 8" X 12"	EA	24			
332	SSRC_08X16	SSRC 8" X 16"	EA	2			
333	SSRC_08X24	SSRC 8" X 24"	EA	2			
334	SSRC_08X30	SSRC 8" X 30"	EA	2			
335	SSRC_10X10	SSRC 10" X 10"	EA	2			
336	SSRC_10X12	SSRC 10" X 12"	EA	2			
337	SSRC_10X16	SSRC 10" X 16"	EA	2			
338	SSRC_10X24	SSRC 10" X 24"	EA	4			
339	SSRC_12X12	SSRC 12" X 12"	EA	4			
340	SSRC_12X12_FSM	SSRC 12" X 12" Steel Main	EA	4			
341	SSRC_12X15	SSRC 12" X 15"	EA	2			
342	SSRC_12X16	SSRC 12" X 16"	EA	4			
343	SSRC_12X20	SSRC 12" X 20"	EA	6			
344	SSRC_12X24	SSRC 12" X 24"	EA	4			
345	SSRC_12X30	SSRC 12" X 30"	EA	2			
346	SSRC_14X12	SSRC 14" X 12"	EA	4			
347	SSRC_14X16	SSRC 14" X 16"	EA	4			
348	SSRC_16X15	SSRC 16" X 15"	EA	2			
349	SSRC_16X30	SSRC 16" X 30"	EA	2			
350	SSRC_18X12	SSRC 18" X 12"	EA	2			
351	SSRC_20X12	SSRC 20" X 12"	EA	2			
352	SSRC_20X16	SSRC 20" X 16"	EA	6			
353	SSRC_20X20	SSRC 20" X 20"	EA	2			
354	SSRC_20X25	SSRC 20" X 25"	EA	6			
355	SSRC_20X30	SSRC 20" X 30"	EA	2			
356	SSRC_24X20	SSRC 24" X 20"	EA	2			
357	SSRC_24X24	SSRC 24" X 24"	EA	2			
Unlisted Stainless Steel Repair Clamps							
Percent Discount from List Price							%
GROUP 13 SUBTOTAL						No Bid	

GROUP 14: SEWER AND DRAINAGE PIPE AND FITTINGS						
ITEM	MATERIAL UID	DESCRIPTION	UNIT	ESTIMATED QUANTITY	UNIT COST	TOTAL COST
SDR						
358	SPIPE 019	Pipe, PVC, Sched 40, 4"	L_Ft	20	No Bid	
359	SPIPE 020	Pipe, PVC, Sched 40, 6"	L_Ft	20		
360	SPIPE 021	PIPE, PVC 8" SCHEDULE 40	L_Ft	20		
361	SPIPE 024	PIPE, N-12 12" RIBBED BLACK PLASTIC - 45 1294AN	L_Ft	100		
362	SPIPE 025	PIPE, N-12 15" RIBBED BLACK PLASTIC	L_Ft	30		
363	SPIPE 026	PIPE, N-12 10" RIBBED BLACK PLASTIC	L_Ft	40		
364	SPIPE_028 PIPE, PVC 6 SDR 26	Pipe, PVC 6" SDR 26 GREEN GASKETED	L_Ft	28		
365	SPIPE 028	PIPE, PVC 8" SDR 26 GREEN GASKETED	L_Ft	112		
366	SPIPE 029	PIPE, PVC 10" SDR26 GREEN GASKETED	L_Ft	28		
367	SPIPE 030	PIPE, PVC 12" SDR26 GREEN GASKETED	L_Ft	28		
368	NA	Pipe, SDR 26, 18"	L_Ft	28		
369	NA	Pipe, PVC 6" SDR 35 GREEN GASKETED	L_Ft	28		
370	NA	Pipe, SDR 35, 10"	L_Ft	28		
371	NA	Pipe, SDR 35, 12"	L_Ft	28		
372	SPIPE 031	PIPE, PVC 8" SDR 35 GREEN GASKETED	L_Ft	108		
373	SPIPE033	Pipe, SDR 35, 18"	L_Ft	28		
374	SPIPE034	Pipe, SDR 35, 15"	L_Ft	28		
375	SPIPE035	Pipe, SDR 26, 15"	L_Ft	28		
376	4 HW SWR SDR26 GSKT CAP	CAP, 4HW SDR 26 Gasket Cap	EA	6		
377	6 HW SWR SDR26 GASKET CAP	CAP, 6HW SDR 26 Gasket Cap	EA	4		
378	6X4 HW SWR SDR26 WYE GXG	WYE 6x4 SDR 26, GxG	Ea	6		
PVC -- SOLVENT WELD SOCKET -- SCHEDULE 40						
379	NA	TEE, PVC, Sched 40, 4"	EA	2		

380	STEEES 001	TEE, PVC, Sched 40, 6"	EA	2	No Bid	
381	SCPLNGS001	COUPLING, 4" PVC	EA	2		
382	SCPLNGS004	COUPLING, PVC 6"	EA	2		
383	SCPLNGS008	COUPLING, 8" PVC	EA	2		
384	SBENDS 001	BEND, 4" PVC 22 1/2 DEGREE	EA	10		
385	NA	BEND, 4" PVC 22 1/2 DEGREE, Street	EA	2		
386	SBENDS 003	BEND, 4" PVC 45 DEGREE	EA	6		
387	NA	BEND, 4" PVC 45 DEGREE, Street	EA	2		
388	SBENDS 005	BEND, 6" PVC 22 1/2 DEGREE	EA	2		
389	NA	BEND, 6" PVC 22 1/2 DEGREE, Street	EA	2		
390	SBENDS 008	BEND, 6" 45 DEGREE 1/8TH BEND/PVC	EA	2		
391	NA	BEND, 6" 45 DEGREE 1/8TH BEND/PVC, Street	EA	2		
392	NA	Cleanout, PVC, Sched 40, 4" Female body w/ cap	EA	2		
393	NA	Cleanout, PVC, Sched 40, 6" Female body w/ cap	EA	2		
394	NA	Wye, PVC, Sched 40, 4"	EA	2		
395	NA	Wye, PVC, Sched 40, 6"	EA	2		
COUPLINGS - STANDARD ELASTOMERIC						
396	SCPLNG029	FERNCO 6" AC TO P	EA	2		
397	SCPLNG030	FERNCO 4X3 P TO P	EA	2		
398	SCPLNG031	FERNCO 10" P TO P	EA	2		
399	SCPLNG032	FERNCO 2" P TO P	EA	2		
400	SCPLNG033	FERNCO 15" CL TO P	EA	2		
401	SCPLNG034	FERNCO 15" X 15" CL X CI/PVC	EA	2		
402	SCPLNGS002	FERNCO 4"X4" C-C	EA	36		
403	SCPLNGS003	FERNCO 4" CLAY-CI/PLASTI	EA	12		
404	SCPLNGS005	FERNCO 6" X 6", C-C	EA	2		
405	SCPLNGS006	FERNCO 6" CLAY-PVC OR CI	EA	8		