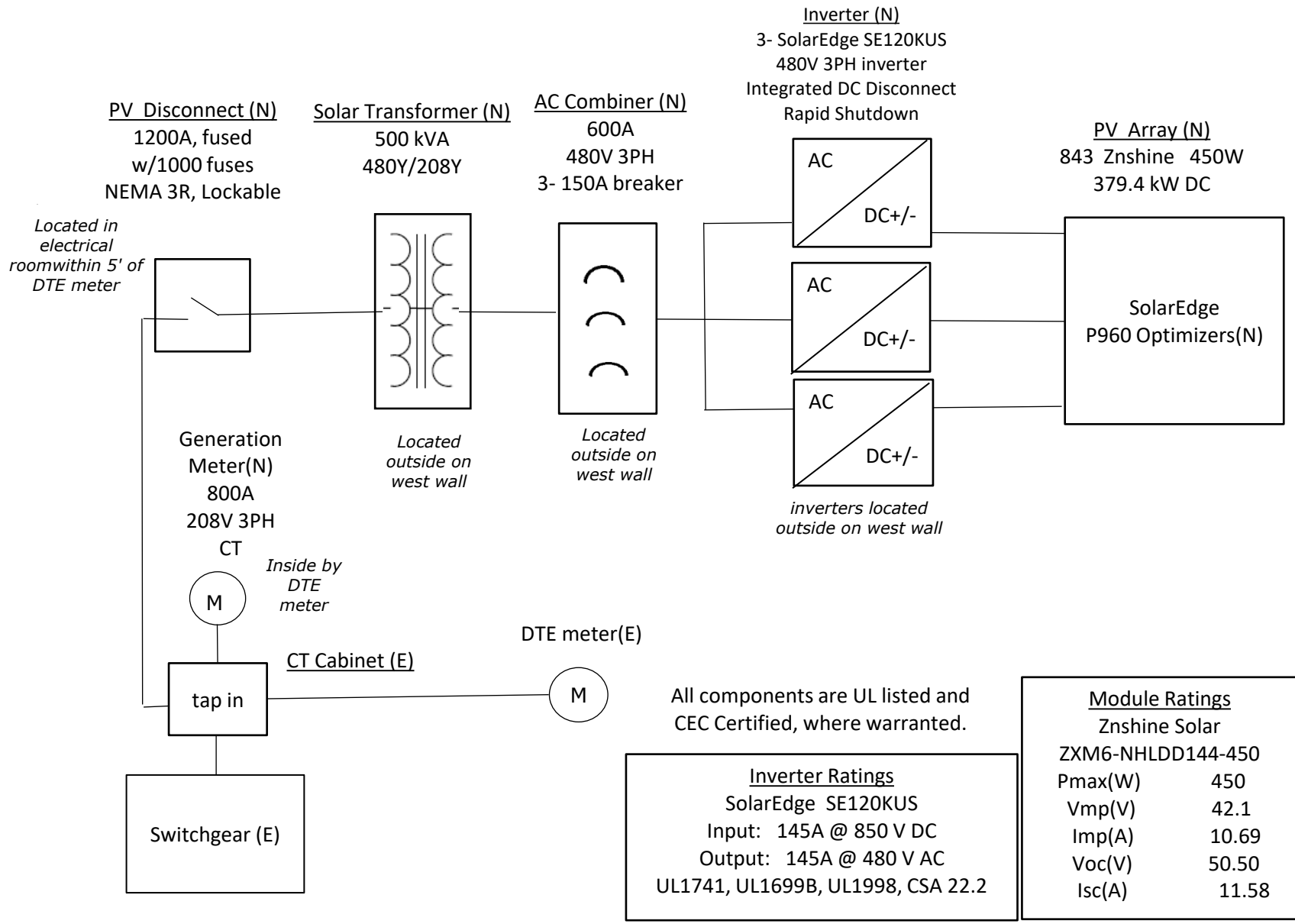


(N) = New  
(E) = Existing

**Electrical One Line: Category 3, 379.4 kW DC 330kW AC**  
All work to comply with the 2017 Michigan Electrical Code



All components are UL listed and CEC Certified, where warranted.

**Inverter Ratings**  
SolarEdge SE120KUS  
Input: 145A @ 850 V DC  
Output: 145A @ 480 V AC  
UL1741, UL1699B, UL1998, CSA 22.2

**Module Ratings**  
Znshine Solar  
ZXM6-NHLDD144-450

Pmax(W)	450
Vmp(V)	42.1
Imp(A)	10.69
Voc(V)	50.50
Isc(A)	11.58

**Installer:**  
Homeland Solar  
4975 Miller  
Ann Arbor, MI 48103  
License #2102200014

**Owner:**  
Veterans Park  
2150 Jackson Ave  
Ann Arbor, MI 48103

drawn by  
L. Hoot  
5/23/2022



1. All installation materials and methods will comply with requirements of Michigan 2015 Building Code and 2017 National Electrical Code, in particular NEC 2017 Article 690.
2. SolarEdge inverters and optimizers provide overcurrent, DC ground fault protection, arc fault detection, and rapid shutdown compliant with NEC 690.
3. If existing grounding electrode cannot be verified, contractor shall install supplemental ground electrode per NEC 2017 Article 250.
4. All equipment and raceways will be bonded and grounded per code and manufacturers instructions.