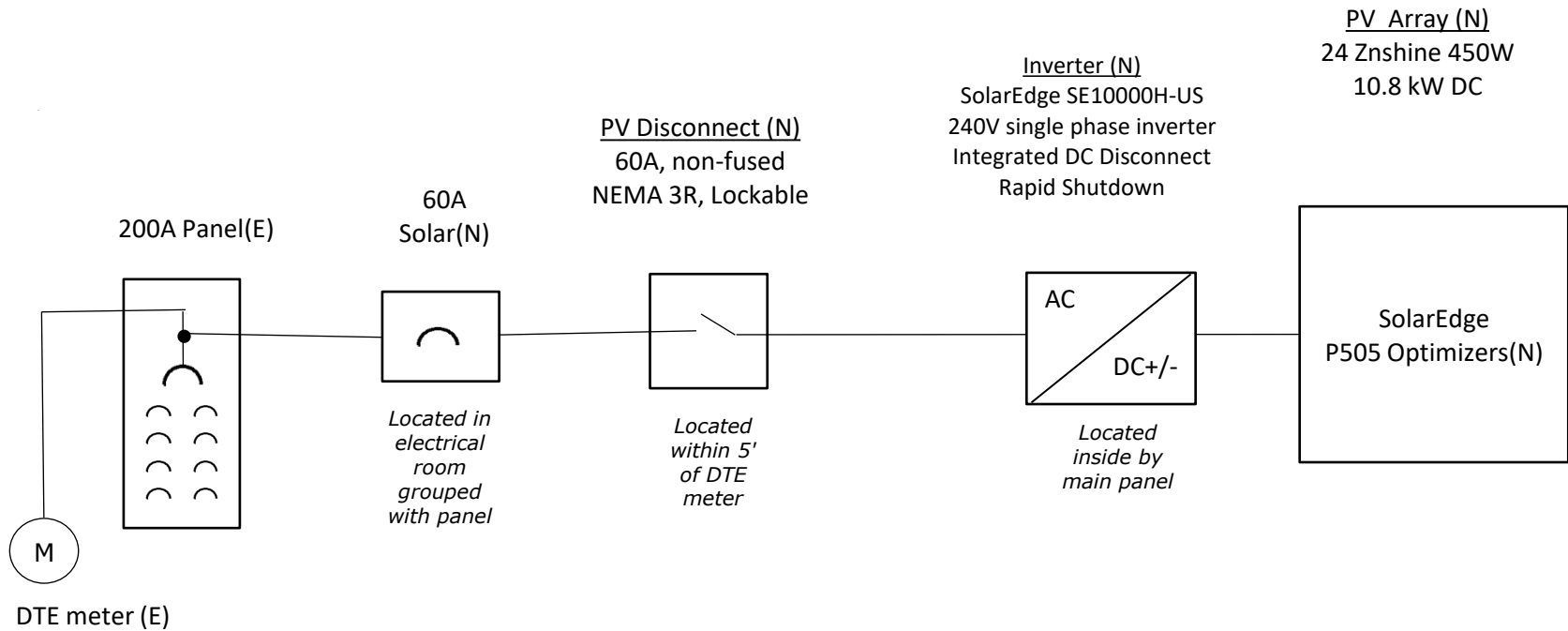


(N) = New
(E) = Existing

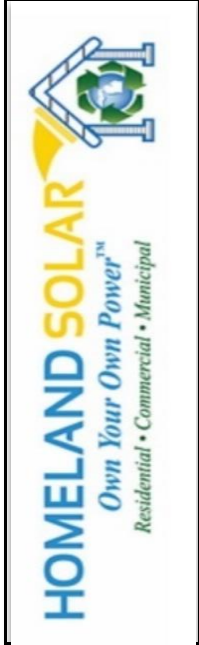
Electrical One Line: Category 1, 10.8 kW DC 10kW AC
All work to comply with the 2017 Michigan Electrical Code



Installer
Homeland Solar
4975 Miller
Ann Arbor, MI 48103
License #2102200014

Owner
Leslie Park Golf Course
2120 Traver Rd
Ann Arbor, MI 48105
Maintenance Barn

drawn by
L. Hoot
5/20/2022



All components are UL listed and CEC Certified, where warranted.

Inverter Ratings	
SolarEdge	SE10000H-US
Input:	27A @ 400 V DC
Output:	42A @ 240 V AC
UL1741, UL1699B, UL1998, CSA 22.2	

Module Ratings	
Znshine Solar	
ZXM6-NHLDD144-450	
Pmax(W)	450
Vmp(V)	42.1
Imp(A)	10.69
Voc(V)	50.50
Isc(A)	11.58

1. All installation materials and methods will comply with requirements of Michigan 2015 Building Code and 2017 National Electrical Code, in particular NEC 2017 Article 690.
2. SolarEdge inverters and optimizers provide overcurrent, DC ground fault protection, arc fault detection, and rapid shutdown compliant with NEC 690.
3. If existing grounding electrode cannot be verified, contractor shall install supplemental ground electrode per NEC 2017 Article 250.
4. All equipment and raceways will be bonded and grounded per code and manufacturers instructions.