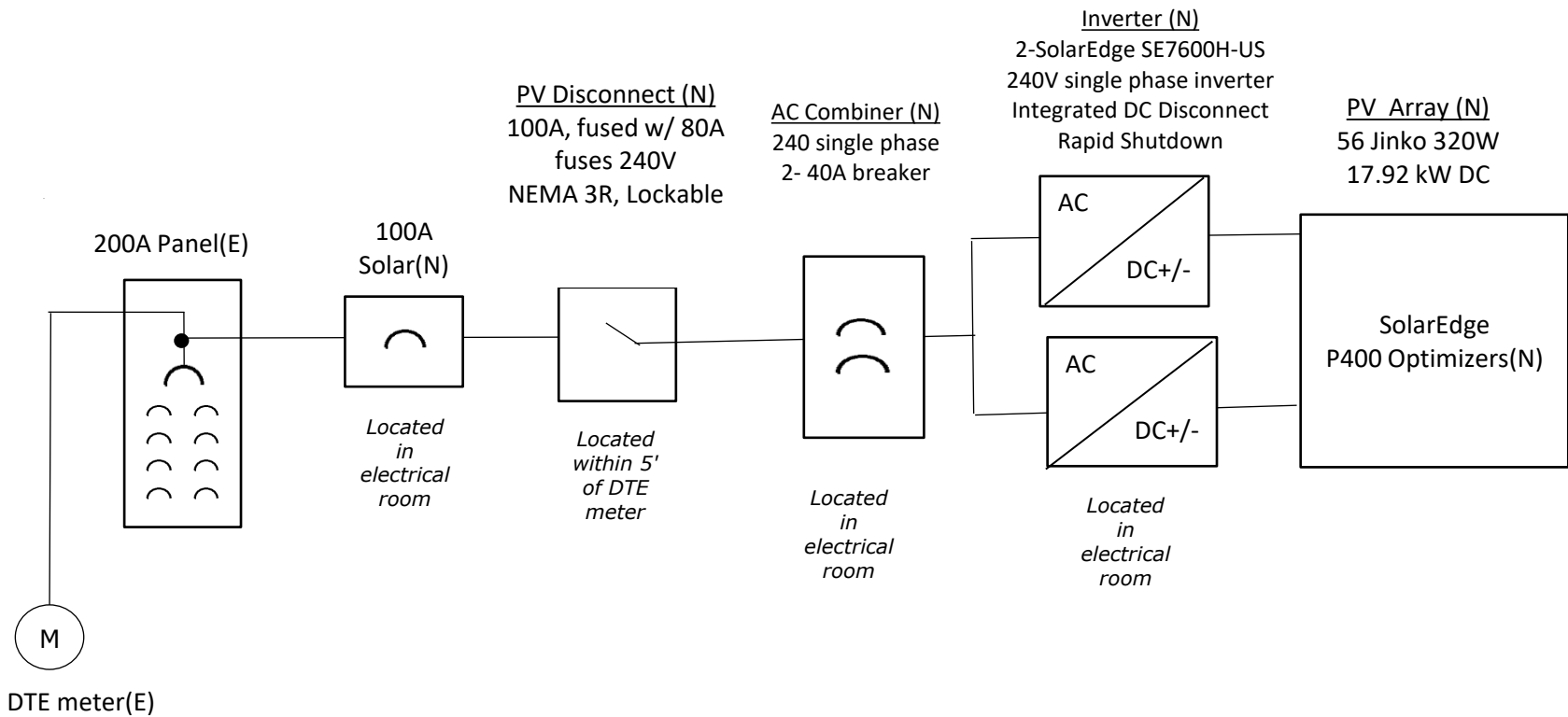


(N) = New  
(E) = Existing

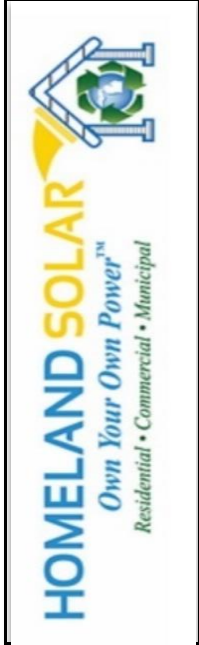
**Electrical One Line: Category 1, 17.92 kW DC 15.2kW AC**  
*All work to comply with the 2017 Michigan Electrical Code*



**Installer:**  
 Homeland Solar  
 4975 Miller  
 Ann Arbor, MI 48103  
 License #2102200014

**Owner:**  
 Gallup Canoe Livery  
 3000 Fuller Rd  
 Ann Arbor, MI 48105

drawn by  
 L. Hoot  
 5/20/2022



All components are UL listed and CEC Certified, where warranted.

**Inverter Ratings**

SolarEdge SE7600H-US
Input: 20A @ 400 V DC
Output: 32A @ 240 V AC
UL1741, UL1699B, UL1998, CSA 22.2

**Module Ratings**

Jinko Solar	
JKM320M-60L	
Pmax(W)	320
Vmp(V)	33.4
Imp(A)	9.59
Voc(V)	40.9
Isc(A)	10.15

1. All installation materials and methods will comply with requirements of Michigan 2015 Building Code and 2017 National Electrical Code, in particular NEC 2017 Article 690.
2. SolarEdge inverters and optimizers provide overcurrent, DC ground fault protection, arc fault detection, and rapid shutdown compliant with NEC 690.
3. If existing grounding electrode cannot be verified, contractor shall install supplemental ground electrode per NEC 2017 Article 250.
4. All equipment and raceways will be bonded and grounded per code and manufacturers instructions.