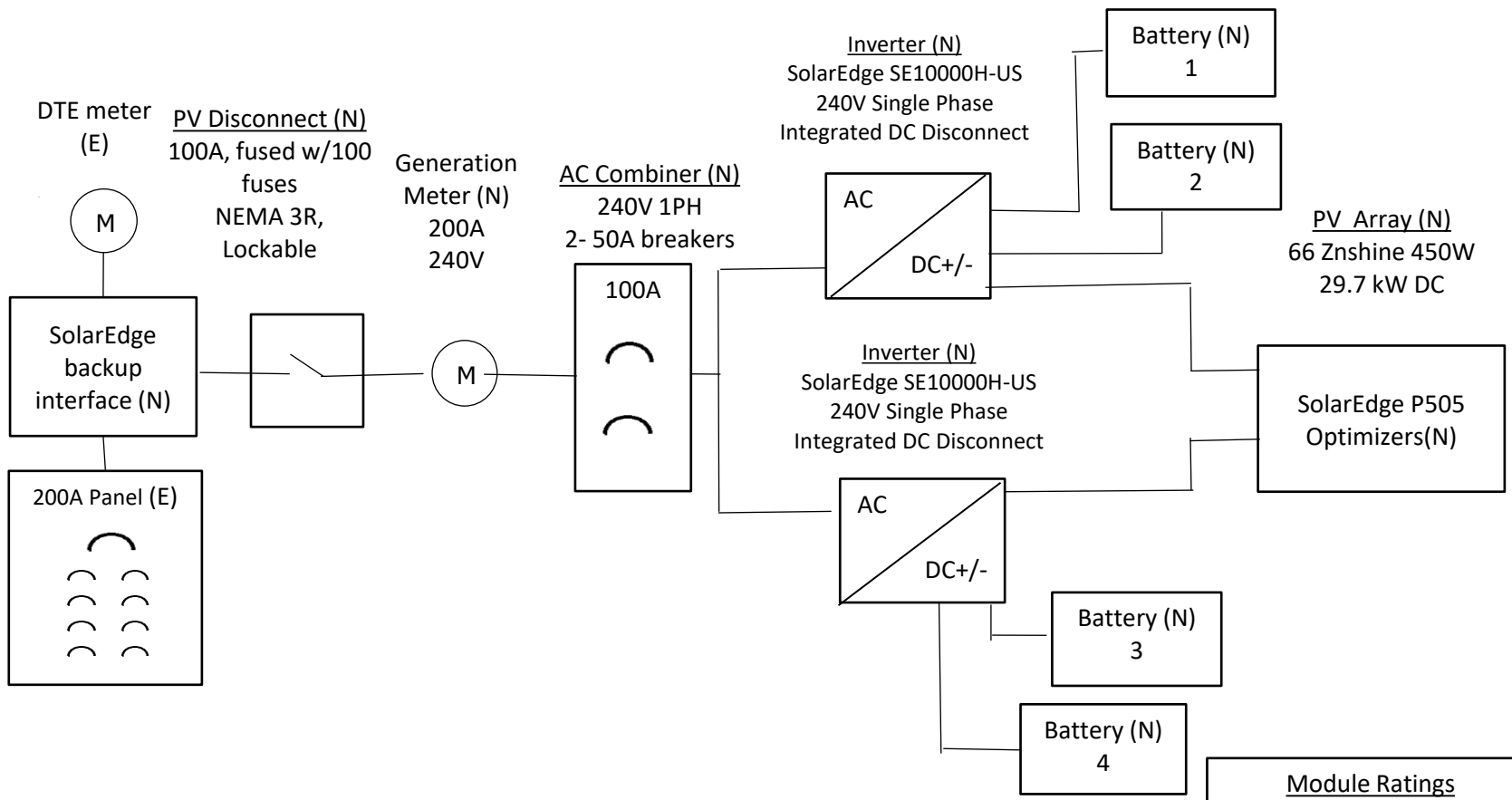


(N) = New  
(E) = Existing

*Electrical One Line: Category 2, 29.75 kW DC 20kW AC*  
*All work to comply with the 2017 Michigan Electrical Code*



All components are UL listed and CEC Certified, where warranted.

<u>Battery</u> RESU16H Prime Usable Energy: 16.0kWh	<u>Inverter Ratings</u> SolarEdge SE10000H-US Input: 27A @ 400 V DC Output: 42A @ 240 V AC UL1741, UL1699B, UL1998, CSA 22.2	<u>Module Ratings</u> Znshine Solar ZXM6-NHLDD144-450 Pmax(W) 450 Vmp(V) 42.1 Imp(A) 10.69 Voc(V) 50.50 Isc(A) 11.58
---	--	---

1. All installation materials and methods will comply with requirements of Michigan 2015 Building Code and 2017 National Electrical Code, in particular NEC 2017 Article 690.
2. SolarEdge inverters and optimizers provide overcurrent, DC ground fault protection, arc fault detection, and rapid shutdown compliant with NEC 690.
3. If existing grounding electrode cannot be verified, contractor shall install supplemental ground electrode per NEC 2017 Article 250.
4. All equipment and raceways will be bonded and grounded per code and manufacturers instructions.

<p><u>Installer</u> Homeland Solar 4975 Miller Ann Arbor, MI 48103 License #2102200014</p>
<p><u>Owner</u> Burns Senior Center 1320 Baldwin Ave Ann Arbor, MI 48104</p>
<p>drawn by L. Hoot 5/23/2022</p>