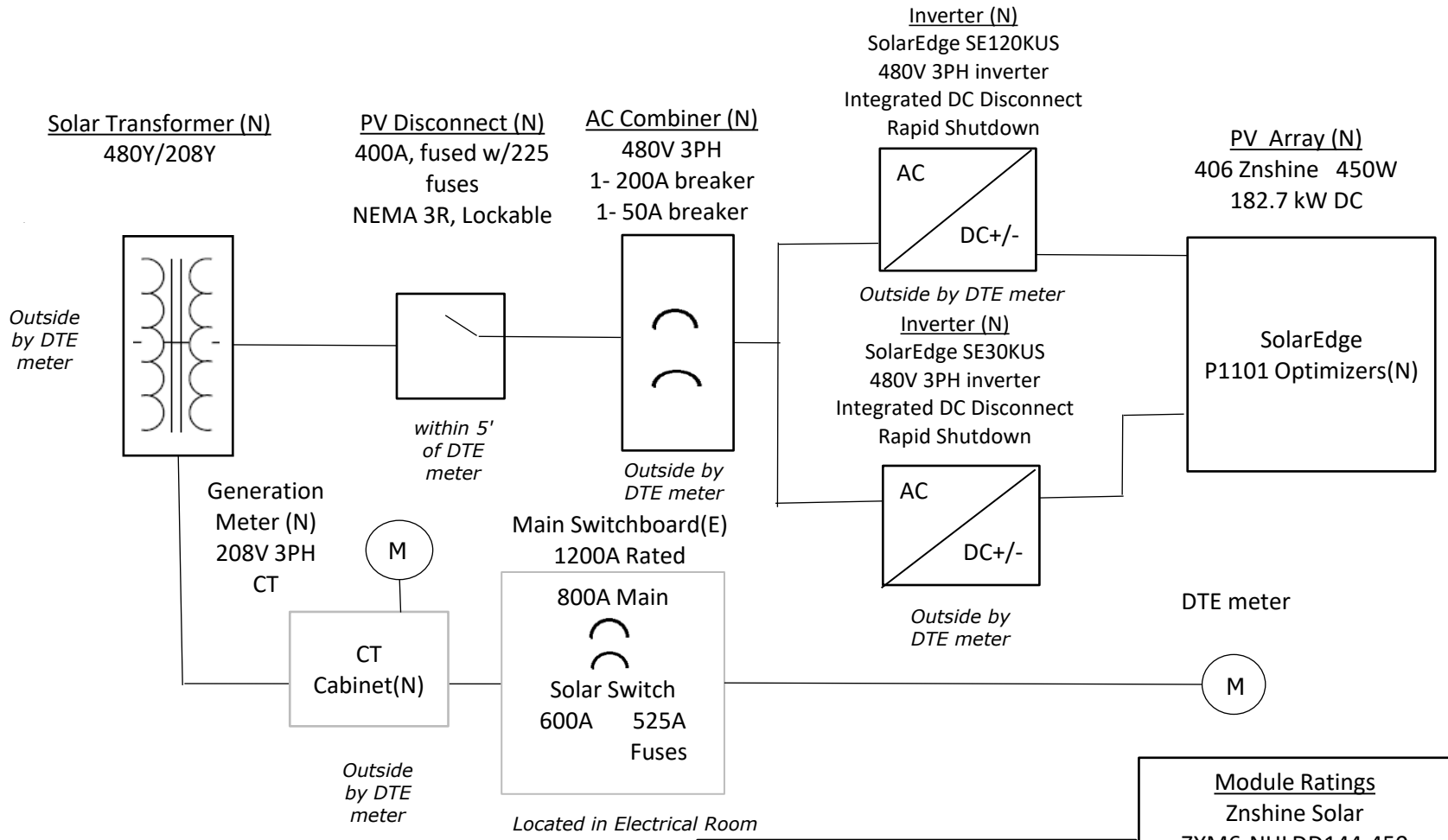


(N) = New  
(E) = Existing

**Electrical One Line: Category 3, 182.7 kW DC 150kW AC**  
All work to comply with the 2017 Michigan Electrical Code



All components are UL listed and CEC Certified, where warranted.

Inverter Ratings
SolarEdge SE30KUS
Input: 36.3A @ 850 V DC
Output: 36.25A @ 480 V AC
UL1741, UL1699B, UL1998, CSA 22.2

Inverter Ratings
SolarEdge SE120KUS
Input: 145A @ 850 V DC
Output: 145A @ 480 V AC
UL1741, UL1699B, UL1998, CSA 22.2

Module Ratings	
Znshine Solar	
ZXM6-NHLDD144-450	
Pmax(W)	450
Vmp(V)	42.1
Imp(A)	10.69
Voc(V)	50.50
Isc(A)	11.58

**Installer:**  
Homeland Solar  
4975 Miller  
Ann Arbor, MI 48103  
License #2102200014

**Owner:**  
Buhr Park  
2751 Packard St  
Ann Arbor, MI 48104

drawn by  
L. Hoot  
5/23/2022



1. All installation materials and methods will comply with requirements of Michigan 2015 Building Code and 2017 National Electrical Code, in particular NEC 2017 Article 690.
2. SolarEdge inverters and optimizers provide overcurrent, DC ground fault protection, arc fault detection, and rapid shutdown compliant with NEC 690.
3. If existing grounding electrode cannot be verified, contractor shall install supplemental ground electrode per NEC 2017 Article 250.
4. All equipment and raceways will be bonded and grounded per code and manufacturers instructions.