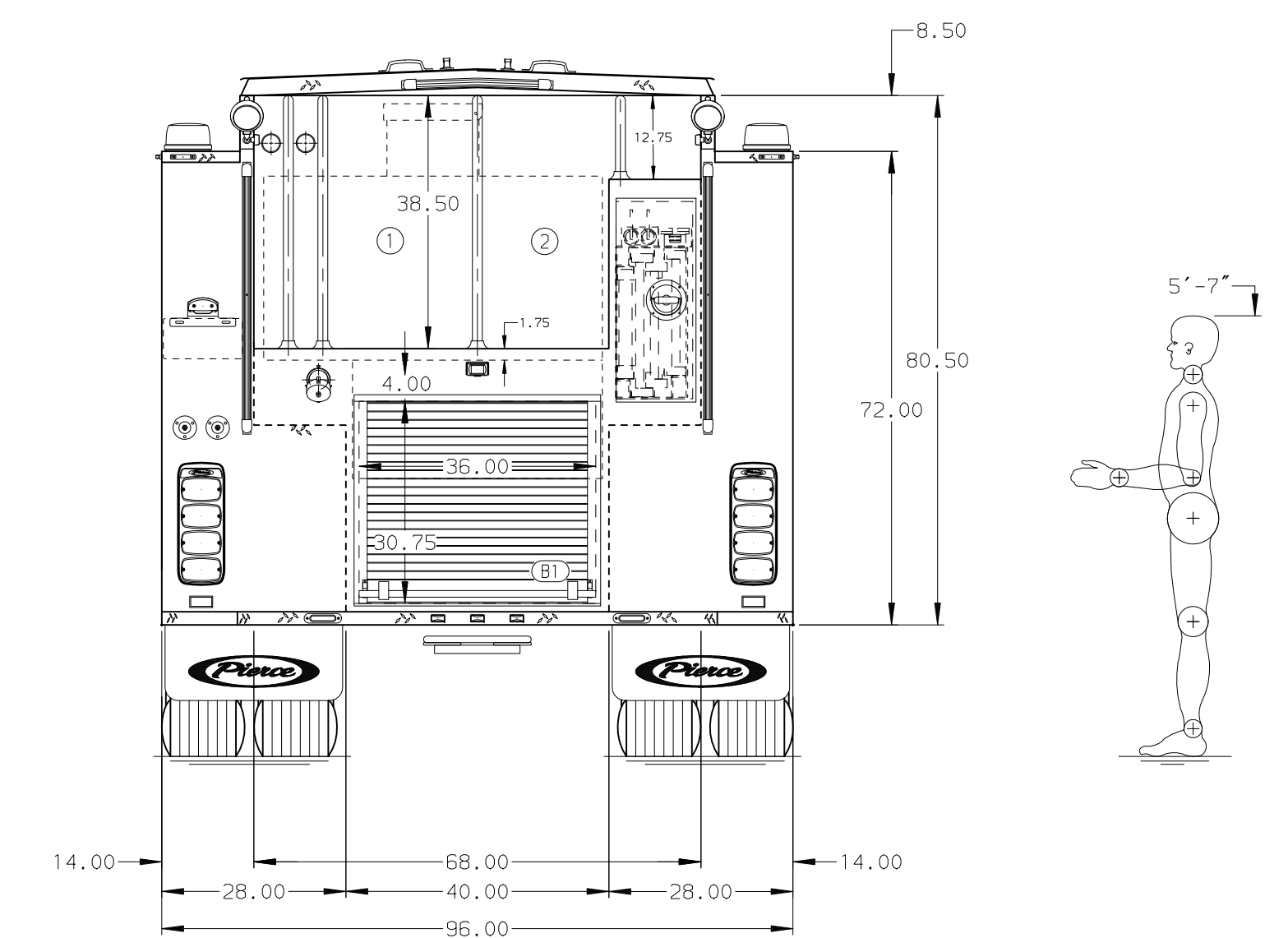
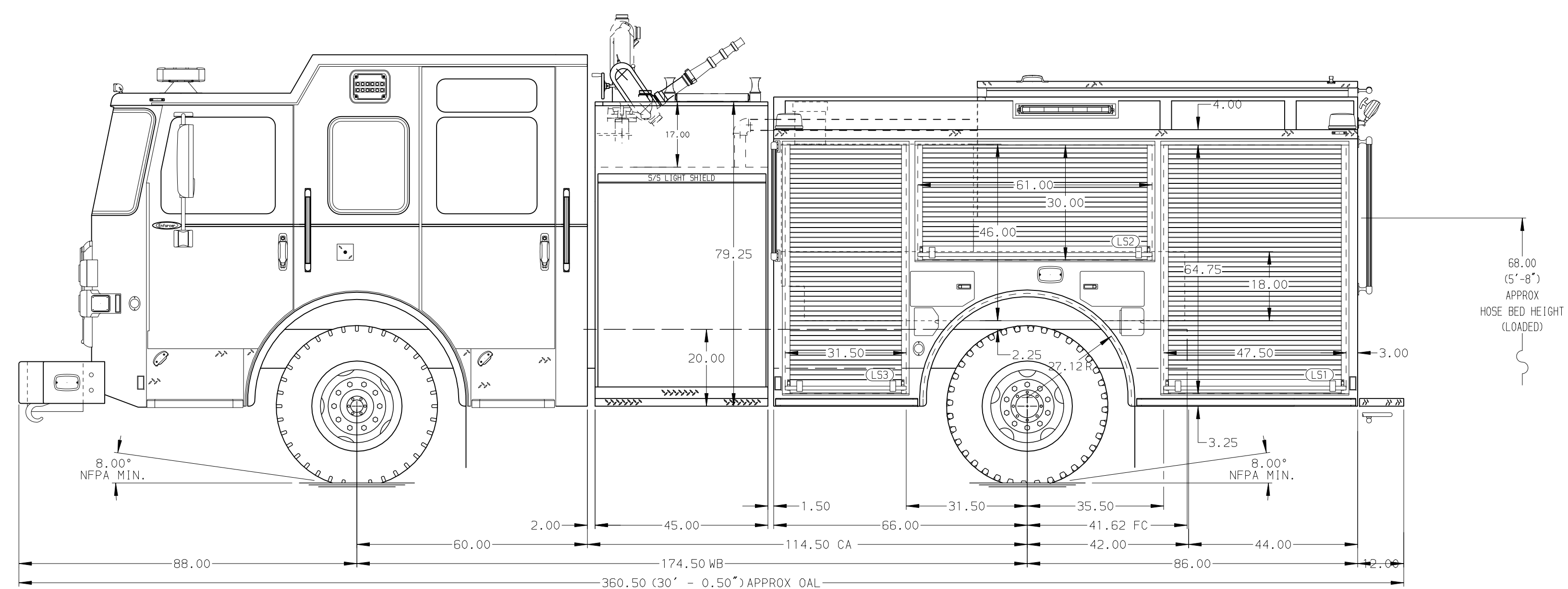


HOSE BED CAPACITIES
 ① 1000' OF 5.00" D.J. POLY HOSE
 ② 1000' OF 3.00" D.J. POLY HOSE



ALUMINUM BODY

NOTE
 DIMENSIONS SHOWN ARE APPROXIMATE
 AND ARE SUBJECT TO MINOR DEVIATIONS
 AS MAY OCCUR OR BE NECESSARY IN
 CONSTRUCTION.
 MINOR DETAILS NOT SHOWN.

CUSTOMER APPROVAL			
APPROVED BY: _____			
DATE: _____			
REV	DATE	BY	CH
05MAY22	JRC	-	PIERCE
09MAR22	JRC	AMI	MODEL
			ENFORCER



TITLE	1500-D-500P, 152" PUMPER BODY, BOOSTER REEL, NY STYLE LADDERS BETWEEN TANK & SIDE SHEET, FRONT INLET
FOR	ANN ARBOR FIRE DEPARTMENT HALT FIRE INC.
DWG NO.	05-0131

JOB NO.	PRELIM
SCALE	1:24
DATE	15FEB22
DRAWN BY	BTH
CHECKED BY	AMI
SHEET SIZE	D
SHEET NO.	1 OF 1