



777 DOHENY COURT  
PO BOX 609  
NORTHVILLE MI 48167  
t 248.349.0904  
f 248.349.2774

For: City of Ann Arbor  
Fleet Division  
4251 Stone School Rd.  
Ann Arbor, MI 48108

Date: November 21, 2018

Attn: Mr. Scott Bowling, Fleet Supervisor  
Email: sbowling@a2gov.org  
Phone: 734-794-6390

Sourcewell Contract #: 122017-FSC  
Contract Holder: Federal Signal Corp.  
JDC Quote ID: 12148

**RE: Proposal Summary for New 2020 Freightliner 6x4 Vactor Combination Sewer and Catch Basin Cleaner**

**WE ARE PLEASED TO SUBMIT THIS SUMMARY QUOTATION FOR THE EQUIPMENT LISTED BELOW:**

**One (1) New Model Vactor Combination Sewer Cleaner per attached Vactor-NJPA Build-Quote Configurator:**

Vactor Model 2115i824-RDB Base Module / Options Total:	\$ 346,069.00
Vactor Module / Options 3% Contract Discount:	(10,382.00)
<b>Total Net Vactor Module w-Options Total:</b>	<b>\$ 335,687.00</b>
JDC Supplied 2020 Western Star 4700, 6x4, Cummins L-9 / 3000RDS:	\$ 105,538.00
Freight / Delivery / Training FOB Ann Arbor, MI:	\$ Included
<b>Total Net Vactor Module w-Options Mounted on Vactor Approved Chassis:</b>	<b>\$ 448,490.00</b>

*Lead-Time Order, Build & Delivery 150-180 days*

This quotation becomes a contract for payment and delivery of the merchandise listed above  
ONLY when signed by the customer or one of its officers.

Customer: City of Ann Arbor, Michigan

By: \_\_\_\_\_

Date: \_\_\_\_\_

  
\_\_\_\_\_  
David R. Snyder – 248-939-3223  
Jack Doheny Companies, Inc.



Date: November 21, 2018

---

Customer: City of Ann Arbor - Fleet Services

---

Address: 4251 Stone School Rd.

---

Ann Arbor, MI 48108

---

Phone: 734-794-6390

---

Email: [sbowling@a2gov.org](mailto:sbowling@a2gov.org)

---

Attn: Mr. Scott Bowling, Superintendent

---

Agent: David R. Snyder

---

Contract: Sourcewell (NJPA) #022014

---

		List	Selected
1	2115P-18	2100i PD, 18" Vacuum, 15 yrd Debris, Combo	\$ 250,588 \$ 250,588

**Debris Body Options**

1	020PSTD	Double Acting Hoist Cylinder	STD	STD
1	026PSTD	Ex-Ten Steel Cylindrical Debris Tank	STD	STD
1	045PSTD	Suction Tube Storage - 4 Pipe	STD	STD
1	1001PSTD	Flat Rear Door w/Hydraulic Locks	STD	STD
1	1005PSTD	Dual Stainless Steel Float Shut Off System	STD	STD
1	1024PSTD	Debris Body Vacuum Relief System	STD	STD
1	1031PSTD	Debris Deflector Plate	STD	STD
1	1033PSTD	60" Dump Height - Tandem-Axle Units	STD	STD
1	2023PSTD	Liquid Float Level Indicator	STD	STD
1	1003P	Debris Body Washout	\$ 1,472	\$ 1,472
1	1004P	Debris Body Load Limit Alarm tied to Body Vac Relief	\$ 2,027	\$ 2,027
1	3021P	Debris Body Level Indicator	\$ 878	\$ 878
1	1008PA	6" Door Knife Valve, Camlock, Port Basket Screen, 6:00	\$ 1,444	\$ 1,444
1	1009P	Internally Mounted Trash Pump w/Screen	\$ 10,664	\$ 10,664
1	1010PC	Pump Off Plumbing to Back of Cab	\$ 2,913	\$ 2,913
1	1014PA	Centrifugal Separators (Cyclones), 304 Stainless Steel	\$ 6,639	\$ 6,639
1	1015P	Folding Pipe Rack, Curbside	\$ 1,021	\$ 1,021
1	1022P	Rear Door Splash Shield	\$ 1,499	\$ 1,499
1	1023P	Lube Manifold	\$ 2,225	\$ 2,225
1	1023PA	Plastic Lube Chart	\$ 61	\$ 61

**Boom and Vacuum Options**

1	014PSTD	Electric/Hydraulic Four Way Boom	STD	STD
1	019PSTD	Intuitouch Electronic Package	STD	STD
1	016PSTD	Color Coded Sealed Electrical System	STD	STD

1	018PSTD	Remote Pendant Control With 35' Cord	STD	STD
1	1016PSTD	SS Microstrainer Prior to Blower	STD	STD
1	4010PSTD	Boom Hose Storage, Post	STD	STD
1	6017PSTD	Hydraulic Shutoff Valves	STD	STD
1	7007PSTD	Tachometer & Hourmeter/Blower	STD	STD
1	S390ASTD	7" Vacuum Pipe Package 20 ft. Pipe w-8" x 7" Reducer	STD	STD
1	3015PA	Front Blower Drive On/Off Controls	\$ 1,450	\$ 1,450
1	3017P	Blower High Temp Safety Shutdown	\$ 521	\$ 521
1	4016P	Rapid Deployment Boom - 10' Telescoping 15' Hose Payout	\$ 19,900	\$ 19,900
1	4006PSTD	Front Joystick Boom Control	STD	STD
1	4011PB	Bellypack Wireless Controls, including hose reel controls	\$ 3,032	\$ 3,032
1	4013P	Rotatable Boom Inlet 10" Hose	\$ 567	\$ 567

### Water System Options

1	2017P	Additional 200 Gallon Water, 1500 Gal Total (15 yrd)	\$ 1,333	\$ 1,333
1	5003PA	70 GPM/3000 PSI	STD	STD
1	030PSTD	Flexible Hose Guide	STD	STD
1	032PSTD	(3) Nozzles with Carbide Inserts w/Rack	STD	STD
1	2022PSTD	Additional Water Tank Sight Gauge	STD	STD
1	5010PSTD	Rodder System Accumulator	STD	STD
1	5011PSTD	3" Y-Strainer @ Water Pump w/3" Drain Valve	STD	STD
1	5015PSTD	Midship Handgun Coupling	STD	STD
1	5022PSTD	Side Mounted Water Pump	STD	STD
1	6007PSTD	Hose Reel Manual Hyd Extend/Retract	STD	STD
1	6009PSTD	Hose Reel Chain Cover	STD	STD
1	6020PBSTD	Hydraulic Extending 15", Rotating Hose Reel 800' Capacity	STD	STD
1	2001PSTD	Water Pump GPM Flow Indicator - Low Water Warning Tone	STD	STD
1	2004P	Continuous Water Tank Fill	\$ 1,743	\$ 1,743
1	2006P	Air Purge	\$ 1,273	\$ 1,273
1	3019PSTD	Digital Water Pressure Gauge	STD	STD
1	3020P	Digital Water Level Indicator	\$ 667	\$ 667
1	5008PB	Cold Weather Recirculator, 25 GPM for Automatic	\$ 1,688	\$ 1,688
1	5015P	Handgun Couplers, Front and Rear	\$ 599	\$ 599
1	6014PA	(2) High Pressured Hose Reels; Driver's side Front Bumper, Midship Passenger Side; Both Washdown/HXX	\$ 2,846	\$ 2,846
1	5021PC	Hydro Excavation Kit - Lances, Nozzles, Storage, Dig Tube	\$ 3,748	\$ 3,748
1	5029P	Cyclone Washout System	\$ 486	\$ 486
1	6002PB3	600' x 1" Piranha Sewer Hose 3000 PSI	\$ 1,227	\$ 1,227
1	6004PB	Hose Wind Guide, Auto, Indexing, Includes Pinch Roller	\$ 5,106	\$ 5,106
1	6005PDSTD	Digital Hose Footage Counter	STD	STD
1	6019P	Rodder Pump Drain Valves	\$ 489	\$ 489

### Lighting Options

1	8001PB	Rear, Signal Master LED Arrow Stick, 8 Lights	\$ 2,021	\$ 2,021
1	8002P	Hand Light w/Bumper Plug	\$ 366	\$ 366

1	8002PA	Hand Held LED Spot Light	\$ 351	\$ 351
1	8020PH	10 Light Package, 10 Federal Signal Strobe Lights, LED	\$ 2,116	\$ 2,116
1	8028P	Worklights (2), LED, Boom	\$ 767	\$ 767
1	8029PA	Worklight, LED, Operators Station	\$ 644	\$ 644
1	8029PB	Worklight, LED, Hose Reel Manhole	\$ 644	\$ 644
1	8029PC	Worklight, LED, Curb Side	\$ 484	\$ 484

#### Specialty Systems

1	7005P	Hydraulic Oil Temp Alarm	\$ 366	\$ 366
---	-------	--------------------------	--------	--------

#### Tool Storage Options

1	010PSTD	40w x 22h x 24d Curbside Toolbox	STD	STD
1	9023PA	Safety Cone Storage Rack - Post Style	\$ 160	\$ 160
1	9070PA	Toolbox, Front Bumper Mounted, 16 x 12 x 18	\$ 1,938	\$ 1,938
1	9070PB	Long Handle Tool Storage	\$ 345	\$ 345
1	9071PE	Toolbox, Behind Cab - 16w 30h x 96d	\$ 3,092	\$ 3,092
1	9073PA	Toolbox, Passenger Side Chassis Frame, 30w x 18h x 24d	\$ 1,705	\$ 1,705
1	9074PB	Toolbox, Driver Side Subframe, 16w x 20h x 24d	\$ 1,306	\$ 1,306
1	R27862	Aluminum Perforated Stoarge Basket D/S, 24w x 18h x 24d	\$ 975	\$ 975

#### Paint

1	P110STD	Module Paint, DuPont Imron Elite - Wet on Wet	STD	STD
1		Module, Boom, and Hose Reel Painted Ann Arbor Fleet		
1		Chassis Painted Ann Arbor Fleet		
1		Vactor 2100 Plus Body Decal - Multi Color		

#### Chassis

#### JDC Net

1	WS - 4700	Western Star 4700 6x4, ISL-9 / 3000 RDS (Tandem-Axle)	\$ 105,538	\$ 105,538.00
---	-----------	---	------------	---------------

#### Chassis Options

1	011PSTD	Aluminum Fenders	STD	STD
1	012PSTD	Mud Flaps	STD	STD
1	7001PSTD	Tachometer/Chassis Engine w/Hourmeter	STD	STD
1	7003PSTD	Water Pump Hour Meter	STD	STD
1	7004PSTD	PTO Hour Meter	STD	STD
1	8000PSTD	Circuit Breakers	STD	STD
1	8025PSTD	LED Lights, Clearance, Back-up, Stop, Tail & Turn	STD	STD
1	9002PSTD	Tow Hooks, Front	STD	STD
1	9002PSTD	Chassis Engine Cooling Package for Small Block Engines	STD	STD
1	9003PSTD	Electronic Back-Up Alarm	STD	STD
1	S560STD	Emergency Flare Kit	STD	STD
1	S590STD	Fire Extinguisher 5 Lbs.	STD	STD

#### Additional Parts

1	046PSTD	1" Nozzle Pipe	STD	STD
1	89957A-30	8" x 3'-0" Higbee C/B Nozzle Assembly	\$ 431	\$ 431
1	31096D-30	1" x 25' Leader Hose Assembly	\$ 252	\$ 252

**Non-Sourcewell Options**

Sale Price

1	Warthog	1" Magnum or Switcher - 70/3000		\$ 3,800
1	ENZ-30.100	Standard Cleaning Nozzle 6-14" Pipe - 70/3000		\$ 470
1	ENZ-36.100	Roto-Drill 6-12" Pipe - 70/3000		\$ 615
1	ENZ-40.100A	Grenade Bomb 6-12" Pipe - 70/3000		\$ 1,040
1	ENZ-60.100L	60.100L Chisel Point 6-16" Pipe - 70/3000		\$ 1,340

**Sourcewell Build-Quote Summary**

<b>Module/Options Total:</b>	<b>\$ 346,069.00</b>
Module/Options Sourcewell Discount 3%:	\$ 10,382.00
<b>Module/Options Total per Vector-Sourcewell Price Schedule:</b>	<b>\$ 335,687.00</b>
Non Sourcewell/NJPA Options Total:	\$ 7,265.00
<b>Total with Module and All Options:</b>	<b>\$ 342,952.00</b>
Western Star 4700 6x4, ISL-9 / 3000 RDS (Tandem-Axle):	\$ 105,538.00
Freight and PDI:	Included
Field Training:	Included
<b>Total with Module, Options, and Chassis:</b>	<b>\$ 448,490.00</b>

Prepared for:  
 M K  
 MDOT City of Ann Arbor  
 301 E Huron Street  
 Ann Arbor, MI 48104  
 Phone: 734-994-9124

Prepared by:  
 Edward Merrill  
 D & K TRUCK COMPANY  
 3020 Snow Rd  
 LANSING, MI 48917  
 Phone: (517) 484-1905 Ext. 129

**Please review Updated with:**

- 46,000 Axle**
- 46,000 rear suspension**
- 6 Gallon DEF tank**
- Rear tire package**
- Front heated windshield**

**Vehicle Configuration**

001-451	4700 SET-BACK FRONT AXLE CHASSIS	9,215	6,630	
004-220	2020 MODEL YEAR SPECIFIED			N/C
002-004	SET BACK AXLE - TRUCK			STD
019-002	STRAIGHT TRUCK PROVISION			STD
003-001	LH PRIMARY STEERING LOCATION			STD

**General Service**

AA1-002	TRUCK CONFIGURATION			STD
AA6-001	DOMICILED, USA 50 STATES (INCLUDING CALIFORNIA AND CARB OPT-IN STATES)			STD
A85-010	UTILITY/REPAIR/MAINTENANCE SERVICE			N/C
A84-1GM	GOVERNMENT BUSINESS SEGMENT			N/C
AA4-002	LIQUID BULK COMMODITY			N/C
AA5-002	TERRAIN/DUTY: 100% (ALL) OF THE TIME, IN TRANSIT, IS SPENT ON PAVED ROADS			STD
AB1-008	MAXIMUM 8% EXPECTED GRADE			STD
AB5-001	SMOOTH CONCRETE OR ASPHALT PAVEMENT - MOST SEVERE IN-TRANSIT (BETWEEN SITES) ROAD SURFACE			STD
995-1A6	WESTERN STAR SEVERE SERVICE WARRANTY			N/C
A66-99D	EXPECTED FRONT AXLE(S) LOAD : 20000.0 lbs			
A68-99D	EXPECTED REAR DRIVE AXLE(S) LOAD : 46000.0 lbs			
A67-99D	EXPECTED PUSHER AXLE(S) LOAD : 0.0 lbs			
A63-99D	EXPECTED GROSS VEHICLE WEIGHT CAPACITY : 66000.0 lbs			

**Truck Service**

AA3-034	SEWER/INDUSTRIAL VACUUM BODY			N/C
---------	------------------------------	--	--	-----

**Engine**



Prepared for:  
 M K  
 MDOT City of Ann Arbor  
 301 E Huron Street  
 Ann Arbor, MI 48104  
 Phone: 734-994-9124

Prepared by:  
 Edward Merrill  
 D & K TRUCK COMPANY  
 3020 Snow Rd  
 LANSING, MI 48917  
 Phone: (517) 484-1905 Ext. 129

101-22V	CUM L9 370 HP @ 2000 RPM, 2100 GOV RPM, 1250 LB/FT @ 1400 RPM	-850	-70	(\$4,724.00)
---------	--	------	-----	--------------

### Electronic Parameters

79A-075	75 MPH ROAD SPEED LIMIT			N/C
79B-000	CRUISE CONTROL SPEED LIMIT SAME AS ROAD SPEED LIMIT			N/C
79K-002	PTO MODE ENGINE RPM LIMIT - 700 RPM			N/C
79M-001	PTO MODE BRAKE OVERRIDE - SERVICE BRAKE APPLIED			N/C
79P-002	PTO RPM WITH CRUISE SET SWITCH - 700 RPM			N/C
79Q-002	PTO RPM WITH CRUISE RESUME SWITCH - 700 RPM			N/C
79S-001	PTO MODE CANCEL VEHICLE SPEED - 5 MPH			N/C
79U-007	PTO GOVERNOR RAMP RATE - 250 RPM PER SECOND			N/C
80G-002	PTO MINIMUM RPM - 700			N/C
80J-002	REGEN INHIBIT SPEED THRESHOLD - 5 MPH			N/C

### Engine Equipment

99C-017	2016 ONBOARD DIAGNOSTICS/2010 EPA/CARB/FINAL GHG17 CONFIGURATION			STD
99D-011	2008 CARB EMISSION CERTIFICATION - CLEAN IDLE (INCLUDES 6X4 INCH LABEL ON LOWER FORWARD CORNER OF DRIVER DOOR)			\$106.00
13E-001	STANDARD OIL PAN			STD
105-015	OIL FILL AND DIPSTICK LOCATED FOR ENHANCED SERVICEABILITY			\$126.00
133-004	ONE PIECE VALVE COVER			STD
014-1B5	SIDE OF HOOD AIR INTAKE WITH DONALDSON HIGH CAPACITY AIR CLEANER WITH SAFETY ELEMENT, FIREWALL MOUNTED			STD
124-1D7	DR 12V 160 AMP 28-SI QUADRAMOUNT PAD ALTERNATOR WITH REMOTE BATTERY VOLT SENSE			STD
292-209	(3) DTNA GENUINE, FLOODED STARTING, MIN 3375CCA, 585RC, THREADED STUD BATTERIES	-10		(\$169.00)
290-017	BATTERY BOX FRAME MOUNTED	35		\$63.00
282-042	LH BATTERY BOX MOUNTED AS FAR AFT AS POSSIBLE, NO GREATER THAN 60 INCHES BACK OF CAB			\$234.00
291-017	WIRE GROUND RETURN FOR BATTERY CABLES WITH ADDITIONAL FRAME GROUND RETURN			STD
289-001	NON-POLISHED BATTERY BOX COVER			N/C
293-058	POSITIVE LOAD DISCONNECT WITH CAB MOUNTED CONTROL SWITCH MOUNTED OUTBOARD DRIVER SEAT	8		\$231.00



Prepared for:  
M K  
MDOT City of Ann Arbor  
301 E Huron Street  
Ann Arbor, MI 48104  
Phone: 734-994-9124

Prepared by:  
Edward Merrill  
D & K TRUCK COMPANY  
3020 Snow Rd  
LANSING, MI 48917  
Phone: (517) 484-1905 Ext. 129

295-029	POSITIVE AND NEGATIVE POSTS FOR JUMPSTART LOCATED ON FRAME NEXT TO STARTER	2	\$80.00
107-032	CUMMINS TURBOCHARGED 18.7 CFM AIR COMPRESSOR WITH INTERNAL SAFETY VALVE		N/C
131-013	AIR COMPRESSOR DISCHARGE LINE		STD
152-041	ELECTRONIC ENGINE INTEGRAL SHUTDOWN PROTECTION SYSTEM		STD
128-037	C-BRAKE BY JACOBS WITH 2 SWITCHES; (1) ON/OFF, (1) LOW/MED/HIGH BRAKING	80	\$2,592.00
016-1C2	RH OUTBOARD UNDER STEP MOUNTED HORIZONTAL AFTERTREATMENT SYSTEM ASSEMBLY WITH RH B-PILLAR MOUNTED VERTICAL TAILPIPE		STD
28F-002	ENGINE AFTERTREATMENT DEVICE, AUTOMATIC OVER THE ROAD REGENERATION AND DASH MOUNTED REGENERATION REQUEST SWITCH		STD
239-026	10 FOOT 06 INCH (126 INCH+0/-5.9 INCH) EXHAUST SYSTEM HEIGHT		(\$4.00)
	239-200 MINIMUM ABOVE PER VACTOR		
237-1CR	RH CURVED VERTICAL TAILPIPE B-PILLAR MOUNTED ROUTED FROM STEP		STD
23U-001	6 GALLON DIESEL EXHAUST FLUID TANK		STD
30N-003	100 PERCENT DIESEL EXHAUST FLUID FILL		STD
23Y-002	DIESEL EXHAUST FLUID PUMP MOUNTED AFT OF DIESEL EXHAUST FLUID TANK		\$68.00
43X-002	LH MEDIUM DUTY STANDARD DIESEL EXHAUST FLUID TANK LOCATION		STD
242-001	STAINLESS STEEL AFTERTREATMENT DEVICE/MUFFLER/TAILPIPE SHIELD		STD
273-048	HORTON 2-SPEED DRIVEMASTER ADVANTAGE POLAREXTREME FAN DRIVE		\$365.00
276-002	AUTOMATIC FAN CONTROL WITH DASH SWITCH AND INDICATOR LIGHT, NON ENGINE MOUNTED		\$10.00
110-003	CUMMINS SPIN ON FUEL FILTER		N/C
118-008	COMBINATION FULL FLOW/BYPASS OIL FILTER		N/C
266-017	1300 SQUARE INCH ALUMINUM RADIATOR	-20	N/C
267-006	MOUNTING FOR FIREWALL MOUNTED SURGE TANK		STD
103-039	ANTIFREEZE TO -34F, OAT (NITRITE AND SILICATE FREE) EXTENDED LIFE COOLANT		STD
171-007	GATES BLUE STRIPE COOLANT HOSES OR EQUIVALENT		STD
172-001	CONSTANT TENSION HOSE CLAMPS FOR COOLANT HOSES		STD
270-016	RADIATOR DRAIN VALVE		N/C



Prepared for:  
M K  
MDOT City of Ann Arbor  
301 E Huron Street  
Ann Arbor, MI 48104  
Phone: 734-994-9124

Prepared by:  
Edward Merrill  
D & K TRUCK COMPANY  
3020 Snow Rd  
LANSING, MI 48917  
Phone: (517) 484-1905 Ext. 129

168-998	NO RADIATOR/OIL PAN GUARD	-5		(\$94.00)
138-011	PHILLIPS-TEMRO 1000 WATT/115 VOLT BLOCK HEATER	4		N/C
166-002	PHILLIPS-TEMRO 150 WATT/115 VOLT OIL PREHEATER	4		N/C
140-022	CHROME ENGINE HEATER RECEPTACLE MOUNTED UNDER LH DOOR			STD
134-001	ALUMINUM FLYWHEEL HOUSING			STD
132-004	ELECTRIC GRID AIR INTAKE WARMER			N/C
155-055	DELCO 12V 39MT HD/OCP STARTER WITH THERMAL PROTECTION AND INTEGRATED MAGNETIC SWITCH			\$69.00

### Transmission

342-582	ALLISON 3000 RDS AUTOMATIC TRANSMISSION WITH PTO PROVISION	-110	-35	\$7,712.00
---------	--	------	-----	------------

### Transmission Equipment

343-323	ALLISON VOCATIONAL PACKAGE 172 - AVAILABLE ON 3000/4000 PRODUCT FAMILIES WITH VOCATIONAL MODEL RDS			N/C
84B-012	ALLISON VOCATIONAL RATING FOR ON/OFF HIGHWAY APPLICATIONS AVAILABLE WITH ALL PRODUCT FAMILIES			N/C
84C-023	PRIMARY MODE GEARS, LOWEST GEAR 1, START GEAR 1, HIGHEST GEAR 6, AVAILABLE FOR 3000/4000 PRODUCT FAMILIES ONLY			N/C
84D-023	SECONDARY MODE GEARS, LOWEST GEAR 1, START GEAR 1, HIGHEST GEAR 6, AVAILABLE FOR 3000/4000 PRODUCT FAMILIES ONLY			N/C
84E-000	PRIMARY SHIFT SCHEDULE RECOMMENDED BY DTNA AND ALLISON, THIS DEFINED BY ENGINE AND VOCATIONAL USAGE			N/C
84F-000	SECONDARY SHIFT SCHEDULE RECOMMENDED BY DTNA AND ALLISON, THIS DEFINED BY ENGINE AND VOCATIONAL USAGE			N/C
84G-000	PRIMARY SHIFT SPEED RECOMMENDED BY DTNA AND ALLISON, THIS DEFINED BY ENGINE AND VOCATIONAL USAGE			N/C
84H-000	SECONDARY SHIFT SPEED RECOMMENDED BY DTNA AND ALLISON, THIS DEFINED BY ENGINE AND VOCATIONAL USAGE			N/C
84L-000	LOAD BASED SHIFT SCHEDULE AND VEHICLE ACCELERATION CONTROL RECOMMENDED BY DTNA AND ALLISON, THIS DEFINED VOCATIONAL USAGE			N/C
34C-010	ELECTRONIC TRANSMISSION CUSTOMER ACCESS CONNECTOR, BLUNT CUT, MOUNTED BETWEEN DRIVER AND PASSENGER SEATS			\$143.00
362-040	(2) CUSTOMER INSTALLED MUNCIE PTO'S: TG6 AND TG8 SERIES			N/C



Prepared for:  
M K  
MDOT City of Ann Arbor  
301 E Huron Street  
Ann Arbor, MI 48104  
Phone: 734-994-9124

Prepared by:  
Edward Merrill  
D & K TRUCK COMPANY  
3020 Snow Rd  
LANSING, MI 48917  
Phone: (517) 484-1905 Ext. 129

362-1Y2 2 MUNCIE			
N	363-011	PTO MOUNTING, LH AND RH SIDES OF MAIN TRANSMISSION	N/C
	341-018	MAGNETIC PLUGS, ENGINE DRAIN, TRANSMISSION DRAIN, AXLE(S) FILL AND DRAIN	N/C
	345-003	PUSH BUTTON ELECTRONIC SHIFT CONTROL, DASH MOUNTED	N/C
	97G-004	TRANSMISSION PROGNOSTICS - ENABLED 2013	N/C
	370-015	WATER TO OIL TRANSMISSION COOLER, IN RADIATOR END TANK	STD
	346-003	TRANSMISSION OIL CHECK AND FILL WITH ELECTRONIC OIL LEVEL CHECK	N/C
	35T-001	SYNTHETIC TRANSMISSION FLUID (TES-295 COMPLIANT)	N/C

### Front Axle and Equipment

	400-1BB	DETROIT DA-F-20.0-5 20,000# FL1 71.0 KPI/3.74 DROP SINGLE FRONT AXLE		\$1,628.00
	402-030	MERITOR 16.5X6 Q+ CAST SPIDER CAM FRONT BRAKES, DOUBLE ANCHOR, FABRICATED SHOES		STD
	403-002	NON-ASBESTOS FRONT BRAKE LINING		STD
	419-023	CONMET CAST IRON FRONT BRAKE DRUMS		STD
	427-001	FRONT BRAKE DUST SHIELDS	5	\$102.00
	409-006	FRONT OIL SEALS		STD
	408-001	VENTED FRONT HUB CAPS WITH WINDOW, CENTER AND SIDE PLUGS - OIL		STD
	416-022	STANDARD SPINDLE NUTS FOR ALL AXLES		STD
	405-003	HALDEX AUTOMATIC FRONT SLACK ADJUSTERS		\$56.00
	406-001	STANDARD KING PIN BUSHINGS		STD
	536-055	TRW THP-60 POWER STEERING WITH RCH45 AUXILIARY GEAR	90	N/C
	539-003	POWER STEERING PUMP		STD
	534-003	4 QUART POWER STEERING RESERVOIR		N/C
	533-001	OIL/AIR POWER STEERING COOLER		N/C
	40T-003	SYNTHETIC 50W FRONT AXLE LUBE		STD

### Front Suspension

	620-006	20,000# FLAT LEAF FRONT SUSPENSION	50	\$147.00
	619-002	THREADED SPRING PINS AND BUSHINGS - FRONT SUSPENSION		\$168.00
	410-001	FRONT SHOCK ABSORBERS		\$202.00

### Rear Axle and Equipment

	420-058	RT-46-164 46,000# R-SERIES TANDEM REAR AXLE	500	\$4,539.00
--	---------	---	-----	------------

Prepared for:  
M K  
MDOT City of Ann Arbor  
301 E Huron Street  
Ann Arbor, MI 48104  
Phone: 734-994-9124

Prepared by:  
Edward Merrill  
D & K TRUCK COMPANY  
3020 Snow Rd  
LANSING, MI 48917  
Phone: (517) 484-1905 Ext. 129

N	421-586	5.86 REAR AXLE RATIO			N/C
	424-001	IRON REAR AXLE CARRIER WITH STANDARD AXLE HOUSING			STD
	386-073	MXL 17T MERITOR EXTENDED LUBE MAIN DRIVELINE WITH HALF ROUND YOKES	20	20	\$342.00
	388-073	MXL 17T MERITOR EXTENDED LUBE INTERAXLE DRIVELINE WITH HALF ROUND YOKES			STD
	452-006	DRIVER CONTROLLED TRACTION DIFFERENTIAL - BOTH TANDEM REAR AXLES		30	\$1,229.00
	878-023	(1) INTERAXLE LOCK VALVE, (1) DRIVER CONTROLLED DIFFERENTIAL LOCK FORWARD-REAR AND REAR-REAR AXLE VALVE			N/C
	87A-005	INDICATOR LIGHT FOR EACH INTERAXLE LOCKOUT SWITCH			STD
	87B-009	INDICATOR LIGHT AND BUZZER FOR EACH DRIVER CONTROLLED TRACTION DEVICE SWITCH			\$28.00
	423-019	MERITOR 16.5X8.62 Q+ CAST SPIDER CAM REAR BRAKES, DOUBLE ANCHOR, FABRICATED SHOES			\$252.00
	433-002	NON-ASBESTOS REAR BRAKE LINING			STD
	434-003	STANDARD BRAKE CHAMBER LOCATION			N/C
	451-023	CONMET CAST IRON REAR BRAKE DRUMS			STD
	425-002	REAR BRAKE DUST SHIELDS		10	\$235.00
	440-006	REAR OIL SEALS			STD
	426-101	WABCO TRISTOP D LONGSTROKE 2-DRIVE AXLE SPRING PARKING CHAMBERS			STD
	428-003	HALDEX AUTOMATIC REAR SLACK ADJUSTERS			\$94.00
	41T-002	SYNTHETIC 75W-90 REAR AXLE LUBE			STD

### Rear Suspension

	622-1E7	HENDRICKSON HAULMAAX @46,000#REAR SUSPENSION		280	\$3,909.00
	621-1AP	HENDRICKSON HAULMAAX/ULTIMAAX - 10.50" RIDE HEIGHT			N/C
	624-009	54 INCH AXLE SPACING			N/C
	628-010	HENDRICKSON HN, HAULMAAX AND ULTIMAAX SERIES STEEL BEAMS WITH BAR PIN			N/C
	623-006	FORE/AFT AND TRANSVERSE CONTROL RODS			N/C
	439-002	REAR SHOCK ABSORBERS - TWO AXLES (TANDEM)		60	\$229.00

### Brake System

	490-100	WABCO 4S/4M ABS			STD
	871-014	REINFORCED NYLON, FABRIC BRAID AND WIRE BRAID CHASSIS AIR LINES WITH TEST PORTS	5	5	\$86.00
	904-001	FIBER BRAID PARKING BRAKE HOSE			STD
	412-001	STANDARD BRAKE SYSTEM VALVES			STD

Prepared for:  
M K  
MDOT City of Ann Arbor  
301 E Huron Street  
Ann Arbor, MI 48104  
Phone: 734-994-9124

Prepared by:  
Edward Merrill  
D & K TRUCK COMPANY  
3020 Snow Rd  
LANSING, MI 48917  
Phone: (517) 484-1905 Ext. 129

432-003	RELAY VALVE WITH 5-8 PSI CRACK PRESSURE, NO REAR PROPORTIONING VALVE			STD
480-047	BW AD-IS (DRM) BRAKE LINE AIR DRYER WITH SHIELD, HEATER AND INTEGRAL RESERVOIR			\$366.00
483-003	BENDIX OIL COALESCING FILTER FOR AIR DRYER			\$20.00
479-003	AIR DRYER MOUNTED INBOARD ON LH RAIL			N/C
	LOCATE 87INCHES CENTERLINE FROM REAR AXLE CENTERLINE			
460-058	STEEL AIR TANKS MOUNTED AFT INSIDE AND/OR BELOW FRAME JUST FORWARD OF REAR SUSPENSION			N/C
477-011	PETCOCK DRAIN VALVES ON ALL AIR TANK(S)			N/C

### Wheelbase & Frame

545-600	6000MM (236 INCH) WHEELBASE			N/C
546-101	11/32X3-1/2X10-15/16 INCH STEEL FRAME (8.73MMX277.8MM/0.344X10.94 INCH) 120KSI	560	-180	\$1,236.00
547-001	1/4 INCH (6.35MM) C-CHANNEL INNER FRAME REINFORCEMENT	187	403	\$1,411.00
552-035	1725MM (68 INCH) REAR FRAME OVERHANG			N/C
55W-006	FRAME OVERHANG RANGE: 61 INCH TO 70 INCH			N/C
549-016	24 INCH INTEGRAL FRONT FRAME EXTENSION WITH 0.25 INCH INSERT	320	-60	\$995.00
AC8-99D	CALC'D BACK OF CAB TO REAR SUSP C/L (CA) : 172.69 in			
AE8-99D	CALCULATED EFFECTIVE BACK OF CAB TO REAR SUSPENSION C/L (CA) : 169.69 in			
AE4-99D	CALC'D FRAME LENGTH - OVERALL : 373.71			
AM6-99D	CALC'D SPACE AVAILABLE FOR DECKPLATE : 172.69 in			
FSS-0LH	CALCULATED FRAME SPACE LH SIDE : 91.17 in			N/C
FSS-0RH	CALCULATED FRAME SPACE RH SIDE : 164.94 in			N/C
553-001	SQUARE END OF FRAME			STD
587-003	REAR TOW HOOKS		10	\$69.00
559-001	STANDARD WEIGHT ENGINE CROSSMEMBER			STD
561-001	STANDARD CROSSMEMBER BACK OF TRANSMISSION			STD
562-001	STANDARD MIDSHIP #1 CROSSMEMBER(S)			STD
572-001	STANDARD REAR MOST CROSSMEMBER			STD
565-002	HEAVY DUTY SUSPENSION CROSSMEMBER			STD
568-001	STANDARD WEIGHT REAR SUSPENSION CROSSMEMBER			STD

### Chassis Equipment



Prepared for:  
M K  
MDOT City of Ann Arbor  
301 E Huron Street  
Ann Arbor, MI 48104  
Phone: 734-994-9124

Prepared by:  
Edward Merrill  
D & K TRUCK COMPANY  
3020 Snow Rd  
LANSING, MI 48917  
Phone: (517) 484-1905 Ext. 129

556-997	OMIT FRONT BUMPER, CUSTOMER INSTALLED SPECIAL BUMPER, DOES NOT COMPLY WITH FMCSR 393.203	-110	(\$560.00)
558-001	FRONT TOW HOOKS - FRAME MOUNTED	15	\$55.00
586-015	FRONT ANTI-SPRAY CAB MOUNTED MUDFLAPS		STD
551-001	551-017 GRADE 8 FRAME FASTENERS		\$199.00
44Z-002	EXTERIOR HARNESES WRAPPED IN ABRASION TAPE		STD
<b>Fuel Tanks</b>			
204-154	80 GALLON/302 LITER ALUMINUM FUEL TANK - LH	10	\$86.00
218-006	25 INCH DIAMETER FUEL TANK(S)		STD
215-006	POLISHING OF FUEL/HYDRAULIC TANK(S) WITH POLISHED STAINLESS STEEL BANDS		\$490.00
212-007	FUEL TANK(S) FORWARD		STD
664-002	POLISHED STEP FINISH		\$63.00
205-002	CHROME FUEL TANK CAP(S)		N/C
122-1H7	DAVCO 245 FUEL/WATER SEPARATOR WITH WATER IN FUEL SENSOR	20	N/C
216-020	EQUIFLO INBOARD FUEL SYSTEM		STD
202-016	HIGH TEMPERATURE REINFORCED NYLON FUEL LINE		STD
221-009	FUEL COOLER MOUNTED RIGHT HAND IN RAIL		\$94.00
<b>Tires</b>			
093-1E2	MICHELIN XFE 425/65R22.5 20 PLY RADIAL FRONT TIRES	172	\$972.00
094-1UY	MICHELIN X MULTI D 11R22.5 16 PLY RADIAL REAR TIRES (NORTH AMERICAN ONLY)	120	(\$80.00)
<b>Hubs</b>			
418-060	CONMET PRESET PLUS PREMIUM IRON FRONT HUBS		STD
450-060	CONMET PRESET PLUS PREMIUM IRON REAR HUBS		STD
<b>Wheels</b>			
502-574	ACCURIDE 29807 22.5X12.25 10-HUB PILOT 4.75 INSET 5-HAND STEEL DISC FRONT WHEELS	98	\$216.00
505-1DN	ACCURIDE 51637 22.5X8.25 10-HUB PILOT 10-HAND STEEL DISC REAR WHEELS	-48	(\$152.00)
496-011	FRONT WHEEL MOUNTING NUTS		STD
497-011	REAR WHEEL MOUNTING NUTS		STD
<b>Cab Exterior</b>			
829-1A8	110 INCH BBC STEEL CONVENTIONAL CAB		STD
82A-008	WESTERN STAR STAINLESS STEEL CAB SKIRT		\$92.00

Prepared for:  
M K  
MDOT City of Ann Arbor  
301 E Huron Street  
Ann Arbor, MI 48104  
Phone: 734-994-9124

Prepared by:  
Edward Merrill  
D & K TRUCK COMPANY  
3020 Snow Rd  
LANSING, MI 48917  
Phone: (517) 484-1905 Ext. 129

650-044	AIR CAB MOUNTS WITH CHECK VALVE		STD
705-007	STAINLESS STEEL SILL PLATES	5	\$52.00
648-002	NONREMOVABLE BUGSCREEN MOUNTED BEHIND GRILLE		STD
667-001	FRONT FENDERS		STD
754-001	2 INCH FENDER EXTENSIONS	5	\$147.00
678-061	LH AND RH EXTENDED EXTERIOR GRAB HANDLES WITH RUBBER INSERTS AND LH AND RH INTERIOR GRAB HANDLES MOUNTED TO A POST		\$89.00
646-008	STATIONARY BRIGHT FINISH GRILLE		STD
65X-003	CHROME HOOD MOUNTED AIR INTAKE GRILLE		STD
640-008	GALVANEALD STEEL SEVERE SERVICE CAB		STD
644-006	FIBERGLASS HOOD WITH ACCESS HATCHES	10	\$618.00
690-007	HOOD LINER INSULATION WITH SINGLE FIREWALL INSULATION		\$101.00
727-096	DUAL ROUND AIR HORNS, SINGLE BASE, MOUNTED UNDER CAB		(\$98.00)
726-001	SINGLE ELECTRIC HORN		STD
657-1CC	ALL UNIT(S) KEYED ALIKE WITH CUSTOMER SPECIFIED KEY NUMBER D420		\$43.00
575-001	REAR LICENSE PLATE MOUNT END OF FRAME		STD
312-072	SINGLE RECTANGULAR SEALED BEAM HEADLIGHTS WITH BRIGHT BEZELS		STD
302-022	LED MARKER LAMPS		\$91.00
311-001	DAYTIME RUNNING LIGHTS		\$56.00
294-001	INTEGRAL STOP/TAIL/BACKUP LIGHTS		STD
300-015	STANDARD FRONT TURN SIGNAL LAMPS		STD
744-1E0	DUAL WEST COAST STAINLESS STEEL HEATED MIRRORS WITH LH AND RH REMOTE		\$396.00
797-001	DOOR MOUNTED MIRRORS		STD
796-001	102 INCH EQUIPMENT WIDTH		STD
743-1AA	LH AND RH SUREPLUS 574 8 INCH BRIGHT FINISH HEATED CONVEX MIRRORS WITH SEPARATE ADJUSTMENT, MOUNTED BELOW MIRROR		\$36.00
74A-001	RH DOWN VIEW MIRROR		STD
729-001	STANDARD SIDE/REAR REFLECTORS		STD
787-020	ELECTRIC DOOR LOCKS, MECHANICAL KEY TUMBLER		\$188.00
677-055	RH AFTERTREATMENT SYSTEM CAB ACCESS WITH POLISHED DIAMOND PLATE COVER		\$442.00
764-002	STAINLESS STEEL EXTERIOR SUN VISOR	28	\$314.00
768-046	17.5X35 INCH TINTED REAR WINDOW		STD
661-006	TINTED DOOR GLASS		STD

Prepared for:  
M K  
MDOT City of Ann Arbor  
301 E Huron Street  
Ann Arbor, MI 48104  
Phone: 734-994-9124

Prepared by:  
Edward Merrill  
D & K TRUCK COMPANY  
3020 Snow Rd  
LANSING, MI 48917  
Phone: (517) 484-1905 Ext. 129

654-011	RH AND LH ELECTRIC POWERED WINDOWS	4		\$151.00
663-023	2-PIECE TINTED CURVED GASKET MOUNTED HEATED WINDSHIELD			\$473.00
659-025	2 GALLON WINDSHIELD WASHER RESERVOIR WITHOUT FLUID LEVEL INDICATOR, MOUNTED UNDER CAB, WITH REMOTE FILL			STD

### Cab Interior

707-1D0	GRAY VINYL BASE INTERIOR			STD
70K-005	BLACK HARD TRIM			STD
706-049	BASE LEFT HAND DOOR TRIM			STD
708-049	BASE RIGHT HAND DOOR TRIM			STD
772-007	BLACK MATS WITH DOUBLE INSULATION			\$34.00
785-007	DASH MOUNTED ASH TRAY AND LIGHTER, DRIVER SIDE			STD
691-001	FORWARD ROOF MOUNTED CONSOLE			STD
694-009	PASSENGER SIDE WING DASH MOUNTED GLOVE BOX WITH LOCKING DOOR			STD
693-025	LH AND RH DOOR MAP POCKETS			STD
741-015	(2) COAT HOOKS ON BACKWALL OF CAB			STD
742-032	(1) DOUBLE CUP HOLDER WITH CELL PHONE HOLDER LH OR RH DASH			STD
680-034	TWO-TONE CHARCOAL UPPER/COOL GRAY LOWER SOFT TOUCH WING DASH WITH BLACK DRIVER SIDE COSMETIC UNDER DASH COVER			STD
720-003	5 LB. FIRE EXTINGUISHER	10		\$57.00
700-023	HEATER, DEFROSTER AND AIR CONDITIONER WITH CONSTANT TEMPERATURE CONTROL AND COSMETIC COVER			STD
701-010	HVAC DUCTING WITH FOAM MAIN FRESH AIR FILTER AND OUTSIDE PRE-FILTER			STD
703-005	MAIN HVAC CONTROLS WITH RECIRCULATION SWITCH			STD
170-019	STANDARD HEATER PLUMBING WITH BALL SHUTOFF VALVES			\$28.00
130-033	DENSO HEAVY DUTY AIR CONDITIONER COMPRESSOR			STD
698-001	RADIATOR MOUNTED AIR CONDITIONER CONDENSER			STD
702-002	BINARY CONTROL, R-134A			STD
739-002	ADDITIONAL CAB SIDEWALL INSULATION	60	10	\$162.00
285-019	AUTOMATIC SELF-RESET CIRCUIT BREAKER IN MAIN DASH POWER DISTRIBUTION BOX AND CIRCUIT BREAKER/FUSE IN AUXILIARY POWER DISTRIBUTION BOXES			STD



Prepared for:  
M K  
MDOT City of Ann Arbor  
301 E Huron Street  
Ann Arbor, MI 48104  
Phone: 734-994-9124

Prepared by:  
Edward Merrill  
D & K TRUCK COMPANY  
3020 Snow Rd  
LANSING, MI 48917  
Phone: (517) 484-1905 Ext. 129

324-076	DOOR ACTIVATED DOME LIGHT, UNDER DASH LIGHT WITH LH AND RH DOOR MOUNTED COURTESY LIGHTS AND LH AND RH READING LIGHTS			\$61.00
655-005	LH AND RH ELECTRIC DOOR LOCKS			N/C
284-112	(2) 12 VOLT POWER RECEPTACLES PLATE MOUNTED IN DASH			\$51.00
722-028	TRIANGULAR REFLECTORS KIT WITHOUT FLARES SHIPPED LOOSE IN CAB	10		\$28.00
756-1D9	PREMIUM HIGH BACK AIR SUSPENSION DRIVER SEAT WITH 3 CHAMBER AIR LUMBAR, INTEGRATED CUSHION EXTENSION, FORWARD AND REAR CUSHION TILT, ADJUSTABLE SHOCK ABSORBER	40		\$181.00
760-1D9	PREMIUM HIGH BACK AIR SUSPENSION PASSENGER SEAT WITH 3 CHAMBER AIR LUMBAR, INTEGRATED CUSHION EXTENSION, FORWARD AND REAR CUSHION TILT, ADJUSTABLE SHOCK ABSORBER	60	20	(\$70.00)
759-005	DUAL DRIVER AND PASSENGER SEAT ARMRESTS	8		\$142.00
758-022	BLACK MORDURA CLOTH DRIVER SEAT COVER			STD
761-023	BLACK MORDURA CLOTH PASSENGER SEAT COVER			STD
763-012	3 POINT HIGH VISIBILITY ORANGE RETRACTOR DRIVER AND PASSENGER SEAT BELTS			\$13.00
532-002	ADJUSTABLE TILT AND TELESCOPING STEERING COLUMN			STD
540-020	2-SPOKE 18 INCH (450MM) BLACK STEERING WHEEL(S)			(\$7.00)
765-002	DRIVER AND PASSENGER INTERIOR SUN VISORS			STD

### Instruments & Controls

185-002	NON-ADJUSTABLE SUSPENDED PEDALS			STD
* 87L-005	ENGINE REMOTE INTERFACE WITHOUT INTERLOCKS			N/C
	WITH 33U-002 VACTOR INTERLOCK			
870-005	STAR GAUGES WITH BRIGHT BEZELS			\$20.00
732-001	BLACK DRIVER INSTRUMENT PANEL			STD
734-001	BLACK CENTER INSTRUMENT PANEL			STD
486-001	LOW AIR PRESSURE INDICATOR LIGHT AND AUDIBLE ALARM			STD
840-002	2 INCH PRIMARY AND SECONDARY AIR PRESSURE GAUGES			STD
198-003	DASH MOUNTED AIR RESTRICTION INDICATOR WITH GRADUATIONS			\$54.00
149-012	CRUISE CONTROL SWITCHES IN THE CENTER PANEL			STD





Prepared for:  
M K  
MDOT City of Ann Arbor  
301 E Huron Street  
Ann Arbor, MI 48104  
Phone: 734-994-9124

Prepared by:  
Edward Merrill  
D & K TRUCK COMPANY  
3020 Snow Rd  
LANSING, MI 48917  
Phone: (517) 484-1905 Ext. 129

156-007	KEY OPERATED IGNITION SWITCH AND INTEGRAL START POSITION; 4 POSITION OFF/RUN/START/ACCESSORY		STD
811-001	WARNING LAMP/LIGHT BAR DISPLAY, NON-DATA LINKED		STD
160-041	HEAVY DUTY ONBOARD DIAGNOSTICS INTERFACE CONNECTOR LOCATED BELOW LH DASH AND BODY BUILDER INTERFACE CONNECTOR LOCATED BETWEEN DRIVER AND PASSENGER SEATS		\$59.00
844-001	2 INCH ELECTRIC FUEL GAUGE		STD
148-071	ENGINE REMOTE INTERFACE WITH INCREMENT/DECREMENT		\$162.00
163-013	ENGINE REMOTE INTERFACE CONNECTOR IN CAB BETWEEN DRIVER AND PASSENGER SEATS		N/C
856-001	ELECTRICAL ENGINE COOLANT TEMPERATURE GAUGE		STD
864-001	2 INCH TRANSMISSION OIL TEMPERATURE GAUGE		STD
372-051	CUSTOMER FURNISHED AND INSTALLED PTO CONTROLS		N/C
852-002	ELECTRIC ENGINE OIL PRESSURE GAUGE		STD
1U1-001	TOP OF DASH NAVIGATION PREP WITH POWER AND GROUND		\$56.00
746-115	AM/FM/WB WORLD TUNER RADIO WITH BLUETOOTH AND USB AND AUXILIARY INPUTS, J1939	10	\$405.00
747-002	ROOF/OVERHEAD CONSOLE MOUNTED RADIO		N/C
750-004	(4) RADIO SPEAKERS IN CAB		N/C
753-021	AM/FM ANTENNA MOUNTED ON LH FRONT A-PILLAR	2	\$35.00
748-026	POWER AND GROUND WIRING FOR CB RADIO IN OVERHEAD CONSOLE		STD
752-998	NO CB ANTENNA, BRACKET OR LEAD		(\$74.00)
810-042	ELECTRONIC MPH SPEEDOMETER WITH SECONDARY KPH SCALE, WITH ODOMETER		STD
817-001	STANDARD VEHICLE SPEED SENSOR		STD
812-003	ELECTRONIC 3000 RPM TACHOMETER WITH HOUR METER		\$19.00
813-998	NO VEHICLE PERFORMANCE MONITOR	-5	(\$998.00)
162-002	IGNITION SWITCH CONTROLLED ENGINE STOP		STD
836-001	2 INCH VOLTMETER		STD
660-001	SINGLE ELECTRIC WINDSHIELD WIPER MOTOR WITH DELAY AND ARCTIC TYPE BLADES		\$11.00
304-015	CAB/TRAILER MARKER LIGHT SWITCH WITH SEPARATE HEADLIGHT SWITCH		STD

Prepared for:  
 M K  
 MDOT City of Ann Arbor  
 301 E Huron Street  
 Ann Arbor, MI 48104  
 Phone: 734-994-9124

Prepared by:  
 Edward Merrill  
 D & K TRUCK COMPANY  
 3020 Snow Rd  
 LANSING, MI 48917  
 Phone: (517) 484-1905 Ext. 129

882-009	ONE VALVE PARKING BRAKE SYSTEM WITH WARNING INDICATOR	STD
299-038	SELF CANCELING TURN SIGNAL SWITCH WITH INTEGRAL HEADLAMP DIMMER WITHOUT BRAKE OVERRIDE	\$87.00
298-036	PACIFIC INSIGHT ELECTRONIC FLASHER	STD
<b>Design</b>		
* 065-000	PAINT: ONE SOLID COLOR	\$99.00
<b>Color</b>		
* 980-999	CAB COLOR A: YS911EB ELITE YELLOW YS911EB ELITE YELLOW	\$99.00
96J-001	CAB INTERIOR PAINTED SAME AS CAB COLOR	STD
986-020	BLACK, HIGH SOLIDS POLYURETHANE CHASSIS	STD
963-006	FENDER, UNDER CAB AND INTERIOR CAB FLOOR UNDERCOATING	\$93.00
<b>Certification / Compliance</b>		
996-001	U.S. FMVSS CERTIFICATION, EXCEPT SALES CABS AND GLIDER KITS	STD

<b>Weight Summary</b>			
	Weight Front	Weight Rear	Total Weight
Factory Weight <sup>+</sup>	10042 lbs	7705 lbs	17747 lbs

(+) Weights shown are estimates only.

If weight is critical, contact Customer Application Engineering.

(\*\*) Prices shown do not include taxes, fees, etc... "Net Equipment Selling Price" is located on the Quotation Details Proposal Report.

Prepared for:  
 M K  
 MDOT City of Ann Arbor  
 301 E Huron Street  
 Ann Arbor, MI 48104  
 Phone: 734-994-9124

Prepared by:  
 Edward Merrill  
 D & K TRUCK COMPANY  
 3020 Snow Rd  
 LANSING, MI 48917  
 Phone: (517) 484-1905 Ext. 129

**4700 SET-BACK FRONT AXLE CHASSIS**

SET BACK AXLE - TRUCK	20,000# FLAT LEAF FRONT SUSPENSION
CUM L9 370 HP @ 2000 RPM, 2100 GOV RPM, 1250 LB/FT @ 1400 RPM	110 INCH BBC STEEL CONVENTIONAL CAB
ALLISON 3000 RDS AUTOMATIC TRANSMISSION WITH PTO PROVISION	6000MM (236 INCH) WHEELBASE
RT-46-164 46,000# R-SERIES TANDEM REAR AXLE	11/32X3-1/2X10-15/16 INCH STEEL FRAME (8.73MMX277.8MM/0.344X10.94 INCH) 120KSI
HENDRICKSON HAULMAAX @46,000#REAR SUSPENSION	1725MM (68 INCH) REAR FRAME OVERHANG
DETROIT DA-F-20.0-5 20,000# FL1 71.0 KPI/3.74 DROP SINGLE FRONT AXLE	1/4 INCH (6.35MM) C-CHANNEL INNER FRAME REINFORCEMENT

			PER UNIT		TOTAL
VEHICLE PRICE	TOTAL # OF UNITS (1)	\$	105,538	\$	105,538
CUSTOMER PRICE BEFORE TAX		\$	105,538	\$	105,538

**TAXES AND FEES**

TAXES AND FEES		\$	0	\$	0
BALANCE DUE	(LOCAL CURRENCY)	\$	105,538	\$	105,538

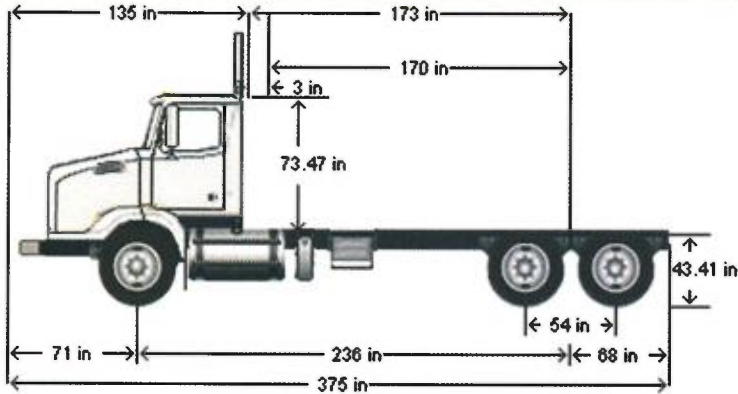
APPROVAL: Please indicate your acceptance of this quotation by signing below: Customer:  
 X \_\_\_\_\_ Date: \_\_\_ / \_\_\_ / \_\_\_.



Prepared for:  
 M K  
 MDOT - City of Ann Arbor  
 301 E Huron Street  
 Ann Arbor, MI 48104  
 Phone: 734-994-9124

Prepared by:  
 Edward Merrill  
 D & K TRUCK COMPANY  
 3020 Snow Rd  
 LANSING, MI 48917  
 Phone: (517) 484-1905 Ext. 129

## D I M E N S I O N S



### VEHICLE SPECIFICATIONS SUMMARY - DIMENSIONS

Model.....	4700SB
Wheelbase (545) .....	6000MM (236 INCH) WHEELBASE
Rear Frame Overhang (552) .....	1725MM (68 INCH) REAR FRAME OVERHANG
Cab Size (829) .....	110 INCH BBC STEEL CONVENTIONAL CAB
Sleeper (682) .....	NO SLEEPER BOX/SLEEPER CAB
Exhaust System (016) .....	RH OUTBOARD UNDER STEP MOUNTED HORIZONTAL AFTERTREATMENT SYSTEM ASSEMBLY WITH RH B-PILLAR MOUNTED VERTICAL TAILPIPE

### TABLE SUMMARY - DIMENSIONS

Prepared for:  
 M K  
 MDOT - City of Ann Arbor  
 301 E Huron Street  
 Ann Arbor, MI 48104  
 Phone: 734-994-9124

Prepared by:  
 Edward Merrill  
 D & K TRUCK COMPANY  
 3020 Snow Rd  
 LANSING, MI 48917  
 Phone: (517) 484-1905 Ext. 129

Dimensions	Inches
Bumper to Back of Cab (BBC)	134.5
Bumper to Centerline of Front Axle (BA)	71.2
Min. Cab to Body Clearance (CB)	3.0
Back of Cab to Centerline of Rear Axle(s) (CA)	172.7
Effective Back of Cab to Centerline of Rear Axle(s) (Effective CA)	169.7
Back of Cab Protrusions (Exhaust/Intake) (CP)	0.0
Back of Cab Protrusions (Side Extenders/Trim Tab) (CP)	0.0
Back of Cab Protrusions (CNG Tank)	0.0
Back of Cab Clearance (CL)	3.0
Back of Cab to End of Frame	240.7
Cab Height (CH)	73.5
Wheelbase (WB)	236.0
Frame Overhang (OH)	68.0
Overall Length (OAL)	375.2
Rear Axle Spacing	54.0
Unladen Frame Height at Centerline of Rear Axle	43.4

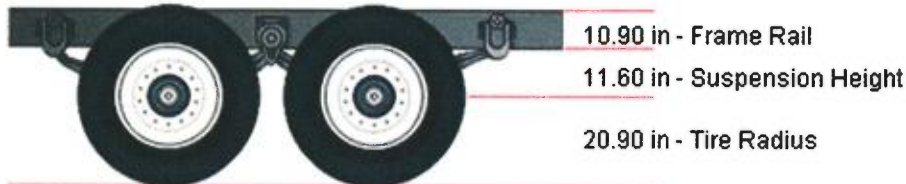
Performance calculations are estimates only. If performance calculations are critical, please contact Customer Application Engineering.

Prepared for:  
 M K  
 MDOT City of Ann Arbor  
 301 E Huron Street  
 Ann Arbor, MI 48104  
 Phone: 734-994-9124

Prepared by:  
 Edward Merrill  
 D & K TRUCK COMPANY  
 3020 Snow Rd  
 LANSING, MI 48917  
 Phone: (517) 484-1905 Ext. 129

## UNLADEN FRAME HEIGHT

Unladen Height	Requested	Calculated
Tow Hitch (in)	0.00 to 0.00	32.80
Frame (in)	N/A	43.40



### VEHICLE SPECIFICATIONS SUMMARY - UNLADEN FRAME HEIGHT

Model.....	4700SB
Cab Size (829).....	110 INCH BBC STEEL CONVENTIONAL CAB
Frame Rails (546).....	11/32X3-1/2X10-15/16 INCH STEEL FRAME (8.73MMX277.8MM/0.344X10.94 INCH) 120KSI(546)
Web Height (in).....	10.9375
Flange Thickness (in).....	0.34375
Rear Suspension (622).....	HENDRICKSON HAULMAAX @46,000#REAR SUSPENSION
Rear Suspension Ride Height (621).....	HENDRICKSON HAULMAAX/ULTIMAAX - 10.50" RIDE HEIGHT
Axle C/L to Bottom of Frame (in).....	11.623
Rear Tires (094).....	MICHELIN X MULTI D 11R22.5 16 PLY RADIAL REAR TIRES (NORTH AMERICAN ONLY)
Unladen Radius (in).....	20.85
Fifth Wheel (578).....	NO FIFTH WHEEL
Requested Min Height (in).....	0.0
Requested Max Height (in).....	1
Fifth Wheel Leg Height (582).....	NO FIFTH WHEEL LEG HEIGHT
Rear Tow Device (587).....	REAR TOW HOOKS
Tow Device Height(588).....	NO REAR TOW DEVICE HEIGHT
Requested Min Height (in).....	0.0
Requested Max Height (in).....	0.0



777 Doheny Drive | P.O. Box 609  
Northville, MI | 48167

Main Office: 1-800-336-4369 | Fax: 248-349-2774

Northville, MI  
248-349-0904

Twinsburg, OH  
330-963-7766

Cincinnati, OH  
513-921-8824

Whitestown, IN  
317-768-2600

Joliet, IL  
815-727-1000

Antioch, CA  
925-777-0944

Salt Lake City, UT  
925-777-0944

La Porte, TX  
281-842-8700

Gonzales, LA  
225-647-3010

Orlando, FL  
407-438-3380

Greenville, SC  
864-315-2900

Wharton, NJ  
973-659-0061

Bay Shore, NY  
631-231-0206

Bolton, ON  
905-857-7474

Sulphur, LA  
337-583-4033



## Vactor

Public Utility Equipment

#122017-FSC

Maturity Date: 02/20/2022

Products & Services

Contract Documents

Pricing

Contact Information

### Products & Services

Sourcewell contract 122017-FSC gives access to the following types of goods and services:

- Catch Basin Cleaners
- Water Jetters
- Vacuum Excavators
- Combination Sewer Cleaners
- Vacuum Excavation
- Hydro Excavation