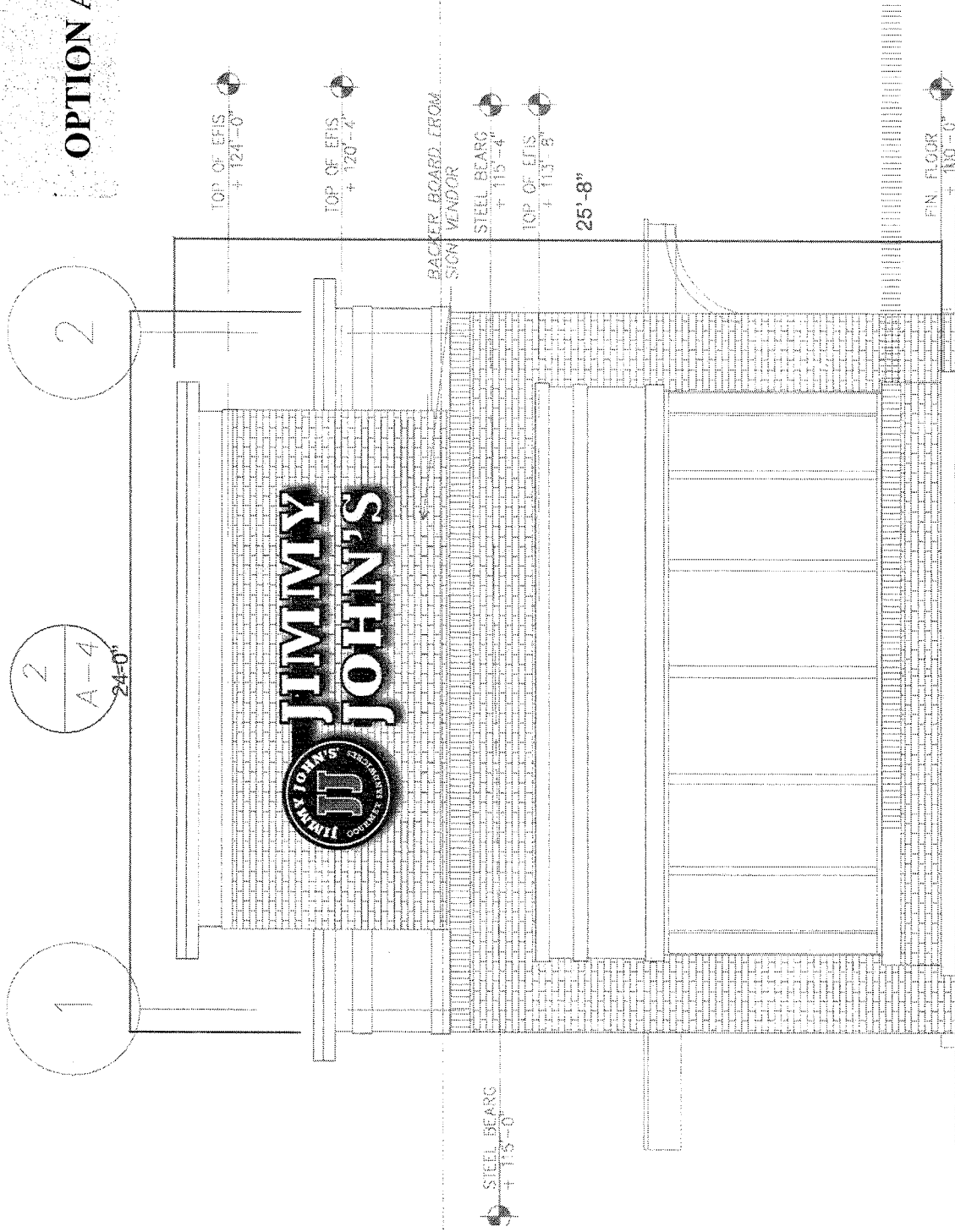


OPTION A



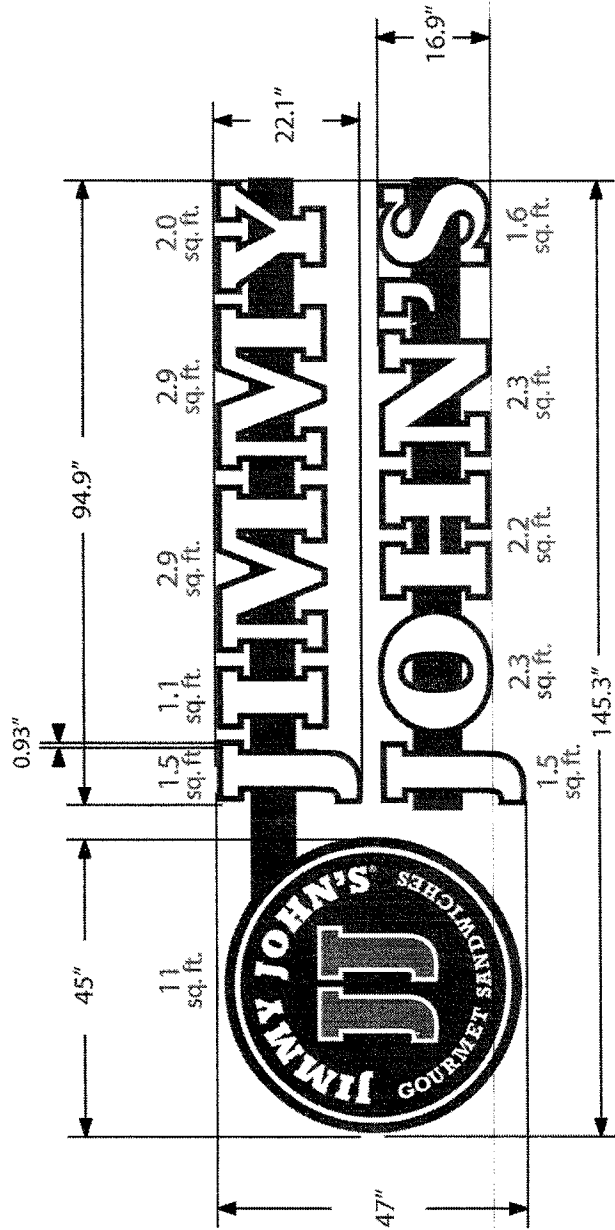
WEST ELEVATION

This is an original unpublished drawing confidentially submitted for your personal use in connection with a project being planned for you by Bendisen Signs and Graphics, Inc. It is not to be shown or described to other nor is it to be used reproduced, copied or exhibited in any fashion.

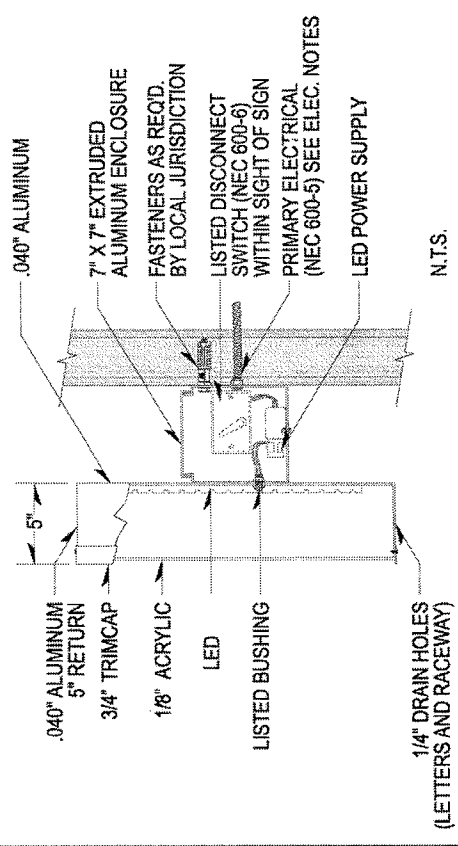
Designer: *[Signature]*
 Date: 04/16/15
 Bendisen Signs & Graphics, Inc. Sketch No. ANHBR. 300

For: Jimmy John's Gourmet Sandwiches - Ann Harbor, MI
 Quantity: One (1) set of internally illuminated channel letters mounted to black raceways
 Vinyl Colors: 3630-22 Black and 3630-83 Regal Red
 Non-Illuminated awning using Sunbrella 4608 Black and 4666 Red material

Bendisen
 Signs & Graphics, Inc.
 2901 N. Woodford St. Decatur, IL 62526
 PH: 217-877-2345
 FAX: 217-877-2347




31.3 sq. ft.




LED (US LED)		PNT-3-12-W		POWER SUPPLY		ADVANCE	
FACE	COLOR	THICKNESS	WHITE	KICKER MATERIAL	60 W POWER SUPPLY		ALUMINUM
RETURN	VINYL	DEPTH	PER STYLE	SCREWS	TO BE DETERMINED		#8 X 1/2" PHILLIPS HD.
RETAINER	COLOR	GAUGE	BLACK PRE-COAT	MOUNTING	INTERNAL		-
BACKS	COLOR	TYPE	BLACK	SWITCH	EXTERNAL		DISCONNECT/TOGGLE
RACEWAY	MATERIAL	GAUGE	TRIM CAP	*SPST DISCONNECT SWITCH LOCATE ON RACEWAY.			
	GAUGE	SIZE	ALUMINUM	*2 WEEP HOLES PER LETTER REQUIRED (3/8" DIA.)			
	SIZE		7" X 7" X .063"	*ALL ELECTRICAL OUTS LOCATED FOR RACEWAY OR REMOTE APPLICATION.			
	COLOR	MOUNTING	BLACK	*CAULK REQUIRED.			
			1 1/4" X 2" ALUM. BAR				

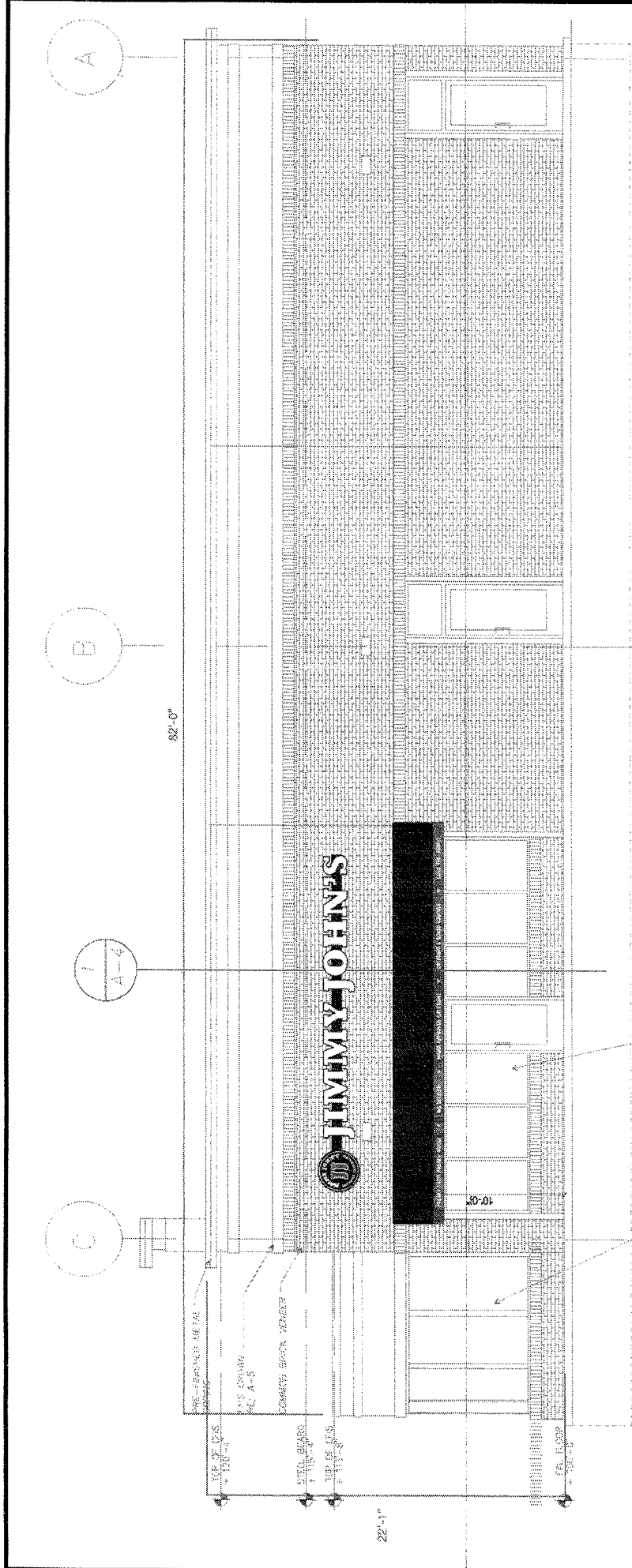
This is an original unpublished drawing confidentially submitted for your personal use in connection with a project being planned for you by Bendsen Signs and Graphics, Inc. It is not to be shown, copied or exhibited in any fashion.

Designer:  Date: 11-12-14
 Bendsen Signs & Graphics, Inc. Sketch No. ANHR 3004

For: Jimmy John's Gourmet Sandwiches - Ann Harbor, MI
 Quantity: One (1) set of internally illuminated channel letters mounted to black raceways
 Vinyl Colors: 3630-22 Black and 3630-83 Regal Red
 Non-Illuminated awning using Sunbrella 4608 Black and 4666 Red material

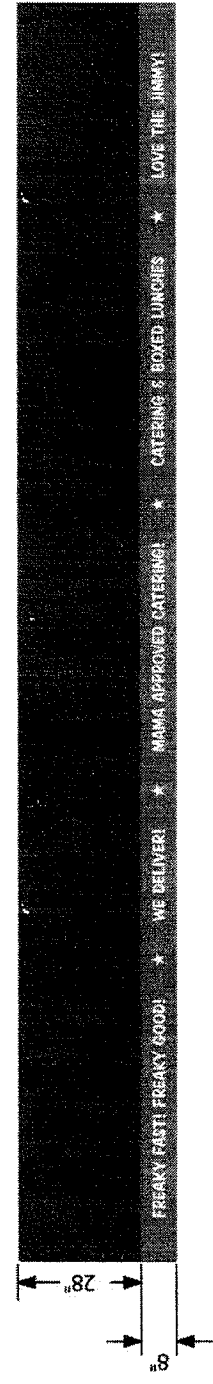


PH: 217-877-2345
 FAX: 217-877-2347
 2501 N. Woodford St. Decatur, IL 62526



SOUTH ELEVATION

23'-4"



6.33 sq. ft

This is an original unpublished drawing confidentially submitted for your personal use in connection with a project being planned for you by Bendsen Signs and Graphics, Inc. It is not to be shown or described to other parties to be used, reproduced, copied or exhibited in any fashion.

Designer: *[Signature]*
Date: 04/16/15

Bendsen
Signs & Graphics, Inc. Sketch No. ANHR 303

For: Jimmy John's Gourmet Sandwiches - Ann Harbor, MI
Quantity: One (1) set of internally illuminated channel letters mounted to black raceway
Vinyl Colors: 3630-22 Black and 3630-83 Regal Red
Non-Illuminated awning using Sunbrella 4608 Black and 4666 Red material

Bendsen
Signs & Graphics, Inc.

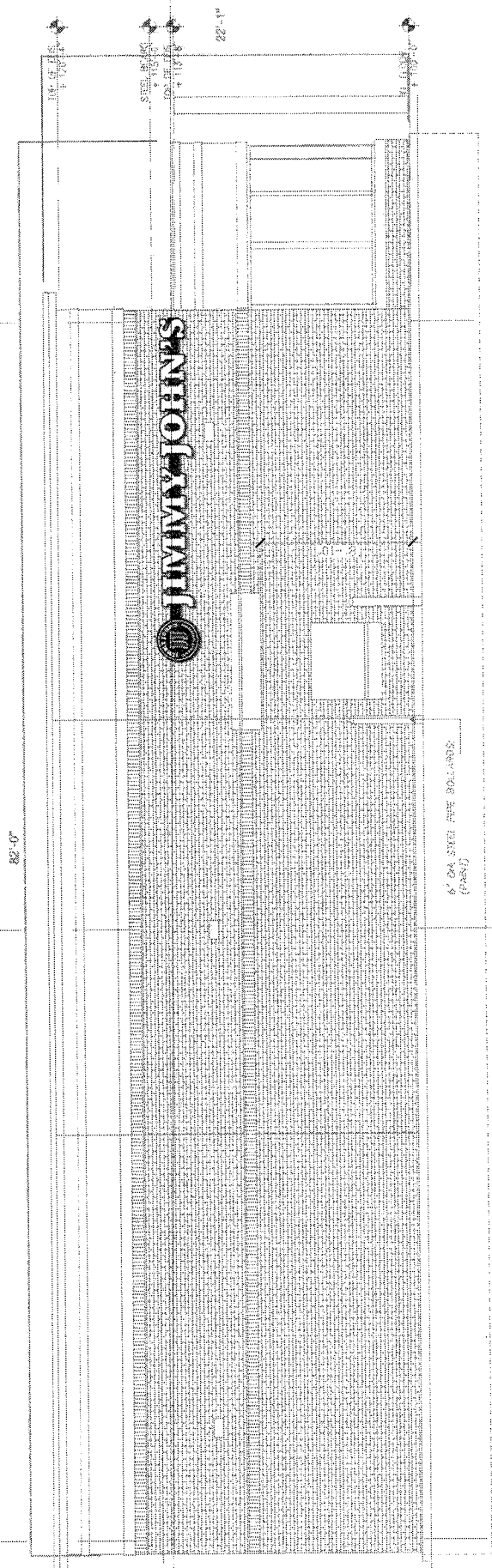
PH: 217-877-2345
FAX: 217-877-2347

2501 N. Woodford St. Decatur, IL 62526

C

B

A



NORTH ELEVATION

This is an original unpublished drawing confidentially submitted for your personal use in connection with a project being planned for you by Bendsen Signs and Graphics, Inc. It is not to be shown or described to other nor is it to be used reproduced, copied or exhibited in any fashion.

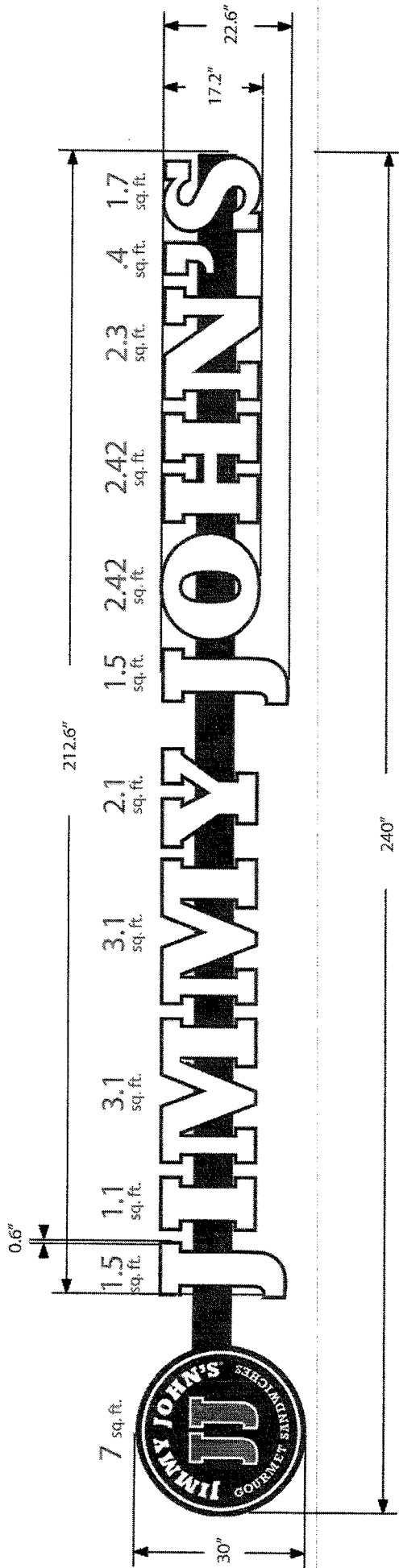
Designer: *[Signature]* Date: 04-16-15
 Sketch No. AMHRR 304

For: Jimmy John's Gourmet Sandwiches - Ann Harbor, MI
 Quantity: One (1) set of internally illuminated channel letters mounted to black raceway
 Vinyl Colors: 3630-22 Black and 3630-83 Regal Red

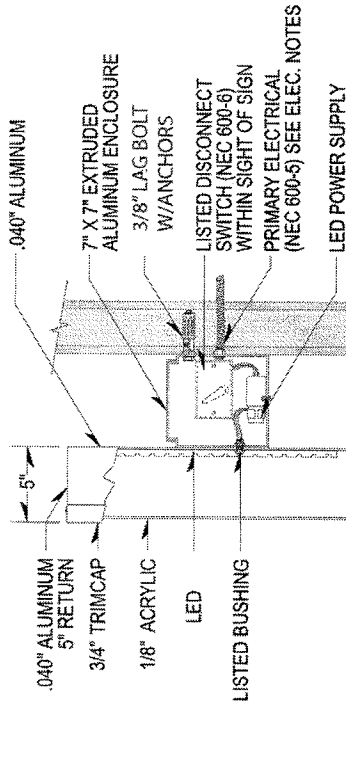
PH: 217-877-2245
 FAX: 217-877-5347



2901 N. Woodford St. Decatur, IL 62526




28.64 Sq. Ft.




LED (US LED)	COLOR	PNT-3-12-W	POWER SUPPLY	ADVANCE
FACE	THICKNESS	WHITE	60 W. POWER SUPPLY	ALUMINUM
RETURN	COLOR	1/8"	KICKER MATERIAL	TO BE DETERMINED
RETAINER	DEPTH	4.5" BLACK VINYL EXTRUDED AROUND THE LETTER BACKS	SCREWS	#8 X 1/2" PHILLIPS HD. TO MATCH TRIMCAP
BAGS	VINYL	PER STYLE	MOUNTING	INTERNAL
RACEWAY	COLOR	5"	SWITCH	TYPE
	GAUGE	BLACK PRE-COAT		DISCONNECT/TOGGLE
	SIZE	.040" X 5.3" COIL		
	COLOR	3/4"		
	TYPE	BLACK TRIM CAP		
	MATERIAL	ALUMINUM		
	GAUGE	.063"		
	SIZE	7" X 7" X .063"		
	COLOR	BLACK		
	MOUNTING	1/4" X 2" ALUM. BAR		

*SST DISCONNECT SWITCH LOCATE ON RACEWAY.
 *2 WEP HOLES PER LETTER REQUIRED (3/8" DIA.)
 *ALL ELECTRICAL GUTS LOCATED FOR RACEWAY OR REMOTE APPLICATION.
 *CALL REQUIRED.

This is an original unpublished drawing confidentially submitted for your personal use in connection with a project being planned for you by Bendson Signs and Graphics, Inc. It is not to be shown, copied or otherwise reproduced, copied or exhibited in any fashion.

Designer: 
 Date: 11/2/14
 Signs & Graphics, Inc. Sketch No. AWBFR_303a

For: Jimmy John's Gourmet Sandwiches - Ann Harbor, MI
 Quantity: Two (2) sets of internally illuminated channel letters mounted to black raceways
 Vinyl Colors: 3630-22 Black and 3630-83 Regal Red
 Non-Illuminated awning using Sunbrella 4608 Black and 4666 Red material


 2901 N. Woodford St. Decatur, IL 62526
 PH: 217-877-2345
 FAX: 217-877-2347