



TEREX®

CUSTOMER ORDER ACKNOWLEDGEMENT

Terex Utilities, Inc. - 200 Eden Way - White House, TN 37188 - Phone: 605-882-4000 - Fax: 605-882-5595

Date: **4/13/2017** NJPA Contract 042815-TER
REF NJPA QU06005
Quote Number: QU08600

City of Ann Arbor
4251 Stone School Road
Ann Arbor, MI 48108

Attention: Scott Bowling

NJPA Baseline Price: \$109,203

NJPA Baseline Chassis: \$67,539

Estimated Shipping & Handling: \$4,800

Open Market Items for NJPA: \$4,411

Open Market Chassis for NJPA: \$5,089 Total Chassis: \$72,628

Grand Total Each: \$191,042

*Plus all applicable taxes and license fees. Chassis payment is due upon chassis receipt at our facility.

Quote is valid for 30 days. Please ensure the accuracy of the specifications and drawings you provide. Changes made after receipt of order may incur additional charges. If you are trading equipment in, you warrant that: You have good title to the trade-in; it is free of all liens and encumbrances; all information you have provided related to the trade-in is true and correct.

Notes:

- 1) Delivery Terms are: FCA, Shipping Point Delivery Prepaid and Included.
- 2) Terms: Net 30 days
- 3) Delivery days from receipt of order shall be 210-270

Buyer hereby submits its offer to purchase the Products in this Quotation, subject to acceptance by Seller. Buyer has read and agrees to all of Seller's attached Terms and Conditions of Sale. Please fax completed form to 605-882-5595 or transmit it to your Account Manager.

Terex Utilities Inc.

Billy Niklasch
Sales Coordinator

Troy Hall
Account Manager

Accepted By:

PO Number: _____

Quantity: _____

Grand Total: _____

Date: _____

TERMS & CONDITIONS OF SALE
TEREX SOUTH DAKOTA, INC./TEREX UTILITIES, INC.
U.S. and CANADA (except Quebec)

1. Terms and Conditions. These Terms and Conditions of Sale cancel and supersede any and all terms of sale pertaining to Parts and Equipment (and any supplements thereto) previously issued by Seller to Buyer and are subject to change without advance notice. "Seller" herein shall be the seller identified in the Sales Order Acknowledgement or other applicable sales documents. The prices, charges, discounts, terms of sale and other provisions referred to or contained herein shall apply to Seller's Parts and Equipment (hereinafter collectively referred to as "Products") sold and shipped to Buyer on and after August 1, 2016, and shall remain in effect unless and until superseded in writing by Seller. Acceptance of an order for Products by Seller shall be deemed to constitute a binding agreement between the parties pursuant to the terms and conditions contained herein and Buyer agrees that the order may not thereafter be cancelled, countermanded or otherwise changed without the prior consent of Seller. This agreement supersedes any prior agreements, representations, or other communications between the parties relating to the subject matter set forth herein. No other terms and conditions shall apply including the terms of any purchase order submitted to Seller by Buyer, whether or not such terms are inconsistent or conflict with or are in addition to the terms and conditions set forth herein. Seller's acceptance of Buyer's purchase order is conditional upon Buyer's acceptance of all the terms and conditions contained herein. Any communication construed as an offer by Seller and acceptance thereof is expressly limited to the terms and conditions set forth herein. The Products are intended for industrial/commercial use by professional contractors and their trained employees and are not intended for use by consumers.

2. Terms of Payments. Payment for Products purchased by Buyer shall be made in accordance with any of the following terms, provided they have been previously arranged with and expressly approved by Seller in writing: (1) cash in advance; (2) confirmed, irrevocable letter of credit established in such amount and form and at such time and at such bank as shall be approved by Seller in respect of each order; (3) credit account purchases for which payment will be due and payable on net thirty (30) day terms, plus service and other charges applicable to past due amounts in accordance with Seller's written notices; or (4) other payment arrangements expressly approved by Seller in writing prior to or at the time the order is placed. If any Buyer credit account purchase is not paid in accordance with Seller's credit payment terms, in addition to any other remedies allowed in equity or by law, Seller may refuse to make further shipments without advance payment by Buyer. Nothing contained herein shall be construed as requiring Seller to sell any Products to Buyer on credit terms at any time, or prohibiting Seller from making any and all credit decisions which it, in its sole discretion, deems appropriate for Seller. Seller shall have the right, at its option, to charge interest on all amounts not paid when due and Buyer agrees to pay such interest calculated on a daily basis, from the date that payment was due until the Seller receives payment in full, at the rate of 1.5% per month or the maximum rate permitted by applicable law. Unless otherwise agreed in writing between Seller and Buyer, Seller may, in its sole discretion, increase or decrease the price of any Product, as Seller deems reasonably necessary, at any time prior to shipment and invoice Buyer for the same. If Buyer orders the chassis through Seller, the chassis payment is due upon receipt of chassis by Seller and the balance owed for the completed unit is due in accordance with agreed upon payment terms. When supplied by Buyer, Seller will inspect the chassis upon receipt and will notify Buyer of any chassis mounted components (including but not limited to fuel tanks, air tanks, battery boxes and exhaust systems) that require relocation. Buyer will be invoiced for such work upon completion of the finished Equipment.

3. Taxes and Duties. Unless otherwise noted, prices quoted do not include taxes or duties of any kind or nature. Buyer agrees that it will be responsible for filing all tax returns and paying applicable tax, duty, export preparation charge and export documentation charge resulting from the purchase of the Products. In addition, in the event any other similar tax is determined to apply to Buyer's purchase of the Products from Seller, Buyer agrees to indemnify and hold Seller harmless from and against any and all such other similar taxes, duties and fees. All prices quoted are U.S. dollars unless otherwise specified. The amount of any present or future taxes applicable to the sale, transfer, lease or use of the Products shall be paid by Buyer; or in lieu thereof, Buyer shall provide Seller with a tax exemption certificate satisfactory to the applicable taxing authority proving that no such tax is due and payable upon such sale, transfer, lease or use.

4. Title, Property, Risk and Delivery. Unless otherwise stated in writing, for all intra-continental United States shipments, all prices and delivery are FCA, point of manufacture (Incoterms 2010); for all other shipments, all prices and delivery are FAS, named port of shipment (Incoterms 2010). Title and all risk of loss or damage to Products shall pass to Buyer upon delivery, as per Incoterms 2010. Any claims for loss, damage or delay in transit must be entered and prosecuted by the Buyer directly with the carrier, who is hereby declared to be the agent of the Buyer. Seller shall not be liable for any delay in performance of this agreement or delivery of the Products, or for any damages suffered by Buyer by reason of delay, when the delay is caused, directly or indirectly, by a force majeure event described in Section 20 herein or any other cause beyond Seller's control. Claims for shortages in shipments shall be deemed waived and released by Buyer unless made in writing within five (5) days after Buyer's receipt of shipment. Seller's responsibility for shipment shall cease upon delivery of the Products to the place of shipment, and all claims occurring thereafter shall be made to or against the carrier by Buyer. Delivery shall generally be 240 to 270 days after receipt by Seller of a signed Order, provided that, where applicable: (1) Seller receives the chassis a minimum of 90 days prior to scheduled delivery, (2) drawings are timely sent by Buyer and the approved drawings are returned to Seller by Buyer by the requested date, (3) all vendor-supplied components and Buyer-supplied accessories are received by Seller by the date necessary to comply with scheduled delivery. Seller shall not be liable for any delay in performance of this agreement or delivery of the Products, or for any damages suffered by Buyer by reason of delay, when the

delay is caused, directly or indirectly, by a force majeure event described in Section 20 herein or any other cause beyond Seller's control. Claims for shortages in shipments shall be deemed waived and released by Buyer unless made in writing within fifteen (15) days after Buyer's receipt of shipment. Seller's responsibility for shipment shall cease upon delivery of the Parts and or Equipment to the place of shipment, and all claims occurring thereafter shall be made to or against the carrier by Buyer.

5. Delays Caused By Buyer. In the event of a delay in shipment or delivery due to delay by Buyer in furnishing delivery instructions, arranging a method of payment satisfactory to Seller, submitting valid import permits or licenses, or any other delay caused by Buyer or at Buyer's request, if the Products are not shipped or delivered within five (5) days from the first date they are ready to be shipped or delivered, then Seller shall be entitled to charge, as compensation, any additional costs incurred related to such delay. If the Products are not shipped or delivered by the date which is ten (10) days from the first date they are ready to be shipped or delivered, then Buyer's order shall be deemed cancelled and Seller may, in its sole discretion, sell such Products to another buyer without any liability or responsibility to Buyer whatsoever. Seller shall have the right to keep payments on account already received from Buyer, and the difference between the sales price (increased by any other and all further costs, including but not limited to attorney's fees and expenses, storage and other costs, and interest accrued thereon) and the price received from another buyer shall constitute a debt of Buyer and bear interest at the same rate set forth in Section 2 herein. Seller shall be entitled to claim for any further damages suffered as a consequence of Buyer's breach of its obligations hereunder.

6. Cancellation. Prior to delivery to place of shipment, a Product order may be cancelled only with Seller's prior consent and upon terms indemnifying Seller from all resulting losses and damages. Seller shall have the right to cancel and refuse to complete a Product order if any term and/or condition governing this agreement is not complied with by Buyer. In the event of cancellation by Seller, or in the event Seller consents to a request by Buyer to stop work or to cancel the whole or any part of any order, Buyer shall, in the event that Seller asks Buyer to do so, make reimbursement to Seller, as follows: (i) any and all work that can be completed within thirty (30) days from date of notification to stop work on account of cancellation shall be completed, shipped and paid in full; and (ii) for work in progress and any materials and supplies procured or for which definite commitments have been made by Seller in connection with the order, Buyer shall pay such sums as may be required to fully compensate Seller for actual costs incurred, plus fifteen percent (15%). Buyer may not cancel any order after Seller's delivery to place of shipment. Orders for "Special" Equipment may not be cancelled after acceptance, except by Seller. Items of "Special" Equipment are those that differ from standard Seller specifications, have a limited market, or incorporate specifications that have been determined for a specific application. Determination of whether an item of Equipment is "Special" shall be made by Seller in its sole discretion.

7. Inspection and Acceptance. Buyer agrees that it shall inspect the Products immediately after receipt and promptly (in no event later than fifteen (15) days after receipt) notify Seller in writing of any non-conformity or defect. Buyer further agrees that failure to give such prompt notice or the commercial use of the Products shall constitute acceptance. Acceptance shall be final and Buyer waives the right to revoke acceptance for any reason, whether or not known by Buyer at the time of such acceptance. The giving of any such notice by Buyer shall automatically cause the provisions of Seller's warranty to apply and govern the rights, obligations and liabilities of the parties with respect to such nonconformity or defect, provided under no circumstances shall rejection give rise to any liability of Seller for incidental or consequential damages or losses of any kind. Seller shall not be bound by any agent's, employee's or any other representation, promise or inducement not set forth herein. Seller's catalogues, technical circulars, price lists, illustrations, drawings and any other similar literature are for Buyer's general guidance only and the particulars contained in them shall not constitute representations by Seller and Seller shall not be bound by them.

8. Warranty for New Products. Seller warrants its new Equipment and Parts manufactured and sold worldwide, to be free, under normal use and service, of any defects in material or workmanship for a period of twelve (12) months from the date of delivery (as limited by Seller's Limited Product Warranty); provided that Buyer sends Seller written notice of the defect within thirty (30) days of its discovery and establishes that: (i) the Equipment has been operated and maintained in strict compliance with Seller's operating and maintenance manuals ; and (ii) the defect did not result in any manner from the intentional or negligent action or inaction of Buyer, its agents or employees and (2) a new machine registration certificate has been completed, signed and delivered to the Seller within thirty (30) days of the Equipment's "in-service" date. If requested by Seller, Buyer must return any defective Product to Seller's manufacturing facility, or other location designated by Seller, for inspection, and if Buyer cannot establish that conditions (i) and (ii) above have been met, then this warranty shall not cover the alleged defect. Failure to give written notice of defect within such period shall be a waiver of this warranty and any assistance rendered thereafter shall not extend or revive it. Accessories, assemblies and components included in the Products of Seller, which are not manufactured by Seller, are subject to the warranty of their respective manufacturers. This warranty shall not cover any item on which serial numbers have been altered, defaced or removed. Maintenance and wear parts are not covered by this warranty and are the sole maintenance responsibility of Buyer. This warranty is limited to the original purchaser or end-user if sold to a distributor, and is not assignable or otherwise transferable without written agreement of Seller. **THIS WARRANTY IS EXPRESSLY IN LIEU OF AND EXCLUDES ALL OTHER WARRANTIES, EXPRESS OR IMPLIED (INCLUDING THE WARRANTIES OF MERCHANTABILITY AND FITNESS FOR A PARTICULAR PURPOSE) AND ALL OTHER OBLIGATIONS OR LIABILITY ON SELLER'S PART. THERE ARE NO WARRANTIES THAT EXTEND BEYOND THE LIMITED WARRANTY CONTAINED HEREIN.** Seller neither assumes nor authorizes any other person to assume for Seller any other liability in connection with the sale of Seller's Products. This warranty shall not apply to any of Seller's Products or any part thereof which has been subject to misuse, alteration, abuse,

negligence, accident, acts of God or sabotage. No action by either party shall operate to extend or revive this limited warranty without prior written consent of Seller.

9. Warranty for Used Equipment. Used Equipment sold hereunder is sold on an “AS IS, WHERE IS, WITH ALL FAULTS” BASIS WITH NO WARRANTIES WHATSOEVER, EXCEPT AS TO TITLE, UNLESS OTHERWISE SPECIFICALLY AGREED IN WRITING BY BUYER AND SELLER. SELLER ASSUMES NO RESPONSIBILITY FOR THE CONDITION, SAFETY, LEGAL COMPLIANCE, OR USABILITY OF THE USED EQUIPMENT AND MAKES NO REPRESENTATION OR WARRANTY, EXPRESS OR IMPLIED, WITH RESPECT TO THE USED EQUIPMENT INCLUDING, WITHOUT LIMITATION, ANY IMPLIED WARRANTY OF MERCHANTABILITY OR FITNESS FOR A PARTICULAR PURPOSE. SELLER MAKES NO REPRESENTATION OR WARRANTY REGARDING THE CONDITION OF THE USED EQUIPMENT, NOR THE SUFFICIENCY OF ANY WARNINGS, INSTRUCTIONS OR MANUALS PROVIDED WITH THE USED EQUIPMENT. Seller recommends and Buyer acknowledges that Buyer should contact the original manufacturer to obtain all available information for the used Equipment, including but not limited to product manuals, warnings, safety bulletins, recall notices, and instructional placards before using the used Equipment. Seller shall not be responsible for providing such information. Buyer agrees not to assert any claims against Seller with respect to the used Equipment or its use. Buyer agrees that it shall inspect the used Equipment prior to issuance of a purchase order for such Equipment and acknowledges that it is not relying upon any photographs, images, videos, representations, statements or other assertions made by Seller with respect to the used Equipment’s condition, but is relying upon its own knowledge and/or inspection of the used Equipment.

10. Remedies for Breach. IN THE EVENT OF ANY BREACH OF THE WARRANTY BY SELLER, THE PARTIES AGREE THAT SELLER’S LIABILITY SHALL BE LIMITED EXCLUSIVELY TO THE REMEDIES OF REPAIR OR REPLACEMENT (AT SELLER’S SOLE DISCRETION) OF ANY DEFECTIVE EQUIPMENT COVERED BY THE WARRANTY. In no event shall any repair or replacement of any defective equipment covered by the Seller’s warranty extend the length of the warranty beyond the period specified in Section 8 herein.

11. Limitation of Liability. NOTWITHSTANDING ANYTHING CONTAINED IN THIS AGREEMENT TO THE CONTRARY, SELLER AND ITS AFFILIATES SHALL NOT BE LIABLE FOR, AND SPECIFICALLY DISCLAIM, ANY LIABILITY FOR ANY: (A) LOST PROFITS AND/OR BUSINESS INTERRUPTION (WHETHER DIRECT OR INDIRECT); AND (B) INDIRECT, INCIDENTAL, CONSEQUENTIAL (WHETHER DIRECT OR INDIRECT) OR OTHER DAMAGES OR LOSSES OF ANY KIND WHATSOEVER, including, without limitation, labor costs, lost profits, loss of use of other equipment, third party repairs, personal injury, emotional or mental distress, improper performance or work, penalties of any kind, loss of service of personnel, or failure of Products to comply with any federal, state, provincial or local laws, regardless of whether arising from a breach of contract, or warranty, legal claims or otherwise. **Nothing in this Section shall operate to exclude Seller’s liability for death or personal injury when directly related to Seller’s negligent act or omission.**

12. Limitation of Actions. Any action for breach of this agreement must be commenced within one (1) year after the cause of action has accrued.

13. Specification Changes. In the event Seller incurs additional expense because of changes in specifications or drawings previously approved by Buyer, or in the event Seller is required to modify the ordered Equipment, perform any additional work or supply any additional Products, the additional expense shall be added to the purchase price. Buyer must submit to Seller a revised purchase order specifying any and all requested changes. Upon receipt of Buyer’s revised purchase order, Seller shall have the right, in its sole discretion, to accept or reject any changes in specifications requested by Buyer.

14. Trade-in Offers. Trade-in offers are subject to Seller’s inspection and acceptance of the equipment, which must have been maintained to U.S. Department of Transportation operating and safety standards. All accessories on the equipment, including without limitation jibs, winches, pintle hooks and trailer connectors, must remain with the equipment unless otherwise agreed by Seller and Buyer in writing. Seller reserves the right to cancel any trade-in offers or agreements if these conditions are not met, or if Buyer has misrepresented any information about the trade-in unit.

15. Insurance. Until the purchase price of any Products is paid in full, the Buyer shall provide and maintain insurance equal to the total value of the Equipment delivered hereunder against customary casualties and risks; including, but not limited to fire and explosion, and shall also insure against liability for accidents and injuries to the public or to employees, in the names of Seller and Buyer as their interest may appear, and in an amount satisfactory to Seller. If the Buyer fails to provide such insurance, it then becomes the Buyer’s responsibility to notify the Seller so that the Seller may provide same; and the cost thereof shall be added to the contract price. All loss resulting from the failure to affect such insurance shall be assumed by the Buyer.

16. Patents, Copyrights, Trademarks, Confidentiality. No license or other rights under any patents, copyrights or trademarks owned or controlled by Seller or under which Seller is licensed are granted to Buyer or implied by the sale of Products hereunder. Buyer shall not identify as genuine products of Seller products purchased hereunder which Buyer has treated, modified or altered in any way, nor shall Buyer use Seller’s trademarks to identify such products; provided, however, that Buyer may identify such products as utilizing, containing or having been manufactured from genuine products of Seller as treated, modified or altered by Buyer or Buyer’s representative, upon prior written approval of Seller. All plans,

photographs, designs, drawings, blueprints, manuals, specifications and other documents relating to the business of Seller ("Information") shall be and remain the exclusive property of Seller and shall be treated by Buyer as confidential information and not disclosed, given, loaned, exhibited, sold or transferred to any third party without Seller's prior written approval; provided, however, that these restrictions shall not apply to Information that Buyer can demonstrate: (a) at the time of disclosure, is generally known to the public other than as a result of a breach of this Agreement by Buyer; or (b) is already in Buyer's possession at the time of disclosure by from a third party having a right to impart such Information.

17. Default and Seller's Remedies. In the event of default by Buyer, all unpaid sums and installments owed to Seller, shall, at Seller's sole option, become immediately due and payable without notice of any kind to Buyer. In addition to its right of acceleration, Seller may pursue any and all remedies allowed by law or in equity, including but not limited to any and all remedies available to it under the Delaware Uniform Commercial Code. In addition to the foregoing, and not in limitation thereof, Seller shall have the right to set off any credits or amounts owed to Buyer against any amounts owed by Buyer to Seller.

18. Indemnification by Buyer. Buyer hereby agrees to indemnify, release, defend and hold harmless Seller, its directors, officers, employees, agents, representatives, successors, and assigns against any and all suits, actions or proceedings at law or in equity (including the costs, expenses and reasonable attorney's fees incurred in connection with the defense of any such matter) and from any and all claims demands, losses, judgments, damages, costs, expenses or liabilities, to any person whatsoever (including Buyer's and Seller's employees or any third party), or damage to any property (including Buyer's property) arising out of or in any way connected with the performance or the furnishing of Products under this agreement, regardless of whether any act, omission, negligence (including any act, omission or negligence, relating to the manufacture, design, repair, erection, service or installation of or warnings made or lack thereof with respect to any Products furnished hereunder) of Seller, its directors, officers, employees, agents, representatives, successors or assigns caused or contributed thereto. If Buyer fails to fulfill any of its obligations under this paragraph or this agreement, Buyer agrees to pay Seller all costs, expenses and attorney's fees incurred by Seller to establish or enforce Seller's rights. The provisions of this paragraph are in addition to any other rights or obligations set forth in this agreement.

19. Installation. Unless otherwise expressly agreed in writing, Buyer shall be solely responsible for the installation and erection of the Products purchased. Although Seller may in some cases provide a serviceman, data and drawings to aid Buyer with installation or start-up, Seller assumes no responsibility for proper installation or support of any Products when installed and disclaims any express or implied warranties with respect to such installation and support. Notwithstanding whether data and drawings are provided or a serviceman aids in the installation, Buyer shall indemnify and hold Seller harmless and at Seller's request, defend Seller from all claims, demands or legal proceedings (including the costs, expenses and reasonable attorney's fees incurred in connection with the defense of any such matter) which may be made or brought against Seller in connection with damage or personal injury arising out of said installation or start-up.

20. Force Majeure. Seller shall not be liable to Buyer or be deemed to be in breach of this agreement by reason of any delay in performing, or any failure to perform, any of Seller's obligations in relation to the Products if the delay or failure was due to any cause beyond the reasonable control of Seller including (without limitation) strike, lockout, riot, civil commotion, fire, accident, explosion, tempest, act of God, war, epidemic, stoppage of transport, terrorist activity, supply shortage or changes in government, governmental agency, laws, regulations or administrative practices.

21. Anti-Corruption; Export Controls; No Boycotts. Buyer agrees that it shall, and that any party retained by the Buyer ("Retained Party") shall, comply with all applicable laws including, but not limited to, laws prohibiting public corruption and commercial bribery. Buyer further agrees that it shall, and that any Retained Party shall, comply with all applicable export controls, economic sanctions, embargoes and regulations regarding the export, re-export, shipment, distribution and/or sale of the Products, technology, information or warranty related services. Buyer further agrees that it shall comply with applicable laws pursuant to the Joint Comprehensive Plan of Action (JCPOA) of July 14, 2015 and any other applicable laws, resolutions, regulations or licenses for the export or re-export of Products, technology, information or warranty related services directly, or with its knowledge indirectly into Iran. Buyer further agrees that it shall not, and any Retained Party shall not, export or re-export the Products, technology, information or warranty related services directly, or with its knowledge, indirectly, into Sudan. Buyer further agrees that it shall not, and any Retained Party shall not, export or re-export the Products, technology, information or warranty related services directly or with its knowledge indirectly into Cuba without Buyer first obtaining written approval from Seller. Failure to comply strictly with this section and all applicable laws, regulations and licensing/approval requirements shall be grounds for immediate termination of this agreement by Seller. Notwithstanding anything to the contrary contained in any agreement between the Buyer and Seller or in any other document or agreement relating to the Products sold hereunder, Seller will not comply with requests related to the boycott of any country or other jurisdiction, except to the extent such boycott is required by or otherwise not inconsistent with United States law.

22. Telematics. If a telematics system is included with the Equipment, the telematics system is administered by a third party ("Teleservice Provider") and collects a range of operational data about the Equipment including, but not limited to, usage, performance and reliability. Buyer consents to Seller's obtaining such data from the Teleservice Provider for warranty, product improvement and customer support purposes

23. Construction and Severability. These Terms and Conditions of Sale constitute the entire agreement between the parties regarding the subject matter hereof and shall be construed and enforced in accordance with the laws of Delaware. The United Nations Convention on Contracts for the International Sale of Goods (1980) (CISG) shall not apply. The invalidity or unenforceability of any provisions of this agreement shall not affect any other provision and this agreement shall be construed in all respects as if such invalid or unenforceable provision were omitted.

24. Jurisdiction. The parties agree that the proper and exclusive forum and venue in all legal actions brought to enforce or construe any provisions herein shall be in United States District Court, District of Delaware or, if federal jurisdiction is lacking in such action, in New Castle County Superior Court in Delaware.

25. No Assignment. No rights arising under this agreement may be assigned by the Buyer unless expressly agreed to in writing by the Seller.

26. No Set-off. Buyer shall have no right to set-off any amounts it may owe Seller against amounts Seller may owe Buyer under this or any other agreement between Buyer and Seller.

27. Miscellaneous. Buyer represents that: (i) it is solvent and has the financial ability to pay for the Equipment and Parts purchased hereunder and (ii) it has all requisite right, power and authority to perform its obligations under this agreement.

Buyer's Initials: _____



Terex Utilities, Inc.
500 Oakwood Rd, Watertown, SD 57201
Phone: 605-882-4000 Fax: 605-882-1842

03/08/2017

CITY OF ANN ARBOR
4251 STONE SCHOOL RD
ANN ARBOR, MI 48108
Attention: SCOTT BOWLING

Phone: (517)206-0866

Qty. Description

UNIT

- 1 One (1) new Terex Hi-Ranger TL55 Articulating / Telescoping Aerial Device providing a working height of 60.1 ft (18.3 m).
Unit will be mounted behind the cab.

Design Criteria:

* Design criteria is in accordance with current industry and engineering standards applicable and accepted for structural and hydraulic design.

Aerial device is designed as a Category C machine in accordance and is dielectrically tested and rated for operation on systems up to 46 Kv phase to phase per ANSI/SIA A92.2-2015

Turntable and Lower Boom Assembly:

Lower Boom:

- * Filament wound high strength fiberglass insert providing an insulation gap.
- * The lower boom articulation is from 0 to 93 degrees.

Lower Controls:

- * Individual control levers are located in an accessible location on the turntable.

Rotation:

- * Self-locking worm gear rotation drive is provided and equipped with bi-directional motor.

Hydraulic System:

- * Full pressure open center hydraulic system.
- * Hydraulic hoses are equipped with permanent type fittings.

Miscellaneous:

- * All metallic components of the complete aerial device are prime painted.
- * The fiberglass upper boom, boom inserts, platforms and covers are white.
- * Two complete manuals providing operation and maintenance procedures and a replacement parts listing.
- * Warning decals provided with unit.

- 1 Pedestal with 20 gallon integral tank.
* The pedestal is designed with access holes for maintenance of hydraulic plumbing.

Qty. Description

* An internal 20-gallon hydraulic oil reservoir provided with a 60-mesh filler screen baffles gauge. 100 mesh suction screen with bypass clean out access hole and dip stick.

- 1 Boom Tip with 4 Function Controls, Platform Rotator, Platform Lifter and 1000 lb. removable top mounted cobra style jib that does not rotate with platform.

Upper Controls: "Control-Plus" single stick controller.

* Enable lever must be actuated before operation.

The end mount platform rotator offering 180 degrees of hydraulic rotation.

The platform lifter provides 24" of vertical platform lift.

Hydraulic Platform Tilt is provided at platform and lower controls.

Engine Stop/Start controlled at platform and lower controls.

Upper Boom:

* Filament wound high strength fiberglass boom providing an insulation gap.

Top mount, Removable 1000 lb. Jib/Winch

* Levels with platform.

* Hydraulic articulation from -20 to 70 degrees.

* 51" load radius from the platform shaft.

* Manual extension 17".

* Maximum jib capacity of 1000 lb.

* Includes up to 75' of 3/8" winch rope and hook.

* Low profile stowed position of 16" and the boom can still utilize its full range of motion down to -40 degrees.

* Poppet valve protection of fiberglass boom. Stops boom operation if jib contacts fiberglass boom

* King post attached to jib. Low profile socket when jib removed to minimize interference and overall height.

** ALTERED FROM STANDARD **

- 1 Engineering Documentation Required

- 1 Platform, End Mount, 24 x 48 x 42:

* Includes one outside access step with slip-resistant surface.

* Two safety harnesses with lanyards.

* A Padded saddle rest provides platform support during road travel.

- 1 Insulated Platform Liner For 24" x 48" x 42" Platform:

* Tested at 50 KV AC.

- 1 Vinyl Platform And Control Cover For 24" x 48" Platform:

* Waterproof, internal elastic cord around edge and external elastic cord around control cover.

- 1 Engine Throttle Control:

* A two speed engine throttle control is provided at the upper controls.

* The engine will advance to a pre-set speed when engaged and decrease to idle when

Qty. Description

disengaged.

- 1 Dual Hydraulic Tool Outlets At Platform With Flow Control:
 - * Installed at the platform to accommodate two open center hydraulic tools.
 - * Provides 5 GPM at 2250 psi at engine idle.
- 1 Auxiliary Power:
 - * Allows the operation of any function for a time period limited by battery life.
 - *Includes 12 volt electric motor for use on a 12 volt chassis.
 - Note: This includes a switch for activation at pedestal for electric or air function.
- 1 Continuous And Unrestricted Rotation:
 - * A hydraulic rotary manifold provides a rotating oil distribution system for continuous and unrestricted rotation.
 - * A 4 channel electric collector ring is provided as standard.
- 1 Terex Chassis Controller (DTS51) 12 volt:
 - *Display Screen - Provides Inputs and Outputs indication for trouble shooting.
 - *Warning screens.
 - *Switch Buttons have LED indicators to show when active.
 - *Recommended for all Class 6 and above Chassis types.
 - *One system for all Chassis Types
 - *Controller programmable for communication with different Chassis manufacturers.
- 1 Heavy Duty A-Frame Outriggers with swivel type stabilizer pads. (9283)
- 1 Underslung Modified A-Frame Outriggers with swivel type stabilizer pads. (8352)
- 1 Controls For 2-Sets Of Outriggers And Auxiliary Tool Outlets (Open center systems):
 - * Recessed at rear of truck each side for ease of view for outrigger placement.
 - * Includes switches and alarm for outrigger in motion alarm.
- 1 Outrigger Interlock:
 - * To operate the boom the outriggers must be extended.
- 1 Subframe for 120" CA chassis.
 - * Subframe constructed with a 10.5' possum belly length
 - * Subframe is 197.00" long
 - * Constructed with 6" x 6" x 3/8" wall square tubing with 5/16" thick steel plate.
- 1 Tie down kit.
- 1 A boom rest with a automatic latch is provided.
- 1 Pump for systems requiring 11 gallons per minute:
 - *Fixed displacement vane pump providing 5 gallons per minute at 725 engine rpm and 8 gallons per minute at 1050 engine rpm with a 103% pto.
- 1 Extended derrick / aerial device warranty, two (2) year, in lieu of standard one year warranty for Terex South Dakota, Inc. installed unit.

Qty. Description

BODY, INSTALLATION

** BODY INFORMATION **

- 1 Steel stringer style body per the supplied specifications.

- 1 Hose and fittings to connect the hydraulic system from the oil reservoir to the pump and unit.

- 1 Platform rest, bottom base

- 1 Chassis Spring Additions:
* Build up left rear chassis springs to level vehicle.

- 1 Power take off with indicator light for automatic transmission.

- 1 DOT Inspection.

- 1 Set chassis parameters.

- 1 Back-up alarm to sound when the vehicle is shifted into reverse.

- 4 Laminated wood outrigger pad 24" x 24" x 2-1/4" with rope handle.
* Includes outrigger pad storage.

- 4 Rubber wheel chocks with eye bolt.

- 1 Grab handles as necessary for 3-point contact.

- 2 Cable type gripstrut stirrup step.

- 1 Rigid stirrup step mounted on side access for ground to body access.

- 1 Access steps to platform from top of body or flatbed floor.

- 2 Mud flap with logo 30" tall.
Note: Trim As-Required.

- 1 Under body mounting kit for a pair of mud flaps.

- 1 Bracket for storing grounding cable.

- 1 2/0 Black Electrical Cable used for grounding per ASTM F855-04:
* 50' of multi-strand flexible copper cable, three grounding lugs, two ferrules and grounding clamp.
* Three point grounding system for grounding vehicle during work operations.
* Cable must be fully removed from bracket before use.
NOTE! Purchaser to verify this meets their company's requirements for fault current.

- 1 Grounding Loop Kit:
* Consists of (2) grounding copper rings located one at front and one at rear.

Qty. Description

- 1 Boom rest.
- 1 Peterson LED 7-lamp DOT Lighting Package:
 - * Complies with FMVSS 108.
 - * Includes required lights, junction box and wiring harness.
 - * Note: Back-up lights are incandescent.
- 1 Lighted license plate bracket kit with incandescent light.
- 2 Amber strobe light (LED) with 4" tall & 6" dia. lens, and branch guard.
- 2 Strobe post mount bracket weldment for medium chassis.
Note: Includes (2) 104381 corner gussets on bracket.
- 1 Glad Hand Kit
 - *Requires tractor protection valve and air lines to the rear.
- 1 Hour meter for power take off engagement time or engine hours, specify.
- 1 Remote engine stop/start control from rear of vehicle.
- 1 Remote two-speed control from rear of vehicle.
- 1 15 ton pintle hook:
 - * Safety chain eyes.
 - "Pintle hook brackets and attachment methods are designed to meet the associated pintle hook ratings. They are not designed for recovery purposes. If recovery attachments are required, please order the appropriate tow eyes."
- 1 ICC rear bumper.
- 1 7-prong trailer socket.
NOTE: Stop & turn signal lights on combined circuit.
- 30 Fill with Hydraulic oil for general purpose use.
 - * Refer to the product maintenance manual for specific type to be used.
- 1 Safety Kit consists of the following:
 - * 5-lb ABC fire extinguisher with bracket.
 - * James King triangle reflector kit.
- 1 Paint TL, LTM & TPL aerial device one color.
- 1 Paint body floor with non-skid paint.
- 1 Paint compartment top with non-skid paint.
- 1 Paint premium for yellow, orange or red color.

CHASSIS**** CHASSIS INFORMATION ****

Qty. Description

1 2018 Freightliner M2 106 4x2 per the supplied specifications.

SPECIAL CHARGES

1 Delivery to Customer.

OPTIONS:

ADD

1. Federal Excise Tax will be added if certificate is not supplied with order.
2. The following items must be considered by the purchaser if not already included:
Back-up Alarm \$150.00; Strobe Light \$525.00; Wheel Chocks \$110.00;
Outrigger Pads \$200.00 to \$650.00 (based on pad size & type); Truck Grounding Cable \$550.00;
Barricade Kit \$895.00; Hydraulic Over Load Protection (derrick only, price will vary
based on final option selection); Boom / Boom Stow Interlock \$700.00; Engine Stop / Start
\$200.00 to \$795.00 (based on unit model); Auxiliary Let Down \$1500.00; and Platform
Liner \$380.00 to \$625.00 (based on platform size).
3. Terex Utilities, Inc. strongly recommends all installation accessories be located up front in
front in the quote or secondarily on the approved engineering drawing. Any accessories located
or relocated during manufacturing may be subject to additional charges.
4. Terex Utilities, Inc. - Assembly in Watertown, South Dakota is ISO 9001:2000 Certified.

Dakota Bodies Inc. Line Body
168 inches long x 46 inches high x 94 inches wide
Chassis cab to axle (CA) of 120 inches with dual rear wheel axle.

Body Dimensions:

- 46 Inches - Compartment height
- 18 Inches - Compartment depth
- 58 Inches - Load space width
- 30 Inches - Top of body to the top of the floor
- 24 Inches - Horizontal compartment height

Body Materials:

- 16 gauge galvanized. - Main body material
- 13 gauge hot rolled treadplate compartment tops with **DBI style** drip edge.
- 18 gauge galvanized - Inner door panels
- 18 gauge galvanized - Outer door panels
 - 5/16" Stainless Steel continuous rod - Door Hinge Rod.
 - Stainless Steel - Door Hinge Sockets.
- 14 gauge galvanized - Wheel Panels
- 16 gauge galvanized - Front bulkhead **Ship Loose**
- 18 gauge galvanized - Shelving & dividers.

Body Floor and Understructure:

- Cut out in bed area floor for customer supplied aerial/digger
- 12 gauge hot rolled treadplate **with a minimum of 1" bend on each side pack** - Floor
- 3" Structural Frame

Subframe Installation:

- **Install customer supplied subframe**, with outriggers attached, to body (include tie down kit if necessary).
Subframe is to be Bolted to Body (Test Fitted) Do Not Weld to Sub Frame
 - Subframe and O/R's will be wet painted Black
- Grounding Bracket to be welded to Subframe at rear of truck and body
- Provide "Bolt In" style Filler Plate between Rear Jacks

Accessories:

- Stainless Steel automotive rotary type door latches.
 - Stud mounted latches have hidden fasteners inside the door.
 - Striker installed in door frame for maximum opening.
 - Stud mounted automotive style latches have interior plastic latch covers.
- Chain stops on all doors.
 - **Horizontal doors to drop down to 45 degrees**
- Rubber rolled crown type fenders. (Installed with wheel cut-outs)
- Automotive Bulb Type Weatherstripping - **Shipped Loose**
- Master door lock, hook and loop system on each door
 - with two (2) spring loaded door handles in the unlocked position.
- Install Three (3) Lateral Unistrut on the Top of CS Packs (Center of Horizontal Rearward)

Paint:

- Finish Paint Yellow N3258EA.

Streetside Compartmentation

1st Vertical:

30" Wide x 46" High x 18" Deep

- Five (5) 3/8" round stock fixed material hooks 1-3-1 on an adjustable rail
- Outrigger cut outs with covers in this compartment

2nd Vertical:

30" Wide x 46" High x 18" Deep

- Two (2) adjustable shelves each with Five (5) adjustable dividers

3rd Vertical:

30" Wide x 46" High x 18" Deep

- Two (2) adjustable shelves each with Five (5) adjustable dividers

Horizontal Compartment:

54" Wide x 24" High x 18" Deep

- Eight (8) adjustable dividers installed on compartment bottom

Rear Vertical:

24" Wide x 46" High x 18" Deep

- Five (5) 3/8" round stock fixed material hooks 1-3-1 on an adjustable rail
- Outrigger cut outs with covers in this compartment

Hot stick Shelf:

168 Inch long shelf installed on the Streetside
with a rear dropdown access door.

- Stainless Steel automotive rotary type door latches
- Automotive Bulb Type Weatherstripping - **Shipped Loose**

Curbside Compartmentation

1st Vertical:

30" Wide x 46" High x 18" Deep

- Five (5) 3/8" round stock fixed material hooks 1-3-1 on an adjustable rail
- Outrigger cut outs with covers in this compartment

Grip strut access steps to bed area with

12 gauge galvanized risers and side kickplates.

3rd Vertical:

30" Wide x 46" High x 18" Deep

- Two (2) adjustable shelves each with Five (5) adjustable dividers

Horizontal Compartment:

54" Wide x 24" High x 18" Deep

- One (1) adjustable shelf with Eight (8) adjustable dividers

Rear Vertical:

24" Wide x 46" High x 18" Deep

- Five (5) 3/8" round stock fixed material hooks 1-3-1 on an adjustable rail
- Outrigger cut outs with covers in this compartment

Tail shelf:

- 12 Ga. treadplate tail shelf 30 inches long X 94 inches wide x 6 inches high.
6 Inch structural steel channel full frame.

Tail shelf Rear Lighting:

- 94" Wide **7-Lamp** light bar installed at rear of tail shelf NO LIGHTS
 - **To be built per Terex 99059 design**
 - **Holes for valve mounting brackets will be added to tail shelf/light bar.**

Wheel Chock Storage:

- Two (2) built into body fender panel on Streetside and curbside.
 - **To be built per P#102170 and installed 1/2" forward and rear of cutout**

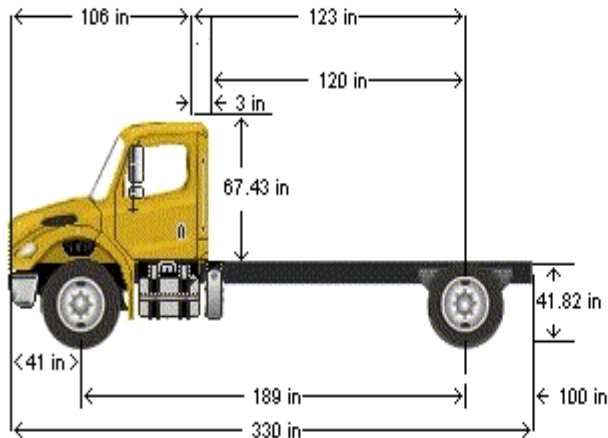
Stringer style body mounting includes the following:

- Dakota to provide lower and upper boom rest sections
- Lower Section to be welded to Front Jack Assembly
- Upper section to be test fit into lower section prior to shipment.
- Dakota to provide box bolts to Terex with body to secure upper section to lower section.
- Terex to match drill upper section holes.
- Welding on DB supplied Body Mounting Angles

Prepared for:
 Ryan Kloos
 Terex Utilities
 500 Oakwood Rd
 Watertown, SD 57201
 Phone: 605-882-4000

Prepared by:
 Sam Long
 FOUR STAR OF MONTGOMERY
 3140 HAYNEVILLE ROAD
 MONTGOMERY, AL 36108
 Phone: 334-263-1085

D I M E N S I O N S



VEHICLE SPECIFICATIONS SUMMARY - DIMENSIONS

Model	M2106
Wheelbase (545)	4800MM (189 INCH) WHEELBASE
Rear Frame Overhang (552)	2550MM (100 INCH) REAR FRAME OVERHANG
Fifth Wheel (578)	NO FIFTH WHEEL
Mounting Location (577)	NO FIFTH WHEEL LOCATION
Maximum Forward Position (in)	0
Maximum Rearward Position (in)	0
Amount of Slide Travel (in)	0
Slide Increment (in)	0
Desired Slide Position (in)	0.0
Cab Size (829)	106 INCH BBC FLAT ROOF ALUMINUM CONVENTIONAL CAB
Sleeper (682)	NO SLEEPER BOX/SLEEPERCAB
Exhaust System (016)	RH INBOARD FRAME MOUNTED HORIZONTAL AFTERTREATMENT SYSTEM ASSEMBLY WITH HORIZONTAL TAILPIPE

Prepared for:
 Ryan Kloos
 Terex Utilities
 500 Oakwood Rd
 Watertown, SD 57201
 Phone: 605-882-4000

Prepared by:
 Sam Long
 FOUR STAR OF MONTGOMERY
 3140 HAYNEVILLE ROAD
 MONTGOMERY, AL 36108
 Phone: 334-263-1085

TABLE SUMMARY - DIMENSIONS

Dimensions	Inches
Bumper to Back of Cab (BBC)	106.3
Bumper to Centerline of Front Axle (BA)	40.7
Min. Cab to Body Clearance (CB)	3.0
Back of Cab to Centerline of Rear Axle(s) (CA)	123.4
Effective Back of Cab to Centerline of Rear Axle(s) (Effective CA)	120.4
Back of Cab Protrusions (Exhaust/Intake) (CP)	0.0
Back of Cab Protrusions (Side Extenders/Trim Tab) (CP)	0.0
Back of Cab Protrusions (CNG Tank)	0.0
Back of Cab Clearance (CL)	3.0
Back of Cab to End of Frame	223.4
Cab Height (CH)	67.4
Wheelbase (WB)	189.0
Frame Overhang (OH)	100.0
Overall Length (OAL)	329.7
Rear Axle Spacing	0.0
Unladen Frame Height at Centerline of Rear Axle	41.8

Performance calculations are estimates only. If performance calculations are critical, please contact Customer Application Engineering.

Prepared for:
 Ryan Kloos
 Terex Utilities
 500 Oakwood Rd
 Watertown, SD 57201
 Phone: 605-882-4000

Prepared by:
 Sam Long
 FOUR STAR OF MONTGOMERY
 3140 HAYNEVILLE ROAD
 MONTGOMERY, AL 36108
 Phone: 334-263-1085

S P E C I F I C A T I O N P R O P O S A L

Data Code	Description	Weight Front	Weight Rear
Price Level			
PRL-15M	M2 PRL-15M (EFF:10/25/16)		
Data Version			
DRL-014	SPECPRO21 DATA RELEASE VER 014		
Vehicle Configuration			
001-172	M2 106 CONVENTIONAL CHASSIS	5,759	3,503
004-218	2018 MODEL YEAR SPECIFIED		
002-004	SET BACK AXLE - TRUCK		
019-002	STRAIGHT TRUCK PROVISION		
003-001	LH PRIMARY STEERING LOCATION		
General Service			
AA1-002	TRUCK CONFIGURATION		
AA6-001	DOMICILED, USA 50 STATES (INCLUDING CALIFORNIA AND CARB OPT-IN STATES)		
A85-010	UTILITY/REPAIR/MAINTENANCE SERVICE		
A84-1UT	UTILITY BUSINESS SEGMENT		
AA4-011	FIXED LOAD COMMODITY		
AA5-006	TERRAIN/DUTY: 10% (SOME) OF THE TIME, IN TRANSIT, IS SPENT ON NON-PAVED ROADS		
AB1-008	MAXIMUM 8% EXPECTED GRADE		
AB5-003	MAINTAINED GRAVEL OR CRUSHED ROCK - MOST SEVERE IN-TRANSIT (BETWEEN SITES) ROAD SURFACE		
995-091	MEDIUM TRUCK WARRANTY		
A66-99D	EXPECTED FRONT AXLE(S) LOAD : 13220.0 lbs		
A68-99D	EXPECTED REAR DRIVE AXLE(S) LOAD : 23000.0 lbs		
A63-99D	EXPECTED GROSS VEHICLE WEIGHT CAPACITY : 36220.0 lbs		
Truck Service			

Prepared for:
 Ryan Kloos
 Terex Utilities
 500 Oakwood Rd
 Watertown, SD 57201
 Phone: 605-882-4000

Prepared by:
 Sam Long
 FOUR STAR OF MONTGOMERY
 3140 HAYNEVILLE ROAD
 MONTGOMERY, AL 36108
 Phone: 334-263-1085

Data Code	Description	Weight Front	Weight Rear
AA3-006	UTILITY BODY		
AF7-99D	EXPECTED BODY/PAYLOAD CG HEIGHT ABOVE FRAME "XX" INCHES : 32.0 in		

Engine

101-22P	CUM L9 300 HP @ 2000 RPM, 2200 GOV RPM, 860 LB/FT @ 1300 RPM	640	30
---------	--	-----	----

Electronic Parameters

79A-075	75 MPH ROAD SPEED LIMIT		
79B-000	CRUISE CONTROL SPEED LIMIT SAME AS ROAD SPEED LIMIT		
79K-005	PTO MODE ENGINE RPM LIMIT - 900 RPM		
79M-001	PTO MODE BRAKE OVERRIDE - SERVICE BRAKE APPLIED		
79P-002	PTO RPM WITH CRUISE SET SWITCH - 700 RPM		
79Q-002	PTO RPM WITH CRUISE RESUME SWITCH - 700 RPM		
79S-001	PTO MODE CANCEL VEHICLE SPEED - 5 MPH		
79U-007	PTO GOVERNOR RAMP RATE - 250 RPM PER SECOND		
79W-001	ONE REMOTE PTO SPEED		
79X-001	REMOTE PTO SPEED 1 SETTING - 700 RPM		
80G-002	PTO MINIMUM RPM - 700		
80J-001	REGEN INHIBIT SPEED THRESHOLD - 0 MPH		

Engine Equipment

99C-017	2016 ONBOARD DIAGNOSTICS/2010 EPA/CARB/FINAL GHG17 CONFIGURATION		
99D-011	2008 CARB EMISSION CERTIFICATION - CLEAN IDLE (INCLUDES 6X4 INCH LABEL ON LOWER FORWARD CORNER OF DRIVER DOOR)		
13E-001	STANDARD OIL PAN		
105-001	ENGINE MOUNTED OIL CHECK AND FILL		
133-004	ONE PIECE VALVE COVER		
014-099	SIDE OF HOOD AIR INTAKE WITH FIREWALL MOUNTED DONALDSON AIR CLEANER		
124-1D7	DR 12V 160 AMP 28-SI QUADRAMOUNT PAD ALTERNATOR WITH REMOTE BATTERY VOLT SENSE		
292-098	(2) ALLIANCE MODEL 1231, GROUP 31, 12 VOLT MAINTENANCE FREE 2250 CCA THREADED STUD BATTERIES		
290-017	BATTERY BOX FRAME MOUNTED		
281-001	STANDARD BATTERY JUMPERS		

Prepared for:
 Ryan Kloos
 Terex Utilities
 500 Oakwood Rd
 Watertown, SD 57201
 Phone: 605-882-4000

Prepared by:
 Sam Long
 FOUR STAR OF MONTGOMERY
 3140 HAYNEVILLE ROAD
 MONTGOMERY, AL 36108
 Phone: 334-263-1085

Data Code	Description	Weight Front	Weight Rear
282-001	SINGLE BATTERY BOX FRAME MOUNTED LH SIDE UNDER CAB		
291-017	WIRE GROUND RETURN FOR BATTERY CABLES WITH ADDITIONAL FRAME GROUND RETURN		
289-001	NON-POLISHED BATTERY BOX COVER		
293-058	POSITIVE LOAD DISCONNECT WITH CAB MOUNTED CONTROL SWITCH MOUNTED OUTBOARD DRIVER SEAT	8	
295-029	POSITIVE AND NEGATIVE POSTS FOR JUMPSTART LOCATED ON FRAME NEXT TO STARTER	2	
107-032	CUMMINS TURBOCHARGED 18.7 CFM AIR COMPRESSOR WITH INTERNAL SAFETY VALVE		
108-002	STANDARD MECHANICAL AIR COMPRESSOR GOVERNOR		
131-013	AIR COMPRESSOR DISCHARGE LINE		
152-041	ELECTRONIC ENGINE INTEGRAL SHUTDOWN PROTECTION SYSTEM		
128-076	CUMMINS EXHAUST BRAKE INTEGRAL WITH VARIABLE GEOMETRY TURBO WITH ON/OFF DASH SWITCH	20	
016-101	RH INBOARD FRAME MOUNTED HORIZONTAL AFTERTREATMENT SYSTEM ASSEMBLY WITH HORIZONTAL TAILPIPE	-50	-50
28F-007	ENGINE AFTERTREATMENT DEVICE, AUTOMATIC OVER THE ROAD ACTIVE REGENERATION AND DASH MOUNTED SINGLE REGENERATION REQUEST/INHIBIT SWITCH		
239-001	STANDARD EXHAUST SYSTEM LENGTH		
237-052	RH STANDARD HORIZONTAL TAILPIPE		
23U-001	6 GALLON DIESEL EXHAUST FLUID TANK		
30N-003	100 PERCENT DIESEL EXHAUST FLUID FILL		
43X-002	LH MEDIUM DUTY STANDARD DIESEL EXHAUST FLUID TANK LOCATION		
23Y-001	STANDARD DIESEL EXHAUST FLUID PUMP MOUNTING		
43Y-001	STANDARD DIESEL EXHAUST FLUID TANK CAP		
273-018	HORTON DRIVEMASTER ADVANTAGE ON/OFF FAN DRIVE		
276-001	AUTOMATIC FAN CONTROL WITHOUT DASH SWITCH, NON ENGINE MOUNTED		
110-003	CUMMINS SPIN ON FUEL FILTER		
118-008	COMBINATION FULL FLOW/BYPASS OIL FILTER		
266-013	1100 SQUARE INCH ALUMINUM RADIATOR	20	

Prepared for:
 Ryan Kloos
 Terex Utilities
 500 Oakwood Rd
 Watertown, SD 57201
 Phone: 605-882-4000

Prepared by:
 Sam Long
 FOUR STAR OF MONTGOMERY
 3140 HAYNEVILLE ROAD
 MONTGOMERY, AL 36108
 Phone: 334-263-1085

Data Code	Description	Weight Front	Weight Rear
103-039	ANTIFREEZE TO -34F, OAT (NITRITE AND SILICATE FREE) EXTENDED LIFE COOLANT		
171-007	GATES BLUE STRIPE COOLANT HOSES OR EQUIVALENT		
172-001	CONSTANT TENSION HOSE CLAMPS FOR COOLANT HOSES		
270-016	RADIATOR DRAIN VALVE		
168-002	LOWER RADIATOR GUARD		
138-011	PHILLIPS-TEMRO 1000 WATT/115 VOLT BLOCK HEATER	4	
140-053	BLACK PLASTIC ENGINE HEATER RECEPTACLE MOUNTED UNDER LH DOOR		
134-001	ALUMINUM FLYWHEEL HOUSING		
132-004	ELECTRIC GRID AIR INTAKE WARMER		
155-058	DELCO 12V 38MT HD STARTER WITH INTEGRATED MAGNETIC SWITCH		

Transmission

342-584	ALLISON 3500 RDS AUTOMATIC TRANSMISSION WITH PTO PROVISION	200	60
---------	--	-----	----

Transmission Equipment

343-339	ALLISON VOCATIONAL PACKAGE 223 - AVAILABLE ON 3000/4000 PRODUCT FAMILIES WITH VOCATIONAL MODELS RDS, HS, MH AND TRV		
84B-012	ALLISON VOCATIONAL RATING FOR ON/OFF HIGHWAY APPLICATIONS AVAILABLE WITH ALL PRODUCT FAMILIES		
84C-023	PRIMARY MODE GEARS, LOWEST GEAR 1, START GEAR 1, HIGHEST GEAR 6, AVAILABLE FOR 3000/4000 PRODUCT FAMILIES ONLY		
84D-023	SECONDARY MODE GEARS, LOWEST GEAR 1, START GEAR 1, HIGHEST GEAR 6, AVAILABLE FOR 3000/4000 PRODUCT FAMILIES ONLY		
84E-000	PRIMARY SHIFT SCHEDULE RECOMMENDED BY DTNA AND ALLISON, THIS DEFINED BY ENGINE AND VOCATIONAL USAGE		
84F-000	SECONDARY SHIFT SCHEDULE RECOMMENDED BY DTNA AND ALLISON, THIS DEFINED BY ENGINE AND VOCATIONAL USAGE		
84G-000	PRIMARY SHIFT SPEED RECOMMENDED BY DTNA AND ALLISON, THIS DEFINED BY ENGINE AND VOCATIONAL USAGE		
84H-000	SECONDARY SHIFT SPEED RECOMMENDED BY DTNA AND ALLISON, THIS DEFINED BY ENGINE AND VOCATIONAL USAGE		

Prepared for:
 Ryan Kloos
 Terex Utilities
 500 Oakwood Rd
 Watertown, SD 57201
 Phone: 605-882-4000

Prepared by:
 Sam Long
 FOUR STAR OF MONTGOMERY
 3140 HAYNEVILLE ROAD
 MONTGOMERY, AL 36108
 Phone: 334-263-1085

Data Code	Description	Weight Front	Weight Rear
84L-000	LOAD BASED SHIFT SCHEDULE AND VEHICLE ACCELERATION CONTROL RECOMMENDED BY DTNA AND ALLISON, THIS DEFINED VOCATIONAL USAGE		
84N-000	NEUTRAL AT STOP - DISABLED, FUELSense - DISABLED		
84U-000	DRIVER SWITCH INPUT - DEFAULT - NO SWITCHES		
353-023	VEHICLE INTERFACE WIRING CONNECTOR WITHOUT BLUNT CUTS, AT END OF FRAME		
34C-001	ELECTRONIC TRANSMISSION CUSTOMER ACCESS CONNECTOR FIREWALL MOUNTED		
362-035	CUSTOMER INSTALLED CHELSEA 277 SERIES PTO		
363-001	PTO MOUNTING, LH SIDE OF MAIN TRANSMISSION		
341-018	MAGNETIC PLUGS, ENGINE DRAIN, TRANSMISSION DRAIN, AXLE(S) FILL AND DRAIN		
345-003	PUSH BUTTON ELECTRONIC SHIFT CONTROL, DASH MOUNTED		
97G-004	TRANSMISSION PROGNOSTICS - ENABLED 2013		
370-015	WATER TO OIL TRANSMISSION COOLER, IN RADIATOR END TANK		
346-013	TRANSMISSION OIL CHECK AND FILL WITH CROSSOVER TO CLEAR LH PTO AND DIRECT MOUNT PUMP		
35T-001	SYNTHETIC TRANSMISSION FLUID (TES-295 COMPLIANT)		

Front Axle and Equipment

400-1A7	DETROIT DA-F-13.3-3 13,300# FF1 71.5 KPI/3.74 DROP SINGLE FRONT AXLE
402-049	MERITOR 16.5X5 Q+ CAST SPIDER CAM FRONT BRAKES, DOUBLE ANCHOR, FABRICATED SHOES
403-002	NON-ASBESTOS FRONT BRAKE LINING
419-023	CONMET CAST IRON FRONT BRAKE DRUMS
409-021	SKF SCOTSEAL PLUS XL FRONT OIL SEALS
408-001	VENTED FRONT HUB CAPS WITH WINDOW, CENTER AND SIDE PLUGS - OIL
416-022	STANDARD SPINDLE NUTS FOR ALL AXLES
405-002	MERITOR AUTOMATIC FRONT SLACK ADJUSTERS
536-050	TRW THP-60 POWER STEERING

Prepared for:
 Ryan Kloos
 Terex Utilities
 500 Oakwood Rd
 Watertown, SD 57201
 Phone: 605-882-4000

Prepared by:
 Sam Long
 FOUR STAR OF MONTGOMERY
 3140 HAYNEVILLE ROAD
 MONTGOMERY, AL 36108
 Phone: 334-263-1085

Data Code	Description	Weight Front	Weight Rear
539-003	POWER STEERING PUMP		
534-015	2 QUART SEE THROUGH POWER STEERING RESERVOIR		
40T-001	ORGANIC SAE 80/90 FRONT AXLE LUBE		
Front Suspension			
620-1D8	13,300# TAPERLEAF FRONT SUSPENSION	75	
619-005	MAINTENANCE FREE RUBBER BUSHINGS - FRONT SUSPENSION		
* 62H-012	FRONT SUSPENSION WITH LEFT HAND AND RIGHT HAND OFFSET SHACKLE BRACKETS		
410-001	FRONT SHOCK ABSORBERS		
Rear Axle and Equipment			
420-051	RS-23-160 23,000# R-SERIES SINGLE REAR AXLE		180
421-538	5.38 REAR AXLE RATIO		
424-001	IRON REAR AXLE CARRIER WITH STANDARD AXLE HOUSING		
386-073	MXL 17T MERITOR EXTENDED LUBE MAIN DRIVELINE WITH HALF ROUND YOKES		
452-001	DRIVER CONTROLLED TRACTION DIFFERENTIAL - SINGLE REAR AXLE		20
878-018	(1) DRIVER CONTROLLED DIFFERENTIAL LOCK REAR VALVE FOR SINGLE DRIVE AXLE		
87B-004	BLINKING LAMP WITH EACH MODE SWITCH, DIFFERENTIAL UNLOCK WITH IGNITION OFF, ACTIVE <5 MPH		
423-020	MERITOR 16.5X7 Q+ CAST SPIDER CAM REAR BRAKES, DOUBLE ANCHOR, FABRICATED SHOES		
433-002	NON-ASBESTOS REAR BRAKE LINING		
434-011	BRAKE CAMS AND CHAMBERS ON FORWARD SIDE OF DRIVE AXLE(S)		
451-023	CONMET CAST IRON REAR BRAKE DRUMS		
440-021	SKF SCOTSEAL PLUS XL REAR OIL SEALS		
426-074	HALDEX GOLDSEAL LONGSTROKE 1-DRIVE AXLE SPRING PARKING CHAMBERS		
428-002	MERITOR AUTOMATIC REAR SLACK ADJUSTERS		
41T-002	SYNTHETIC 75W-90 REAR AXLE LUBE		
Rear Suspension			
622-1MJ	23,000# 52 INCH VARIABLE RATE MULTI-LEAF SPRING REAR SUSPENSION WITH LEAF SPRING HELPER		110

Prepared for:
 Ryan Kloos
 Terex Utilities
 500 Oakwood Rd
 Watertown, SD 57201
 Phone: 605-882-4000

Prepared by:
 Sam Long
 FOUR STAR OF MONTGOMERY
 3140 HAYNEVILLE ROAD
 MONTGOMERY, AL 36108
 Phone: 334-263-1085

Data Code	Description	Weight Front	Weight Rear
621-001	SPRING SUSPENSION - NO AXLE SPACERS		
431-001	STANDARD AXLE SEATS IN AXLE CLAMP GROUP		
Brake System			
018-002	AIR BRAKE PACKAGE		
490-100	WABCO 4S/4M ABS WITHOUT TRACTION CONTROL		
871-001	REINFORCED NYLON, FABRIC BRAID AND WIRE BRAID CHASSIS AIR LINES		
904-001	FIBER BRAID PARKING BRAKE HOSE		
412-001	STANDARD BRAKE SYSTEM VALVES		
46D-002	STANDARD AIR SYSTEM PRESSURE PROTECTION SYSTEM		
413-002	STD U.S. FRONT BRAKE VALVE		
432-003	RELAY VALVE WITH 5-8 PSI CRACK PRESSURE, NO REAR PROPORTIONING VALVE		
480-083	WABCO SS-1200 PLUS AIR DRYER WITH INTEGRAL AIR GOVERNOR AND HEATER		
479-003	AIR DRYER MOUNTED INBOARD ON LH RAIL		
460-048	STEEL AIR BRAKE RESERVOIRS MOUNTED IN CAB ENTRY STEPS WHEN POSSIBLE		
607-001	CLEAR FRAME RAILS FROM BACK OF CAB TO FRONT REAR SUSPENSION BRACKET, BOTH RAILS OUTBOARD		
477-004	PULL CABLES ON ALL AIR RESERVOIR(S)		
Trailer Connections			
296-027	PRIMARY CONNECTOR/RECEPTACLE WIRED FOR COMBINATION STOP/TURN, CENTER PIN POWERED THROUGH IGNITION WITH STOP SIGNAL PREWIRE PACKAGE		
297-001	SAE J560 7-WAY PRIMARY TRAILER CABLE RECEPTACLE MOUNTED END OF FRAME	5	5
335-004	UPGRADED CHASSIS MULTIPLEXING UNIT		
32A-002	UPGRADED BULKHEAD MULTIPLEXING UNIT		
30L-998	NO HIGH CURRENT TRAILER/BODY CABLE		
Wheelbase & Frame			
545-480	4800MM (189 INCH) WHEELBASE		
546-102	7/16X3-9/16X11-1/8 INCH STEEL FRAME (11.11MMX282.6MM/0.437X11.13 INCH) 120KSI	160	280
552-063	2550MM (100 INCH) REAR FRAME OVERHANG		
55W-009	FRAME OVERHANG RANGE: 91 INCH TO 100 INCH	-50	210

Prepared for:
 Ryan Kloos
 Terex Utilities
 500 Oakwood Rd
 Watertown, SD 57201
 Phone: 605-882-4000

Prepared by:
 Sam Long
 FOUR STAR OF MONTGOMERY
 3140 HAYNEVILLE ROAD
 MONTGOMERY, AL 36108
 Phone: 334-263-1085

Data Code	Description	Weight Front	Weight Rear
AC8-99D	CALC'D BACK OF CAB TO REAR SUSP C/L (CA) : 123.45 in		
AE8-99D	CALCULATED EFFECTIVE BACK OF CAB TO REAR SUSPENSION C/L (CA) : 120.45 in		
AE4-99D	CALC'D FRAME LENGTH - OVERALL : 318.39		
AM6-99D	CALC'D SPACE AVAILABLE FOR DECKPLATE : 123.45 in		
FSS-0LH	CALCULATED FRAME SPACE LH SIDE : 126.01 in		
FSS-0RH	CALCULATED FRAME SPACE RH SIDE : 127.99 in		
553-001	SQUARE END OF FRAME		
550-001	FRONT CLOSING CROSSMEMBER		
559-001	STANDARD WEIGHT ENGINE CROSSMEMBER		
562-001	STANDARD MIDSHIP #1 CROSSMEMBER(S)		
572-001	STANDARD REARMOST CROSSMEMBER		
565-001	STANDARD SUSPENSION CROSSMEMBER		
Chassis Equipment			
556-1AP	THREE-PIECE 14 INCH PAINTED STEEL BUMPER WITH COLLAPSIBLE ENDS	30	
558-001	FRONT TOW HOOKS - FRAME MOUNTED	15	
574-001	BUMPER MOUNTING FOR SINGLE LICENSE PLATE		
586-024	FENDER AND FRONT OF HOOD MOUNTED FRONT MUDFLAPS		
551-007	GRADE 8 THREADED HEX HEADED FRAME FASTENERS		
Fuel Tanks			
204-215	50 GALLON/189 LITER SHORT RECTANGULAR ALUMINUM FUEL TANK - LH	20	
218-005	RECTANGULAR FUEL TANK(S)		
215-005	PLAIN ALUMINUM/PAINTED STEEL FUEL/HYDRAULIC TANK(S) WITH PAINTED BANDS		
212-007	FUEL TANK(S) FORWARD		
664-001	PLAIN STEP FINISH		
205-001	FUEL TANK CAP(S)		
122-1J1	DETROIT FUEL/WATER SEPARATOR WITH WATER IN FUEL SENSOR, HAND PRIMER AND 12 VOLT PREHEATER"	-5	
216-020	EQUIFLO INBOARD FUEL SYSTEM		

Prepared for:
 Ryan Kloos
 Terex Utilities
 500 Oakwood Rd
 Watertown, SD 57201
 Phone: 605-882-4000

Prepared by:
 Sam Long
 FOUR STAR OF MONTGOMERY
 3140 HAYNEVILLE ROAD
 MONTGOMERY, AL 36108
 Phone: 334-263-1085

Data Code	Description	Weight Front	Weight Rear
202-016	HIGH TEMPERATURE REINFORCED NYLON FUEL LINE		
Tires			
093-2DU	CONTINENTAL HSC1 11R22.5 16 PLY RADIAL FRONT TIRES	36	
094-2F6	CONTINENTAL HDR2 11R22.5 14 PLY RADIAL REAR TIRES		92
Hubs			
418-056	CONMET PRESET PLUS IRON FRONT HUBS		
450-056	CONMET PRESET PLUS IRON REAR HUBS		
Wheels			
502-717	ACCURIDE 50408 ACCU-LITE 22.5X8.25 10-HUB PILOT 6.16 INSET 2-HAND STEEL DISC FRONT WHEELS		
505-717	ACCURIDE 50408 ACCU-LITE 22.5X8.25 10-HUB PILOT 2-HAND STEEL DISC REAR WHEELS		
496-011	FRONT WHEEL MOUNTING NUTS		
497-011	REAR WHEEL MOUNTING NUTS		
Cab Exterior			
829-071	106 INCH BBC FLAT ROOF ALUMINUM CONVENTIONAL CAB		
650-008	AIR CAB MOUNTING		
678-998	NO GRAB HANDLES		
646-009	PAINTED PLASTIC GRILLE		
65X-001	ARGENT SILVER HOOD MOUNTED AIR INTAKE GRILLE		
644-004	FIBERGLASS HOOD		
727-1AF	SINGLE 14 INCH ROUND HADLEY AIR HORN UNDER LH DECK	4	
726-001	SINGLE ELECTRIC HORN		
728-001	SINGLE HORN SHIELD		
657-001	DOOR LOCKS AND IGNITION SWITCH KEYED THE SAME		
575-001	REAR LICENSE PLATE MOUNT END OF FRAME		
312-043	INTEGRAL HEADLIGHT/MARKER ASSEMBLY		
302-001	(5) AMBER MARKER LIGHTS		
294-090	OMIT STOP/TAIL/BACKUP LIGHTS AND PROVIDE WIRING FOR COMBINED STOP/TURN LIGHTS TO FOUR FEET BEYOND END OF FRAME		-5
300-015	STANDARD FRONT TURN SIGNAL LAMPS		

Prepared for:
 Ryan Kloos
 Terex Utilities
 500 Oakwood Rd
 Watertown, SD 57201
 Phone: 605-882-4000

Prepared by:
 Sam Long
 FOUR STAR OF MONTGOMERY
 3140 HAYNEVILLE ROAD
 MONTGOMERY, AL 36108
 Phone: 334-263-1085

Data Code	Description	Weight Front	Weight Rear
744-1BH	DUAL WEST COAST MOLDED-IN COLOR MIRRORS		
797-001	DOOR MOUNTED MIRRORS		
796-001	102 INCH EQUIPMENT WIDTH		
743-1AP	LH AND RH 8 INCH MOLDED-IN COLOR CONVEX MIRRORS MOUNTED UNDER PRIMARY MIRRORS		
729-001	STANDARD SIDE/REAR REFLECTORS		
768-043	63X14 INCH TINTED REAR WINDOW		
661-003	TINTED DOOR GLASS LH AND RH WITH TINTED NON-OPERATING WING WINDOWS		
654-027	RH AND LH ELECTRIC POWERED WINDOWS, PASSENGER SWITCHES ON DOOR(S)	4	
663-013	TINTED WINDSHIELD		
659-019	2 GALLON WINDSHIELD WASHER RESERVOIR WITHOUT FLUID LEVEL INDICATOR, FRAME MOUNTED		

Cab Interior

707-1AK	OPAL GRAY VINYL INTERIOR		
706-013	MOLDED PLASTIC DOOR PANEL		
708-013	MOLDED PLASTIC DOOR PANEL		
772-006	BLACK MATS WITH SINGLE INSULATION		
785-001	DASH MOUNTED ASH TRAYS AND LIGHTER		
691-008	FORWARD ROOF MOUNTED CONSOLE WITH UPPER STORAGE COMPARTMENTS WITHOUT NETTING		
694-010	IN DASH STORAGE BIN		
742-007	(2) CUP HOLDERS LH AND RH DASH		
680-006	GRAY/CHARCOAL FLAT DASH		
700-002	HEATER, DEFROSTER AND AIR CONDITIONER		
701-001	STANDARD HVAC DUCTING		
703-005	MAIN HVAC CONTROLS WITH RECIRCULATION SWITCH		
170-015	STANDARD HEATER PLUMBING		
130-033	DENSO HEAVY DUTY AIR CONDITIONER COMPRESSOR		
702-002	BINARY CONTROL, R-134A		
739-033	STANDARD INSULATION		
285-013	SOLID-STATE CIRCUIT PROTECTION AND FUSES		
280-007	12V NEGATIVE GROUND ELECTRICAL SYSTEM		

Prepared for:
 Ryan Kloos
 Terex Utilities
 500 Oakwood Rd
 Watertown, SD 57201
 Phone: 605-882-4000

Prepared by:
 Sam Long
 FOUR STAR OF MONTGOMERY
 3140 HAYNEVILLE ROAD
 MONTGOMERY, AL 36108
 Phone: 334-263-1085

Data Code	Description	Weight Front	Weight Rear
324-011	DOMED DOOR ACTIVATED LH AND RH, DUAL READING LIGHTS, FORWARD CAB ROOF		
655-005	LH AND RH ELECTRIC DOOR LOCKS		
284-023	(1) 12 VOLT POWER SUPPLY IN DASH		
756-1J3	BASIC HIGH BACK AIR SUSPENSION DRIVER SEAT WITH MECHANICAL LUMBAR AND INTEGRATED CUSHION EXTENSION	30	
760-1J3	BASIC HIGH BACK AIR SUSPENSION PASSENGER SEAT WITH MECHANICAL LUMBAR AND INTEGRATED CUSHION EXTENSION	25	10
759-005	DUAL DRIVER AND PASSENGER SEAT ARMRESTS	8	
711-004	LH AND RH INTEGRAL DOOR PANEL ARMRESTS		
758-022	BLACK MORDURA CLOTH DRIVER SEAT COVER		
761-023	BLACK MORDURA CLOTH PASSENGER SEAT COVER		
763-102	HIGH VISIBILITY ORANGE SEAT BELTS		
532-002	ADJUSTABLE TILT AND TELESCOPING STEERING COLUMN	10	
540-015	4-SPOKE 18 INCH (450MM) STEERING WHEEL		
765-002	DRIVER AND PASSENGER INTERIOR SUN VISORS		

Instruments & Controls

732-004	GRAY DRIVER INSTRUMENT PANEL
734-004	GRAY CENTER INSTRUMENT PANEL
870-001	BLACK GAUGE BEZELS
486-006	LOW AIR PRESSURE INDICATOR LIGHT AND AUDIBLE ALARM WITH (1) ADDITIONAL PARK SWITCH FOR CUSTOMER USE
840-002	2 INCH PRIMARY AND SECONDARY AIR PRESSURE GAUGES
198-025	INTAKE MOUNTED AIR RESTRICTION INDICATOR WITHOUT GRADUATIONS
149-013	ELECTRONIC CRUISE CONTROL WITH SWITCHES IN LH SWITCH PANEL
156-007	KEY OPERATED IGNITION SWITCH AND INTEGRAL START POSITION; 4 POSITION OFF/RUN/START/ACCESSORY
811-042	ICU3S, 132X48 DISPLAY WITH DIAGNOSTICS, 28 LED WARNING LAMPS AND DATA LINKED
160-038	HEAVY DUTY ONBOARD DIAGNOSTICS INTERFACE CONNECTOR LOCATED BELOW LH DASH
844-001	2 INCH ELECTRIC FUEL GAUGE

Prepared for:
 Ryan Kloos
 Terex Utilities
 500 Oakwood Rd
 Watertown, SD 57201
 Phone: 605-882-4000

Prepared by:
 Sam Long
 FOUR STAR OF MONTGOMERY
 3140 HAYNEVILLE ROAD
 MONTGOMERY, AL 36108
 Phone: 334-263-1085

Data Code	Description	Weight Front	Weight Rear
148-003	PROGRAMMABLE RPM CONTROL - ELECTRONIC ENGINE		
856-001	ELECTRICAL ENGINE COOLANT TEMPERATURE GAUGE		
864-001	2 INCH TRANSMISSION OIL TEMPERATURE GAUGE		
830-017	ENGINE AND TRIP HOUR METERS INTEGRAL WITHIN DRIVER DISPLAY		
372-051	CUSTOMER FURNISHED AND INSTALLED PTO CONTROLS		
73B-998	NO LANE DEPARTURE WARNING SYSTEM		
852-002	ELECTRIC ENGINE OIL PRESSURE GAUGE		
679-001	OVERHEAD INSTRUMENT PANEL		
746-115	AM/FM/WB WORLD TUNER RADIO WITH BLUETOOTH AND USB AND AUXILIARY INPUTS, J1939	10	
747-001	DASH MOUNTED RADIO		
750-002	(2) RADIO SPEAKERS IN CAB		
753-008	AM/FM ANTENNA MOUNTED ON LH SIDE MIRROR		
810-027	ELECTRONIC MPH SPEEDOMETER WITH SECONDARY KPH SCALE, WITHOUT ODOMETER		
817-001	STANDARD VEHICLE SPEED SENSOR		
812-001	ELECTRONIC 3000 RPM TACHOMETER		
8D1-998	NO DIRECT CONNECT		
8Z1-998	NO ZONAR SYSTEMS (SCO)		
162-011	IDLE LIMITER, ELECTRONIC ENGINE		
836-015	DIGITAL VOLTAGE DISPLAY INTEGRAL WITH DRIVER DISPLAY		
660-008	SINGLE ELECTRIC WINDSHIELD WIPER MOTOR WITH DELAY		
304-001	MARKER LIGHT SWITCH INTEGRAL WITH HEADLIGHT SWITCH		
882-009	ONE VALVE PARKING BRAKE SYSTEM WITH WARNING INDICATOR		
299-013	SELF CANCELING TURN SIGNAL SWITCH WITH DIMMER, WASHER/WIPER AND HAZARD IN HANDLE		
298-039	INTEGRAL ELECTRONIC TURN SIGNAL FLASHER WITH HAZARD LAMPS OVERRIDING STOP LAMPS		
869-998	NO MISCELLANEOUS GAUGES		

Design

Prepared for:
 Ryan Kloos
 Terex Utilities
 500 Oakwood Rd
 Watertown, SD 57201
 Phone: 605-882-4000

Prepared by:
 Sam Long
 FOUR STAR OF MONTGOMERY
 3140 HAYNEVILLE ROAD
 MONTGOMERY, AL 36108
 Phone: 334-263-1085

Data Code	Description	Weight Front	Weight Rear
065-000	PAINT: ONE SOLID COLOR		
Color			
980-4H9	CAB COLOR A: N3258EA SEMI YELLOW ELITE SS		
986-020	BLACK, HIGH SOLIDS POLYURETHANE CHASSIS PAINT		
98K-998	NO FUEL TANK CABINET PAINT		
962-972	POWDER WHITE (N0006EA) FRONT WHEELS/RIMS (PKWHT21, TKWHT21, W, TW)		
966-972	POWDER WHITE (N0006EA) REAR WHEELS/RIMS (PKWHT21, TKWHT21, W, TW)		
964-6Z7	BUMPER PAINT: FP24812 ARGENT SILVER DUPONT FLEX		
963-003	STANDARD E COAT/UNDERCOATING		

Certification / Compliance

996-001 U.S. FMVSS CERTIFICATION, EXCEPT SALES CABS AND GLIDER KITS

Sales Programs

RZ1-998 NO TELEMATICS SERVICE CONTRACT

TOTAL VEHICLE SUMMARY

Weight Summary

	Weight Front	Weight Rear	Total Weight
Factory Weight ⁺	6980 lbs	4445 lbs	11425 lbs
Total Weight ⁺	6980 lbs	4445 lbs	11425 lbs

Extended Warranty

WAG-009 TOWING: 6 MONTHS/UNLIMITED MILES/KM EXTENDED TOWING COVERAGE \$550 CAP FEX APPLIES

Prepared for:
Ryan Kloos
Terex Utilities
500 Oakwood Rd
Watertown, SD 57201
Phone: 605-882-4000

Prepared by:
Sam Long
FOUR STAR OF MONTGOMERY
3140 HAYNEVILLE ROAD
MONTGOMERY, AL 36108
Phone: 334-263-1085

(+) Weights shown are estimates only.

If weight is critical, contact Customer Application Engineering.