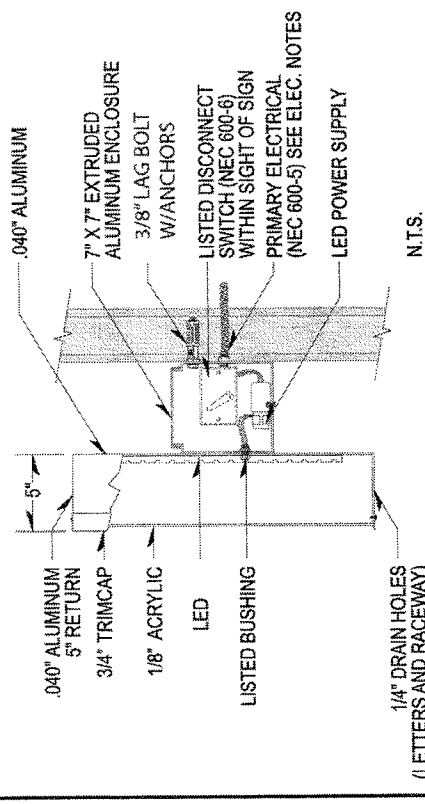


28.64 Sq Ft



LED (US LED)	PNT-3-12-W
COLOR	WHITE
THICKNESS	1/8"
FACE	ALUMINUM
RETURN	5"
RETAINER	3/4"
BACKS	ALUMINUM
RACEWAY	7" X 7" X .063"

POWER SUPPLY	ADVANCE
KICKER MATERIAL	ALUMINUM
SCREWS	#8 X 1/2" PHILLIPS HD.
MOUNTING	TO MATCH TRIMCAP
SWITCH	DISCONNECT/TOGGLE

*FIRST DISCONNECT SWITCH LOCATE ON RACEWAY.
 *2 WEEP HOLES PER LETTER REQUIRED (3/8" DIA.).
 *ALL ELECTRICAL CUTS LOCATED FOR RACEWAY OR REMOTE APPLICATION.
 *CALCULATED.

This is an original unpublished drawing confidentially submitted for your personal use in connection with a project being planned for you by Bendson Signs and Graphics, Inc. It is not to be shown, described to other nor is it to be used reproduced, copied or exhibited in any fashion.

Designer: Date: 11/2-14

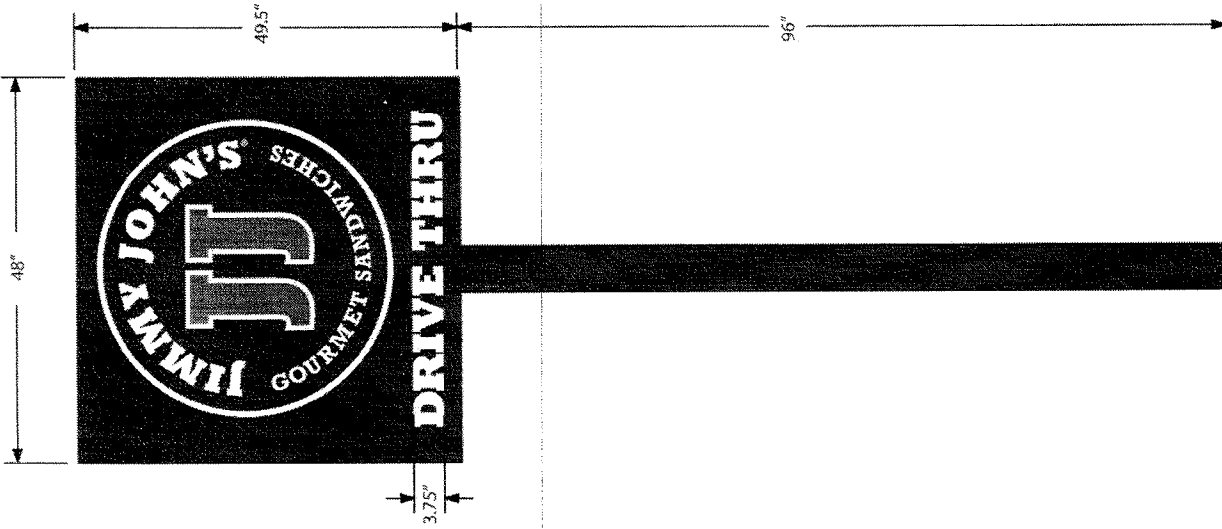
Signs & Graphics, Inc. Sketch No. ANHBR 303a

For: Jimmy John's Gourmet Sandwiches - Ann Harbor, MI
 Quantity: Two (2) sets of internally illuminated channel letters mounted to black raceways
 Vinyl Colors: 3630-22 Black and 3630-83 Regal Red
 Non-Illuminated awning using Sunbrella 4608 Black and 4666 Red material

PH: 217-877-8345
 FAX: 217-877-8347

Signs & Graphics, Inc.

2901 N. Woodford St. Decatur, IL 62526



16.5 sq. ft.

This is an original unpublished drawing confidentially submitted for your personal use in connection with a project being planned for you by Bendsen Signs and Graphics, Inc. It is not to be shown or described to other nor is it to be used reproduced, copied or exhibited in any fashion.



Designer: *[Signature]*
Date: 03/27/14

Signs & Graphics, Inc. Sketch No. ANHER 302A

For: Jimmy John's Gourmet Sandwiches - Ann Arbor, MI

Quantity: One (1) internally illuminated pylon sign

Vinyl Colors: 3630-22 Black and 3630-83 Regal Red

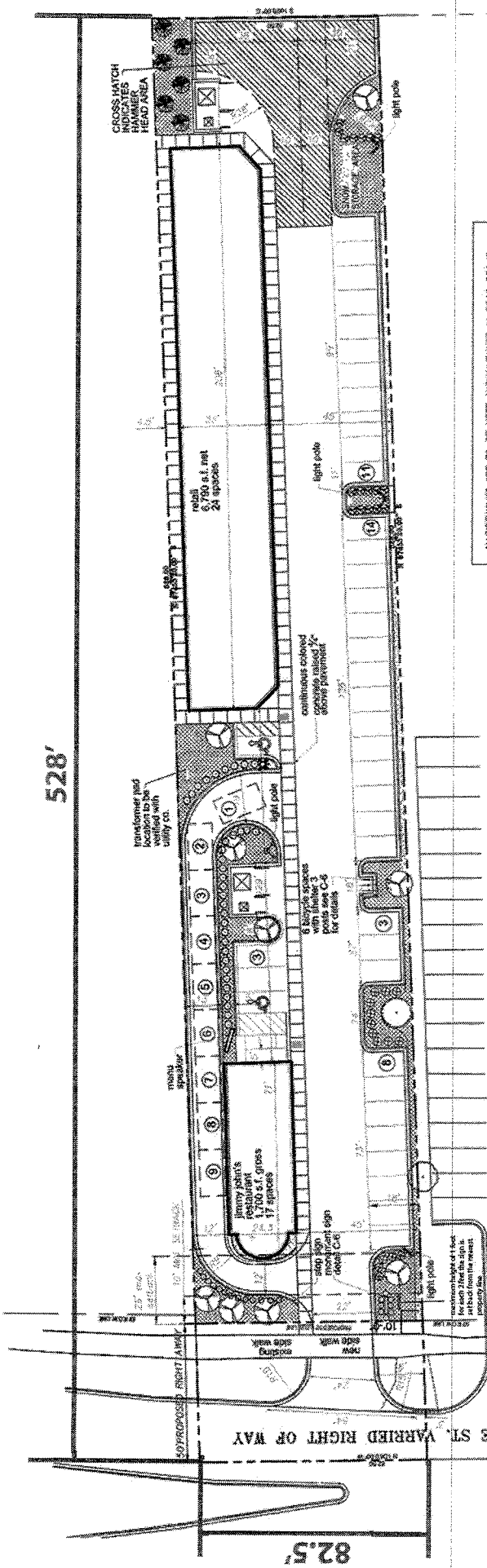
PH: 817-877-2345 (Decatur)
PH: 817-898-1888 (Champaign)
FAX: 817-877-2347



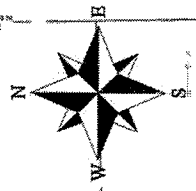
Signs & Graphics, Inc.

2801 N. Woodford St. Decatur, IL 62526
301 N. Neil St., Suite 400 Champaign, IL 61820

528'



ALL SIDEWALKS ARE TO BE KEPT MAINTAINED IN GOOD REPAIR BY THE OWNER OF THE LAND ADJACENT TO ADJUTING THE SAME. PRIOR TO THE ISSUANCE OF THE FIRST CERTIFICATE OF OCCUPANCY FOR THIS SITE, ALL EXISTING SIDEWALKS IN NEED OF REPAIR MUST BE REPAIRED IN ACCORDANCE WITH CITY STANDARDS.



PROPOSED
HORTONS

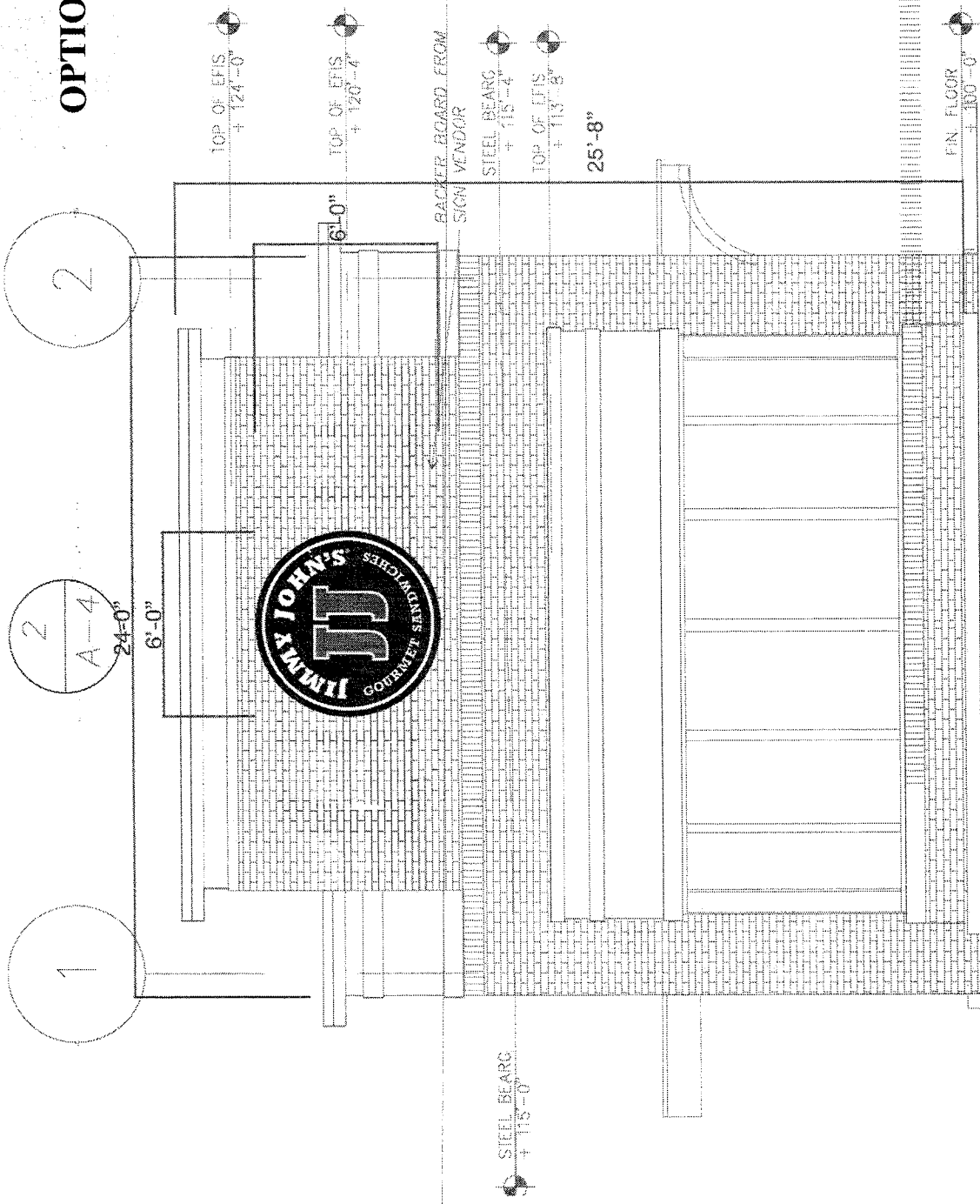
For: **Jimmy John's Gourmet Sandwiches - Ann Arbor, MI**
 Quantity: **One (1) internally illuminated pylon sign**
 Vinyl Colors: **3630-22 Black and 3630-83 Regal Red**

This is an original unpublished drawing confidentially submitted for your personal use in connection with a project being planned for you by Bendsen Signs and Graphics, Inc. It is not to be shown or described to other nor is it to be used reproduced, copied or exhibited in any fashion.
 Designer: [Signature]
 Date: 04/20/15
 Sketch No. ANHR 305

PH: 217-877-2948 (Decatur)
 PH: 217-838-1888 (Champaign)
 FAX: 217-877-2947

Bendsen
 Signs & Graphics, Inc.
 2901 N. Woodford St. Decatur, IL 62526
 301 N. Neil St., Suite 400 Champaign, IL 61820

OPTION C



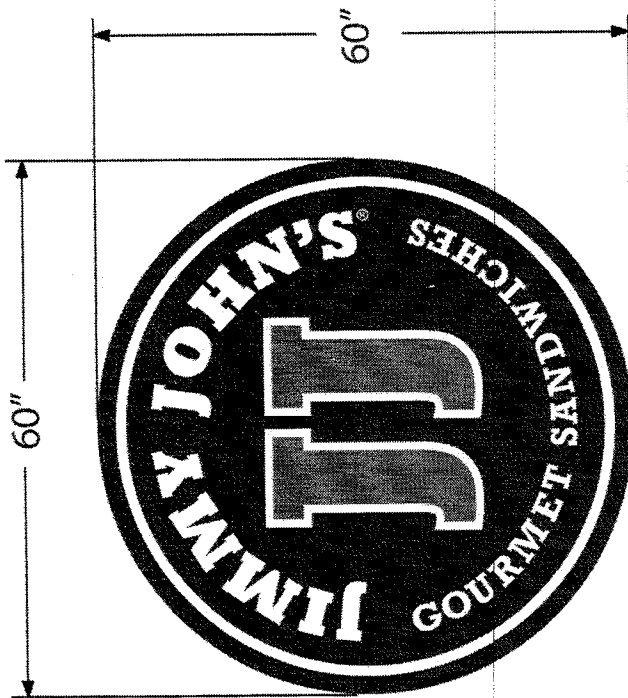
WEST ELEVATION

For: Jimmy John's Gourmet Sandwiches - Ann Harbor, MI
 Quantity: One (1) internally illuminated disc
 Vinyl Colors: 3630-22 Black and 3630-83 Regal Red
 Non-Illuminated awning using Sunbrella 4608 Black and 4666 Red material

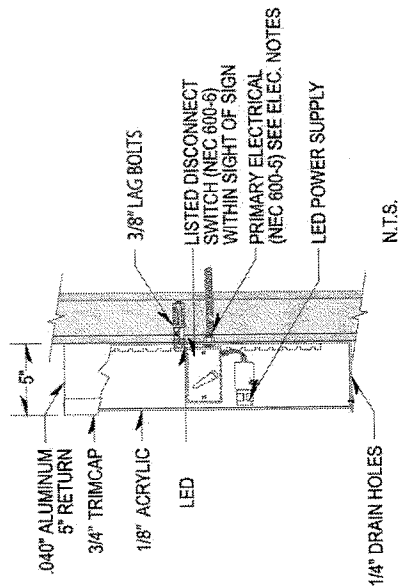
This is an original unpublished drawing confidentially submitted for your personal use in connection with a project being planned for you by Bendson Signs and Graphics, Inc. It is not to be shown or described to other nor is it to be used reproduced, copied or exhibited in any fashion.

Designer: *[Signature]*
 Date: 04/16/13
 Sketch No. ANHBR 306

Bendson
 Signs & Graphics, Inc.
 2901 N. Woodford St. Deatur, IL 62526
 PH: 217-877-2348
 FAX: 217-877-2347



19.6 sq. ft.



LED (US LED)	COLOR	PANT-3-12-W
FACE	THICKNESS	WHITE
	COLOR	RED & BLACK VINYL
RETURN	VINYL	PER STYLE
	DEPTH	5"
RETAINER	COLOR	BLACK PRE-COAT
	GAUGE	.040" X 5.3" COIL
	SIZE	3/4"
BACKS	COLOR	BLACK
	TYPE	TRIM CAP
	MATERIAL	ALUMINUM
	GAUGE	.063"
RACEWAY	SIZE	N/A
	COLOR	N/A
	MOUNTING	N/A

POWER SUPPLY	ADVANCE
KICKER MATERIAL	60 W POWER SUPPLY
SCREWS	ALUMINUM
MOUNTING	TO BE DETERMINED
SWITCH	#8 X 1/2" PHILLIPS HD.
	TO MATCH TRIMCAP
	INTERNAL
	EXTERNAL
	TYPE
	DISCONNECT/TOGGLE

*SPST DISCONNECT SWITCH LOCATE ON RACEWAY.
 *2 WESP HOLES PER LETTER REQUIRED (3/8" DIA.).
 *ALL ELECTRICAL OUTS LOCATED FOR RACEWAY OR REBOTE APPLICATION.
 *CALCULATED.

For: Jimmy John's Gourmet Sandwiches - Ann Harbor, MI
 Quantity: One (1) internally illuminated disc
 Vinyl Colors: 3630-22 Black and 3630-83 Regal Red
 Non-Illuminated awning using Sumbrella 4608 Black and 4666 Red material

PH: 217-877-2348
 FAX: 217-877-2347
Bendisen
 Signs & Graphics, Inc.
 2901 N. Woodford St. Decatur, IL 62526

This is an original unpublished drawing created confidentially submitted for your personal use in connection with a project being planned for you by Bendisen Signs and Graphics, Inc. It is not to be shown or resubmitted to other parties to be used reproduced, copied or exhibited in any fashion.
 Designer: *[Signature]*
 Date: 04/16/15
 Sketch No. ANHR-3066
 Bendisen Signs & Graphics, Inc.