



TEREX®

CUSTOMER ORDER ACKNOWLEDGEMENT

Terex Utilities, Inc. - 200 Eden Way - White House, TN 37188 - Phone: 605-882-4000 - Fax: 605-882-5595

NJPA 042815-TER

Date: **6/2/2017**

Quote Number: QU09148

CITY OF ANN ARBOR
4251 STONE SCHOOL RD
ANN ARBOR, MI 48108

Attention: SCOTT BOWLING

Baseline Price: **\$163,291**
Chassis: **\$73,901**

Grand Total Each: \$237,192

*Plus all applicable taxes and license fees. Chassis payment is due upon chassis receipt at our facility.

Quote is valid for 30 days. Please ensure the accuracy of the specifications and drawings you provide. Changes made after receipt of order may incur additional charges. If you are trading equipment in, you warrant that: You have good title to the trade-in; it is free of all liens and encumbrances; all information you have provided related to the trade-in is true and correct.

Notes:

- 1) Delivery Terms are: FCA, Shipping Point Delivery Prepaid and Included.
- 2) Terms: Net 30 days
- 3) Delivery days from receipt of order shall be 180-240

Buyer hereby submits its offer to purchase the Products in this Quotation, subject to acceptance by Seller. Buyer has read and agrees to all of Seller's attached Terms and Conditions of Sale. Please fax completed form to 605-882-5595 or transmit it to your Account Manager.

Terex Utilities Inc.

JASON ELGER
Sales Coordinator

TROY HALL
Account Manager

Accepted By: _____

PO Number: _____

Quantity: _____

Grand Total: _____

Date: _____



Terex Utilities, Inc.
500 Oakwood Rd, Watertown, SD 57201
Phone: 605-882-4000 Fax: 605-882-1842

06/01/2017

Quote Number: QU09148-07

CITY OF ANN ARBOR
4251 STONE SCHOOL RD
ANN ARBOR, MI 48108
Attention: SCOTT BOWLING

Phone: (517)206-0866

Qty. Description

UNIT

- 1 One (1) new Terex Commander 4045 model hydraulic rotating digger derrick with a turntable winch.

Design Criteria:

- * Design criteria is in accordance with current industry and engineering standards applicable and accepted for structural and hydraulic design.
- * Meets ANSI/ASSE A10.31-2013.

Elevation:

- * From +80 degrees above horizontal to -20 degrees below horizontal.

Dual Lift Cylinders:

- * Double-acting cylinders with chrome plated rods and integral holding valves. Trapezoid mounting design offers greater boom support and stability providing less wear and longer life. Either cylinder can hold the rated lifting capacity of the derrick.

Steel Lower Boom:

- * The boom is a fabricated box utilizing high-strength steel plates.

Steel Intermediate Boom:

- * Fabricated box constructed of high strength steel. Powered by a double acting hydraulic cylinder equipped with integral holding valves on both extend and retract ports.

Fiberglass Hydraulic Upper Boom:

- * Capable of lifting the hydraulic capacity of the derrick in all positions.
- * Tested and rated for line voltage up to and including 46 KV AC.
- * Tapered non-metallic rollers mounted at the end of the intermediate boom support the fiberglass boom under load minimizing scratches and abrasions. The sides of the fiberglass boom are supported and guided by non-metallic rollers to reduce tracking.

Continuous And Unrestricted Rotation:

- * A hydraulic rotary manifold provides a rotating oil distribution system for continuous and unrestricted rotation.

Miscellaneous:

- * Relief valves to protect the derrick circuits and digger-winch circuits.
- * Hydraulic hoses are equipped with permanent type hose fittings.
- * A custom load chart stating actual lifting capacity considering all final options, chassis, body,

Qty. Description

outriggers, and other fixed equipment with capacity based on completed unit stability is included.

* A boom-angle indicator and decal are mounted on each side of the lower boom.

* All metallic components of the complete digger derrick device are prime painted.

* Two complete manuals providing operational and maintenance procedures, and a replacement parts listing.

* Warning decals provided with unit.

Turntable Winch Including Transferrable Pole Buddy Assembly:

* 15,000 lb. bare drum capacity worm gear winch equipped with hydraulic counterbalance valve mounted on the derrick turntable. Equipped with flanged pole buddy transferrable from intermediate boom to upper boom.

Bare Boom Lift Capacities:

* Boom Angle: All Booms Retracted

* Maximum Elevation 27500 lbs.

* 10 Ft. Radius 11500 lbs.

Work Zone Capacities:

Median Digging Radius 18.5 ft.

Digging Capacity at Median Radius 3030 lbs.

Lift Capacity at Median Radius 5148 lbs.

Sheave Height:

* With intermediate boom extended, 36.6 ft. at maximum elevation.

* With upper boom extended, 45.5 ft. at maximum elevation.

* Dimensions are based on a 40" chassis frame height.

Load Radius:

* 26.5 ft. from C/L of rotation, at 0 degree, intermediate boom extended.

* 35.5 ft. from C/L of rotation, at 0 degree, upper boom extended.

1 RH Command Post:

* Glycerin filled pressure gauge is provided to monitor system pressure.

* Permanent type control decals are provided.

* Adjustable cushioned operator seat is provided as standard and includes side rails.

* Hydraulic foot throttle.

* Includes a control and horn.

* Stop/start at control station.

1 Pole Guide For Transferable Pole Buddy with Interlock:

* Hydraulic cylinders equipped with holding valves operate the tilt and open/close on pole guide arms.

* Pole guide hoses are contained in a chain type carrier, installed on the side of the boom.

* Transfers from the end of the intermediate boom to the end of the upper boom and vice versa.

* The pole guide is installed on the transferable pole buddy flange assembly.

* Protects both the pole guide and the boom from accidental damage caused by extending the upper boom while the pole guide is on the intermediate boom and tilted downward. Includes actuating plunger and two poppet valves.

1 Exclusive Single Stick T" Control:

* Control allows one hand to operate three functions: rotation, boom elevation, and intermediate

Qty. Description

boom extension.

* Upper boom extension and other functions have individual controls.

- 1 Planetary slip brake rotation.
- 1 Pole Claw Arms:
 - *Unique circular design of arms that handle poles up to 23 inch diameter.
- 1 14,000 ft-lb Two Speed Digger With Hydraulic Shift (Mark IV):
 - * Planetary gear drive powered by reversible hydraulic motor.
 - * Telescopic trombone tube is provided to shift the two-speed digger hydraulically.
- 1 LH Auger Storage and Digger Hanger:
 - * Digger hanger bracket is box section and is equipped with a transfer protection system, auger stowage bracket with self latching auger catch and hydraulic auger release.
 - * The auger stowage bracket stores up to a 36" diameter auger, in the standard position.
 - * Digger storage protection system to protect the auger storage cable from damage caused by over-winding. Oil from the digger system is returned to tank before the cable is over-stressed
- 1 Nylon 1" flat webbing strap for auger roll-up.
- 1 Solid Hex Auger Shaft with Coupler:
 - * 60" long x 2-5/8" hex auger shaft with auger adjustment holes.

 - ** ALTERED FROM STANDARD **
- 1 One (1) 36 in TXD auger head- QE051217-1
One (1) 36 in BTA auger head- QE051217-2
Auger body- 65357489
One (1) Pisa adapter 7 5/8 in 15 k- 65349084
- 1 Pedestal:
 - * Square constructed pedestal has access holes for maintenance of hydraulic plumbing.
- 1 Boom Stow Interlock In Addition to be used with Standard Boom Interlock:
 - * To operate the outriggers the boom must be in the stowed position and to operate the boom the outriggers must be extended.
- 1 Terex South Dakota, Inc. Pole Puller: (P/N 0467557)
 - * Rated Capacity is 60,000 lbs.
 - * Base plate dimension is 8 in. x 12 in.
 - * 7 feet of steel chain.
- 1 Allied Industrial Technologies MF60-2-4A hydraulic oil cooler with dual fans for derricks.
- 1 Boom storage warning light:
 - * Alerts operator if aerial or digger derrick device(s) is not properly stored.
- 1 Boom Stow Protection For Controls Above Rotation:
 - * Protects against damage from excessive down pressure by cutting off oil supply to the derrick.
 - * Includes a 2 channel electric collector ring.

Qty. Description

- 1 Pump For Use (Required Approximate 120% PTO):
Tandem vane high efficiency 3000 psi rated hydraulic pump providing 40 gallons per minute combined flow.
* Provides 16 gallons per minute to boom functions and 24 gallons per minute to digger/winch functions and combines flow when boom is not in operation providing 40 gallons per minute to digger/winch at 1600 rpm engine speed, boom extension is faster than winch.
* Provides up to 6 gallons per minute for tools at 700 rpm engine speed.
*Includes pump kit.
FOR GENERAL ONLY: With the use of Radio Controls.
- 1 Hydraulic Reservoir:
50 gallon hydraulic oil reservoir includes 10 micron replaceable cartridge type return line filter mounted in reservoir with bypass valve incorporated in filter to prevent restricted flow.
* A 100 mesh in screen in filter cap. A 40 mesh screen included in tank outlet and a 2 1/2" full flow gate type shut off valve.
* Relief valves to protect the derrick circuits and digger-winch circuits.
- 1 Extra Heavy Duty A-Frame Outriggers with swivel type stabilizer pads. (8348)
- 1 Extra Heavy Duty A-Frame Outriggers with swivel type stabilizer pads. (8348)
- 1 Controls For 2-Sets Of Outriggers And Auxiliary Tool Outlets Below Rotation (Diggers):
* Recessed at rear of truck each side for ease of view for outrigger placement.
* Includes switches and alarm for outrigger in motion alarm.
- 1 Adjustable flow divider for auxiliary tool outlets below rotation.
- 1 Outrigger Interlock:
* To operate the boom the outriggers must be extended.
- 1 Subframe constructed with an open center.
- 1 Tie Down Kit.
- 1 Remote Sensor Bracket:
* Bracket to be used with the Williams remote sensor. Installed to supply sensor to work with truck engine.
- 1 Terex Chassis Controller (DTS51) 12 volt:
*Display Screen - Provides Inputs and Outputs indication for trouble shooting.
*Warning screens.
*Switch Buttons have LED indicators to show when active.
*Recommended for all Class 6 and above Chassis types.
*One system for all Chassis Types
*Controller programmable for communication with different Chassis manufacturers.
- 1 Extended derrick / aerial device warranty, two (2) year, in lieu of standard one year warranty for Terex South Dakota, Inc. installed unit.
- 1 Clevis for two part line attachment.

Qty. Description

BODY, INSTALLATION

** BODY INFORMATION **

- 1 ***Steel stringer body per supplied specification.***

- 1 Install Derrick Over Rear Axle And Install All Associated Components:
* Final test and inspect completed unit including stability and dielectric testing per manufacturers requirements and ANSI/ASSE A10.31-2013.
- 1 Hose and fittings to connect the hydraulic system from the oil reservoir to the pump and unit.
- 1 Power take off with indicator light for automatic transmission.
- 1 DOT Inspection.
- 1 Set chassis parameters.
- 1 Back-up alarm to sound when the vehicle is shifted into reverse.
- 4 18" x 18" x 1" poly outrigger pads.
* Includes outrigger pad storage.
- 4 Pendulum style retainer.
- 4 Sauber aluminum wheel chock.
- 1 Wilton #676 - 6" vise.
Install on the tailshelf.

- 1 Vise bracket that fits vertical in a pocket, removable.
- 1 Cone holder bracket, under body type.
Install behind the rear outrigger streetside under the tailshelf and to hold 28 in cones.

- 1 Grab handles as necessary for 3-point contact.
- 2 Cable type gripstrut stirrup step.
- 1 Rigid stirrup step mounted on side access for ground to body access.
- 1 Fixed access step mounted on command post.
- 1 Access step mounted on floor of the body to access the top of body compartment or access platform.

Qty. Description

2 Mud flap with logo 30" tall.
Note: Trim As-Required.

1 Under body mounting kit for a pair of mud flaps.

1 Jib storage bracket.

1 Possum belly to be 10 ft

1 Boom rest.

1 Front pole carrier kit bunk style with a ratchet with 2" wide webbing tie down strap to secure pole and pole bunk arm weldment.

1 Rear pole carrier assembly 20-24" bunk style, removable and bed mount.

1 Digger Derrick dual position boom rest saddle.

1 Peterson LED 7-lamp DOT Lighting Package:
* Complies with FMVSS 108.
* Includes required lights, junction box and wiring harness.
* Note: Back-up lights are incandescent.

1 Lighted license plate bracket kit with incandescent light.

1 Back-up lights are LED that replace incandescent light.

1 12 volt outlet, cigarette electrical style.

Install curbside rear of the body.

2 Amber strobe light (LED) with 4" tall & 6" dia. lens, and branch guard.

Install one (1) curbside and streetside on the boom rest.

1 Whelen 4 corner LED, Amber Strobe Light Kit with 4" grommets.
*Wired into On/Off switch in cab.

Install one (1) curbside and streetside front and rear of the body on the sides.

2 Whelen LED 3.5" White Flash Light. (Pair)
*3 LED Clusters, 10 flash pattern.

Install in the grill.

Qty. Description

- 2 Strobe light mounting bracket.

- 1 Unity 6" round deck mounted LED work light.
Install on the boom rest.

- 1 Tekonsha Voyager electric brake control.

- 1 Remote engine stop/start control from rear of vehicle.

- 1 Remote two-speed control from rear of vehicle.

- 1 BH82000 Combination Pintle Hook And 2" Ball:
* Safety chain eyes.
"Pintle hook brackets and attachment methods are designed to meet the associated pintle hook ratings. They are not designed for recovery purposes. If recovery attachments are required, please order the appropriate tow eyes."

- 1 ICC rear bumper.

- 1 7-prong trailer socket. (RV style)

- 1 Oil tank mounting for external reservoirs.

- 65 Fill with Hydraulic oil for general purpose use.
* Refer to the product maintenance manual for specific type to be used.

- 1 1 1/8" x 90' Samson, 2-IN-1 Stable Braid uncoated rope.

- 1 Nylite spool, shield and shackle, #5, black.

- 1 Gunnebo Johnson 7JH swivel hook.

- 1 Hannay spring loaded hydraulic hose reel with 4-way roller assembly with 50' of 1/2" Hose Set.
* Quick disconnect HTMA male and female flush faced couplers and dust covers.
* Installed on hose reel with ball stop.

- 1 Pole puller storage bracket with tie down strap.

- 1 Safety Kit consists of the following:
* 5-lb ABC fire extinguisher with bracket.
* James King triangle reflector kit.

- 1 Braden PCD24B Hydraulic Capstan Drive:
* 4,000-LB rating.
* Spring applied hydraulically released parking brake.
NOTE: Requires a larger hydraulic tank on the Unit Model, if internal tank will require external tank.

Install on the curbside front of the chassis

Qty. Description

- 1 Capstan mounting box
- 1 Winch control installed at front bumper or rear of truck, single control.
- 1 Paint C4000 derrick one color.
- 1 Paint body floor with non-skid paint.
- 1 Paint compartment top with non-skid paint.
- 1 Paint inside compartment of line body one color up to 156".
- 1 Undercoat body.

CHASSIS

** CHASSIS INFORMATION **

- 1 ***2018 Freightliner M2-106 4x2 per supplied specification.***

SPECIAL CHARGES

- 1 Delivery to Customer.

OPTIONS:

ADD

1. Federal Excise Tax will be added if certificate is not supplied with order.
2. The following items must be considered by the purchaser if not already included:
Back-up Alarm \$150.00; Strobe Light \$525.00; Wheel Chocks \$110.00;
Outrigger Pads \$200.00 to \$650.00 (based on pad size & type); Truck Grounding Cable \$550.00;
Barricade Kit \$895.00; Hydraulic Over Load Protection (derrick only, price will vary
based on final option selection); Boom / Boom Stow Interlock \$700.00; Engine Stop / Start
\$200.00 to \$795.00 (based on unit model); Auxiliary Let Down \$1500.00; and Platform
Liner \$380.00 to \$625.00 (based on platform size).
3. Terex Utilities, Inc. strongly recommends all installation accessories be located up front in
front in the quote or secondarily on the approved engineering drawing. Any accessories located
or relocated during manufacturing may be subject to additional charges.
4. Terex Utilities, Inc. - Assembly in Watertown, South Dakota is ISO 9001:2000 Certified.

Quotation Number Q30960

To: Terex Utilities

Date: 5/15/2017

Attn: Jason Elger

Inside Sales: Bryan Mernaugh

Customer: City of Ann Arbor

Terex Stock Line Body (Stringer Style)

Dakota Bodies Inc. Line Body
168 inches long x 46 inches high x 94 inches wide
Chassis cab to axle (CA) of 120 inches with dual rear wheel axle.

Body Dimensions:

- 46 Inches - Compartment height
- 18 Inches - Compartment depth
- 58 Inches - Load space width
- 30 Inches - Top of body to the top of the floor
- 24 Inches - Horizontal compartment height

Body Materials:

- 16 gauge galvanized. - Main body material
- 13 gauge hot rolled treadplate compartment tops with **DBI style** drip edge.
- 18 gauge galvanized - Inner door panels
- 18 gauge galvanized - Outer door panels
 - 5/16" Stainless Steel continuous rod - Door Hinge Rod.
 - Stainless Steel - Door Hinge Sockets.
- 14 gauge galvanized - Wheel Panels
- 16 gauge galvanized - Front bulkhead (bolt-on)
- 18 gauge galvanized - Shelving & dividers.

Body Floor and Understructure:

- Cut out in bed area floor for customer supplied aerial/digger
- 12 gauge hot rolled treadplate **with a minimum of 1" bend on each side pack** - Floor
- 3" Structural Frame

Subframe Installation:

- **Install customer supplied subframe**, with outriggers attached, to body (include tie down kit if necessary).
Subframe is to be Bolted to Body (Test Fitted) Do Not Weld to Sub Frame
 - Subframe and O/R's will be wet painted Black
- Grounding Bracket to be welded to Subframe at rear of truck and body
- Provide "Bolt In" style Filler Plate between Rear Jacks
- Round cutout needed on top and bottom plate of subframe

Accessories:

- Stainless Steel automotive rotary type door latches.
 - Stud mounted latches have hidden fasteners inside the door.
 - Striker installed in door frame for maximum opening.
 - Stud mounted automotive style latches have interior plastic latch covers.
- Chain stops on all doors.
 - **Horizontal doors to drop down to 45 degrees**
- Rubber rolled crown type fenders. (Installed with wheel cut-outs)
- Automotive Bulb Type Weatherstripping - **Shipped Loose**
- Master door lock, hook and loop system on each door
 - with two (2) spring loaded door handles in the unlocked position.
- Install Three (3) Lateral Unistrut on the Top of CS Packs (Center of Horizontal Rearward)
- Install two (2) 12" pieces of unistrut to rear of bed floor (centered).

Paint:

- Finish Paint White

Streetside Compartmentation**1st Vertical:**

30" Wide x 46" High x 18" Deep

- Five (5) 3/8" round stock fixed material hooks 1-3-1 on an adjustable rail
- Outrigger Cutouts with Covers in this Compartment

2nd Vertical:

30" Wide x 46" High x 18" Deep

- Two (2) adjustable shelves each with Five (5) adjustable dividers

3rd Vertical:

30" Wide x 46" High x 18" Deep

- Two (2) adjustable shelves each with Five (5) adjustable dividers

Horizontal Compartment:

54" Wide x 24" High x 18" Deep

- Eight (8) adjustable dividers installed on compartment bottom

Rear Vertical:

24" Wide x 46" High x 18" Deep

- Five (5) 3/8" round stock fixed material hooks 1-3-1 on an adjustable rail
- Outrigger Cutouts with Covers in this Compartment

Hot stick Shelf:

168 Inch long shelf installed on the Streetside
with a rear dropdown access door.

- Stainless Steel automotive rotary type door latches
- Automotive Bulb Type Weatherstripping - **Shipped Loose**

Curbside Compartmentation

1st Vertical:

30" Wide x 46" High x 18" Deep

- Five (5) 3/8" round stock fixed material hooks 1-3-1 on an adjustable rail
- Outrigger Cutouts with Covers in this Compartment

Curb Side Access 30" Wide

Hinged Gripstrut access steps to bed area with battery storage below

- **To have a 5/8" gap from the treadplate on each side**
- **Maintain 12" of clearance from storage bottom to bottom of 1st step**
- One (1) Small Stainless Steel slam style paddle latch.
- Two (2) Gas assist door openers.
- **Back to be removable and bolt on with Two (2) vents - One at top and one at bottom centered**
- 12 gauge galvaneal risers and side kickplates.
- Two (2) steel weld on Grab handles installed at the side access of the body.

3rd Vertical:

30" Wide x 46" High x 18" Deep

- Two (2) adjustable shelves each with Five (5) adjustable dividers

Horizontal Compartment:

54" Wide x 24" High x 18" Deep

- One (1) adjustable shelf with Eight (8) adjustable dividers

Rear Vertical:

24" Wide x 46" High x 18" Deep

- Five (5) 3/8" round stock fixed material hooks 1-3-1 on an adjustable rail
- Outrigger Cutouts with Covers in this Compartment

Tailshelf:

- 12 Ga. treadplate tail shelf 24 inches long X 94 inches wide x 6 inches high.
3" Structural Channel Frame

Tailshelf Rear Lighting:

- 94" Wide **7-Lamp** light bar installed at rear of tail shelf **NO LIGHTS**
 - **To be built per Terex 99059 design**
 - **Holes for valve mounting brackets will be added to tail shelf/light bar.**

Wheel Chock Storage:

- Two (2) built into body fender panel on Streetside and curbside.
 - **To be built per P#102170 and installed 1/2" forward and rear of cutout**

Bed Area Step:

- Bed area step bolted on to 1/2" tapped flats (curbside)

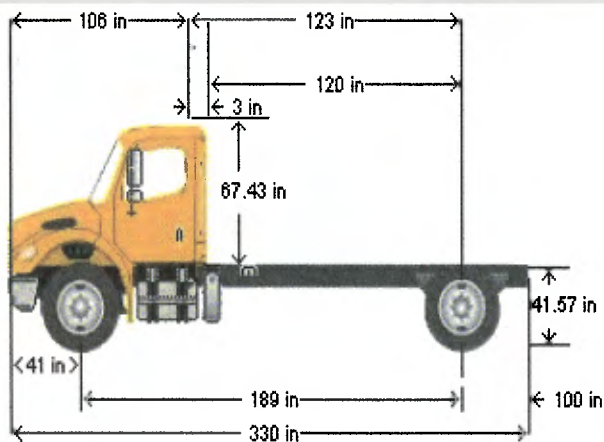
Stringer style body mounting includes the following:

- Dakota to provide lower and upper boom rest sections
- Lower Section to be welded to Front Jack Assembly
- Upper section to be test fit into lower section prior to shipment.
- Dakota to provide box bolts to Terex with body to secure upper section to lower section.
- Terex to match drill upper section holes.
- Welding on DB supplied Body Mounting Angles

Prepared for:
 Ryan Kloos
 Terex Utilities
 500 Oakwood Rd
 Watertown, SD 57201
 Phone: 605-882-4000

Prepared by:
 Sam Long
 FOUR STAR OF MONTGOMERY
 3140 HAYNEVILLE ROAD
 MONTGOMERY, AL 36108
 Phone: 334-263-1085

D I M E N S I O N S



VEHICLE SPECIFICATIONS SUMMARY - DIMENSIONS

Model	M2106
Wheelbase (545)	4800MM (189 INCH) WHEELBASE
Rear Frame Overhang (552)	2550MM (100 INCH) REAR FRAME OVERHANG
Fifth Wheel (578)	NO FIFTH WHEEL
Mounting Location (577)	NO FIFTH WHEEL LOCATION
Maximum Forward Position (in)	0
Maximum Rearward Position (in)	0
Amount of Slide Travel (in)	0
Slide Increment (in)	0
Desired Slide Position (in)	0.0
Cab Size (829)	106 INCH BBC FLAT ROOF ALUMINUM CONVENTIONAL CAB
Sleeper (682)	NO SLEEPER BOX/SLEEPER CAB
Exhaust System (016)	RH INBOARD FRAME MOUNTED HORIZONTAL AFTERTREATMENT SYSTEM ASSEMBLY WITH HORIZONTAL TAILPIPE

Prepared for:
 Ryan Kloos
 Terex Utilities
 500 Oakwood Rd
 Watertown, SD 57201
 Phone: 605-882-4000

Prepared by:
 Sam Long
 FOUR STAR OF MONTGOMERY
 3140 HAYNEVILLE ROAD
 MONTGOMERY, AL 36108
 Phone: 334-263-1085

TABLE SUMMARY - DIMENSIONS

Dimensions	Inches
Bumper to Back of Cab (BBC)	106.3
Bumper to Centerline of Front Axle (BA)	40.7
Min. Cab to Body Clearance (CB)	3.0
Back of Cab to Centerline of Rear Axle(s) (CA)	123.4
Effective Back of Cab to Centerline of Rear Axle(s) (Effective CA)	120.4
Back of Cab Protrusions (Exhaust/Intake) (CP)	0.0
Back of Cab Protrusions (Side Extenders/Trim Tab) (CP)	0.0
Back of Cab Protrusions (CNG Tank)	0.0
Back of Cab Clearance (CL)	3.0
Back of Cab to End of Frame	223.4
Cab Height (CH)	67.4
Wheelbase (WB)	189.0
Frame Overhang (OH)	100.0
Overall Length (OAL)	329.7
Rear Axle Spacing	0.0
Unladen Frame Height at Centerline of Rear Axle	41.6

Performance calculations are estimates only. If performance calculations are critical, please contact Customer Application Engineering.

Prepared for:
 Ryan Kloos
 Terex Utilities
 500 Oakwood Rd
 Watertown, SD 57201
 Phone: 605-882-4000

Prepared by:
 Sam Long
 FOUR STAR OF MONTGOMERY
 3140 HAYNEVILLE ROAD
 MONTGOMERY, AL 36108
 Phone: 334-263-1085

S P E C I F I C A T I O N P R O P O S A L

Data Code	Description	Weight Front	Weight Rear
Price Level			
PRL-15M	M2 PRL-15M (EFF:10/25/16)		
Data Version			
DRL-003	SPECPRO21 DATA RELEASE VER 003		
Interior Convenience/Driver Retention Package			
055-998	NO INTERIOR CONVENIENCE PACKAGE		
Vehicle Configuration			
001-172	M2 106 CONVENTIONAL CHASSIS	5,759	3,503
004-218	2018 MODEL YEAR SPECIFIED		
002-004	SET BACK AXLE - TRUCK		
019-002	STRAIGHT TRUCK PROVISION		
003-001	LH PRIMARY STEERING LOCATION		
General Service			
AA1-002	TRUCK CONFIGURATION		
AA6-001	DOMICILED, USA 50 STATES (INCLUDING CALIFORNIA AND CARB OPT-IN STATES)		
A85-010	UTILITY/REPAIR/MAINTENANCE SERVICE		
A84-1UT	UTILITY BUSINESS SEGMENT		
AA4-011	FIXED LOAD COMMODITY		
AA5-006	TERRAIN/DUTY: 10% (SOME) OF THE TIME, IN TRANSIT, IS SPENT ON NON-PAVED ROADS		
AB1-008	MAXIMUM 8% EXPECTED GRADE		
AB5-003	MAINTAINED GRAVEL OR CRUSHED ROCK - MOST SEVERE IN-TRANSIT (BETWEEN SITES) ROAD SURFACE		
995-091	MEDIUM TRUCK WARRANTY		
A66-99D	EXPECTED FRONT AXLE(S) LOAD : 13220.0 lbs		
A68-99D	EXPECTED REAR DRIVE AXLE(S) LOAD : 23000.0 lbs		

Prepared for:
 Ryan Kloos
 Terex Utilities
 500 Oakwood Rd
 Watertown, SD 57201
 Phone: 605-882-4000

Prepared by:
 Sam Long
 FOUR STAR OF MONTGOMERY
 3140 HAYNEVILLE ROAD
 MONTGOMERY, AL 36108
 Phone: 334-263-1085

Data Code	Description	Weight Front	Weight Rear
A63-99D	EXPECTED GROSS VEHICLE WEIGHT CAPACITY : 36220.0 lbs		
Truck Service			
AA3-006	UTILITY BODY		
AF7-99D	EXPECTED BODY/PAYLOAD CG HEIGHT ABOVE FRAME "XX" INCHES : 32.0 in		
Engine			
101-22R	CUM L9 330 HP @ 2000 RPM, 2200 GOV RPM, 1000 LB/FT @ 1400 RPM	640	30
Electronic Parameters			
79A-075	75 MPH ROAD SPEED LIMIT		
79B-000	CRUISE CONTROL SPEED LIMIT SAME AS ROAD SPEED LIMIT		
79K-005	PTO MODE ENGINE RPM LIMIT - 900 RPM		
79M-001	PTO MODE BRAKE OVERRIDE - SERVICE BRAKE APPLIED		
79P-002	PTO RPM WITH CRUISE SET SWITCH - 700 RPM		
79Q-002	PTO RPM WITH CRUISE RESUME SWITCH - 700 RPM		
79S-001	PTO MODE CANCEL VEHICLE SPEED - 5 MPH		
79U-007	PTO GOVERNOR RAMP RATE - 250 RPM PER SECOND		
79W-001	ONE REMOTE PTO SPEED		
79X-001	REMOTE PTO SPEED 1 SETTING - 700 RPM		
80G-002	PTO MINIMUM RPM - 700		
80J-001	REGEN INHIBIT SPEED THRESHOLD - 0 MPH		
Engine Equipment			
99C-017	2016 ONBOARD DIAGNOSTICS/2010 EPA/CARB/FINAL GHG17 CONFIGURATION		
99D-011	2008 CARB EMISSION CERTIFICATION - CLEAN IDLE (INCLUDES 6X4 INCH LABEL ON LOWER FORWARD CORNER OF DRIVER DOOR)		
13E-001	STANDARD OIL PAN		
105-001	ENGINE MOUNTED OIL CHECK AND FILL		
133-004	ONE PIECE VALVE COVER		
014-099	SIDE OF HOOD AIR INTAKE WITH FIREWALL MOUNTED DONALDSON AIR CLEANER		
124-1D7	DR 12V 160 AMP 28-SI QUADRAMOUNT PAD ALTERNATOR WITH REMOTE BATTERY VOLT SENSE		

Prepared for:
 Ryan Kloos
 Terex Utilities
 500 Oakwood Rd
 Watertown, SD 57201
 Phone: 605-882-4000

Prepared by:
 Sam Long
 FOUR STAR OF MONTGOMERY
 3140 HAYNEVILLE ROAD
 MONTGOMERY, AL 36108
 Phone: 334-263-1085

Data Code	Description	Weight Front	Weight Rear
292-058	(3) ALLIANCE MODEL 1031, GROUP 31, 12 VOLT MAINTENANCE FREE 2280 CCA THREADED STUD BATTERIES	40	20
290-017	BATTERY BOX FRAME MOUNTED		
281-001	STANDARD BATTERY JUMPERS		
282-042	LH BATTERY BOX MOUNTED AS FAR AFT AS POSSIBLE, NO GREATER THAN 60 INCHES BACK OF CAB		
291-017	WIRE GROUND RETURN FOR BATTERY CABLES WITH ADDITIONAL FRAME GROUND RETURN		
289-001	NON-POLISHED BATTERY BOX COVER		
293-058	POSITIVE LOAD DISCONNECT WITH CAB MOUNTED CONTROL SWITCH MOUNTED OUTBOARD DRIVER SEAT	8	
295-029	POSITIVE AND NEGATIVE POSTS FOR JUMPSTART LOCATED ON FRAME NEXT TO STARTER	2	
107-032	CUMMINS TURBOCHARGED 18.7 CFM AIR COMPRESSOR WITH INTERNAL SAFETY VALVE		
108-002	STANDARD MECHANICAL AIR COMPRESSOR GOVERNOR		
131-013	AIR COMPRESSOR DISCHARGE LINE		
152-041	ELECTRONIC ENGINE INTEGRAL SHUTDOWN PROTECTION SYSTEM		
128-076	CUMMINS EXHAUST BRAKE INTEGRAL WITH VARIABLE GEOMETRY TURBO WITH ON/OFF DASH SWITCH	20	
016-101	RH INBOARD FRAME MOUNTED HORIZONTAL AFTERTREATMENT SYSTEM ASSEMBLY WITH HORIZONTAL TAILPIPE	-50	-50
28F-007	ENGINE AFTERTREATMENT DEVICE, AUTOMATIC OVER THE ROAD ACTIVE REGENERATION AND DASH MOUNTED SINGLE REGENERATION REQUEST/INHIBIT SWITCH		
239-001	STANDARD EXHAUST SYSTEM LENGTH		
237-052	RH STANDARD HORIZONTAL TAILPIPE		
23U-001	6 GALLON DIESEL EXHAUST FLUID TANK		
30N-003	100 PERCENT DIESEL EXHAUST FLUID FILL		
43X-002	LH MEDIUM DUTY STANDARD DIESEL EXHAUST FLUID TANK LOCATION		
23Y-001	STANDARD DIESEL EXHAUST FLUID PUMP MOUNTING		
43Y-001	STANDARD DIESEL EXHAUST FLUID TANK CAP		
273-018	HORTON DRIVEMASTER ADVANTAGE ON/OFF FAN DRIVE		

Prepared for:
 Ryan Kloos
 Terex Utilities
 500 Oakwood Rd
 Watertown, SD 57201
 Phone: 605-882-4000

Prepared by:
 Sam Long
 FOUR STAR OF MONTGOMERY
 3140 HAYNEVILLE ROAD
 MONTGOMERY, AL 36108
 Phone: 334-263-1085

Data Code	Description	Weight Front	Weight Rear
276-001	AUTOMATIC FAN CONTROL WITHOUT DASH SWITCH, NON ENGINE MOUNTED		
110-003	CUMMINS SPIN ON FUEL FILTER		
118-008	COMBINATION FULL FLOW/BYPASS OIL FILTER		
266-013	1100 SQUARE INCH ALUMINUM RADIATOR	20	
103-039	ANTIFREEZE TO -34F, OAT (NITRITE AND SILICATE FREE) EXTENDED LIFE COOLANT		
171-007	GATES BLUE STRIPE COOLANT HOSES OR EQUIVALENT		
172-001	CONSTANT TENSION HOSE CLAMPS FOR COOLANT HOSES		
270-016	RADIATOR DRAIN VALVE		
168-002	LOWER RADIATOR GUARD		
138-011	PHILLIPS-TEMRO 1000 WATT/115 VOLT BLOCK HEATER	4	
140-053	BLACK PLASTIC ENGINE HEATER RECEPTACLE MOUNTED UNDER LH DOOR		
134-001	ALUMINUM FLYWHEEL HOUSING		
132-004	ELECTRIC GRID AIR INTAKE WARMER		
155-058	DELCO 12V 38MT HD STARTER WITH INTEGRATED MAGNETIC SWITCH		
Transmission			
342-584	ALLISON 3500 RDS AUTOMATIC TRANSMISSION WITH PTO PROVISION	200	60
Transmission Equipment			
343-339	ALLISON VOCATIONAL PACKAGE 223 - AVAILABLE ON 3000/4000 PRODUCT FAMILIES WITH VOCATIONAL MODELS RDS, HS, MH AND TRV		
84B-012	ALLISON VOCATIONAL RATING FOR ON/OFF HIGHWAY APPLICATIONS AVAILABLE WITH ALL PRODUCT FAMILIES		
84C-023	PRIMARY MODE GEARS, LOWEST GEAR 1, START GEAR 1, HIGHEST GEAR 6, AVAILABLE FOR 3000/4000 PRODUCT FAMILIES ONLY		
84D-023	SECONDARY MODE GEARS, LOWEST GEAR 1, START GEAR 1, HIGHEST GEAR 6, AVAILABLE FOR 3000/4000 PRODUCT FAMILIES ONLY		
84E-000	PRIMARY SHIFT SCHEDULE RECOMMENDED BY DTNA AND ALLISON, THIS DEFINED BY ENGINE AND VOCATIONAL USAGE		
84F-000	SECONDARY SHIFT SCHEDULE RECOMMENDED BY DTNA AND ALLISON, THIS DEFINED BY ENGINE AND VOCATIONAL USAGE		

Prepared for:
 Ryan Kloos
 Terex Utilities
 500 Oakwood Rd
 Watertown, SD 57201
 Phone: 605-882-4000

Prepared by:
 Sam Long
 FOUR STAR OF MONTGOMERY
 3140 HAYNEVILLE ROAD
 MONTGOMERY, AL 36108
 Phone: 334-263-1085

Data Code	Description	Weight Front	Weight Rear
84G-000	PRIMARY SHIFT SPEED RECOMMENDED BY DTNA AND ALLISON, THIS DEFINED BY ENGINE AND VOCATIONAL USAGE		
84H-000	SECONDARY SHIFT SPEED RECOMMENDED BY DTNA AND ALLISON, THIS DEFINED BY ENGINE AND VOCATIONAL USAGE		
84L-000	LOAD BASED SHIFT SCHEDULE AND VEHICLE ACCELERATION CONTROL RECOMMENDED BY DTNA AND ALLISON, THIS DEFINED VOCATIONAL USAGE		
84N-000	NEUTRAL AT STOP - DISABLED, FUELSENSE - DISABLED		
84U-000	DRIVER SWITCH INPUT - DEFAULT - NO SWITCHES		
353-023	VEHICLE INTERFACE WIRING CONNECTOR WITHOUT BLUNT CUTS, AT END OF FRAME		
34C-001	ELECTRONIC TRANSMISSION CUSTOMER ACCESS CONNECTOR FIREWALL MOUNTED		
362-035	CUSTOMER INSTALLED CHELSEA 277 SERIES PTO		
363-001	PTO MOUNTING, LH SIDE OF MAIN TRANSMISSION		
341-018	MAGNETIC PLUGS, ENGINE DRAIN, TRANSMISSION DRAIN, AXLE(S) FILL AND DRAIN		
345-003	PUSH BUTTON ELECTRONIC SHIFT CONTROL, DASH MOUNTED		
97G-004	TRANSMISSION PROGNOSTICS - ENABLED 2013		
370-015	WATER TO OIL TRANSMISSION COOLER, IN RADIATOR END TANK		
346-013	TRANSMISSION OIL CHECK AND FILL WITH CROSSOVER TO CLEAR LH PTO AND DIRECT MOUNT PUMP		
35T-001	SYNTHETIC TRANSMISSION FLUID (TES-295 COMPLIANT)		

Front Axle and Equipment

400-1A7	DETROIT DA-F-13.3-3 13,300# FF1 71.5 KPI/3.74 DROP SINGLE FRONT AXLE
402-049	MERITOR 16.5X5 Q+ CAST SPIDER CAM FRONT BRAKES, DOUBLE ANCHOR, FABRICATED SHOES
403-002	NON-ASBESTOS FRONT BRAKE LINING
419-023	CONMET CAST IRON FRONT BRAKE DRUMS
409-006	FRONT OIL SEALS

Prepared for:
 Ryan Kloos
 Terex Utilities
 500 Oakwood Rd
 Watertown, SD 57201
 Phone: 605-882-4000

Prepared by:
 Sam Long
 FOUR STAR OF MONTGOMERY
 3140 HAYNEVILLE ROAD
 MONTGOMERY, AL 36108
 Phone: 334-263-1085

Data Code	Description	Weight Front	Weight Rear
408-001	VENTED FRONT HUB CAPS WITH WINDOW, CENTER AND SIDE PLUGS - OIL		
416-022	STANDARD SPINDLE NUTS FOR ALL AXLES		
405-002	MERITOR AUTOMATIC FRONT SLACK ADJUSTERS		
536-050	TRW THP-60 POWER STEERING		
539-003	POWER STEERING PUMP		
534-015	2 QUART SEE THROUGH POWER STEERING RESERVOIR		
40T-001	ORGANIC SAE 80/90 FRONT AXLE LUBE		
Front Suspension			
620-1D8	13,300# TAPERLEAF FRONT SUSPENSION	75	
619-005	MAINTENANCE FREE RUBBER BUSHINGS - FRONT SUSPENSION		
62H-012	FRONT SUSPENSION WITH LEFT HAND AND RIGHT HAND OFFSET SHACKLE BRACKETS		
410-001	FRONT SHOCK ABSORBERS		
Rear Axle and Equipment			
420-051	RS-23-160 23,000# R-SERIES SINGLE REAR AXLE		180
421-538	5.38 REAR AXLE RATIO		
424-001	IRON REAR AXLE CARRIER WITH STANDARD AXLE HOUSING		
386-073	MXL 17T MERITOR EXTENDED LUBE MAIN DRIVELINE WITH HALF ROUND YOKES		
452-001	DRIVER CONTROLLED TRACTION DIFFERENTIAL - SINGLE REAR AXLE		20
878-018	(1) DRIVER CONTROLLED DIFFERENTIAL LOCK REAR VALVE FOR SINGLE DRIVE AXLE		
87B-004	BLINKING LAMP WITH EACH MODE SWITCH, DIFFERENTIAL UNLOCK WITH IGNITION OFF, ACTIVE <5 MPH		
423-020	MERITOR 16.5X7 Q+ CAST SPIDER CAM REAR BRAKES, DOUBLE ANCHOR, FABRICATED SHOES		
433-002	NON-ASBESTOS REAR BRAKE LINING		
434-011	BRAKE CAMS AND CHAMBERS ON FORWARD SIDE OF DRIVE AXLE(S)		
451-023	CONMET CAST IRON REAR BRAKE DRUMS		
440-006	REAR OIL SEALS		
426-100	WABCO TRISTOP D LONGSTROKE 1-DRIVE AXLE SPRING PARKING CHAMBERS		

Prepared for:
 Ryan Kloos
 Terex Utilities
 500 Oakwood Rd
 Watertown, SD 57201
 Phone: 605-882-4000

Prepared by:
 Sam Long
 FOUR STAR OF MONTGOMERY
 3140 HAYNEVILLE ROAD
 MONTGOMERY, AL 36108
 Phone: 334-263-1085

Data Code	Description	Weight Front	Weight Rear
428-002	MERITOR AUTOMATIC REAR SLACK ADJUSTERS		
41T-002	SYNTHETIC 75W-90 REAR AXLE LUBE		
Rear Suspension			
622-1MJ	23,000# 52 INCH VARIABLE RATE MULTI-LEAF SPRING REAR SUSPENSION WITH LEAF SPRING HELPER		110
621-001	SPRING SUSPENSION - NO AXLE SPACERS		
431-001	STANDARD AXLE SEATS IN AXLE CLAMP GROUP		
Brake System			
018-002	AIR BRAKE PACKAGE		
490-100	WABCO 4S/4M ABS WITHOUT TRACTION CONTROL		
871-001	REINFORCED NYLON, FABRIC BRAID AND WIRE BRAID CHASSIS AIR LINES		
904-001	FIBER BRAID PARKING BRAKE HOSE		
412-001	STANDARD BRAKE SYSTEM VALVES		
46D-002	STANDARD AIR SYSTEM PRESSURE PROTECTION SYSTEM		
413-002	STD U.S. FRONT BRAKE VALVE		
432-003	RELAY VALVE WITH 5-8 PSI CRACK PRESSURE, NO REAR PROPORTIONING VALVE		
480-083	WABCO SS-1200 PLUS AIR DRYER WITH INTEGRAL AIR GOVERNOR AND HEATER		
479-003	AIR DRYER MOUNTED INBOARD ON LH RAIL		
460-048	STEEL AIR BRAKE RESERVOIRS MOUNTED IN CAB ENTRY STEPS WHEN POSSIBLE		
607-001	CLEAR FRAME RAILS FROM BACK OF CAB TO FRONT REAR SUSPENSION BRACKET, BOTH RAILS OUTBOARD		
477-004	PULL CABLES ON ALL AIR RESERVOIR(S)		
Trailer Connections			
296-010	PRIMARY CONNECTOR/RECEPTACLE WIRED FOR SEPARATE STOP/TURN, ABS CENTER PIN POWERED THROUGH IGNITION		
297-001	SAE J560 7-WAY PRIMARY TRAILER CABLE RECEPTACLE MOUNTED END OF FRAME	5	5
335-004	UPGRADED CHASSIS MULTIPLEXING UNIT		
32A-002	UPGRADED BULKHEAD MULTIPLEXING UNIT		
30L-998	NO HIGH CURRENT TRAILER/BODY CABLE		
Wheelbase & Frame			

Prepared for:
 Ryan Kloos
 Terex Utilities
 500 Oakwood Rd
 Watertown, SD 57201
 Phone: 605-882-4000

Prepared by:
 Sam Long
 FOUR STAR OF MONTGOMERY
 3140 HAYNEVILLE ROAD
 MONTGOMERY, AL 36108
 Phone: 334-263-1085

Data Code	Description	Weight Front	Weight Rear
545-480	4800MM (189 INCH) WHEELBASE		
546-102	7/16X3-9/16X11-1/8 INCH STEEL FRAME (11.11MMX282.6MM/0.437X11.13 INCH) 120KSI	160	280
552-063	2550MM (100 INCH) REAR FRAME OVERHANG		
55W-009	FRAME OVERHANG RANGE: 91 INCH TO 100 INCH	-50	210
AC8-99D	CALC'D BACK OF CAB TO REAR SUSP C/L (CA) : 123.45 in		
AE8-99D	CALCULATED EFFECTIVE BACK OF CAB TO REAR SUSPENSION C/L (CA) : 120.45 in		
AE4-99D	CALC'D FRAME LENGTH - OVERALL : 318.39		
AM6-99D	CALC'D SPACE AVAILABLE FOR DECKPLATE : 123.45 in		
FSS-0LH	CALCULATED FRAME SPACE LH SIDE : 110.49 in		
FSS-0RH	CALCULATED FRAME SPACE RH SIDE : 128.24 in		
553-001	SQUARE END OF FRAME		
550-001	FRONT CLOSING CROSSMEMBER		
559-001	STANDARD WEIGHT ENGINE CROSSMEMBER		
562-001	STANDARD MIDSHIP #1 CROSSMEMBER(S)		
572-001	STANDARD REARMOST CROSSMEMBER		
565-001	STANDARD SUSPENSION CROSSMEMBER		
Chassis Equipment			
556-1AP	THREE-PIECE 14 INCH PAINTED STEEL BUMPER WITH COLLAPSIBLE ENDS	30	
558-001	FRONT TOW HOOKS - FRAME MOUNTED	15	
574-001	BUMPER MOUNTING FOR SINGLE LICENSE PLATE		
586-024	FENDER AND FRONT OF HOOD MOUNTED FRONT MUDFLAPS		
551-007	GRADE 8 THREADED HEX HEADED FRAME FASTENERS		
Fuel Tanks			
204-215	50 GALLON/189 LITER SHORT RECTANGULAR ALUMINUM FUEL TANK - LH	20	
218-005	RECTANGULAR FUEL TANK(S)		
215-005	PLAIN ALUMINUM/PAINTED STEEL FUEL/HYDRAULIC TANK(S) WITH PAINTED BANDS		
212-007	FUEL TANK(S) FORWARD		
664-001	PLAIN STEP FINISH		

Prepared for:
 Ryan Kloos
 Terex Utilities
 500 Oakwood Rd
 Watertown, SD 57201
 Phone: 605-882-4000

Prepared by:
 Sam Long
 FOUR STAR OF MONTGOMERY
 3140 HAYNEVILLE ROAD
 MONTGOMERY, AL 36108
 Phone: 334-263-1085

Data Code	Description	Weight Front	Weight Rear
205-001	FUEL TANK CAP(S)		
122-1J1	DETROIT FUEL/WATER SEPARATOR WITH WATER IN FUEL SENSOR, HAND PRIMER AND 12 VOLT PREHEATER"	-5	
216-020	EQUIFLO INBOARD FUEL SYSTEM		
202-016	HIGH TEMPERATURE REINFORCED NYLON FUEL LINE		
Tires			
093-0RW	MICHELIN XZA2 ENERGY 315/80R22.5 20 PLY RADIAL FRONT TIRES	56	
094-0GK	MICHELIN XDN2 11R22.5 14 PLY RADIAL REAR TIRES		72
Hubs			
418-060	CONMET PRESET PLUS PREMIUM IRON FRONT HUBS	20	
450-060	CONMET PRESET PLUS PREMIUM IRON REAR HUBS		
Wheels			
502-433	ACCURIDE 29039 22.5X9.00 10-HUB PILOT 5.25 INSET 5-HAND STEEL DISC FRONT WHEELS	66	
505-717	ACCURIDE 50408 ACCU-LITE 22.5X8.25 10-HUB PILOT 2-HAND STEEL DISC REAR WHEELS		
496-011	FRONT WHEEL MOUNTING NUTS		
497-011	REAR WHEEL MOUNTING NUTS		
Cab Exterior			
829-071	106 INCH BBC FLAT ROOF ALUMINUM CONVENTIONAL CAB		
650-008	AIR CAB MOUNTS		
678-998	NO GRAB HANDLES		
646-009	PAINTED PLASTIC GRILLE		
65X-001	ARGENT SILVER HOOD MOUNTED AIR INTAKE GRILLE		
644-004	FIBERGLASS HOOD		
727-1AF	SINGLE 14 INCH ROUND HADLEY AIR HORN UNDER LH DECK	4	
726-001	SINGLE ELECTRIC HORN		
728-001	SINGLE HORN SHIELD		
657-001	DOOR LOCKS AND IGNITION SWITCH KEYED THE SAME		
575-001	REAR LICENSE PLATE MOUNT END OF FRAME		
312-043	INTEGRAL HEADLIGHT/MARKER ASSEMBLY		

Prepared for:
 Ryan Kloos
 Terex Utilities
 500 Oakwood Rd
 Watertown, SD 57201
 Phone: 605-882-4000

Prepared by:
 Sam Long
 FOUR STAR OF MONTGOMERY
 3140 HAYNEVILLE ROAD
 MONTGOMERY, AL 36108
 Phone: 334-263-1085

Data Code	Description	Weight Front	Weight Rear
302-001	(5) AMBER MARKER LIGHTS		
294-090	OMIT STOP/TAIL/BACKUP LIGHTS AND PROVIDE WIRING FOR COMBINED STOP/TURN LIGHTS TO FOUR FEET BEYOND END OF FRAME		-5
300-015	STANDARD FRONT TURN SIGNAL LAMPS		
744-1BH	DUAL WEST COAST MOLDED-IN COLOR MIRRORS		
797-001	DOOR MOUNTED MIRRORS		
796-001	102 INCH EQUIPMENT WIDTH		
743-1AP	LH AND RH 8 INCH MOLDED-IN COLOR CONVEX MIRRORS MOUNTED UNDER PRIMARY MIRRORS		
729-001	STANDARD SIDE/REAR REFLECTORS		
768-043	63X14 INCH TINTED REAR WINDOW		
661-003	TINTED DOOR GLASS LH AND RH WITH TINTED NON-OPERATING WING WINDOWS		
654-027	RH AND LH ELECTRIC POWERED WINDOWS, PASSENGER SWITCHES ON DOOR(S)	4	
663-013	TINTED WINDSHIELD		
659-019	2 GALLON WINDSHIELD WASHER RESERVOIR WITHOUT FLUID LEVEL INDICATOR, FRAME MOUNTED		

Cab Interior

707-1AK	OPAL GRAY VINYL INTERIOR		
706-013	MOLDED PLASTIC DOOR PANEL		
708-013	MOLDED PLASTIC DOOR PANEL		
772-006	BLACK MATS WITH SINGLE INSULATION		
785-001	DASH MOUNTED ASH TRAYS AND LIGHTER		
691-008	FORWARD ROOF MOUNTED CONSOLE WITH UPPER STORAGE COMPARTMENTS WITHOUT NETTING		
694-010	IN DASH STORAGE BIN		
742-007	(2) CUP HOLDERS LH AND RH DASH		
680-006	GRAY/CHARCOAL FLAT DASH		
700-002	HEATER, DEFROSTER AND AIR CONDITIONER		
701-001	STANDARD HVAC DUCTING		
703-005	MAIN HVAC CONTROLS WITH RECIRCULATION SWITCH		
170-015	STANDARD HEATER PLUMBING		
130-033	DENSO HEAVY DUTY AIR CONDITIONER COMPRESSOR		
702-002	BINARY CONTROL, R-134A		

Prepared for:
 Ryan Kloos
 Terex Utilities
 500 Oakwood Rd
 Watertown, SD 57201
 Phone: 605-882-4000

Prepared by:
 Sam Long
 FOUR STAR OF MONTGOMERY
 3140 HAYNEVILLE ROAD
 MONTGOMERY, AL 36108
 Phone: 334-263-1085

Data Code	Description	Weight Front	Weight Rear
739-033	STANDARD INSULATION		
285-013	SOLID-STATE CIRCUIT PROTECTION AND FUSES		
280-007	12V NEGATIVE GROUND ELECTRICAL SYSTEM		
324-011	DOMED DOOR ACTIVATED LH AND RH, DUAL READING LIGHTS, FORWARD CAB ROOF		
655-005	LH AND RH ELECTRIC DOOR LOCKS		
284-023	(1) 12 VOLT POWER SUPPLY IN DASH		
756-1J3	BASIC HIGH BACK AIR SUSPENSION DRIVER SEAT WITH MECHANICAL LUMBAR AND INTEGRATED CUSHION EXTENSION	30	
760-1J3	BASIC HIGH BACK AIR SUSPENSION PASSENGER SEAT WITH MECHANICAL LUMBAR AND INTEGRATED CUSHION EXTENSION	25	10
711-004	LH AND RH INTEGRAL DOOR PANEL ARMRESTS		
758-036	VINYL WITH VINYL INSERT DRIVER SEAT		
761-036	VINYL WITH VINYL INSERT PASSENGER SEAT		
763-102	HIGH VISIBILITY ORANGE SEAT BELTS		
532-001	FIXED STEERING COLUMN		
540-015	4-SPOKE 18 INCH (450MM) STEERING WHEEL		
765-002	DRIVER AND PASSENGER INTERIOR SUN VISORS		

Instruments & Controls

732-004	GRAY DRIVER INSTRUMENT PANEL		
734-004	GRAY CENTER INSTRUMENT PANEL		
870-001	BLACK GAUGE BEZELS		
486-006	LOW AIR PRESSURE INDICATOR LIGHT AND AUDIBLE ALARM WITH (1) ADDITIONAL PARK SWITCH FOR CUSTOMER USE		
840-002	2 INCH PRIMARY AND SECONDARY AIR PRESSURE GAUGES		
198-025	INTAKE MOUNTED AIR RESTRICTION INDICATOR WITHOUT GRADUATIONS		
149-013	ELECTRONIC CRUISE CONTROL WITH SWITCHES IN LH SWITCH PANEL		
156-007	KEY OPERATED IGNITION SWITCH AND INTEGRAL START POSITION; 4 POSITION OFF/RUN/START/ACCESSORY		
811-042	ICU3S, 132X48 DISPLAY WITH DIAGNOSTICS, 28 LED WARNING LAMPS AND DATA LINKED		
160-038	HEAVY DUTY ONBOARD DIAGNOSTICS INTERFACE CONNECTOR LOCATED BELOW LH DASH		

Prepared for:
 Ryan Kloos
 Terex Utilities
 500 Oakwood Rd
 Watertown, SD 57201
 Phone: 605-882-4000

Prepared by:
 Sam Long
 FOUR STAR OF MONTGOMERY
 3140 HAYNEVILLE ROAD
 MONTGOMERY, AL 36108
 Phone: 334-263-1085

Data Code	Description	Weight Front	Weight Rear
844-001	2 INCH ELECTRIC FUEL GAUGE		
148-003	PROGRAMMABLE RPM CONTROL - ELECTRONIC ENGINE		
856-001	ELECTRICAL ENGINE COOLANT TEMPERATURE GAUGE		
864-001	2 INCH TRANSMISSION OIL TEMPERATURE GAUGE		
830-017	ENGINE AND TRIP HOUR METERS INTEGRAL WITHIN DRIVER DISPLAY		
372-051	CUSTOMER FURNISHED AND INSTALLED PTO CONTROLS		
73B-998	NO LANE DEPARTURE WARNING SYSTEM		
852-002	ELECTRIC ENGINE OIL PRESSURE GAUGE		
679-001	OVERHEAD INSTRUMENT PANEL		
746-114	AM/FM/WB WORLD TUNER RADIO WITH AUXILIARY INPUT, J1939	10	
747-001	DASH MOUNTED RADIO		
750-002	(2) RADIO SPEAKERS IN CAB		
753-008	AM/FM ANTENNA MOUNTED ON LH SIDE MIRROR		
810-027	ELECTRONIC MPH SPEEDOMETER WITH SECONDARY KPH SCALE, WITHOUT ODOMETER		
817-001	STANDARD VEHICLE SPEED SENSOR		
812-001	ELECTRONIC 3000 RPM TACHOMETER		
8D1-998	NO DETROIT CONNECT SERVICES SELECTED		
8Z1-998	NO ZONAR SERVICES SELECTED		
162-011	IDLE LIMITER, ELECTRONIC ENGINE		
836-015	DIGITAL VOLTAGE DISPLAY INTEGRAL WITH DRIVER DISPLAY		
660-008	SINGLE ELECTRIC WINDSHIELD WIPER MOTOR WITH DELAY		
304-001	MARKER LIGHT SWITCH INTEGRAL WITH HEADLIGHT SWITCH		
882-009	ONE VALVE PARKING BRAKE SYSTEM WITH WARNING INDICATOR		
299-013	SELF CANCELING TURN SIGNAL SWITCH WITH DIMMER, WASHER/WIPER AND HAZARD IN HANDLE		
298-039	INTEGRAL ELECTRONIC TURN SIGNAL FLASHER WITH HAZARD LAMPS OVERRIDING STOP LAMPS		
869-998	NO MISCELLANEOUS GAUGES		

Prepared for:
 Ryan Kloos
 Terex Utilities
 500 Oakwood Rd
 Watertown, SD 57201
 Phone: 605-882-4000

Prepared by:
 Sam Long
 FOUR STAR OF MONTGOMERY
 3140 HAYNEVILLE ROAD
 MONTGOMERY, AL 36108
 Phone: 334-263-1085

Data Code	Description	Weight Front	Weight Rear
Design			
065-000	PAINT: ONE SOLID COLOR		
Color			
980-6H9	CAB COLOR A: L3258EB SEMI YELLOW ELITE BC		
986-020	BLACK, HIGH SOLIDS POLYURETHANE CHASSIS PAINT		
98K-998	NO FUEL TANK CABINET PAINT		
962-972	POWDER WHITE (N0006EA) FRONT WHEELS/RIMS (PKWHT21, TKWHT21, W, TW)		
966-972	POWDER WHITE (N0006EA) REAR WHEELS/RIMS (PKWHT21, TKWHT21, W, TW)		
964-6Z7	BUMPER PAINT: FP24812 ARGENT SILVER DUPONT FLEX		
963-003	STANDARD E COAT/UNDERCOATING		
Certification / Compliance			
996-001	U.S. FMVSS CERTIFICATION, EXCEPT SALES CABS AND GLIDER KITS		
Sales Programs			
RZ1-998	NO ZONAR SERVICE SELECTED		

TOTAL VEHICLE SUMMARY

	Weight Front	Weight Rear	Total Weight
Factory Weight ⁺	7108 lbs	4445 lbs	11553 lbs
Total Weight ⁺	7108 lbs	4445 lbs	11553 lbs

Extended Warranty			
WAG-009	TOWING: 6 MONTHS/UNLIMITED MILES/KM EXTENDED TOWING COVERAGE \$550 CAP FEX APPLIES		

Prepared for:
Ryan Kloos
Terex Utilities
500 Oakwood Rd
Watertown, SD 57201
Phone: 605-882-4000

Prepared by:
Sam Long
FOUR STAR OF MONTGOMERY
3140 HAYNEVILLE ROAD
MONTGOMERY, AL 36108
Phone: 334-263-1085

(+) Weights shown are estimates only.
If weight is critical, contact Customer Application Engineering.

Options

Date	7/25/17
Job(s) #	QU09148
Customer Name	CITY OF ANN ARBOR
Customer PO #	

No.	Description	Selling Price	Options:
1	Collapsible take up reel and storage bracket	\$1,048	<input type="checkbox"/> Add Option
2		\$0	<input type="checkbox"/> Add Option
3		\$0	<input type="checkbox"/> Add Option
4		\$0	<input type="checkbox"/> Add Option
5		\$0	<input type="checkbox"/> Add Option
6		\$0	<input type="checkbox"/> Add Option
7		\$0	<input type="checkbox"/> Add Option
8		\$0	<input type="checkbox"/> Add Option
9		\$0	<input type="checkbox"/> Add Option
10		\$0	<input type="checkbox"/> Add Option
11		\$0	<input type="checkbox"/> Add Option
12		\$0	<input type="checkbox"/> Add Option
13		\$0	<input type="checkbox"/> Add Option
Total:		\$ 1,048	