

MAde studio LLC

RiverUp!



HURON RIVER WATER TRAIL KAYAK LOCKERS

HURON RIVER WATER TRAIL KAYAK LOCKERS:

Architect:
MAde Studio LLC
305 W Liberty St
Ann Arbor, MI 48103
www.made-studio.org

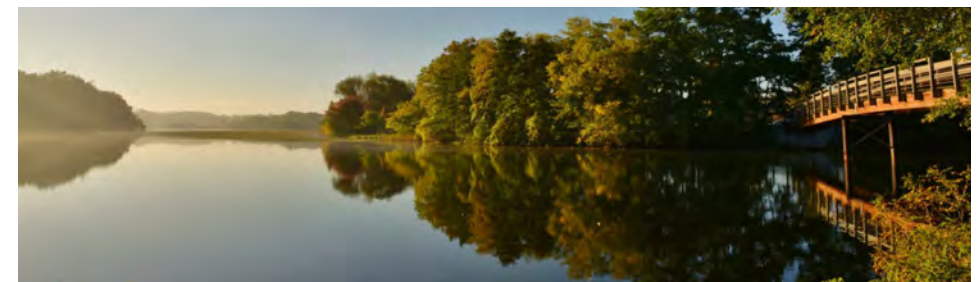
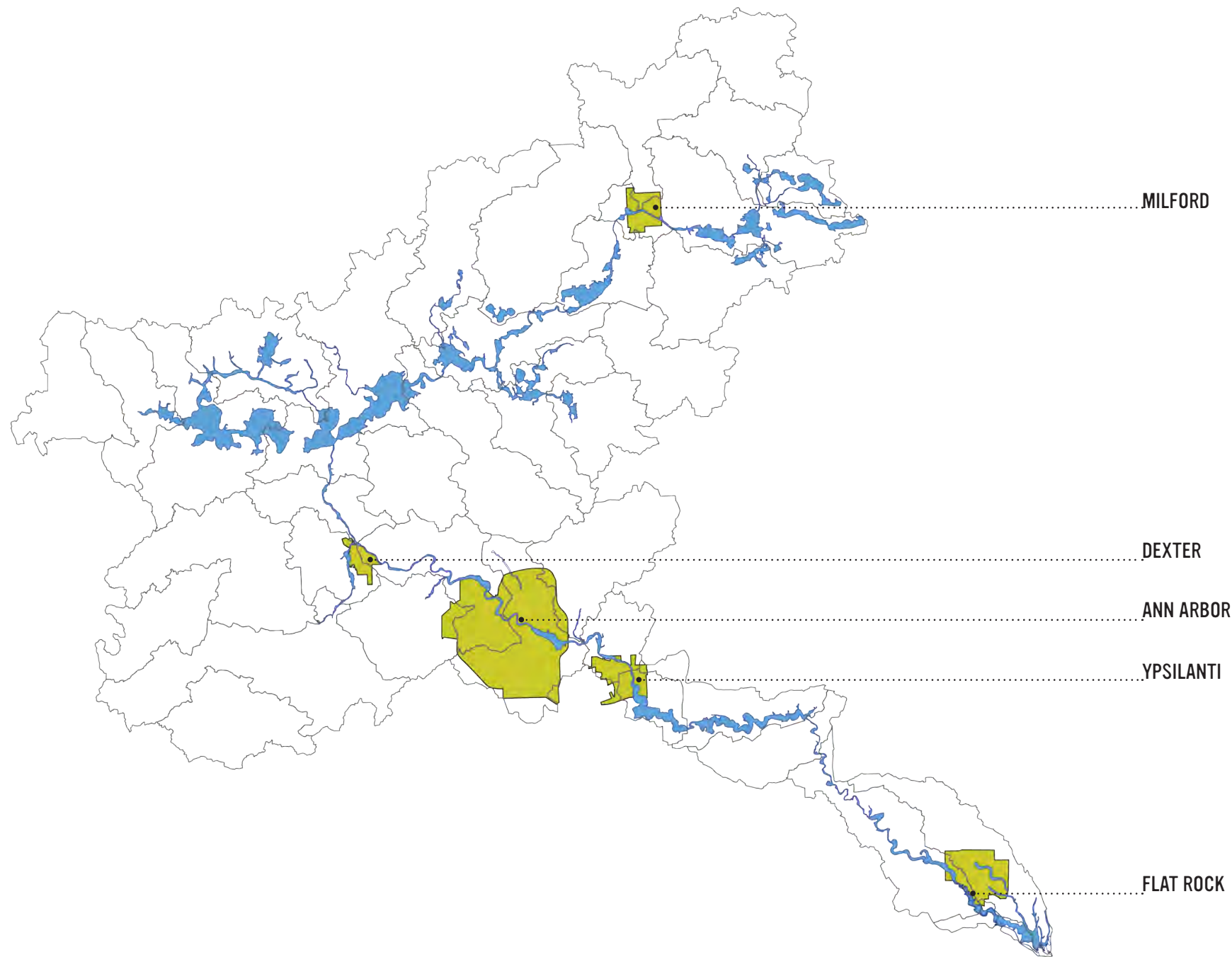
RiverUP! Manager:
Elizabeth Riggs

Client:
Huron River Watershed Council

The Huron River Water Trail is a 104-mile inland paddling trail connecting people to the river's natural environment, its history, and the communities it connects in Michigan's Lower Peninsula. It is a consortium of interested groups and communities committed to providing residents and visitors with a safe, accessible and enjoyable experience on the Huron River and in the Trail Towns.

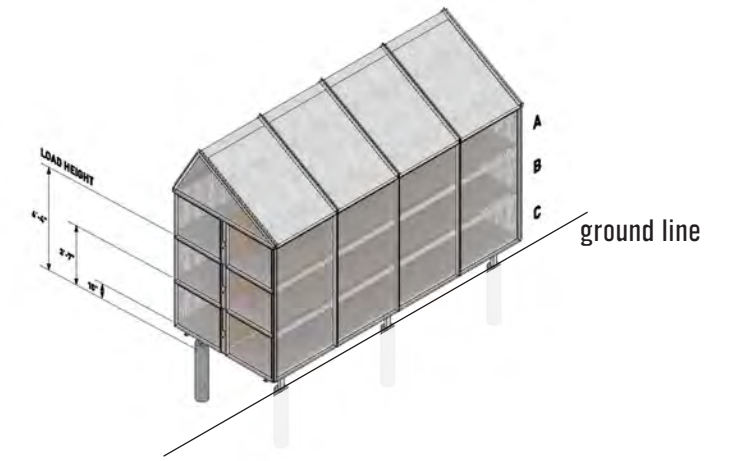
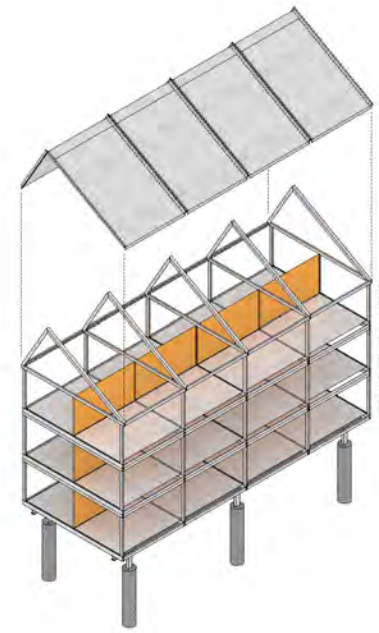
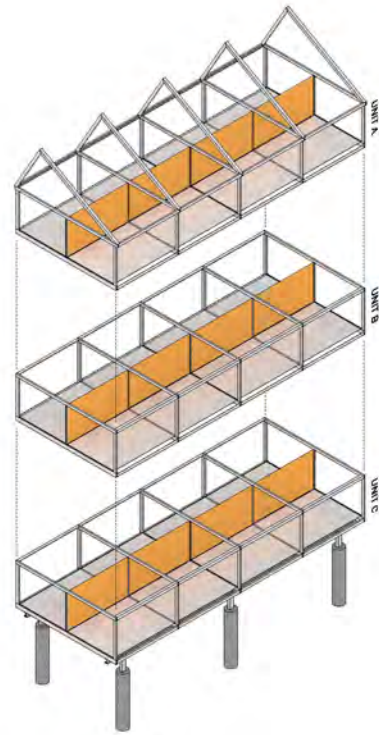
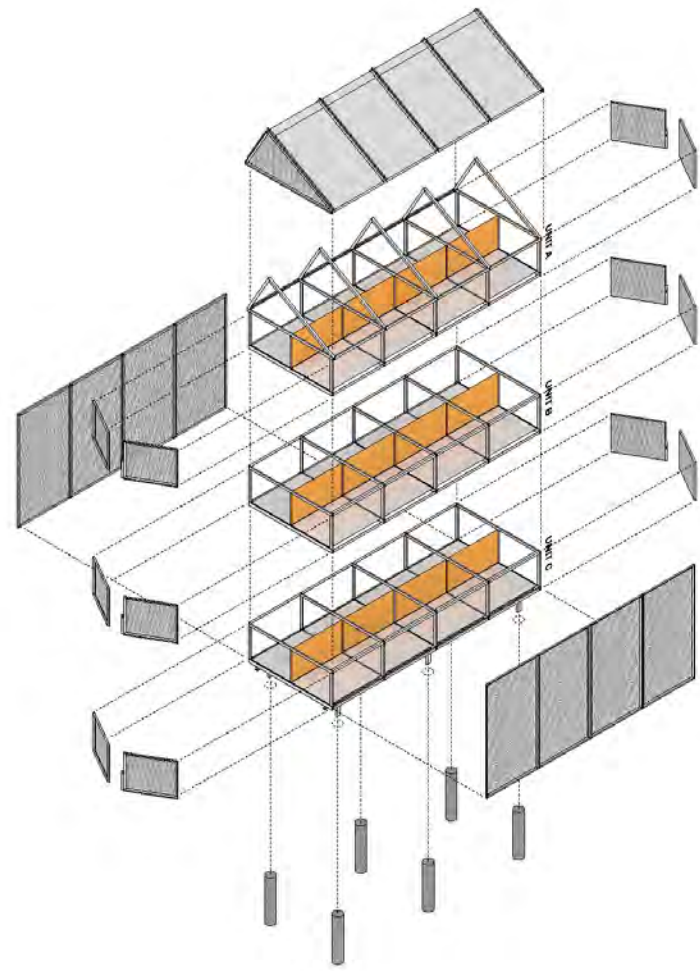
Secretary of the Interior Sally Jewell designated the Huron River Water Trail as the 18th trail of the National Water Trails System in July 2015. The Huron River Water Trail joins a network of national exemplary water trails from Puget Sound to the Hudson River. The National Water Trails System is an inter-agency collaborative effort administrated by the National Park Service.

A river renaissance is taking place in the cities and towns along the Huron River. Through RiverUp!, river corridor revitalization is underway with the goal of making the Huron River the new "Main Street" where residents and tourists recreate, live, gather, commute, and do business. At the heart of it all are cities and towns that have made a commitment to the Huron River Water Trail, creating fun destinations where trail users can venture off the trail to enjoy the scenery, services, heritage, and character of a community.

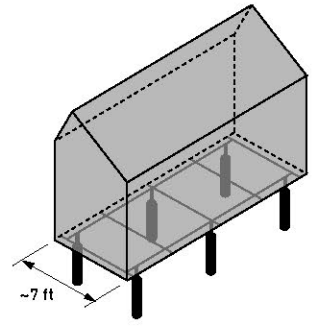


Five trail towns are located along the length of the Huron River. Each town provides a site for a series of kayak lockers to enable paddlers to store boats during the summer or to lock them up to enable overnight stays and tourism along the river.

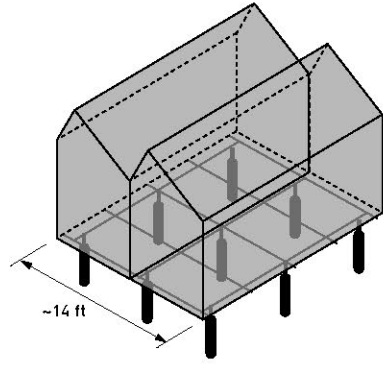




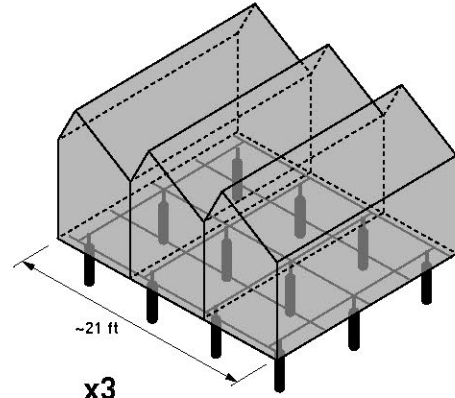
The lockers are a galvanized, welded steel frame for durability and low maintenance. Each locker has color panels inserted, a solid galvanized sheet roof, and galvanized expanded metal mesh panels around the perimeter to provide visual transparency and air flow.



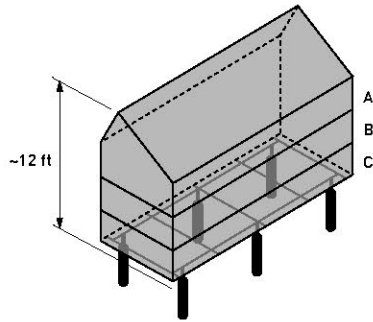
x1
6 FOOTERS
6 LOCKERS



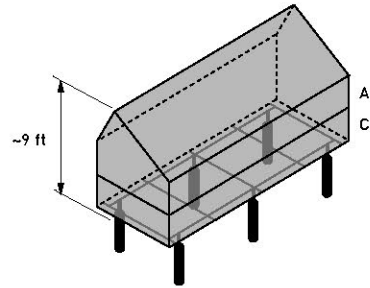
x2
9 FOOTERS
12 LOCKERS



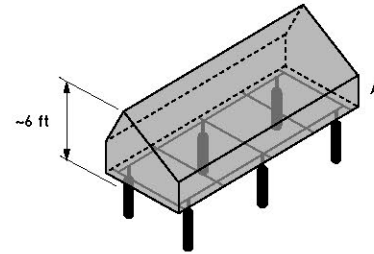
x3
12 FOOTERS
18 LOCKERS



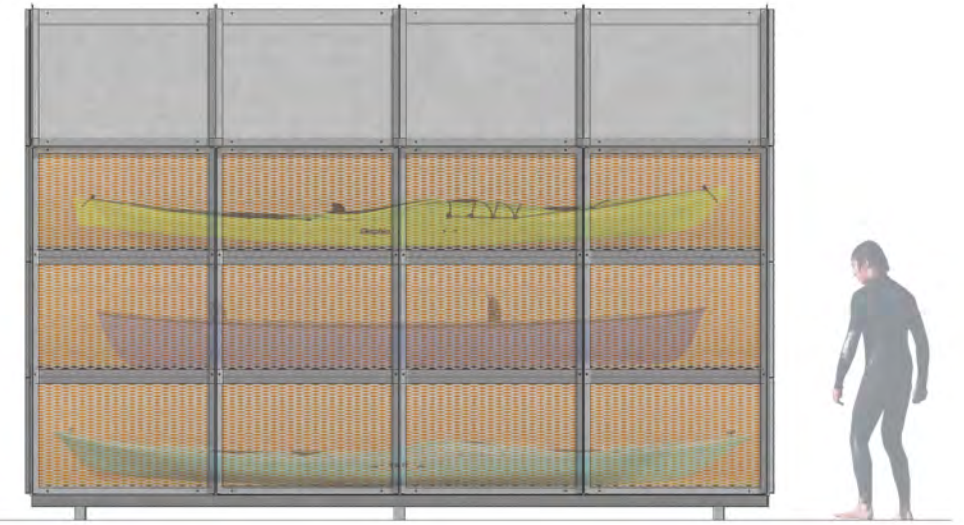
unit C + B + A
~12 FT TALL ABOVE GROUND
6 LOCKERS



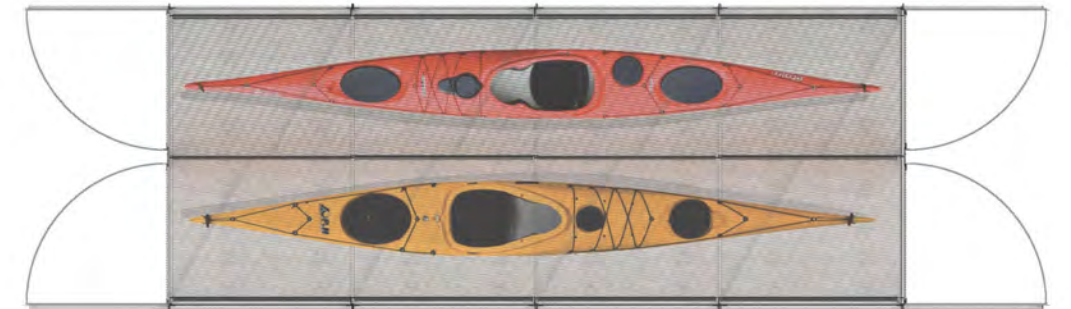
unit C + A
~9 FT TALL ABOVE GROUND
4 LOCKERS



unit A
~6 FT TALL ABOVE GROUND
2 LOCKERS








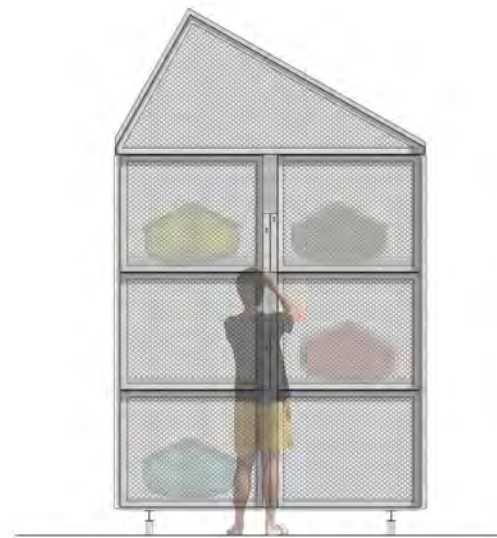
01 | ELEVATION
A1.01 | 1/2" = 1'-0"



01 | PLAN (W/ SITE INSTALLED COMPONENTS)
A1.01 | 1/2" = 1'-0"

CONCEPTUAL COLOR SCHEME
(REFLECTS WATER TRAIL LOGO)

CMYK: 65-40-0-0 RGB: 95-138-199		
CMYK: 0-50-100-0 RGB: 247-148-30		CMYK: 0-100-100-5 RGB: 225-27-34
		
		CMYK: 50-0-100-0 RGB: 141-198-63
		CMYK: 100-60-0-20 RGB: 0-85-150



01 | ELEVATION
A1.01 | 1/2" = 1'-0"



The color panels that divide the interior locker spaces also provide a distinct identity for each trail town. A series of five colors were developed to coordinate with branding efforts already underway.