



# Customer Order Acknowledgement

Terex Utilities, Inc. - 200 Eden Way – Whitehouse, TN 37188 – Phone: 605-882-4000 - Fax: 605-882-1842

Date: 1/13/2023

Company: City of Ann Arbor

Address: 4251 Stone School Road

City, State: Ann Arbor, MI 48108

Contact: CJ Stegink

**All Stock Trucks Are Subject To Prior Sale**

Phone: (734) 646-1846

Email: cstegink@a2gov.org

TEREX Quote #: QU22509

Stock Truck or Slot #: DK82391

Unit: Optima HR55

Sourcwell Contract Number: 110421-TER

Baseline Price: \$600,476

FET Tax Estimate: If Applicable \_\_\_\_\_

Service Center Upfit: \_\_\_\_\_

**Grand Total:** \$600,476

With selected options #1, #2, #3, Total Price: \$612,931.00

Prices are subject to change until shipment. Applicable taxes and surcharges will be added. Taxes, shipping & handling and lead times are estimates and subject to change. Quoted prices are based on total quoted package and subject to change if all items not purchased. All prices quoted are in U.S. dollars unless otherwise specified. Payment by cash or certified check only. Chassis payment is due upon chassis receipt at our facility. Quote withdrawn after 30 days

Please ensure the accuracy of the specifications and drawings you provide. Changes made after receipt of order may incur additional charges. If you are trading equipment in, you warrant that: You have good title to the trade-in; it is free of all liens and encumbrances; all information you have provided related to the trade-in is true and correct.

**Notes:**

- 1) Delivery Terms are: CPT, Shipping Point, prepaid and included
- 2) Terms: Net 30 days
- 3) Delivery days from receipt of order shall be 180 - 240 days


**Buyer hereby submits its offer to purchase the Products in this Quotation, subject to acceptance by Seller. Buyer has read and agrees to all of Seller's attached Terms and Conditions of Sale. Please fax completed form to your Account Manager**

Terex Utilities Inc.  
 \_\_\_\_\_  
 Account Manager:  
Al Owen

Accepted By: \_\_\_\_\_  
 PO Number: \_\_\_\_\_  
 Grand Total: \_\_\_\_\_  
 Date: \_\_\_\_\_

## Options

<b>Date</b>	1/13/23
<b>Quote(s) #</b>	QU22509
<b>Customer Name</b>	Terex Stock - City of Ann Arbor
<b>Customer PO #</b>	

No.	Description	Selling Price	Options:
1	Changing the hydraulic oil to Glacial Blue ILO standard oil	\$1,500	<input type="checkbox"/> Add Option
2	Extended derrick / aerial device warranty, five (5) year, in lieu of standard one year warranty for Terex South Dakota, Inc. installed unit.	\$6,300	<input type="checkbox"/> Add Option
3	First 90 days of travel are included with a new installed unit, the remainder of the five years will be to this working location: City of Ann Arbor 4251 Stone School Rd ANN ARBOR, MICHIGAN 48108	\$4,655	<input type="checkbox"/> Add Option
4	The Viatic system comes standard with a 1-year warranty and three-year telematics.	\$0	Included in Base Price
5	Viatic offers a two year extended warranty to cover year 2 and 3. The customer would purchase that from Viatic anytime within the first year.	\$0	<input type="checkbox"/> Add Option
6		\$0	<input type="checkbox"/> Add Option
7		\$0	<input type="checkbox"/> Add Option
8		\$0	<input type="checkbox"/> Add Option
9		\$0	<input type="checkbox"/> Add Option
10		\$0	<input type="checkbox"/> Add Option
11		\$0	<input type="checkbox"/> Add Option
		Total:	

**TERMS AND CONDITIONS OF SALE**  
**TEREX SOUTH DAKOTA, INC./TEREX UTILITIES, INC.**  
**U.S. and CANADA (except Quebec)**

**1. Terms and Conditions.** The provision by Seller to Buyer of any Equipment or Parts (collectively referred to as “Products”) shall be exclusively governed by these Terms and Conditions of Sale (“Terms and Conditions”) and Seller’s sales order acknowledgement (collectively referred to as “Agreement”). This Agreement cancels and supersedes any and all terms and conditions previously issued by Seller and shall remain in effect unless and until superseded in writing by Seller. Acceptance of an order for Products by Seller shall be deemed to constitute a binding agreement between the parties pursuant to these Terms and Conditions and Buyer agrees that the order may not thereafter be countermanded or otherwise changed without the explicit prior written consent of Seller. No other terms and conditions shall apply, including the terms of any purchase order submitted to Seller by Buyer, whether or not objected to by Seller or whether or not such terms are inconsistent or conflict with or are in addition to these Terms and Conditions. These Terms and Conditions shall be deemed accepted by Buyer if any of the following occurs: (i) if confirmed by Buyer, (ii) if undisputed by Buyer within ten (10) days after receipt, or (iii) if Seller delivers Products to Buyer. Any communication construed as an offer by Seller and acceptance thereof is expressly limited to these Terms and Conditions. The Products are intended for industrial/commercial use by professional contractors and their trained employees and are not intended for use by consumers.

**2. Terms of Payments.** Payment for Products purchased by Buyer shall be made in accordance with any of the following terms, provided they have been previously arranged with and expressly approved by Seller in writing: (1) cash in advance; (2) confirmed, irrevocable letter of credit established in such amount and form and at such time and at such bank as shall be approved by Seller in respect of each order; (3) credit account purchases for which payment will be due and payable on net thirty (30) day terms, plus service and other charges applicable to past due amounts in accordance with Seller’s written notices; or (4) other payment arrangements expressly approved by Seller in writing prior to or at the time the order is placed. If any Buyer credit account purchase is not paid in accordance with Seller’s credit payment terms, in addition to any other remedies allowed in equity or by law, Seller may refuse to make further shipments without advance payment by Buyer. Nothing contained herein shall be construed as requiring Seller to sell any Products to Buyer on credit terms at any time, or prohibiting Seller from making any and all credit decisions which it, in its sole discretion, deems appropriate for Seller. Seller shall have the right, at its option, to charge interest on all amounts not paid when due and Buyer agrees to pay such interest calculated on a daily basis, from the date that payment was due until the Seller receives payment in full, at the rate of 1.5% per month or the maximum rate permitted by applicable law. Unless otherwise agreed in writing between Seller and Buyer, Seller may, in its sole discretion, increase or decrease the price of any Product, as Seller deems reasonably necessary, at any time prior to shipment and invoice Buyer for the same. If Buyer orders the chassis through Seller, the chassis payment is due upon receipt of chassis by Seller and the balance owed for the completed unit is due in accordance with agreed upon payment terms. When supplied by Buyer, Seller will inspect the chassis upon receipt and will notify Buyer of any chassis mounted components (including but not limited to fuel tanks, air tanks, battery boxes and exhaust systems) that require relocation. Buyer will be invoiced for such work upon completion of the finished Equipment.

**3. Taxes and Duties.** Unless otherwise noted, prices quoted do not include taxes or duties of any kind or nature. Buyer agrees that it will be responsible for filing all tax returns and paying applicable tax, duty, export preparation charge and export documentation charge resulting from the purchase of the Products. In addition, in the event any other similar tax is determined to apply to Buyer’s purchase of the Products from Seller, Buyer agrees to indemnify and hold Seller harmless from and against any and all such other similar taxes, duties and fees. All prices quoted are U.S. dollars unless otherwise specified. The amount of any present or future taxes applicable to the sale, transfer, lease or use of the Products shall be paid by Buyer; or in lieu thereof, Buyer shall provide Seller with a tax exemption certificate satisfactory to the applicable taxing authority proving that no such tax is due and payable upon such sale, transfer, lease or use.

**4. Title, Property, Risk and Delivery.** Unless otherwise stated in writing, for all intra-continental United States shipments, all prices and delivery are FCA, point of manufacture (Incoterms 2020); for all other shipments, all prices and delivery are FAS, named port of shipment (Incoterms 2020). Title and all risk of loss or damage to Products shall pass to Buyer upon delivery, as per Incoterms 2020. Any claims for loss, damage or delay in transit must be entered and prosecuted by the Buyer directly with the carrier, who is hereby declared to be the agent of the Buyer. Seller shall not be liable for any delay in performance of this agreement or delivery of the Products, or for any damages suffered by Buyer by reason of delay, when the delay is caused, directly or indirectly, by a force majeure event described in Section 20 herein or any other cause beyond Seller’s control. Claims for shortages in shipments shall be deemed waived and released by Buyer unless made in writing within five (5) days after Buyer’s receipt of shipment. Seller’s responsibility for shipment shall cease upon delivery of the Products to the place of shipment, and all claims occurring thereafter shall be made to or against the carrier by Buyer. Delivery shall generally be 240 to 270 days after receipt by Seller of a signed Order, provided that, where applicable: (1) Seller receives the chassis a minimum of 90 days prior to scheduled delivery, (2) drawings are timely sent by Buyer and the approved drawings are returned to Seller by Buyer by the requested date, (3) all vendor-supplied components and Buyer-supplied accessories are received by Seller by the date necessary to comply with scheduled delivery. Seller shall not be liable for any delay in performance of this agreement or delivery of the Products, or for any damages suffered by Buyer by reason of delay, when the delay is caused, directly or indirectly, by a force majeure event described in Section 20 herein or any other cause beyond

Seller's control. Claims for shortages in shipments shall be deemed waived and released by Buyer unless made in writing within fifteen (15) days after Buyer's receipt of shipment. Seller's responsibility for shipment shall cease upon delivery of the Parts and or Equipment to the place of shipment, and all claims occurring thereafter shall be made to or against the carrier by Buyer.

**5. Delays Caused By Buyer.** In the event of a delay in shipment or delivery due to delay by Buyer in furnishing delivery instructions, arranging a method of payment satisfactory to Seller, submitting valid import permits or licenses, or any other delay caused by Buyer or at Buyer's request, if the Products are not shipped or delivered within five (5) days from the first date they are ready to be shipped or delivered, then Seller shall be entitled to charge, as compensation, any additional costs incurred related to such delay. If the Products are not shipped or delivered by the date which is ten (10) days from the first date they are ready to be shipped or delivered, then Buyer's order shall be deemed cancelled and Seller may, in its sole discretion, sell such Products to another buyer without any liability or responsibility to Buyer whatsoever. Seller shall have the right to keep payments on account already received from Buyer, and the difference between the sales price (increased by any other and all further costs, including but not limited to attorney's fees and expenses, storage and other costs, and interest accrued thereon) and the price received from another buyer shall constitute a debt of Buyer and bear interest at the same rate set forth in Section 2 herein. Seller shall be entitled to claim for any further damages suffered as a consequence of Buyer's breach of its obligations hereunder.

**6. Cancellation.** Prior to delivery to place of shipment, a Product order may be cancelled only with Seller's prior consent and upon terms indemnifying Seller from all resulting losses and damages. Seller shall have the right to cancel and refuse to complete a Product order if any term and/or condition governing this agreement is not complied with by Buyer. In the event of cancellation by Seller, or in the event Seller consents to a request by Buyer to stop work or to cancel the whole or any part of any order, Buyer shall, in the event that Seller asks Buyer to do so, make reimbursement to Seller, as follows: (i) any and all work that can be completed within thirty (30) days from date of notification to stop work on account of cancellation shall be completed, shipped and paid in full; and (ii) for work in progress and any materials and supplies procured or for which definite commitments have been made by Seller in connection with the order, Buyer shall pay such sums as may be required to fully compensate Seller for actual costs incurred, plus fifteen percent (15%). Buyer may not cancel any order after Seller's delivery to place of shipment. Orders for "Special" Equipment may not be cancelled after acceptance, except by Seller. Items of "Special" Equipment are those that differ from standard Seller specifications, have a limited market, or incorporate specifications that have been determined for a specific application. Determination of whether an item of Equipment is "Special" shall be made by Seller in its sole discretion.

**7. Inspection and Acceptance.** Buyer agrees that it shall inspect the Products immediately after receipt and promptly (in no event later than fifteen (15) days after receipt) notify Seller in writing of any non-conformity or defect. Buyer further agrees that failure to give such prompt notice or the commercial use of the Products shall constitute acceptance. Acceptance shall be final and Buyer waives the right to revoke acceptance for any reason, whether or not known by Buyer at the time of such acceptance. The giving of any such notice by Buyer shall automatically cause the provisions of Seller's warranty to apply and govern the rights, obligations and liabilities of the parties with respect to such nonconformity or defect, provided under no circumstances shall rejection give rise to any liability of Seller for incidental or consequential damages or losses of any kind. Seller shall not be bound by any agent's, employee's or any other representation, promise or inducement not set forth herein. Seller's catalogues, technical circulars, price lists, illustrations, drawings and any other similar literature are for Buyer's general guidance only and the particulars contained in them shall not constitute representations by Seller and Seller shall not be bound by them.

**8. Warranty for New Products.** Seller warrants its new Equipment and Parts manufactured and sold worldwide, to be free, under normal use and service, of any defects in material or workmanship for a period of twelve (12) months from the date of delivery (as limited by Seller's Limited Product Warranty); provided that Buyer sends Seller written notice of the defect within thirty (30) days of its discovery and establishes that: (i) the Equipment has been operated and maintained in strict compliance with Seller's operating and maintenance manuals ; and (ii) the defect did not result in any manner from the intentional or negligent action or inaction of Buyer, its agents or employees and (2) a new machine registration certificate has been completed, signed and delivered to the Seller within thirty (30) days of the Equipment's "in-service" date. If requested by Seller, Buyer must return any defective Product to Seller's manufacturing facility, or other location designated by Seller, for inspection, and if Buyer cannot establish that conditions (i) and (ii) above have been met, then this warranty shall not cover the alleged defect. Failure to give written notice of defect within such period shall be a waiver of this warranty and any assistance rendered thereafter shall not extend or revive it. Accessories, assemblies and components included in the Products of Seller, which are not manufactured by Seller, are subject to the warranty of their respective manufacturers. This warranty shall not cover any item on which serial numbers have been altered, defaced or removed. Maintenance and wear parts are not covered by this warranty and are the sole maintenance responsibility of Buyer. This warranty is limited to the original purchaser or end-user if sold to a distributor, and is not assignable or otherwise transferable without written agreement of Seller. **THIS WARRANTY IS EXPRESSLY IN LIEU OF AND EXCLUDES ALL OTHER WARRANTIES, EXPRESS OR IMPLIED (INCLUDING THE WARRANTIES OF MERCHANTABILITY AND FITNESS FOR A PARTICULAR PURPOSE) AND ALL OTHER OBLIGATIONS OR LIABILITY ON SELLER'S PART. THERE ARE NO WARRANTIES THAT EXTEND BEYOND THE LIMITED WARRANTY CONTAINED HEREIN.** Seller neither assumes nor authorizes any other person to assume for Seller any other liability in connection with the sale of Seller's Products. This

warranty shall not apply to any of Seller's Products or any part thereof which has been subject to misuse, alteration, abuse, negligence, accident, acts of God or sabotage. No action by either party shall operate to extend or revive this limited warranty without prior written consent of Seller.

**9. Warranty for Used Equipment.** Used Equipment sold hereunder is sold on an "AS IS, WHERE IS, WITH ALL FAULTS" BASIS WITH NO WARRANTIES WHATSOEVER, EXCEPT AS TO TITLE, UNLESS OTHERWISE SPECIFICALLY AGREED IN WRITING BY BUYER AND SELLER. SELLER ASSUMES NO RESPONSIBILITY FOR THE CONDITION, SAFETY, LEGAL COMPLIANCE, OR USABILITY OF THE USED EQUIPMENT AND MAKES NO REPRESENTATION OR WARRANTY, EXPRESS OR IMPLIED, WITH RESPECT TO THE USED EQUIPMENT INCLUDING, WITHOUT LIMITATION, ANY IMPLIED WARRANTY OF MERCHANTABILITY OR FITNESS FOR A PARTICULAR PURPOSE. SELLER MAKES NO REPRESENTATION OR WARRANTY REGARDING THE CONDITION OF THE USED EQUIPMENT, NOR THE SUFFICIENCY OF ANY WARNINGS, INSTRUCTIONS OR MANUALS PROVIDED WITH THE USED EQUIPMENT. Seller recommends and Buyer acknowledges that Buyer should contact the original manufacturer to obtain all available information for the used Equipment, including but not limited to product manuals, warnings, safety bulletins, recall notices, and instructional placards before using the used Equipment. Seller shall not be responsible for providing such information. Buyer agrees not to assert any claims against Seller with respect to the used Equipment or its use. Buyer agrees that it shall inspect the used Equipment prior to issuance of a purchase order for such Equipment and acknowledges that it is not relying upon any photographs, images, videos, representations, statements or other assertions made by Seller with respect to the used Equipment's condition, but is relying upon its own knowledge and/or inspection of the used Equipment.

**10. Remedies for Breach.** IN THE EVENT OF ANY BREACH OF THE WARRANTY BY SELLER, THE PARTIES AGREE THAT SELLER'S LIABILITY SHALL BE LIMITED EXCLUSIVELY TO THE REMEDIES OF REPAIR OR REPLACEMENT (AT SELLER'S SOLE DISCRETION) OF ANY DEFECTIVE EQUIPMENT COVERED BY THE WARRANTY. In no event shall any repair or replacement of any defective equipment covered by the Seller's warranty extend the length of the warranty beyond the period specified in Section 8 herein.

**11. Limitation of Liability.** NOTWITHSTANDING ANYTHING CONTAINED IN THIS AGREEMENT TO THE CONTRARY, SELLER AND ITS AFFILIATES SHALL NOT BE LIABLE FOR, AND SPECIFICALLY DISCLAIM, ANY LIABILITY FOR ANY: (A) LOST PROFITS AND/OR BUSINESS INTERRUPTION (WHETHER DIRECT OR INDIRECT); AND (B) INDIRECT, INCIDENTAL, CONSEQUENTIAL (WHETHER DIRECT OR INDIRECT) OR OTHER DAMAGES OR LOSSES OF ANY KIND WHATSOEVER, including, without limitation, labor costs, lost profits, loss of use of other equipment, third party repairs, personal injury, emotional or mental distress, improper performance or work, penalties of any kind, loss of service of personnel, or failure of Products to comply with any federal, state, provincial or local laws, regardless of whether arising from a breach of contract, or warranty, legal claims or otherwise. **Nothing in this Section shall operate to exclude Seller's liability for death or personal injury when directly related to Seller's negligent act or omission.**

**12. Limitation of Actions.** Any action for breach of this agreement must be commenced within one (1) year after the cause of action has accrued.

**13. Specification Changes.** In the event Seller incurs additional expense because of changes in specifications or drawings previously approved by Buyer, or in the event Seller is required to modify the ordered Equipment, perform any additional work or supply any additional Products, the additional expense shall be added to the purchase price. Buyer must submit to Seller a revised purchase order specifying any and all requested changes. Upon receipt of Buyer's revised purchase order, Seller shall have the right, in its sole discretion, to accept or reject any changes in specifications requested by Buyer.

**14. Trade-in Offers.** Trade-in offers are subject to Seller's inspection and acceptance of the equipment, which must have been maintained to U.S. Department of Transportation operating and safety standards. All accessories on the equipment, including without limitation jibs, winches, pintle hooks and trailer connectors, must remain with the equipment unless otherwise agreed by Seller and Buyer in writing. Seller reserves the right to cancel any trade-in offers or agreements if these conditions are not met, or if Buyer has misrepresented any information about the trade-in unit.

**15. Insurance.** Until the purchase price of any Products is paid in full, the Buyer shall provide and maintain insurance equal to the total value of the Equipment delivered hereunder against customary casualties and risks; including, but not limited to fire and explosion, and shall also insure against liability for accidents and injuries to the public or to employees, in the names of Seller and Buyer as their interest may appear, and in an amount satisfactory to Seller. If the Buyer fails to provide such insurance, it then becomes the Buyer's responsibility to notify the Seller so that the Seller may provide same; and the cost thereof shall be added to the contract price. All loss resulting from the failure to affect such insurance shall be assumed by the Buyer.

**16. Patents, Copyrights, Trademarks, Confidentiality.** No license or other rights under any patents, copyrights or trademarks owned or controlled by Seller or under which Seller is licensed are granted to Buyer or implied by the sale of Products hereunder. Buyer shall not identify as genuine products of Seller products purchased hereunder which Buyer has treated, modified or altered in any way, nor shall Buyer use Seller's trademarks to identify such products; provided, however, that Buyer may identify such products as utilizing, containing or having been manufactured from genuine products

of Seller as treated, modified or altered by Buyer or Buyer's representative, upon prior written approval of Seller. All plans, photographs, designs, drawings, blueprints, manuals, specifications and other documents relating to the business of Seller ("Information") shall be and remain the exclusive property of Seller and shall be treated by Buyer as confidential information and not disclosed, given, loaned, exhibited, sold or transferred to any third party without Seller's prior written approval; provided, however, that these restrictions shall not apply to Information that Buyer can demonstrate: (a) at the time of disclosure, is generally known to the public other than as a result of a breach of this Agreement by Buyer; or (b) is already in Buyer's possession at the time of disclosure by from a third party having a right to impart such Information.

**17. Default and Seller's Remedies.** In the event of default by Buyer, all unpaid sums and installments owed to Seller, shall, at Seller's sole option, become immediately due and payable without notice of any kind to Buyer. In addition to its right of acceleration, Seller may pursue any and all remedies allowed by law or in equity, including but not limited to any and all remedies available to it under the Delaware Uniform Commercial Code. In addition to the foregoing, and not in limitation thereof, Seller shall have the right to set off any credits or amounts owed to Buyer against any amounts owed by Buyer to Seller.

**18. Indemnification by Buyer.** Buyer hereby agrees to indemnify, release, defend and hold harmless Seller, its directors, officers, employees, agents, representatives, successors, and assigns against any and all suits, actions or proceedings at law or in equity (including the costs, expenses and reasonable attorney's fees incurred in connection with the defense of any such matter) and from any and all claims demands, losses, judgments, damages, costs, expenses or liabilities, to any person whatsoever (including Buyer's and Seller's employees or any third party), or damage to any property (including Buyer's property) arising out of or in any way connected with the performance or the furnishing of Products under this agreement, regardless of whether any act, omission, negligence (including any act, omission or negligence, relating to the manufacture, design, repair, erection, service or installation of or warnings made or lack thereof with respect to any Products furnished hereunder) of Seller, its directors, officers, employees, agents, representatives, successors or assigns caused or contributed thereto. If Buyer fails to fulfill any of its obligations under this paragraph or this agreement, Buyer agrees to pay Seller all costs, expenses and attorney's fees incurred by Seller to establish or enforce Seller's rights. The provisions of this paragraph are in addition to any other rights or obligations set forth in this agreement.

**19. Installation.** Unless otherwise expressly agreed in writing, Buyer shall be solely responsible for the installation and erection of the Products purchased. Although Seller may in some cases provide a serviceman, data and drawings to aid Buyer with installation or start-up, Seller assumes no responsibility for proper installation or support of any Products when installed and disclaims any express or implied warranties with respect to such installation and support. Notwithstanding whether data and drawings are provided or a serviceman aids in the installation, Buyer shall indemnify and hold Seller harmless and at Seller's request, defend Seller from all claims, demands or legal proceedings (including the costs, expenses and reasonable attorney's fees incurred in connection with the defense of any such matter) which may be made or brought against Seller in connection with damage or personal injury arising out of said installation or start-up.

**20. Force Majeure.** Seller shall not be liable to Buyer or be deemed to be in breach of this agreement by reason of any delay in performing, or any failure to perform, any of Seller's obligations in relation to the Products if the delay or failure was due to any cause beyond the reasonable control of Seller including (without limitation) strike, lockout, riot, civil commotion, fire, accident, explosion, tempest, act of God, war, epidemic, stoppage of transport, terrorist activity, supply shortage or changes in government, governmental agency, laws, regulations or administrative practices.

**21. Anti-Corruption; Export Controls; No Boycotts.** Buyer agrees that it shall, and that any party retained or paid by the Buyer ("Retained Party") shall, comply with all applicable laws including, but not limited to, laws prohibiting public corruption and commercial bribery. Buyer further agrees that it shall, and that any Retained Party shall, comply with all applicable export controls, economic sanctions, embargoes and regulations regarding the export, re-export, shipment, distribution and/or sale of Products, technology, information or warranty related services. Buyer further agrees that it shall not, and any Retained Party shall not, export or re-export Products, technology, information or warranty related services directly or with its knowledge indirectly into Iran, Sudan, Cuba, Syria, North Korea, the Crimea Region of the Ukraine or Russia without Buyer first obtaining written approval from Seller. Failure to comply strictly with this section and all applicable laws, regulations and licensing/approval requirements shall be grounds for immediate termination of this agreement by Seller. Notwithstanding anything to the contrary contained in any agreement between the Buyer and Seller or in any other document or agreement relating to the Products sold hereunder, Seller will not comply with requests related to the boycott of any country or other jurisdiction, except to the extent such boycott is required by or otherwise not inconsistent with United States law.

**22. Telematics.** If a telematics system is included with the Equipment, the telematics system is administered by a third party ("Teleservice Provider") and collects a range of operational data about the Equipment including, but not limited to, usage, performance and reliability. Buyer consents to Seller's obtaining such data from the Teleservice Provider for warranty, product improvement, marketing and customer support purposes and to Seller's management and reporting of data (personal and non-personal) about the Equipment including, but not limited to, fuel consumption, up/down times, operation, defects, parts replacement, movement and location. Buyer shall, to the extent required by applicable law, obtain consent from its customers and/or any third party for Seller and/or third parties to provide teleservices and data to Buyer. Buyer shall

comply with all applicable laws relating to the provision of teleservices. Buyer agrees to be bound by the current version of the Terex Telematics Terms of Use at <https://www.terex.com/en/products/telematics-tou>.

**23. Construction and Severability.** These Terms and Conditions of Sale constitute the entire agreement between the parties regarding the subject matter hereof and shall be construed and enforced in accordance with the laws of Delaware. The United Nations Convention on Contracts for the International Sale of Goods (1980) (CISG) shall not apply. The invalidity or unenforceability of any provisions of this agreement shall not affect any other provision and this agreement shall be construed in all respects as if such invalid or unenforceable provision were omitted.

**24. Jurisdiction.** The parties agree that the proper and exclusive forum and venue in all legal actions brought to enforce or construe any provisions herein shall be in United States District Court, District of Delaware or, if federal jurisdiction is lacking in such action, in New Castle County Superior Court in Delaware.

**25. No Assignment.** No rights arising under this agreement may be assigned by the Buyer unless expressly agreed to in writing by the Seller.

**26. No Set-off.** Buyer shall have no right to set-off any amounts it may owe Seller against amounts Seller may owe Buyer under this or any other agreement between Buyer and Seller.

**27. Miscellaneous.** Buyer represents that: (i) it is solvent and has the financial ability to pay for the Equipment and Parts purchased hereunder and (ii) it has all requisite right, power and authority to perform its obligations under this agreement.

Buyer's Initials: \_\_\_\_\_



Terex Utilities, Inc.  
3140 15<sup>th</sup> Ave SE, Watertown, SD 57201  
Phone: 605-882-4000 Fax: 605-882-1842

08/22/2022

Quote Number: QU22509-02

**TEREX STOCK**  
3140 15TH AVE SE  
WATERTOWN, SD 57201  
Attention:

Phone:

**Qty. Description**

UNIT

- 1 One (1) new Terex Hi-Ranger Optima HR55 insulated overcenter aerial device providing a working height of 60.0 ft (18.3 m) and a side reach of 48.2 ft (14.7 m) overcenter and a horizontal reach of 42.8 ft (13.0 m) non-overcenter.

**Design Criteria:**

\* Design criteria is in accordance with current industry and engineering standards applicable and accepted for structural and hydraulic design.

**Turntable:**

\* A self locking worm gear rotation drive is provided and equipped with a bi-directional motor.

**Continuous & Unrestricted Rotation:**

\* A hydraulic rotary manifold provides a rotating oil distribution system for continuous and unrestricted rotation.

\* A minimum 6-channel electric collector ring is also provided.

**Hydraulic System:**

\* Full pressure open center hydraulic system.

\* Hydraulic hoses are equipped with permanent type hose fittings.

**Miscellaneous:**

\* A load chart stating actual lifting capacity considering all final options, chassis, body, outriggers, and other fixed equipment with final readings based on completed unit stability is standard.

\* All metallic components of the complete aerial device are powder coat white.

\* The fiberglass upper boom lower boom insert platforms and covers are white.

\* Two complete manuals providing operation and maintenance procedures and a replacement parts listing.

\* Warning decals are provided with unit.

- 1 The pedestal is designed with access holes for maintenance of hydraulic plumbing.
- 1 Boom with 116 degree lower boom articulation to ground access in the non-overcenter position.

**Lower Boom:**

\* Filament wound high strength fiberglass insert providing an insulation gap.



## Qty. Description

### Upper Boom:

\* Filament wound tapered fiberglass boom providing a clear span insulation gap.

### Leveling Chain:

Extended life leveling chain.

1 Automatic latch upper boom rest.

1 Boom Tip with Hydraulic Platform Rotator:  
Upper Controls: "Control-Plus" single stick controller.  
\* Enable lever must be actuated before operation.

The platform rotator offering 105 degrees of forward rotation.

### Platform Leveling:

\* Platform leveling control is located at the top controls for ease of personnel rescue and platform debris clean out.

Hydraulic Platform Tilt is provided at platform and lower controls.

Engine Stop/Start controlled at platform and lower controls.

### Engine Throttle Advance:

\* An automatic two speed engine throttle control is provided and shall advance the engine to a pre-set speed when the single stick enabling lever is engaged and decrease when it is disengaged.

### Dual Hydraulic Tool Outlets At Platform With Flow Control:

\* Installed at the platform to accommodate two open center hydraulic tools.

\* Tools cannot be operated simultaneously.

\* Includes port reliefs to limit pressure to 2250 psi.

\* Quick disconnect couplers.

### Lower Controls:

\* Individual control levers are provided and located in an accessible location on the turntable.

\* An upper/lower control selector provides override of platform controls.

\* Winch control at the lower controls.

1 Aerial device is designed as a Category C machine in accordance and is dielectrically tested and rated for operation on systems up to 46 KV phase to phase per ANSI/SIA A92.2-2015

1 Demand Throttle Disable:  
\*Feature disables the Demand Throttle feature so that aerial device runs at low idle speed at all times.

1 Side Mounted Fiberglass Platform 24" x 48" x 42": (Curbside)  
\* Includes (2) two outside access steps with a slip-resistant surface.

1 Two safety harnesses with lanyard is provided for fall arrest.

**Qty. Description**

- 1 A padded saddle rest provides platform support during road travel.
- 1 Insulated Platform Liner For 24" x 48" x 42" Platform:
  - \* Tested at 50 KV AC.
- 1 Vinyl Platform And Control Cover For 24" x 48" Platform:
  - \* Waterproof with internal cord around edge with ratchet and external elastic cord around control cover.
- 1 Platform capacity rated up to 700-lbs and load chart.
- 1 Simplified Compact Hydraulic Extend Under Load Jib and Winch:
  - \* Infinite positioning through the 120-degree articulation envelope (-20 to +105 degrees)
  - \* Load radius of 0 to 65"
  - \* Hydraulic Extension to reposition the jib (no re-pinning required).
  - \* The jib's compact size barely goes below the bottom of the platform.
  - \* Includes a 2000 lb. full drum capacity self-locking worm gear winch complete with 1/2" x 75' load line with swivel hook and latch and a load chart.
- 1 Auxiliary Let Down for use with Open Center Hydraulics:
  - \* Allows for the descent of the boom (platform) in the most direct manner for a time limited by the duty cycle of the electric motor.
  - \* Includes 12 volt electric motor for use on a 12 volt chassis.
  - Note: This includes a switch for activation at pedestal for electric or air function.
- 1 Terex Advanced Chassis Controller:
  - \* Multiplexed system to include: Controller, LCD Screen, Manual and Schematics.
  - \* Standard Options: Diagnostics, Status Screens, Event Log, Hours Meter, Selectable Button Labels, System Alerts and System Test.
  - \* Programmable settings allow installer to customize/select options need for their application.
  - \* Screw terminal-type connections and enclosure to cover connections.
  - \* Recommended on Class 6 and above chassis with multiple outputs
  - \* The PTO hour is standard. The engine hour meter is standard (When available). This is a message we get from the truck Data link. All trucks except Ford give us the Engine hours. So if it's a Ford, we just display PTO hours.
- 1 A 30 gallon hydraulic oil reservoir is provided and includes a 100 mesh filter, a 10u return filter and a ball type shut off valve.
- 1 Subframe constructed with an open center.
- 1 Tie Down Kit.
- 1 Extra Heavy Duty A-Frame Outriggers with swivel type stabilizer pads. (8348)
- 1 Extra Heavy Duty A-Frame Outriggers with swivel type stabilizer pads. (8348)
- 1 Controls For 2-Sets Of Outriggers And Auxiliary Tool Outlets (Open center systems):
  - \* Recessed at rear of truck each side for ease of view for outrigger placement.

**Qty. Description**

- \* Includes switches and alarm for outrigger in motion alarm.
- 1 Adjustable flow divider for auxiliary tool outlets below rotation.
- 1 Outrigger Interlock:
  - \* To operate the boom the outriggers must be extended.
- 1 Pump for systems requiring 14 gallons per minute:
  - \*Fixed displacement vane pump providing 6 gallons per minute at 700 engine rpm and 12 gallons per minute at 1400 engine rpm with a 95% pto.
- 1 HyPower SmartPTO - Viatec 28.8KWH
  - \* Enclosure to sit on top of flatbed or top of Body.
  - \* Telematics - One year subscription, remote monitoring, over the air software updates, and remote
  - \* 1300W Level 1 (120V AC) Charger - Requires standard 3 prong NEMA 5-5 outlet, 15A rated and a 20' drop cord.
  - \* Integrated battery heater, when the system is plugged in, the system will heat batteries when temperature approaches freezing.
- 1 6000W Level II (240 AC) Charger
- 1 American flag displayed on unit.
- 1 Factory Warranty
- \*\* ALTERED FROM STANDARD \*\*
- 1 .
- BODY, INSTALLATION
- \*\* BODY INFORMATION \*\*
- 1 192 inch aluminum line body.
- 1 Install Aerial Device Over Rear Axle And Install All Associated Components:
  - \* Final test and inspect completed unit including stability and dielectric testing per manufacturers requirements.
- 1 Hose and fittings to connect the hydraulic system from the oil reservoir to the pump and unit.
- 1 Platform rest, bottom base
- 1 DOT Inspection.
- 1 Set chassis parameters.
- 1 Back-up alarm to sound when the vehicle is shifted into reverse.
- 4 Laminated wood outrigger pad 24" x 24" x 2-1/4" with rope handle.

**Qty. Description**

\* Includes outrigger pad storage.

- 4 Pendulum style retainer.
- 4 Rubber wheel chocks with eye bolt.
- 4 Pendulum style retainer.
- 1 Cone holder
  - Bolt on style
  - Mounted under streetside tailshelf
  - Terex PN: 65386933
- 2 Wire reel holder
  - Bolt on style
  - Mounted between platform rest uprights
  - Terex PN: 65386585
- 1 Grab handles as necessary for 3-point contact.
- 1 Access steps to platform from top of body or flatbed floor.
  - Terex PN: 65375949 and 65378021
- 2 Mud flap with logo 30" tall.  
Note: Trim As-Required.
- 1 Under body mounting kit for a pair of mud flaps.
- 1 Bracket for storing grounding cable.
- 1 2/0 Black Electrical Cable used for grounding per ASTM F855-04:
  - \* 50' of multi-strand flexible copper cable, three grounding lugs, two ferrules and grounding clamp.
  - \* Three point grounding system for grounding vehicle during work operations.
  - \* Cable must be fully removed from bracket before use.
  - NOTE! Purchaser to verify this meets their company's requirements for fault current.
- 1 Grounding Loop Kit:
  - \* Consists of (2) grounding copper rings located one at front and one at rear.
- 1 Boom Rest:
  - \* H-Frame
  - \* Aerial
  - \* P#: 65381010
- 1 Peterson LED 7-lamp DOT Lighting Package:

**Qty. Description**

\* Complies with FMVSS 108.

\* Includes required lights, junction box and wiring harness.

- 1 Lighted license plate bracket kit with LED light.
  - 2 Amber strobe light (LED) with 4" tall & 6" dia. lens, and branch guard.
  - 4 Amber strobe lights - surface mount style
    - (2) mounted in front grill
    - (2) mounted in rear light bar
    - Terex PN: 65323023
  - 1 Strobe mounting bracket.
  - 1 Strobe and Golight mounting bracket.
  - 1 Golight 20004 LED spotlight, hand held remote and white in color.
    - \* Mounted on curbside of boom rest.
  - 1 Remote engine stop/start OR two speed control from rear of vehicle.
  - 1 ICC rear bumper.
  - 1 Oil tank mounting for external reservoirs.
  - 45 Fill with Hydraulic oil for general purpose use.
    - \* Refer to the product maintenance manual for specific type to be used.
  - 1 Safety Kit consists of the following:
    - \* 5-lb ABC fire extinguisher with bracket.
    - \* James King triangle reflector kit.
  - 1 Pro-Vision backup camera kit:
    - Note: Camera only, 2.5 inch.
  - 1 Paint body floor with non-skid paint.
  - 1 Paint compartment top with non-skid paint.
- CHASSIS
- \*\* CHASSIS INFORMATION \*\*
- 1 International eMV607 4X2 chassis per attached specifications.
- SPECIAL CHARGES
- 1 Freight

1. Federal Excise Tax will be added if certificate is not supplied with order.
2. The following items must be considered by the purchaser if not already included:  
Back-up Alarm; Strobe Light; Wheel Chocks; Outrigger Pads; Truck Grounding Cable;  
Barricade Kit; Boom Stow Interlock; Auxiliary Let Down; and Platform Liner.
3. Terex Utilities, Inc. strongly recommends all installation accessories be located up front in front in the quote or secondarily on the approved engineering drawing. Any accessories located or relocated during manufacturing may be subject to additional charges.
4. Terex Utilities, Inc. - Offers In-service Training.
5. Terex Utilities, Inc. - Assembly in Watertown, South Dakota is ISO 9001:2000 Certified.

Aluminum Terex Line Body

192 Inches Long x 46 Inches High x ,94 Inches Wide  
Chassis Cab to Axle (CA) of 150 Inches

- Bodies with one set of jack legs to have lifting eye and body shipping stands
- 16 gauge front bulkhead – Ship loose (unless specified)
- Wheel chock holders are to be installed ½" forward and ½" rearward of cutout
- All bulkheads to have pin access cutout/ cover when A-frame jack is ahead or behind bulkhead, x-frame jacks will not get pin access cutout/ cover

**Body Dimensions:**

192	Inches - Body Length
46	Inches - Body Height
94	Inches - Body Width
150	Inches - Chassis C/A
46	Inches - Compartment Height
18	Inches - Compartment Depth
58	Inches - Load Space Width
25	Inches - Top of Body to Top of Floor Dimension
24	Inches - Horizontal Compartment Height
N/A	Inches - Wheel Box Height

**Body Materials:**

13 ga AL	- Main Body Material
1/8" AL Treadbrite	- Compartment Tops Material
1/8" AL	- Wheel Panels Material
1/8" AL	- Front Bulkhead Material
18 ga Galvanized	- Shelving Material
Adjustable on Dual Unistrut	- Shelving Mounting Style
	<b>OPTIONS</b>
No	- Front Rock Guards Material
No	- Wheel Well Liners Material
No	- Bed Area Wall Liners Material

**Other Body Details:**

- Removable .125 Aluminum Smooth Panel installed below CS 2nd and 3rd verticals

**Door Materials:**

Standard, Double Panel	- Door Type
16 ga AL	- Inner Door Material
16 ga AL	- Outer Door Material
Aluminum Rod & Socket	- Door Hinge Style
5/16" AL	- Door Rod Material
Chain	- Vertical Door Holder Option
Chain	- Horizontal Door Holder Option
Single Point Rotary (Stainless Steel)	- Latch Type
	Keyed Alike - Lock Type
	- Wrap Around Striker with Rounded Corners

**Other Door Details:**

**Floor and Understructure:**

3/16" AL Treadbrite	- Bed Area Floor Material
Optima TC55	- Unif Cutout in Floor
Stringer	- Body Frame Style
Structural	- Body Frame Material
3 Inch Crossmembers	- Body Frame Height
4 Inch Aluminum Long Sill Channels	

**OTC55 4x2 Subframe**

**Welded and Wet Painted Black Subframe Assembly**

- For use with Optima TC55 installed on 4 X 2 Chassis
- Body will be installed on Subframe prior to Shipment with the following:
  - Qty. 4 HBOLT 5/8"-11 x 2.5" GR5 ZP (#15313)
  - Qty. 4 USS Flat Washer 5/8" x 1.75" ZP (#33016)
  - Qty. 4 NUT, Nylon Lock, 5/8"-11" ZP (#37188)
- Terex Supplied Parts:
  - Qty. 1 Subframe Weldment (#1000138) Weld On / Installed
  - Qty. 1 Socket / Wrapper (#616921) Weld On / Installed
  - Qty. 1 Front Plate (#429240) Weld On / Installed
  - Qty. 2 Shear Plates (#427716) Weld On / Installed
  - Qty. 1 A-Frame Front Jack (#471654) Weld On / Installed
  - Qty. 1 A-Frame Rear Jack (#471654) Weld On / Installed
  - Qty. 4 Vertical Bolt Subframe Tie Down Brackets (#496673) Weld On / Installed
- Supplied Parts:
  - Qty. 2 Front Body Mount Angles (#36151IH) Weld On / Installed
  - Qty. 1 Grounding Angle (Weld On / Installed)
  - Qty. 2 Rear Body Tie Down Brackets (#36153IH) Weld On / Installed
  - Qty. 1 Strobe Light Wiring Channel (Weld On / Installed)
  - Qty. 1 Round Hose Pass Cut into Subframe
  - Qty. 2 Stud Bolts, 3/4" (#429223) SHIP LOOSE
  - Qty. 1 Subframe Extension with Lightbar Relief (Weld On / Installed)
- Boom Rest #65381010 Provided and Installed
- Rubber puck mounting

**Accessories:**

- Rubber Rolled Crown (PN# 30136) (Installed with Wheel Cut-Outs)
- Automotive Bulb Weatherstripping (PN# 30132) (Installed)
- Master Door Lock, Hook and Loop System on Both Sides with Three (3) Spring Loaded Door Handles

**Paint:**

- Powdercoat Complete; Interior and Exterior, Taffeta White DWS9-20001; PC0020
  - Paint the Complete Bed Area Same as Body
- Subframe and outriggers Painted Gloss Black

**Streetside Compartmentation:****1st Vertical Compartment:**

- 29" Wide x 46" High x 18" Deep Compartment
- Five (5) 1/2" Dia. Locking / Swivel Carriage Bolt Hooks, Adjustable, 1-3-1 Hook Set

**2nd Vertical Compartment:**

- 29" Wide x 46" High x 18" Deep Compartment
- Two (2) Adjustable Shelves
    - Divider Slots on 2" Centers, with Five (5) Adjustable Dividers

**3rd Vertical Compartment:**

- 29" Wide x 46" High x 18" Deep Compartment
- Two (2) Adjustable Shelves
    - Divider Slots on 2" Centers, with Five (5) Adjustable Dividers

**4th Vertical Compartment:**

- 21" Wide x 46" High x 18" Deep Compartment
- Two (2) Adjustable Shelves
    - Divider Slots on 2" Centers, with Three (3) Adjustable Dividers

**Horizontal Compartment:**

- 54" Wide x 24" High x 18" Deep Compartment
- Eight (8) Adjustable Dividers installed on Compartment Bottom

**Rear Vertical Compartment:**

- 30" Wide x 46" High x 18" Deep Compartment
- Five (5) 1/2" Dia. Locking / Swivel Carriage Bolt Hooks, Adjustable, 1-3-1 Hook Set
  - Outrigger Cutout with Cover In this Compartment

**Streetside Hotstick Shelf:**

- 192 Inch Long Shelf Installed on the Streetside with a Rear Dropdown Access Door
- Stainless Steel Automotive Rotary Type Door Latch
    - Stud Mounted Latches to Have Hidden Fasteners Inside the Door
    - Striker Installed in Door Frame for Maximum Opening
    - Stud Mounted Automotive Style Latches Have Interior Plastic Latch Covers
  - Automotive Bulb Type Weatherstripping Mechanically Fastened to Door Frame with Rounded Corners

**Curbside Compartmentation:****Curb Side Access 29" Wide**

- Hinged Gripstrut access steps to bed area with Chain Storage underneath
- One (1) Small Stainless Steel slam style paddle latch.
  - Two (2) Gas assist door openers.
  - Removable Back Wall Plate with Two (2) Louvers
  - 12 gauge galvanized risers and side kickplates.
  - Two (2) grabhandles at the side access of the body PN100148
  - One (1) Rubber belt type access step under the side access steps. (Bolt On / Ship Loose)
    - To have a 1/4" x 4" flat added to bottom of step for mounting cable step
    - Removable Lasered Flat tailgate 4" high installed at top of side access
    - Includes pins and lanyards

**2nd Vertical Compartment:**

- 29" Wide x 34" High x 18" Deep Compartment
- Five (5) 1/2" Dia. Locking / Swivel Carriage Bolt Hooks, Adjustable, 1-3-1 Hook Set

**3rd Vertical Compartment:**

- 29" Wide x 34" High x 18" Deep Compartment
- Two (2) Adjustable Shelves
    - Divider Slots on 2" Centers, with Five (5) Adjustable Dividers

**4th Vertical Compartment:**

- 21" Wide x 46" High x 18" Deep Compartment
- Two (2) Adjustable Shelves
    - Divider Slots on 2" Centers, with Three (3) Adjustable Dividers

**Horizontal Compartment:**

- 54" Wide x 24" High x 18" Deep Compartment
- One (1) Adjustable Shelf
    - Divider Slots on 2" Centers, with Eight (8) Adjustable Dividers



**Rear Vertical Compartment:**

- 30" Wide x 46" High x 18" Deep Compartment
- Five (5) 1/2" Dia. Locking / Swivel Carriage Bolt Hooks, Adjustable, 1-3-1 Hook Set
- Outrigger Cutouts with Covers in this Compartment
- Grounding Bracket: (Installed/ Bolt On to O/R cover)
- 3/16" HR flat with 3/8" round stock hooks.

**Tailshelf:**

- 3/16" AL Treadbrite tail shelf 32 inches long X 94 inches wide x 6 inches high.
- Valve mounting plates below tailshelf

**Tailshelf Rear Lighting:**

- 9-Lamp light bar installed at rear of tail shelf NO LIGHTS

**Wheel Chock Storage:**

- Two (2) built into body fender panel on Streetside and Two (2) curbside.
- Include pendulum retainers

**Bed Area Step: Bolt-on/Installed**

- Bed area step bolted on to 1/2" tapped flats (curbside)
- Painted same as body

**Prepared For:**

**TEREX - # 14723-01 INTL eMV TIERED PURCHASES  
2nd HALF CY 2022**

Sheldon Seward  
600 Oakwood Road  
Watertown, SD 57201-  
(605)882 - 4000  
Reference ID: 14723-01

**Presented By:**

**NORTH CENTRAL INTERNATIONAL**  
Robin Kunz  
4511 NORTH CLIFF  
SIOUX FALLS SD 57104 -  
(605)336-3820

Thank you for the opportunity to provide you with the following quotation on a new International truck. I am sure the following detailed specification will meet your operational requirements, and I look forward to serving your business needs.

**NOTE: THIS PROPOSAL # 14723-01 IS FOR eMV PURCHASES / BUILDS FOR THE 2nd HALF OF CALENDAR YEAR 2022 / MODEL YEAR 2023. BASE PRICE IS FOR TRUCK PURCHASES OF 1-10 TRUCKS. DISCOUNT OF \$ 15,000 PER TRUCK APPLIES IF PURCHASES ARE 11-19 TRUCKS. DISCOUNT OF \$ 25,000 PER TRUCK APPLIES IF PURCHASES ARE 20 OR MORE TRUCKS. ALL TRUCKS MUST BUILD IN CY 2022.**

**NOTE: PRICING IS CURRENT FOR MODEL YEAR 2023 / PRODUCTION CALENDAR YEAR 2022 BUILDS. IF INTERNATIONAL LEVIES ADDITIONAL SURCHARGES DUE TO VENDORS INCREASING PRICING OR GOVERNMENT MANDATES (EPA, ETC.) I WILL NEED TO RE-PRICE THE CHASSIS AT THAT POINT.**

**Model Profile**

**2023 eMV607 SBA (MV60E)**

<b>AXLE CONFIG:</b>	4X2
<b>APPLICATION:</b>	Utility
<b>MISSION:</b>	Requested GVWR: 33000. Calc. GVWR: 33000. Calc. GCWR: 100000 Calc. Start / Grade Ability: 19.34% / 2.90% @ 55 MPH
<b>DIMENSION:</b>	Wheelbase: 217.00, CA: 149.90, Axle to Frame: 100.00
<b>MOTOR, ELECTRIC, DRIVETRAIN:</b>	{Dana TM4 SUMO MD HV2200-6P} 255kW Rated Power @ 1000 RPM, 2355 Nm Rated Torque @ 1000 RPM
<b>AXLE, FRONT NON-DRIVING:</b>	{Dana Spicer D-1201R IADB} I-Beam Type, 12,000-lb Capacity, with Integrated Air Disc Brake Knuckle
<b>AXLE, REAR, SINGLE:</b>	{Dana Spicer S23-172F} Single Reduction, Pinion Up, 23,000-lb Capacity, R Wheel Ends Gear Ratio: 6.83
<b>CAB:</b>	Conventional, Day Cab
<b>TIRE, FRONT:</b>	(2) 11R22.5 Load Range H HSR2 (CONTINENTAL), 498 rev/mile, 75 MPH, All-Position
<b>TIRE, REAR:</b>	(4) 11R22.5 Load Range H HDL2 (CONTINENTAL), 493 rev/mile, 75 MPH, Drive
<b>SUSPENSION, REAR, AIR, SINGLE:</b>	{International IROS} 21,000-lb Capacity, 9.25" Ride Height, with Shock Absorbers Mounted Outside the Rails
<b>PAINT:</b>	Cab schematic 100WP Location 1: 9219, Winter White (Std) Chassis schematic N/A

<u>Code</u>	<u>Description</u>
MV60E00	Base Chassis, Model eMV607 SBA with 217.00 Wheelbase, 149.90 CA, and 100.00 Axle to Frame.
1570	TOW HOOK, FRONT (2) Frame Mounted
1ANA	AXLE CONFIGURATION {Navistar} 4x2
1CAH	FRAME RAILS Heat Treated Alloy Steel (120,000 PSI Yield); 10.375" x 3.705" x 0.438" (263.5mm x 94.1mm x 11.1mm); 456.0" (11582mm) Maximum OAL
1CGM	GVWR LIMITATION FOR FRAME Frame Rails Limited to 33,000 lb Maximum GVWR
1LNN	BUMPER, FRONT Contoured, Steel, Chrome Plated
1MEJ	FRAME, SPECIAL EFFECTS Dimple on Left and Right Top Flange of Frame Rail to Reference Rear Axle Centerline
1SAL	CROSSMEMBER, REAR, AF (1)
1WEJ	WHEELBASE RANGE 199" (505cm) Through and Including 254" (645cm)
2AJX	AXLE, FRONT NON-DRIVING {Dana Spicer D-1201R IADB} I-Beam Type, 12,000-lb Capacity, with Integrated Air Disc Brake Knuckle
3ADC	SUSPENSION, FRONT, SPRING Parabolic Taper Leaf, Shackle Type, 12,000-lb Capacity, with Shock Absorbers
4091	BRAKE SYSTEM, AIR Dual System for Straight Truck Applications
4AZS	AIR BRAKE ABS {Bendix AntiLock Brake System} 4-Channel (4 Sensor/4 Modulator) Electronic Stability Program, with Automatic Traction Control
4EDN	AIR DRYER {Bendix AD-9SI} with Heater, Includes Safety Valve
4SPS	AIR COMPRESSOR {Quanxing} 10.6 CFM, for Electric Vehicle
4VGN	AIR TANK Painted Aluminum, with Straight Thread O-Ring Ports
4VLS	AIR DRYER LOCATION Mounted Outside Right Rail, Inside Compressor Box
4VLT	AIR TANK LOCATION (2) Mounted Right Side, Under Compressor Box
4WRS	COMPRESSOR BOX Steel, with Polished Aluminum Cover, 30" Wide, Mounted Right Side Under Cab
4XCJ	BRAKES, FRONT {Bendix Spicer ADB22X} Air Disc Type, Extended Service, Size 22.5", 23,000-lb Capacity
4XCK	BRAKES, REAR {Bendix Spicer ADB22X} Air Disc Type, Extended Service, Size 22.5", 26,000-lb Capacity per Axle
4XDW	BRAKE CHAMBERS, FRONT AXLE 18 Sqn, for Air Disc Brakes
4XEA	BRAKE CHAMBERS, REAR AXLE 18/24 Sqn Spring Brake, Double Diaphragm, for Air Disc Brakes
5710	STEERING COLUMN Tilting and Telescoping
5CAW	STEERING WHEEL 4-Spoke; 18" Dia., Black
5PRR	STEERING GEAR {TRW (Ross) TAS66} Power
6DGL	DRIVELINE SYSTEM {Dana Spicer} Service Free SPL170, for 4x2/6x2
8000	ELECTRICAL SYSTEM 12-Volt, Standard Equipment
8718	POWER SOURCE Cigar Type Receptacle without Plug and Cord
8HAA	BODY BUILDER WIRING To Rear of Frame, with Stop, Tail, Turn, and Marker Lights Circuits, Ignition Controlled Auxiliary Feed and Ground, Less Trailer Socket

<u>Code</u>	<u>Description</u>
8MWG	BATTERY SYSTEM {Fleetrite 31-PC2120 AGM} Maintenance-Free, (2) AGM 12-Volt 1850CCA Total, Top Threaded Stud
8RMH	BATTERY DISCONNECT SWITCH {Cole-Hersee 75920-06} 300 Amp, Disconnects Charging Circuits, Locks with Padlock, Battery Box Mounted
8RMZ	SPEAKERS (2) 6.5" Dual Cone Mounted in Both Doors, (2) 5.25" Dual Cone Mounted in Both B-Pillars
8RPB	RADIO, AUXILIARY CONTROLS Mounted in Steering Wheel, Radio Function Control Switch, Includes Volume Up/Down, Mute, Forward/Back and Bluetooth Answer/Disconnect
8RPR	ANTENNA for Increased Roof Clearance Applications
8RPS	RADIO AM/FM/WB/Clock/Bluetooth/USB Input/Auxiliary Input
8TLC	BATTERY PACK High Voltage, 210 kWh Total Capacity
8VBE	HORN, ELECTRIC (1) Trumpet Style
8WGL	WINDSHIELD WIPER SPD CONTROL Force Wipers to Slowest Intermittent Speed When Park Brake Set and Wipers Left on for a Predetermined Time
8WPH	CLEARANCE/MARKER LIGHTS (5) {Truck Lite} Amber LED Lights, Flush Mounted on Cab or Sunshade
8WPZ	TEST EXTERIOR LIGHTS Pre-Trip Inspection will Cycle all Exterior Lamps Except Back-up Lights
8WRB	HEADLIGHTS ON W/WIPERS Headlights Will Automatically Turn on if Windshield Wipers are turned on
8WSU	CHARGING PORT Forward Location, for Electric Vehicle
	<u>Includes</u>
	: CHARGING PORT Forward Charging Port Located on Right Rail Behind Cab in Front of the Battery Thermal Management System
8WUC	POWER CONVERTER HV Battery to 12V Battery, with Dual Converters, for Electric Vehicle
8WWJ	INDICATOR, LOW COOLANT LEVEL with Audible Alarm
8WXB	HEADLIGHT WARNING BUZZER Sounds When Head Light Switch is on and Ignition Switch is in "Off" Position
8WXD	ALARM, PARKING BRAKE Electric Horn Sounds in Repetitive Manner When Vehicle Park Brake is "NOT" Set, with Ignition "OFF" and any Door Opened
8XAH	CIRCUIT BREAKERS Manual-Reset (Main Panel) SAE Type III with Trip Indicators, Replaces All Fuses
8XHA	CRUISE DISABLED W/WIPERS Cruise Control will Automatically be Disabled if Windshield Wipers are Turned on when Vehicle Speed Exceeds 25 MPH
8XHN	HORN, AIR Single Trumpet, Black, with Lanyard Pull Cord
8XHR	POWER SOURCE, ADDITIONAL Auxiliary Power Outlet (APO) with USB Port, Located in the Instrument Panel
8XKZ	USB PORT (2) Located in the Instrument Panel
8XLT	ALARM, PARK BRAKE, TIMER Programmable Parameter to Change Alarm Trigger Time
8XNW	BATTERY BOX Aluminum, with Polished Aluminum Cover, 30" Wide, 2 Battery Capacity, Mounted Left Side Under Cab, for Electric Vehicle
8XPA	HEADLIGHTS LED, with Daytime Running Lights, Automatic Twilight Controlled
9AAB	LOGOS EXTERIOR Model Badges
9AAE	LOGOS EXTERIOR, ENGINE Badges
9HDB	GRILLE Molded in Black, with Body Color Surround
9WBN	FENDER EXTENSIONS Painted

<u>Code</u>	<u>Description</u>
9WBW	FRONT END Tilting, Fiberglass, with Three Piece Construction, Dual Air Intakes
9WBZ	BUG SCREEN Mounted Behind Grille and Bumper Grille
10060	PAINT SCHEMATIC, PT-1 Single Color, Design 100
10761	PAINT TYPE Base Coat/Clear Coat, 1-2 Tone
10ADT	COMMUNICATIONS MODULE Telematics Device with Over the Air Programming; Includes Two Year Data Plan
10WUE	MUD FLAPS, FRONT WHEELS (2) Rubber, Mounted on Fender Extension
12703	ANTI-FREEZE Red, Extended Life Coolant; To -40 Degrees F/ -40 Degrees C, Freeze Protection
12AAB	MOTOR, ELECTRIC, DRIVETRAIN {Dana TM4 SUMO MD HV2200-6P} 255kW Rated Power @ 1000 RPM, 2355 Nm Rated Torque @ 1000 RPM
12XCJ	RADIATOR Aluminum, 2-Row, Cross Flow, Four 12" E-Fan System, 595 SqIn Louvered, for Electric Vehicle
14899	SUSPENSION AIR CONTROL VALVE Pressure Release Control In Cab
14ERW	AXLE, REAR, SINGLE {Dana Spicer S23-172F} Single Reduction, Pinion Up, 23,000-lb Capacity, R Wheel Ends . Gear Ratio: 6.83
14TDV	SUSPENSION, REAR, AIR, SINGLE {International IROS} 21,000-lb Capacity, 9.25" Ride Height, with Shock Absorbers Mounted Outside the Rails
16030	CAB Conventional, Day Cab
16ATC	AUTOMATIC CLIMATE CONTROL Automatically Maintains Cabin Comfort Based on Selected Temperature
16BAM	AIR CONDITIONER with Integral Heater and Defroster
16HCV	GAUGE CLUSTER English with English Electronic Speedometer, for Electric Vehicle
16HKA	IP CLUSTER DISPLAY Omit Display of Fault Codes in Instrument Cluster and Disable Blink Codes, Requires Service Tool to Retrieve and View Fault Code
16JNT	SEAT, DRIVER {National 2000} Air Suspension, High Back with Integral Headrest, Vinyl, Isolator, 1 Chamber Lumbar, with 2 Position Front Cushion Adjust, -3 to +14 Degree Angle Back Adjust
16SDC	GRAB HANDLE, EXTERIOR (2) Chrome, Towel Bar Type, with Anti-Slip Rubber Inserts, for Cab Entry Mounted Left and Right Side at B-Pillar
16SMN	SEAT, PASSENGER {National} Non Suspension, High Back, Fixed Back, Integral Headrest, Vinyl
16SNV	MIRRORS (2) Aero Pedestal, Power Adjust, Heated, Turn Signals, Bright Heads, Black Arms, 6.5" x 14" Flat Glass, Includes 6.5" x 6" Convex Mirrors, for 102" Load Width
16VKK	CAB INTERIOR TRIM Diamond, for Day Cab
16VLM	CAB REAR SUSPENSION Rubber Suspension, for Low Cab Height
16WBY	ARM REST, RIGHT, DRIVER SEAT
16WJU	WINDOW, POWER (2) and Power Door Locks, Left and Right Doors, Includes Express Down Feature
16WLS	FRESH AIR FILTER Attached to Air Intake Cover on Cowl Tray in Front of Windshield Under Hood
16WSE	LOW WASHER FLUID INDICATOR
16XCM	CAB DOOR LOCKS Power, Driver Side Only; Non-Locking When Door Open
16XJN	INSTRUMENT PANEL Flat Panel
16XTK	ACCESS, CAB Bright Aluminum, Driver & Passenger Sides, Two Steps per Door, for use with Day Cab or Extended Cab

<b><u>Code</u></b>	<b><u>Description</u></b>
27DVN	WHEELS, FRONT {Accuride 42644} DISC; 22.5x8.25 Rims, Standard Polish Aluminum, 10-Stud, 285.75mm BC, Hub-Piloted, Flanged Nut, with Steel Hubs
28DVN	WHEELS, REAR {Accuride 42644} DUAL DISC; 22.5x8.25 Rims, Standard Polish Aluminum, 10-Stud, 285.75mm BC, Hub-Piloted, Flanged Nut, with Steel Hubs
29SAJ	HUB CAPS (2) {Stemco} Front with Oversize Opening.
7382135415	(2) TIRE, FRONT 11R22.5 Load Range H HSR2 (CONTINENTAL), 498 rev/mile, 75 MPH, All-Position
7382135432	(4) TIRE, REAR 11R22.5 Load Range H HDL2 (CONTINENTAL), 493 rev/mile, 75 MPH, Drive

**Services Section:**

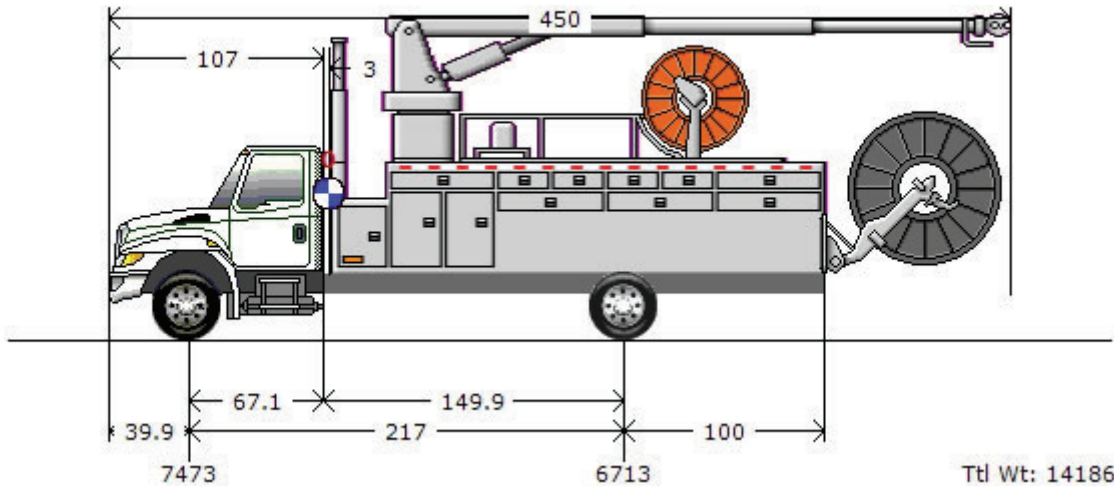
40134 WARRANTY Standard for Electric MV Series, Effective with Vehicles Built June 1, 2021 or Later, CTS-2023

**Body/Allied Equipment**

**Code** **Description**

**Goods Purchased**

**Code** **Description**



Graphics are provided as visual aids only and are not intended to represent the actual scale, shape, or color of the truck or its components. All weights are represented in lbs.

Truck			Body/Trailer			Chassis/Empty Weights	
Bumper to Axle	(BA)	39.9	Body Length	(BL)	340	Tractor Front Axle:	7,473
Wheelbase	(WB)	217.00				Tractor Rear Axle:	6,712
Axle to Frame	(AF)	100.00					
Axle to Back Cab	(ABC)	67.1					
Cab to Axle	(CA)	149.9					
Usable CA		149.9					
CA Reduction Adjustment		0.00					
Fuel (Gals)		0					
DEF(Gals)		0					

Before the Cab			Cab			Payloads Chassis			Body			After the Body		
#	Weight	CG	#	Weight	CG	#	Weight	CG	#	Weight	CG	#	Weight	CG
									1	0	0			

Loads		Weight Distribution	
Payload Weight:	0	Total Front Axle:	7,473
Driver:	0	Total Rear Axle:	6,713
Fuel (Gals):	0	Total Weight:	14,186
DEF(Lbs):	0		

Weights and clearances in this proposal are estimates only. Navistar, Inc. is not liable for any consequences resulting from any differences between the estimated weights and clearances and the actual manufactured weights and clearances.

**Weight Distribution**

All weights are represented in lbs.

	<b>Truck</b>		
	Front	Rear	Total
<b><u>Chassis Weight</u></b>			
Chassis Weight:	7,473	6,712	<b>14,185</b>
Fuel:	0	0	<b>0</b>
DEF:	0	0	<b>0</b>
Empty Body:	0	1	<b>1</b>
<b>(Curb Weight):</b>	<b>7,473</b>	<b>6,713</b>	<b>14,186</b>

**Loads**

Payloads:	0	0	<b>0</b>
Driver:	0	0	<b>0</b>
<b>Axle Totals (Gross Weight):</b>	<b>7,473</b>	<b>6,713</b>	<b>14,186</b>

**Weight Ratings**

	<b>Truck</b>	
	Front	Rear
Axle(axle capacity)	12,000	23,000
Tire(tire capacity)	13,220	26,440
Suspension(suspension capacity)	12,000	21,000
Spring:	0	
 Fed Bridge Law (axle spread):	 20,000	 20,000

<b>Wheel Combination</b>	<b>Load</b>	<b>Limit</b>
1 - 2	14,186	48,000

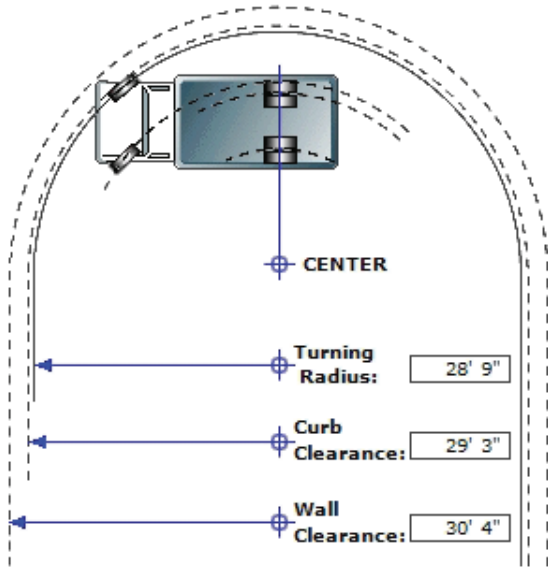
Federal Total Vehicle Weight Limit: 80,000

Maximum Gross Vehicle Weight Rating (GVWR) 33,000 - Gross Vehicle Weight(GVW) 14,186 = 18,814 Reserves

**Weight Summary**

\* Distributed weights are within capacity limits





Series: MV  
 Model: MV60E  
 Description: eMV607 SBA  
 Model Year: 2023

**Calculation Factors**

Wheelbase: 217  
 Front Axle: 0002AJX  
 Description: AXLE, FRONT NON-DRIVING, {Dana Spicer D-1201R IADB} I-Beam Type, 12,000-lb Capacity, with Integrated Air Disc Brake Knuckle  
 Front Wheel: 0027DVN  
 Description: WHEELS, FRONT, {Accuride 42644} DISC; 22.5x8.25 Rims, Standard Polish Aluminum, 10-Stud, 285.75mm BC, Hub-Piloted, Flanged Nut, with Steel Hubs  
 Front Tire: 07382135415  
 Description: TIRES, 11R22.5 Load Range H HSR2 (CONTINENTAL), 498 rev/mile, 75 MPH, All-Position  
 Steering Gear: 0005PRR  
 Description: STEERING GEAR, {TRW (Ross) TAS66} Power

**Turning Radius Statistics**

General Information

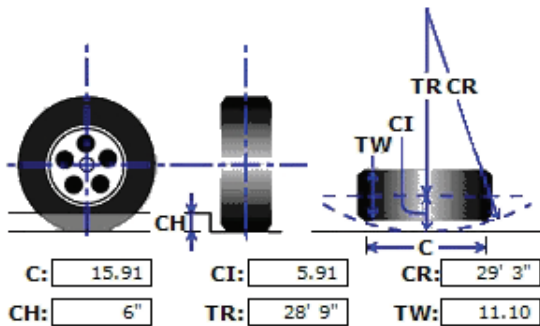
Inside Turn Angle: 50 Degrees  
 Radial Overhang: 19

Axle Information

KingPin Inclination: 5.5 Degrees  
 KingPin Center: 69

**Turning Radius - Curb View**

C - Curb Contact Length: 15.91  
 CI - Curb Clearance Increment: 5.91  
 CR - Curb Clearance Radius: 29'3"  
 CH - Curb Height: 6"  
 TR - Turning Radius: 28'9"  
 TW - Tire Width: 11.10

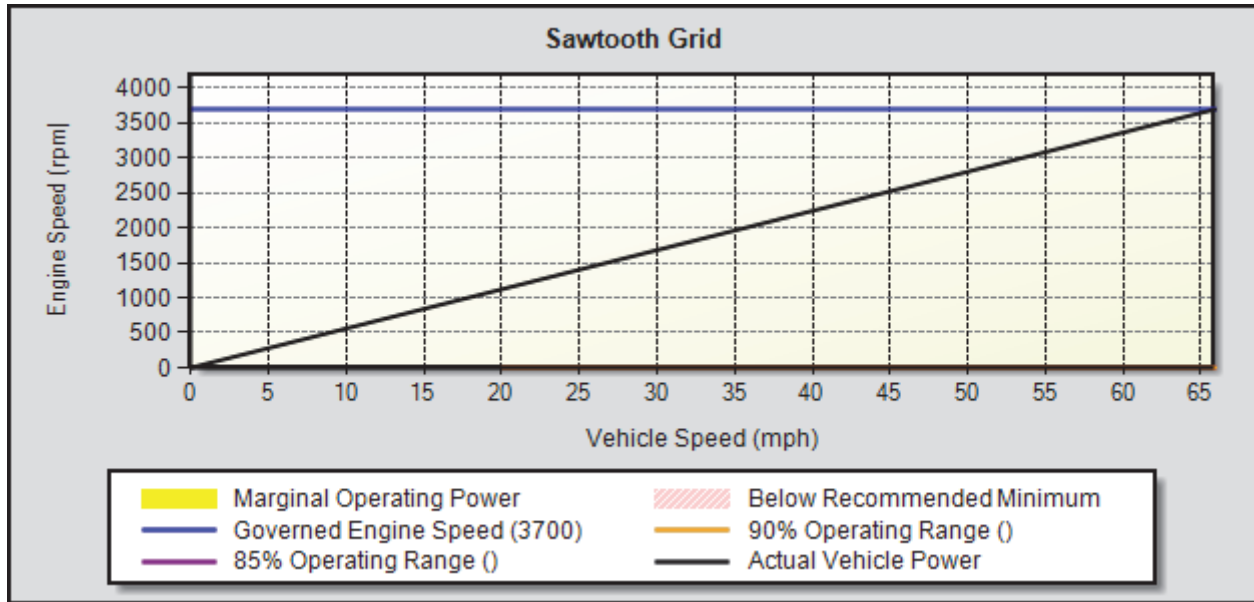


\* All Measurements are in inches, unless otherwise specified.

This information is based on engineering information available at this time. Actual figures may vary. Navistar, Inc. cannot accept liability for consequences due to this variance.

Electronic Parameters Data is Not Available.

**ENGINE/TRANSMISSION MATCHING**



**Sawtooth Details**

Gear	Trans Ratio	Upshift Power Avail		Govern Power Avail		Peak Power Comparison			Warn Msg
		Veh Spd (MPH)	Motor Spd (RPM)	Veh Spd (MPH)	Motor Spd (RPM)	Gear Step (%)	85% Range (%)	90% Range (%)	
1	1.00	0.0	0	65.9	3700	0.00	100.00	100.00	

## STEADY STATE PERFORMANCE

Performance Results	Gear	Veh Spd (mph)	Motor Spd (rpm)	Fuel Econ (kWh/mi)	Grade (%)	Notes
LEVEL ROAD MAXIMUM SPEED	1	65.9	3700	2.14	1.46	
HI GEAR SPEED @ RATED RPM	----	----	----	----	----	
55.0 MPH STEADY-STATE	1	55.0	3087	1.71	2.90	
TYPICAL OPERATING SPEED	----	----	----	----	----	& - Calculated Grade Ability/Fuel Economy

& - MORE HORSEPOWER IS REQUIRED TO MAINTAIN MINIMUM RECOMMENDED LOADED VEHICLE GRADEABILITY OF 0.5% AT CRUISING SPEED.

VEHICLE ORDER CODING ERRORS MAY RESULT IF THE "LEVEL ROAD MAX SPEED" VALUE EXCEEDS THE "HI GEAR SPEED @ RATED RPM" AND IS USED AS THE ENGINE PROGRAMMABLE VEHICLE SPEED LIMIT.

IF THE RESULTS CONTAIN "----", VEHICLE CANNOT ATTAIN THAT SPEED.

IF THE RESULTS CONTAIN "\*\*\*\*\*", THE ENGINE USED DOES NOT HAVE A FUEL MAP. FUEL ECONOMY CANNOT BE PREDICTED.

## Recommendations / General Information

IDLE POWER : 7.47 kW @ 0 RPM and 70F

## Fuel Economy Route: Normal Route - City, Suburban, and Highway

Key Fuel Economy Information	City	Suburban	Highway	Notes
kWh/mi	1.39	1.40	1.86	
AVERAGE MPH	19.0	39.9	54.4	
MISSION MINUTES	29.79	51.92	174.06	

IF THE RESULTS CONTAIN "\*\*\*\*\*", THE ENGINE USED DOES NOT HAVE A FUEL MAP. FUEL ECONOMY CANNOT BE PREDICTED.

**GRADEABILITY PERFORMANCE**

**Grade Ability Table**

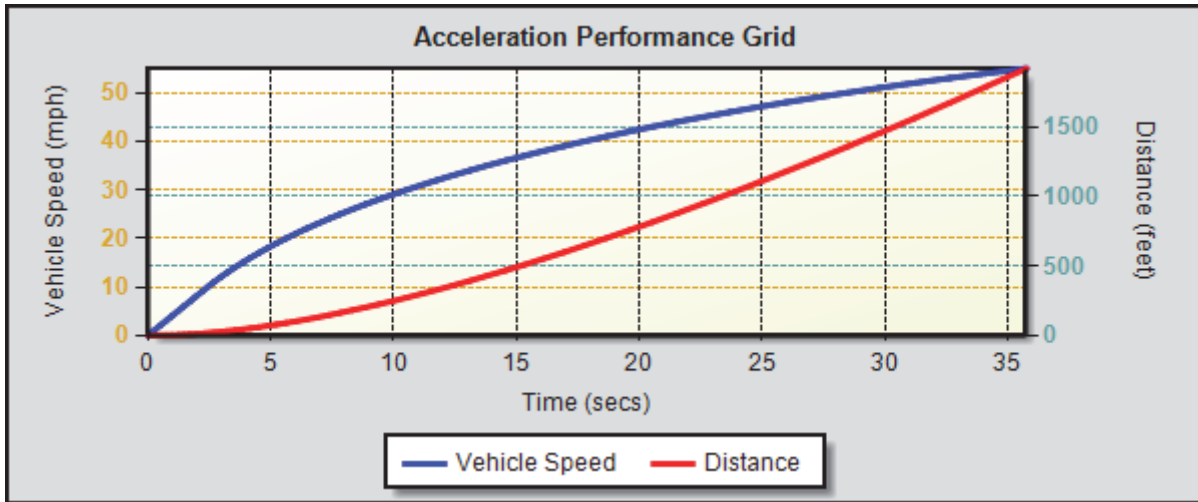
<b>Gear</b>	<b>Trans Ratio</b>	<b>Gear Step</b>	<b>Veh Spd (mph)</b>	<b>Motor Spd (rpm)</b>	<b>Whl Pwr (hp)</b>	<b>Grade (%)</b>	<b>Warn Msg</b>	<b>Start Grade (%)</b>	<b>Notes</b>
1	1.00	0.00	0.0	0	0.00	19.34		19.34	- Calculated Start Ability
			17.8	1000	218.90	13.37			
			65.9	3700	226.27	1.46			

**STARTING / TOP GEAR PERFORMANCE**

<b>Gear</b>	<b>Trans Ratio</b>	<b>Gear Step</b>	<b>Veh Spd (mph)</b>	<b>Motor Spd (rpm)</b>	<b>Whl Pwr (hp)</b>	<b>Grade (%)</b>	<b>Warn Msg</b>	<b>Start Grade (%)</b>	<b>Notes</b>
1	1.00	0.00	0.0		0.00	19.34		19.34	- Calculated Start Ability

**ACCELERATION PERFORMANCE RESULTS**

**Acceleration Performance Grid**



Acceleration Performance: TIME TO ACCELERATE ON A GRADE TO 55.0 (MPH) IS 35.76 (SECS)

**Acceleration Performance Details**

Gear	Time (secs)	Distance (feet)	Speed (mph)	Notes
1	0.25	0.2	1.0	
	0.49	0.7	2.0	
	0.74	1.6	3.0	
	0.98	2.9	4.0	
	1.22	4.5	5.0	
	1.47	6.4	6.0	
	1.71	8.7	7.0	
	1.95	11.4	8.0	
	2.20	14.5	9.0	
	2.44	17.9	10.0	
	2.69	21.7	11.0	
	2.96	26.2	12.0	
	3.24	31.3	13.0	
	3.54	37.3	14.0	
	3.85	44.0	15.0	
	4.18	51.4	16.0	
	4.52	59.6	17.0	
	4.87	68.7	18.0	
	5.24	78.7	19.0	
	5.63	89.8	20.0	
	6.03	101.9	21.0	
	6.45	115.2	22.0	
	6.90	129.8	23.0	
	7.36	145.7	24.0	
	7.83	162.9	25.0	
	8.33	181.6	26.0	
	8.85	201.8	27.0	
	9.39	223.6	28.0	
	9.96	247.0	29.0	
	10.54	272.3	30.0	
	11.15	299.4	31.0	
	11.78	328.5	32.0	

<b>Gear</b>	<b>Time (secs)</b>	<b>Distance (feet)</b>	<b>Speed (mph)</b>	<b>Notes</b>
	12.43	359.7	33.0	
	13.11	393.1	34.0	
	13.81	428.8	35.0	
	14.55	467.0	36.0	
	15.31	507.8	37.0	
	16.10	551.4	38.0	
	16.93	597.9	39.0	
	17.78	647.4	40.0	
	18.67	700.1	41.0	
	19.59	756.3	42.0	
	20.55	816.2	43.0	
	21.55	879.9	44.0	
	22.59	947.5	45.0	
	23.67	1019.5	46.0	
	24.79	1096.1	47.0	
	25.96	1177.8	48.0	
	27.18	1264.6	49.0	
	28.46	1357.2	50.0	
	29.79	1455.7	51.0	
	31.18	1560.5	52.0	
	32.63	1672.5	53.0	
	34.15	1792.2	54.0	
	35.76	1920.1	55.0	
	35.76	1920.1	55.0	



## REQUIRED TCAPE INFORMATION

TCAPE Factors For Vehicle

Selected Rear Axle Gear Ratio(s):	6.83
Parked PTO:	NO
Enroute PTO:	NO
ID Wheel Slip Conditions:	Yes
Road Governor/Cruise Ctrl:	No
Road Surface Type:	TYPICAL
Fuel Economy Route:	Normal Route - City, Suburban, and Highway
Vehicle Vocation:	GENERAL ON HIGHWAY
Acceleration Grade (%):	0.0
Frontal Area (FT <sup>2</sup> ):	96
Speed Limit on Route (MPH):	61.0
Relative Drag Coefficient:	85
Steering Gear (HP):	2.60
Air Conditioner (HP):	3.20
Vehicle Width (IN):	96
Vehicle Height (IN):	144
Weight on Drive Axle (LBF):	23000
Acceleration Vehicle Spd (MPH):	55.0
Requested Ambient Temperature (F):	70.0
Air Compressor (HP):	2.20
TIRE, FRONT	2 - RADIAL NORMAL
TIRE, REAR	4 - RADIAL NORMAL

Components

0001ANA	AXLE CONFIGURATION {Navistar} 4x2
0002AJX	AXLE, FRONT NON-DRIVING {Dana Spicer D-1201R IADB} I-Beam Type, 12,000-lb Capacity, with Integrated Air Disc Brake Knuckle
0004SPS	AIR COMPRESSOR {Quanxing} 10.6 CFM, for Electric Vehicle
0005PRR	STEERING GEAR {TRW (Ross) TAS66} Power
0008TLC	BATTERY PACK High Voltage, 210 kWh Total Capacity
0008TLC	BATTERY PACK High Voltage, 210 kWh Total Capacity
0012AAB	MOTOR, ELECTRIC, DRIVETRAIN {Dana TM4 SUMO MD HV2200-6P} 255kW Rated Power @ 1000 RPM, 2355 Nm Rated Torque @ 1000 RPM
0012AAB	MOTOR, ELECTRIC, DRIVETRAIN {Dana TM4 SUMO MD HV2200-6P} 255kW Rated Power @ 1000 RPM, 2355 Nm Rated Torque @ 1000 RPM
0014ERW	AXLE, REAR, SINGLE {Dana Spicer S23-172F} Single Reduction, Pinion Up, 23,000-lb Capacity, R Wheel Ends
0016030	CAB Conventional, Day Cab
0016BAM	AIR CONDITIONER with Integral Heater and Defroster
07382135415	TIRE, FRONT 11R22.5 Load Range H HSR2 (CONTINENTAL), 498 rev/mile, 75 MPH, All-Position 11R22.5 Load Range H HSR2 (CONTINENTAL), 498 rev/mile, 75 MPH, All-Position
07382135432	TIRE, REAR 11R22.5 Load Range H HDL2 (CONTINENTAL), 493 rev/mile, 75 MPH, Drive 11R22.5 Load Range H HDL2 (CONTINENTAL), 493 rev/mile, 75 MPH, Drive

**TCAPE HAS BEEN DESIGNED TO GIVE ECONOMY AND PERFORMANCE PREDICTIONS WHICH HAVE BEEN SHOWN TO BE TYPICAL FOR MOST OPERATIONS. HOWEVER, DUE TO OPERATING CONDITIONS, DRIVER INFLUENCES, AND OTHER FACTORS, YOUR RESULTS MAY VARY FROM THOSE PREDICTED. ALSO, BECAUSE OF FUEL MAPPING PROCEDURES USED BY VARIOUS ENGINE MANUFACTURERS, COMPARISONS OF FUEL ECONOMY RESULTS FOR DIFFERENT BRANDS OF ENGINES MAY VARY FROM THOSE SHOWN.**

**NAVISTAR, INC. SHALL NOT BE LIABLE FOR ANY LOSS OF PROFITS, LOSS OF USE, INTERRUPTION OF BUSINESS OR INDIRECT, SPECIAL, INCIDENTAL OR CONSEQUENTIAL DAMAGES OF ANY KIND THAT ARE INCURRED BY DEALER OR BY DEALER'S CUSTOMERS AS A RESULT OF RELIANCE ON TCAPE, WHETHER THE CLAIM IS IN CONTRACT, TORT (INCLUDING NEGLIGENCE), STRICT LIABILITY OR OTHERWISE.**

**GVWR Component Rating(s)**

Ratings	Primary			Adjusted By			GAWR* (lbf)	GVWR** (lbf)
	ATA Class	Feature	Rating (lbf)	ATA Class	Feature	Rating (lbf)		
Front Component Ratings	AXLE, FRONT NON-DRIVING	0002AJX	12000					
	BRAKES, FRONT	0004XCJ	23000					
	SUSPENSION, FRONT, SPRING	0003ADC	12000					
	WHEELS, FRONT	0027DVN	14780	TIRE, FRONT	0738213	13220		
Front GAWR							12000	
Rear Component Ratings	BRAKES, REAR	0004XCK	26000					
	BRAKE SYSTEM, AIR	0004091	23000	BRAKES, REAR	0004XCK	26000		
	SUSPENSION, REAR, AIR, SINGLE	0014TDV	21000					
	WHEELS, REAR	0028DVN	27780	TIRE, REAR	0738213	24020		
	AXLE, REAR, SINGLE	0014ER W	23000					
Rear GAWR							21000	
Overall Vehicle Limitations	GVWR LIMITATION FOR FRAME	0001CG M	33000					
GVWR Based on Axle Ratings***								33000
Calculated GVWR								33000

**GCWR Component Rating(s)**

Ratings	Primary			Adjusted By			GCWR**** (lbf)
	ATA Class	Feature	Rating (lbf)	ATA Class	Feature	Rating (lbf)	
GCWR Component Rating	AXLE, REAR, SINGLE	0014ER W	100000				
Calculated GCWR							100000

\* GAWR (Gross Axle Weight Rating) is the rating capacity of an axle system which include wheels, tires, axles, brakes, springs, and suspensions.  
 \*\* GVWR (Gross Vehicle Weight Rating) is the maximum amount that a loaded vehicle can weight.  
 \*\*\* GVWR Based on Axle Ratings = Front GAWR + Rear GAWR. Overall vehicle weight limitations are not taken into account.  
 \*\*\*\* GCWR (Gross Combined Weight Rating) is the maximum weight of a tractor and trailer.

**LIMITED WARRANTY FOR eMV  
MODEL SERIES**

\*Effective with vehicles built June 01, 2021 or later

**BASIC VEHICLE**

Navistar, Inc., at its option, will repair or replace any part of this vehicle that proves defective in material or workmanship, in normal use and service, with new or ReNEWed® parts, based on the Component Coverages below. Exceptions are listed below:

BASIC VEHICLE COVERAGE	Months	Miles/Km (000)
<b>Basic Vehicle Warranty (See exceptions listed below)</b>	24	Unlimited
Towing (First 90 days see below) (Vehicle Down Situations Only) (See exceptions listed below)	3	Unlimited
<b>Note: Items not listed in warranty exceptions follow base warranty.</b>		
WARRANTY EXCEPTIONS		
CHASSIS COVERAGE	Months	Miles/Km (000)
Frame side rails	84	Unlimited
Cab/cowl structure	60	Unlimited
Cab/cowl perforation corrosion	60	Unlimited
EV Powertrain Components	Months	Miles/Km (000)
EV Batteries, Motors, Interface Converting and Wiring	60	100/160
MISCELLANEOUS COVERAGE	Months	Miles/Km (000)
Brightwork, Chassis Paint and Corrosion (other than Cab)	6	Unlimited
Hood/Cab Paint	12	Unlimited

**FIRST 90 DAYS FROM DELIVERY TO USER (DTU)**

Correction of loose fasteners, squeaks, rattles and unusual noises. Towing (unless specific coverage is stated above). Adjustments and Maintenance (e.g. aim headlights, adjust brakes/clutch, adjust steering system, check and fill coolant levels).

**WHAT IS NOT INCLUDED UNDER BASIC COVERAGE**

**Components/Items**

- Warranted by their respective manufacturers (e.g., non-International® brand engines, tires, Allison Transmissions, Eaton Hybrid components, lubricants, etc.)
- Bodies, equipment, and accessories installed by other than authorized International® Truck employees at International® Truck manufacturing plants
- Front and rear axle alignment
- Front & Rear axle coverage excludes brakes, wheel ends, axle shafts, controls & attachments

**Repairs & Maintenance**

- Maintenance-related items/repairs, or those, as a result of normal wear and tear, including tune-ups, brake/clutch linings, windshield wiper blades, tire balancing, lubrication, and other similar procedures/parts required to keep vehicle in good working condition
- Failures that are the result of poor fuel quality, water in fuel, rust, etc.
- Repairs needed as a result of vehicle misuse, negligent care, improper maintenance, improper operation, or the result of accident or collision
- Fade, runs, mismatch or damage to paint, trim items, upholstery, chrome, polished surfaces, etc., resulting from environmental causes such as improper polishes, cleaners or washing solutions, or chemical and industrial fallout
- Failure to observe published capacity or load specifications for engine, transmission, propeller shaft, axles (powertrain) and suspension

**Other**

- Vehicles sold and/or operated outside the United States and Canada
  - This exception does not apply to vehicles that meet current USA EPA emission standards, which were sold by an International dealer located in Mexico, if the vehicle is authorized by the U.S.D.O.T to operate in long-haul, cross border transportation and the vehicle is only operated in the United States, Canada, and Mexico
- Vehicles/components that have had unauthorized alterations or modifications
- Vehicles on which the odometer reading has been altered
- Loss of time or use of the vehicle, loss of profits, inconvenience, or other consequential or incidental damages or expenses
- Replacement of defective parts with parts other than those provided by Navistar, Inc

**OBTAINING SERVICE**

Return this vehicle to any International Truck Dealer authorized to service this model vehicle and engine.

*This warranty is automatically transferred to subsequent owners at no charge. Visit your local Authorized International Truck Dealer for name and address change information.*

**Note:** The customer has 365 days and up to a maximum of 100,000 miles (160,000 km) from DTU to purchase an extended warranty on the unit. For extended warranty purchases between 181 and 365 days from DTU and <100,000 miles (160,000 km) an additional fee will be assessed. See your local International dealer for details.

**DISCLAIMER**

NO WARRANTIES ARE GIVEN BEYOND THOSE DESCRIBED HEREIN. THIS WARRANTY IS IN LIEU OF ALL OTHER WARRANTIES, EXPRESSED OR IMPLIED. THE COMPANY SPECIFICALLY DISCLAIMS WARRANTIES OF MERCHANTABILITY AND FITNESS FOR A PARTICULAR PURPOSE, ALL OTHER REPRESENTATIONS TO THE USER/PURCHASER, AND ALL OTHER OBLIGATIONS OR LIABILITIES. THE COMPANY FURTHER EXCLUDES LIABILITY FOR INCIDENTAL AND CONSEQUENTIAL DAMAGES, ON THE PART OF THE COMPANY OR SELLER. No person is authorized to give any other warranties or to assume any liabilities on the Company's behalf unless made or assumed in writing by the Company, and no other person is authorized to give any warranties or to assume any liabilities on the seller's behalf unless made or assumed in writing by the seller.

**Remedies Under State or Provincial Law:** Some States and Provinces do not allow the exclusion or limitation of incidental or consequential damages, so the above limitation or exclusion may not apply to the owner. This warranty gives the owner specific legal rights, and he may also have other legal rights which may vary by state or province.

**Revised 4/1/2019**

**Telematics Data Disclosure**

Your new Navistar vehicle is automatically equipped with Telematics. Navistar, Inc. or its affiliates will collect and send diagnostic and system data from your vehicle and use it for various purposes as further set forth in our Privacy Policy, posted at [www.oncommandconnection.com](http://www.oncommandconnection.com), such as improving uptime for your vehicle, improving our vehicles in the future and reducing warranty events. By accepting this Limited Warranty, you consent to our collection and use of data from your vehicle as set forth at [www.oncommandconnection.com](http://www.oncommandconnection.com) on behalf of yourself and any vehicle operators and passengers. Your use and access to any related data subscription service from Navistar, Inc. or its affiliates, such as OnCommandConnection, are subject to additional Terms of Service. You will receive additional information follow purchase regarding any such subscriptions as well as your ability to opt-out of data collection.

**RECORD OF OWNERSHIP**

Upon receipt of new vehicle by original owner, complete the following: I have read this Warranty Brochure and fully understand the warranty coverage. I acknowledge that I have received a copy of the Owner's Limited Warranty and I accept the terms described herein.

_____	_____	_____	_____
Customer Signature		Date	
_____	_____	_____	_____
Owner's Address	City	State/Prov	Postal Code
_____	_____	_____	_____
Truck Model	Vehicle Identification Number		
_____	_____	_____	_____
Engine Number	Engine Serial Number		
_____	_____	_____	_____
Date Delivered to User (DTU)	Odometer Reading at Delivery		

**IMPORTANT:** The information contained in this Warranty Policy explains the coverage provided on your new International® vehicle. This policy should be kept in the vehicle for presentation to the Dealer when you request warranty service.