

Ann Arbor Historic District Commission

Application for 436 Third Street

Proposed Materials List

Siding and trim on west façade:	HardiePlank Fiber-cement smooth lap siding HardieTrim fiber-cement trim boards
Windows:	Marvin Wood Ultimate Double-Hung, wood exterior, painted. (at Yellow unit, North and East elevations) Marvin Wood Ultimate Awning/Picture combo, wood exterior (at Blue unit, second floor, South elevation) Marvin Aluminum-Clad Double Hung (at Yellow unit, second floor, Proposed dormer)
Sliding Door:	Marvin Wood Sliding Patio Door
Skylight:	Vellux, Fixed Curb Mount Skylight
Tube Skylights:	Chroma Skylight Tube, Model #2014DT/HW
Side door:	Simpson Doors, #77002, Douglas fir
New Porch And Deck:	Trex Composite Decking, Enhance- color: Saddle
Porch railings:	Wood, painted
Basement Bulkhead Doors:	Bilco Classic Series Steel Sloped Wall basement door
HVAC	Mitsubishi Heat Pump, MXZ-B series

THE BENEFITS OF MARVIN® ULTIMATE DOUBLE HUNG WINDOWS

With advancements in engineering never imagined by homeowners of days gone by, Marvin brings the classic double hung window into the Ultimate Double Hung era, assuring that this classic style will be around for generations to come. Marvin's exclusive integrated tilt lever allows the sash to be tilted in with one hand or removed for easy cleaning. Choose from a variety of size options including our new taller sizes.

THE MARVIN ULTIMATE DOUBLE HUNG WINDOW



INTERIOR



EXTERIOR

THE MARVIN PATENTED "EASY-TILT-RELEASE" ULTIMATE DOUBLE HUNG WINDOW



The sash in locked position



Unlocked position with
tilt release activated

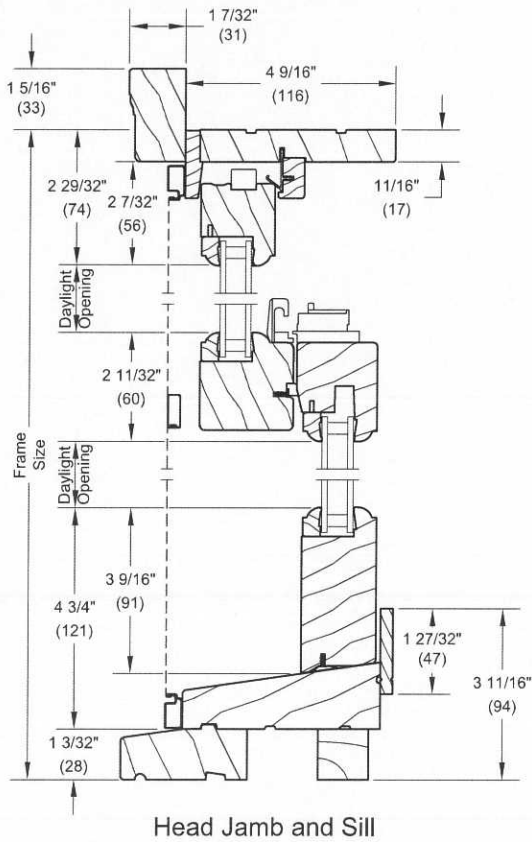


Sash tilting freely
into the room

Section Details: Operating

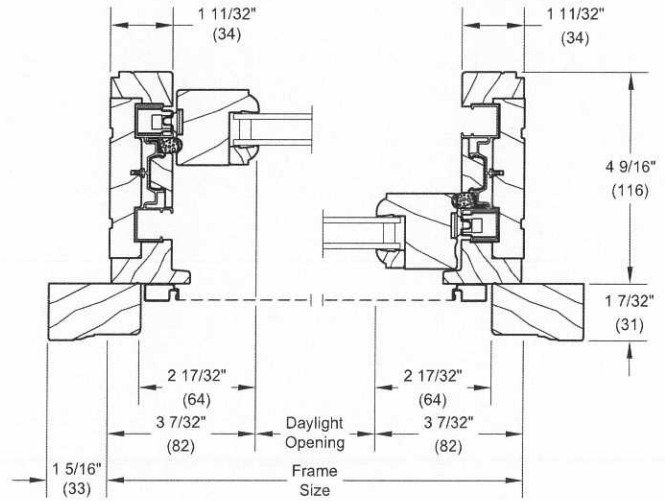
Scale: 3/4" = 1'-0"

Double Hung

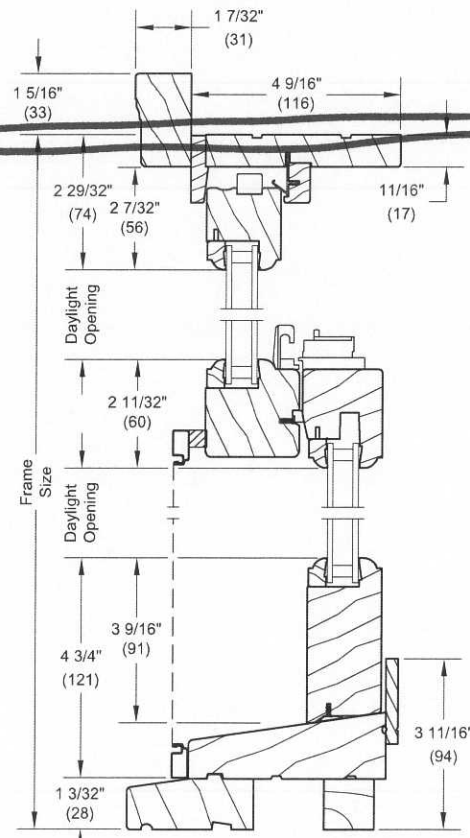


Lower Sash

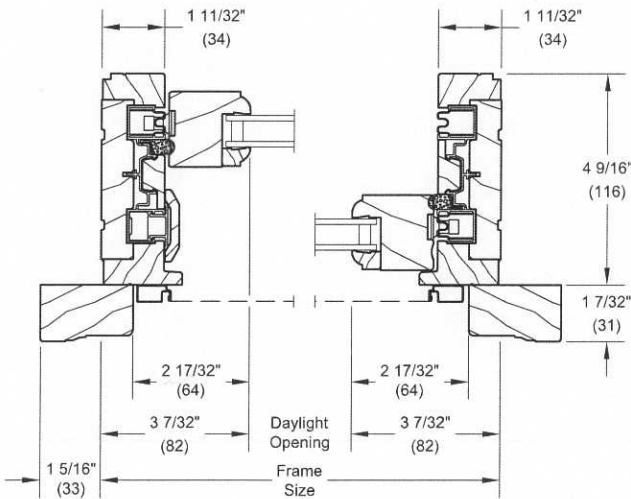
Upper Sash



Jambs



Single Hung

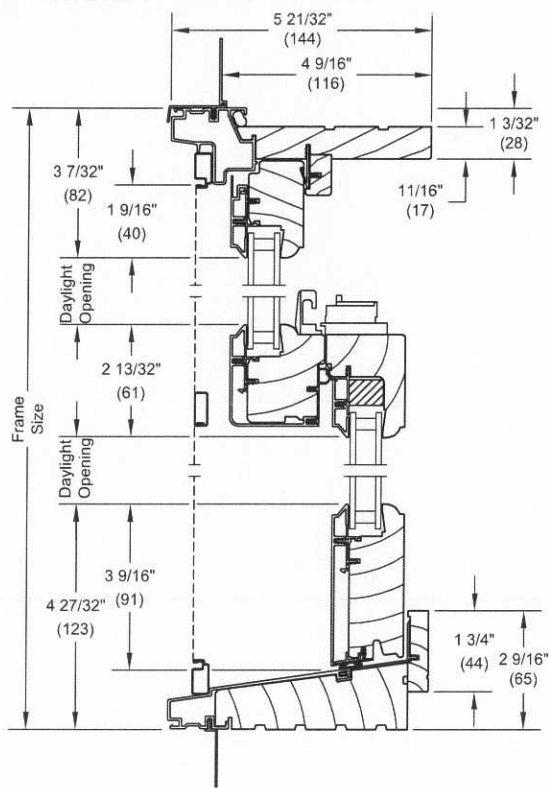


Head Jamb and Sill

Section Details: Operating

Scale: 3" = 1' 0"

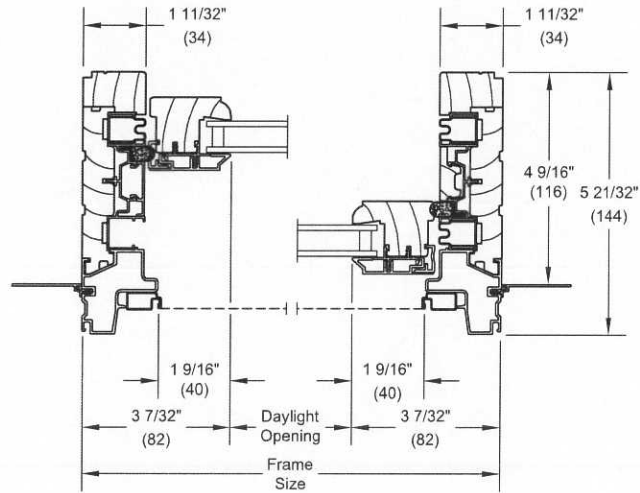
Double Hung



Head Jamb and Sill

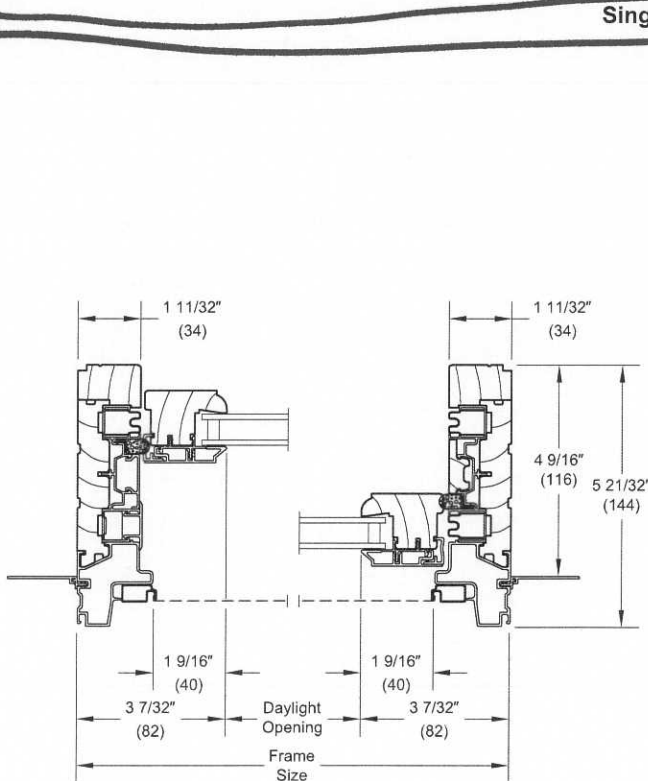
Lower Sash

Upper Sash

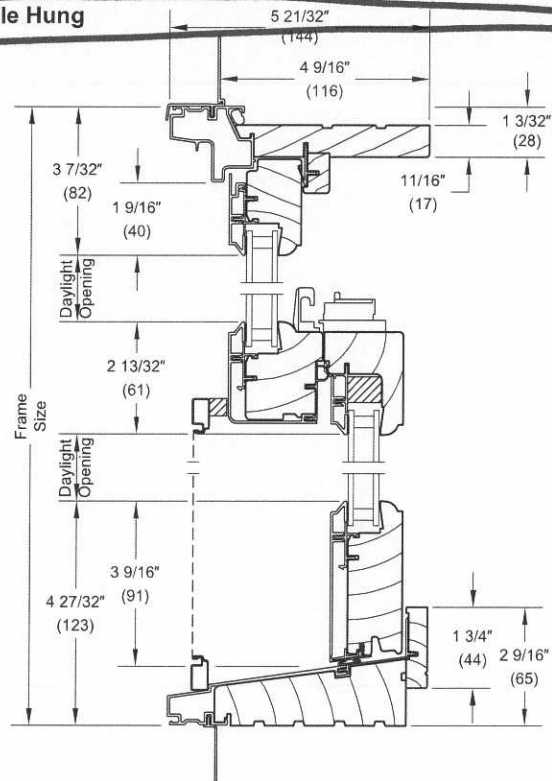


Jambs

Single Hung



Jambs



Head Jamb and Sill



FIND A DEALER

Zip/Postal Code

SEARCH SITE

Keyword

INTERNATIONAL

Residential Professionals | Windows | Awning | Ultimate Awning | Exterior

AWNING + FIXED

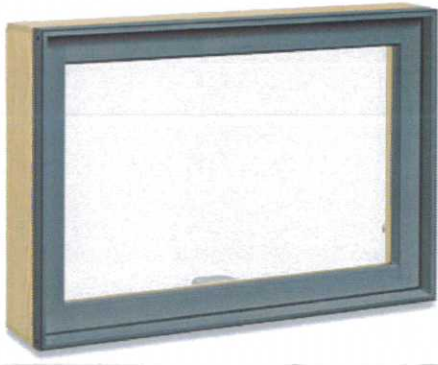


OPTIONS TECHNICAL RESOURCES PRODUCT DESIGNER

PHOTO GALLERY ▶

- FEATURES AND BENEFITS
- INTEGRATED SHADES SOLUTION
- INTERIOR FINISH OPTIONS
- EXTERIOR FINISH OPTIONS

Wood Species



Pine (Standard)

Vertical Grain Douglas Fir



Mahogany

Primed Pine

Wood is a product of nature and will vary in color, texture and grain. The wood options shown above are to demonstrate the approximate look of each species only. The photos are not intended to reflect a product's interior or exterior profile.

Clad Color Options

Marvin's low maintenance, clad-wood products feature an extruded aluminum exterior finished in commercial-grade paint for superior resistance to fading and chalking. Marvin's palette of nineteen durable colors includes a spectrum of rich colors and two fresh, pearlescent finishes.



Copper (Pearlescent)

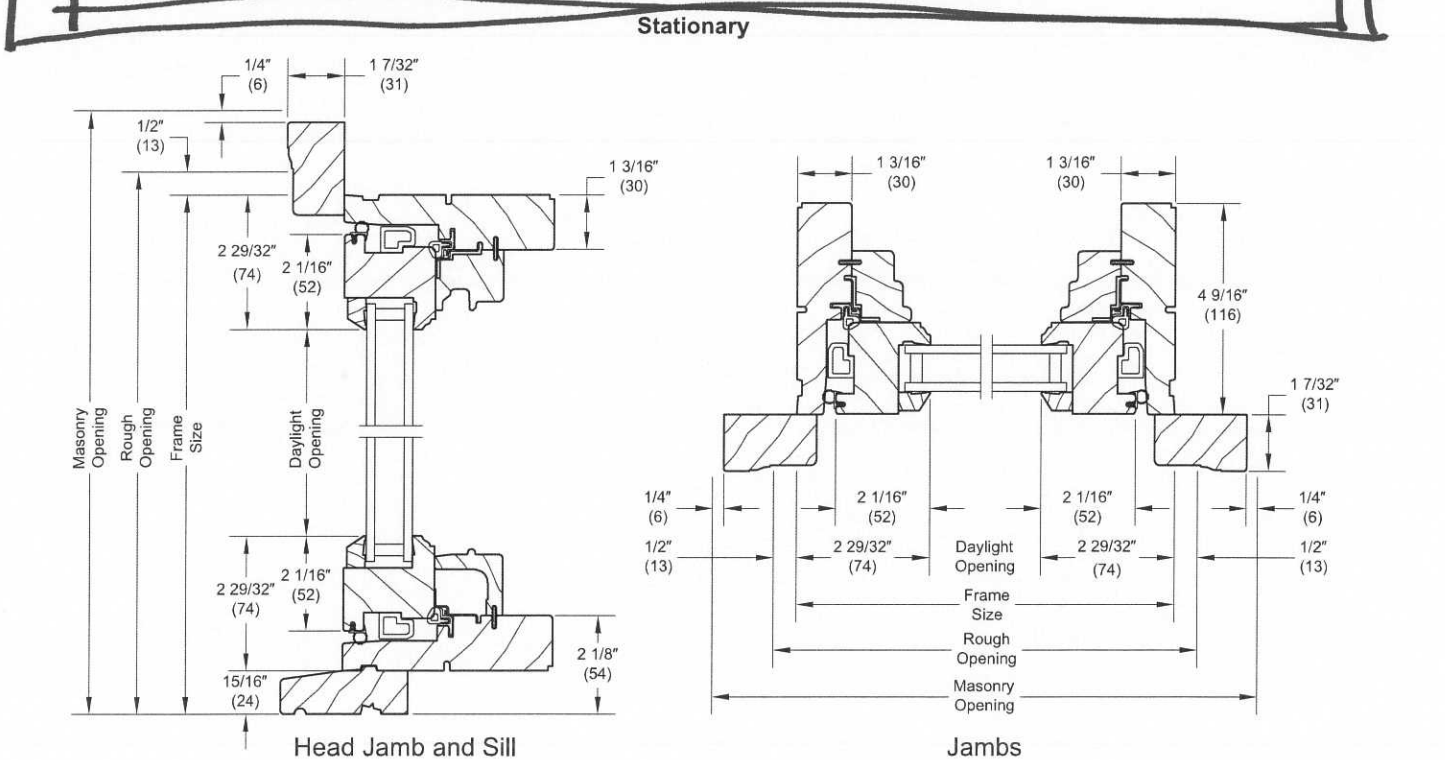
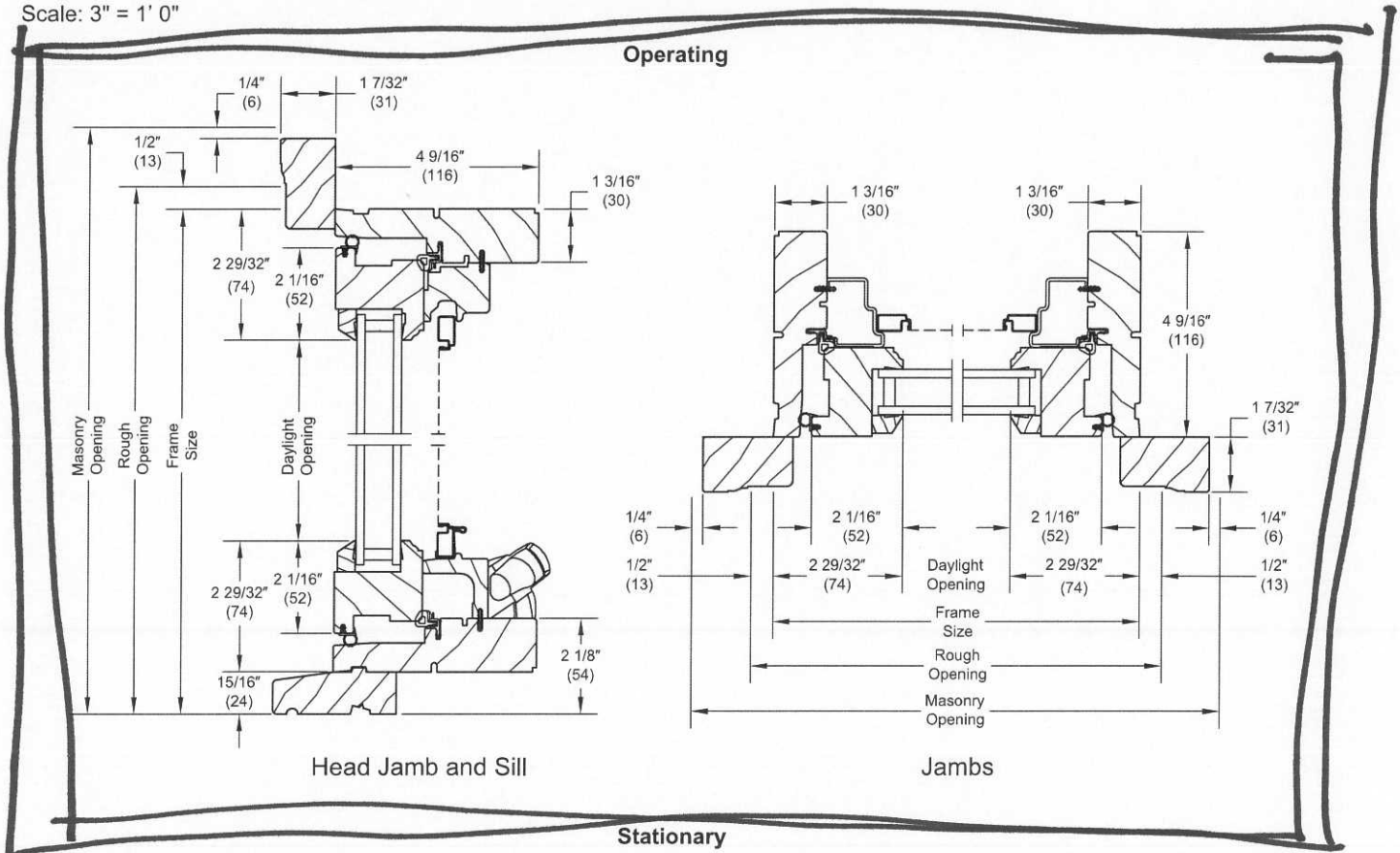
Bright Silver (Pearlescent)

Cashmere

Stone White

Section Details: Operating and Stationary / Picture - 1" (25) IG

Scale: 3" = 1' 0"





FIND A DEALER

Zip/Postal Code

SEARCH SITE

Keyword

INTERNATIONAL

Residential Professionals | Doors | Sliding Patio | Exterior

SLIDING PATIO



OPTIONS TECHNICAL RESOURCES

PHOTO GALLERY ▶

FEATURES AND BENEFITS

INTEGRATED SHADES SOLUTION

INTERIOR FINISH OPTIONS

EXTERIOR FINISH OPTIONS



Wood Species



Pine (Standard)



Vertical Grain Douglas Fir



Mahogany



Primed Pine

Wood is a product of nature and will vary in color, texture and grain. The two options shown above are to demonstrate the approximate look of each species only. The photos are not intended to replicate a product's interior or exterior profile.

Clad Color Options

Marvin's low maintenance, clad-wood products feature an extruded aluminum exterior finished in commercial-grade paint for superior resistance to fading and chalking. Marvin's palette of nineteen durable colors includes a spectrum of rich colors and two fresh, pearlescent finishes.



Copper (Pearlescent)



Bright Silver (Pearlescent)



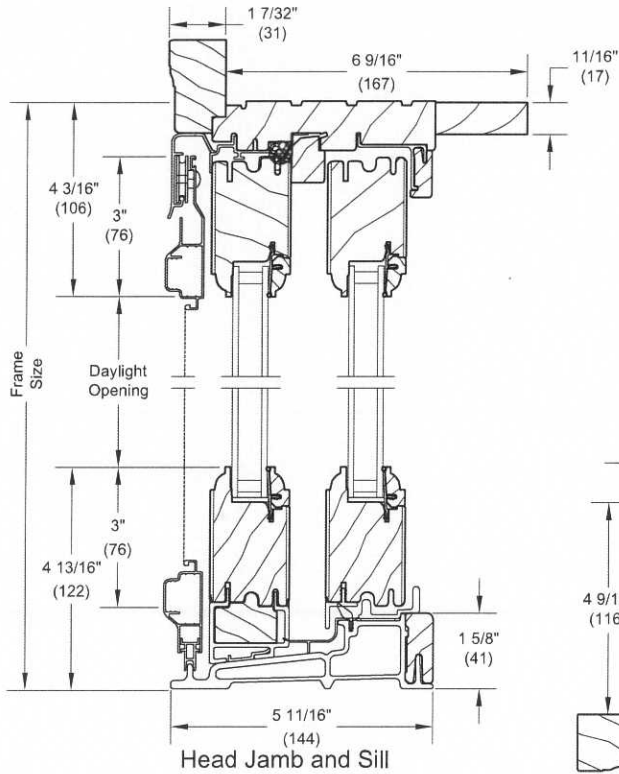
Cashmere



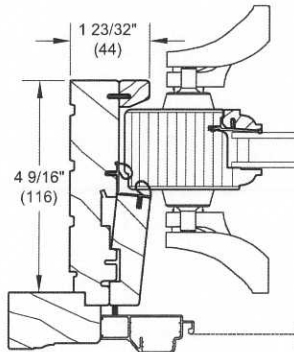
Stone White

Sliding Patio Section Details: Operating

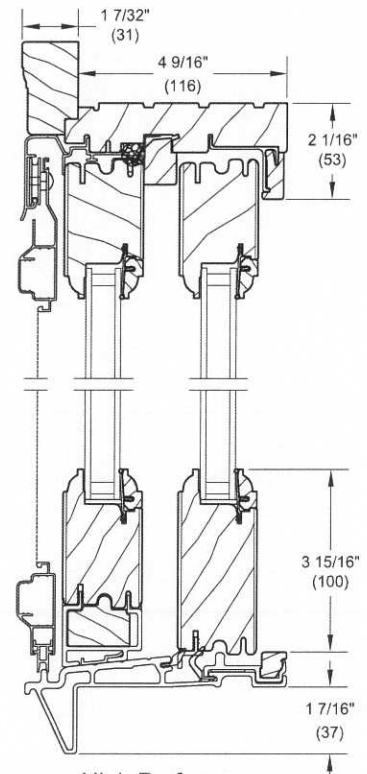
Scale: 3" = 1' 0"



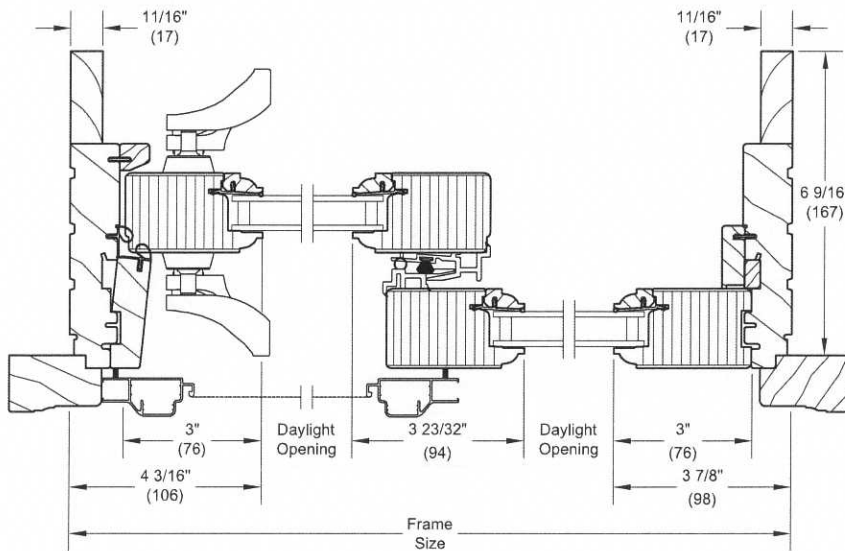
Head Jamb and Sill



4 9/16" Jamb



High Performance
Low Profile Sill
4 9/16" Head Jamb and Sill



XO - Jamb

NOTE: CE mark is not available with profile sill

Fixed curb mounted skylight (FCM)



The patented FCM curb mounted fixed skylight is sized to work with all types of site-built curbs, whether they're slightly out-of-square, pre-existing, or surrounded by unusually thick flashing and roofing material. Heavy-duty materials ensure the FCM skylight is built to withstand the installation process, as well as anything Mother Nature throws its way.



The FCM skylight meets ENERGY STAR® approval guidelines for [energy efficiency](#) in all climatic regions of the US.

Next steps

[Dealer & installer locator](#)

[Order Blinds](#)

Related areas

[FCM specs](#)

[FCM CAD files](#)

[FCM instructions](#)

[FCM sizes](#)

[Inspirational images](#)

[ENERGY STAR® site](#)

[Manufacturer's certification statement for residential skylights](#)

Clean, Quiet & Safe glass



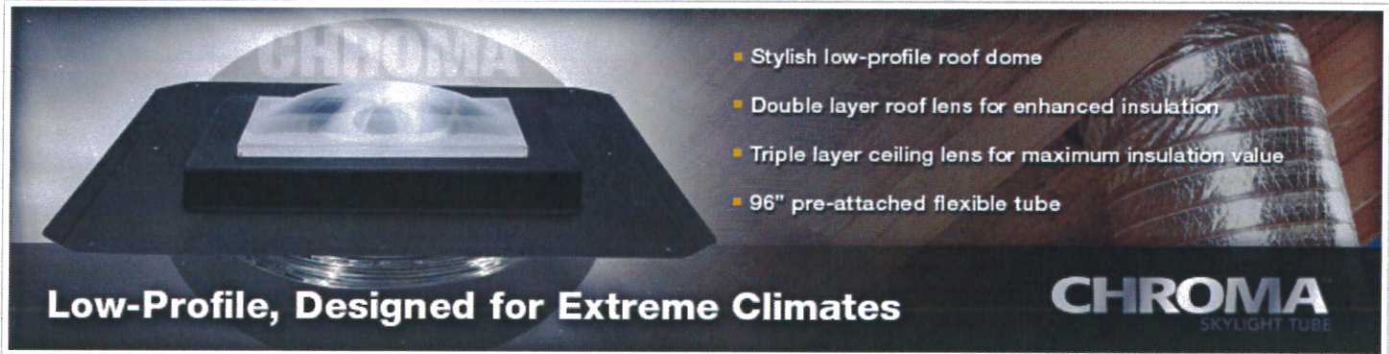
Features Neat® glass coating to keep your skylight cleaner, longer, leaving skylights virtually spotless.

Reduce unwanted outside noise by up to 25% less than a standard double pane glass, and up to 50% less than a plastic skylight.

VELUX recommends and building codes require laminated glass for out of reach applications.



Factory installed blinds



products skylight tubes 2014st



Skylight Tube
Model #2014ST/HW

Availability: In stock

Regular Price: ~~\$449.00~~

Special Price: \$349.00

Quantity

[Add to Cart](#)

Innovative square tubular skylight tunnels clean natural light through your attic with an eight foot reflective flexible tube. Hail resistant polycarbonate roof lens and dual pane internal design provide maximum energy efficiency.

- Demo Video
- Install Video
- Photo Gallery
- Product Brochure
- Install Guide

Check items to add to the cart or select all

- Light Kit for Radiant and Chroma Skylight Tubes \$39.99
- Skylight Tube Lens Kit \$39.99

- Overview
- Specifications
- Features
- Installation
- FAQ**

Will the SkylightTube allow heat in or out of my home?

The double layer roof lens creates a dual pane effect minimizing solar heat gain and maximizing energy savings.

Do SkylightTubes leak?

The one piece roof lens flashing and double layer roof lens create a completely water tight seal blocking moisture and condensation.

Will the Skylight Tube work on cloudy days?

Yes, the SkylightTube will pull in and reflect down any available ambient light.

How long does it take to install?



lective flexible
rbonate roof
il design
efficiency.

700155



Skylight Tube Lens Kit
\$39.99

home?

The double layer roof lens creates a dual pane effect minimizing solar heat gain and maximizing energy savings.

Do SkylightTubes leak?

The one piece roof lens flashing and double layer roof lens create a completely water tight seal blocking moisture and condensation.

Will the Skylight Tube work on cloudy days?

Yes, the SkylightTube will pull in and reflect down any available ambient light.

How long does it take to install?

About 2 hours for a professional and about one afternoon for a do-it-yourselfer.
If you would like to locate a certified installer, call our customer service representatives at 1-866-446-0966.

Will condensation build up in the tube or fixtures?

The one piece roof lens flashing and double layer roof lens create a completely water tight seal blocking moisture and condensation.

Choose Your Wood Species

Like all Simpson doors, our Nantucket® Collection is about building a door that is uniquely your own. That's why you can choose from four wood species options, each one as beautiful as it is durable. Because the grain patterns and color of natural wood will vary, your door will have a one-of-a-kind texture, warmth and personality.

Available Wood Species:

Douglas Fir Sapele Mahogany
Nootka Cypress Black Locust



77944 FP
Shown in fir with optional shaker sticking



77944 FP
Shown in sapele mahogany with optional shaker sticking



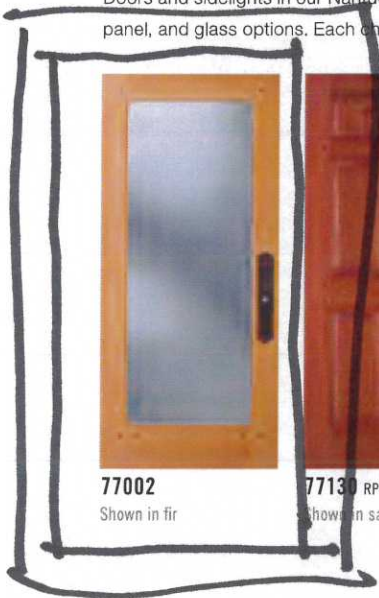
77944 FP
Shown in nootka cypress with optional shaker sticking



77944 FP
Shown in black locust with optional shaker sticking

Choose Your Design

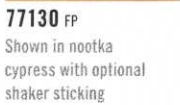
Doors and sidelights in our Nantucket Collection can be made to suit any style. Select from a broad range of choices including size, panel, and glass options. Each choice you make helps to construct your door's own distinctive character.



77002
Shown in fir



77130 RP
Shown in sapele mahogany



77130 FP
Shown in nootka cypress with optional shaker sticking



77044 RP
Shown in fir



77104
Shown in black locust with optional shaker sticking



77701
Shown in black locust



77702 FP
Shown in nootka cypress with optional shaker sticking

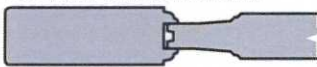


77663 RP
Shown in sapele mahogany with optional shaker sticking

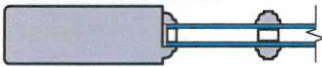
Choose Your Details

When you choose a handcrafted wood door from our Nantucket Collection, expect first-class quality down to the last detail. Choose from various panel options and sticking profiles to make your door both stylish and distinctive.

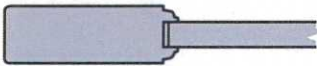
OVOLO WITH 1 1/8" INNERBOND® DOUBLE HIP-RAISED PANEL (RP)



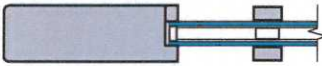
OVOLO SDL CONSTRUCTION



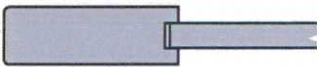
OVOLO WITH 3/4" FLAT PANEL (FP)



SHAKER SDL CONSTRUCTION



SHAKER WITH 3/4" FLAT PANEL (FP)



77660 RP
Shown in fir



77660 FP
Shown in fir



77660 FP
Shown in fir with optional shaker sticking





Explore Products > Decking & Railing > Enhance® Decking

ENHANCE® DECKING

SHARE:

Like Share



DECKING: ENHANCE® IN BEACH DUNE

Railing: Transcend® in Classic White with round aluminum balusters



DECKING COLORS

Basement Doors



Basement doors are ideal for access to basement storage areas and for moving large items into finished basement areas. The wide opening allows storage items such as deck and patio furniture, and large items such as pool tables and furniture, to be easily moved in and out of a basement. Doors meet IRC 2012 building code requirements for emergency egress in finished basement living areas and feature weather resistant construction.



Classic Series Steel Sided

Features:

- Patented gas spring lift assistance for improved operation
- Baked-on Sherwin Williams primer provides durable base for finish paint
- Slide bolt locking mechanism (optional keyed lock kit available)
- Flanged construction and J-channel header shed water and prevent binding due to ice and snow, permitting all-season use

Available with a Powder Coat Paint Finish

Eliminates the time and expense of painting the door yourself.

Color Choices



White



Sandstone

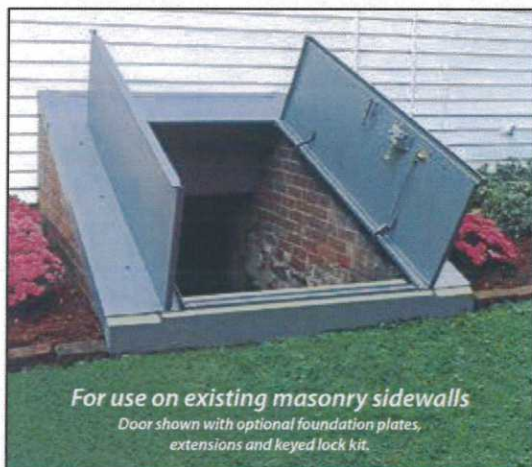


Light Gray



Brick

Only available on Classic Series doors, sizes B and C and extension panels.



For use on existing masonry sidewalls

Door shown with optional foundation plates, extensions and keyed lock kit.

Classic Series Sloped Wall

Features:

- Heavy-duty steel construction
- Baked-on Sherwin Williams primer provides durable base for finish paint
- Corrosion-resistant zinc-plated, chromate-sealed hardware
- Lift assistance provides easy, one-hand operation
- Slide bolt locking mechanism (optional keyed lock available)
- Versatile frame design and optional foundation plates and extension panels allow the door to accommodate virtually any areaway



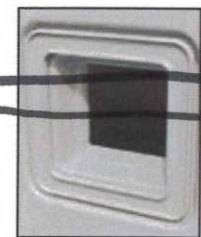
Available in Size C only

Ultra Series

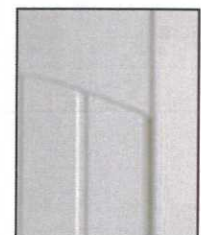
Pre-assembled for faster installation!

Features:

- Corrosion-resistant high-density, polyethylene construction
- Simulated wood design
- Pleasing driftwood color
- Will not rust and never needs painting
- Interchangeable side panel inserts allow homeowners to add light and/or ventilation to their basement areaway
- Motion dampers provided for safe and controlled door operation
- Slide bolt locking mechanism



Louver and screen side panel window inserts



Wood grain texture

For new home construction, see PermEntry Basement Entrance on page 6.

The Worldwide Source for Specialty Access Products

[HOME](#) [ABOUT BILCO](#) [CONTACT US](#) [CUSTOMER SERVICE](#) [ORDER PARTS](#) [TRADE SHOWS](#) [PRESS ROOM](#)

OUR PRODUCTS

COMMERCIAL

[Colt Ventilation Products](#)

[Colt Smoke & Fire Curtains](#)

[Roof Hatches](#)

[Automatic Smoke Vents](#)

[Floor Access Doors](#)

[Safety Products](#)

[Intrusion Detection](#)

RESIDENTIAL

[Bilco Basement Doors](#)

[Egress Window Wells](#)

[PermEntry Entrance](#)

[Contractor Programs](#)

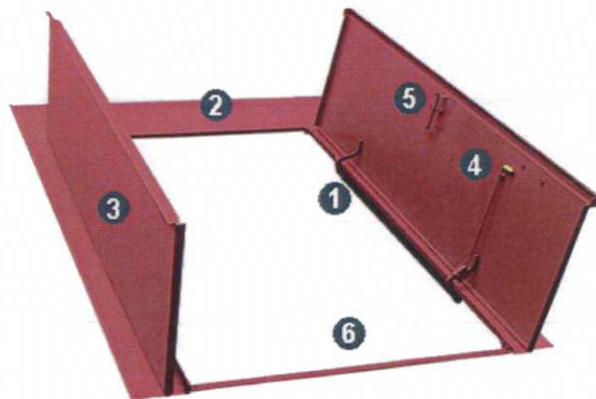
[Testimonials](#)



Classic Series SLW - Steel - Primer Finish

Type SLW doors are designed for installation on areaways with sloped sidewalls built into the homes foundation. Doors can be installed on sidewalls of brick, stone, block, or poured concrete and are supplied with instructions and hardware for proper installation.

[Description](#) [More Info](#) [Rep Finder](#) [Documents](#)



- 1. Easy to Operate...** Torsion-Cam Lift System assistance provides smooth, easy, one-hand operation and prevents the doors from slamming closed.
- 2. Weathertight...** Sheds water, keeps areaway dry and free of debris. Flanged construction sheds water and prevents binding due to ice and snow.
- 3. Rugged...** Heavy gauge steel and sturdy concealed hinges, protected from the weather ensure all-season operation and lasting service.

- 4. Durable...** Baked-on Sherwin Williams primer provides a durable base for finish paint (See painting instructions).
- 5. Secure...** Slide bolt lock and internal mounting flanges make your home safe and secure. Optional keyed lock kit available for exterior access.
- 6. Code-Compliant...** Satisfies IRC 2012 Building code requirements for emergency egress in finished basement areas.

*"It's only **Genuine Bilco**...if it says so on the handle"*



SEARCH OUR SITE

keyword(s) or Item #

SALES CONTACT FINDER

WARRANTY REGISTRATION

DOWNLOAD CENTER

[Submittal Drawings](#)
[CAD details](#)
[BIM Models](#)
[Specifications](#)
[Installation Instructions](#)
[Literature](#)

Find us on



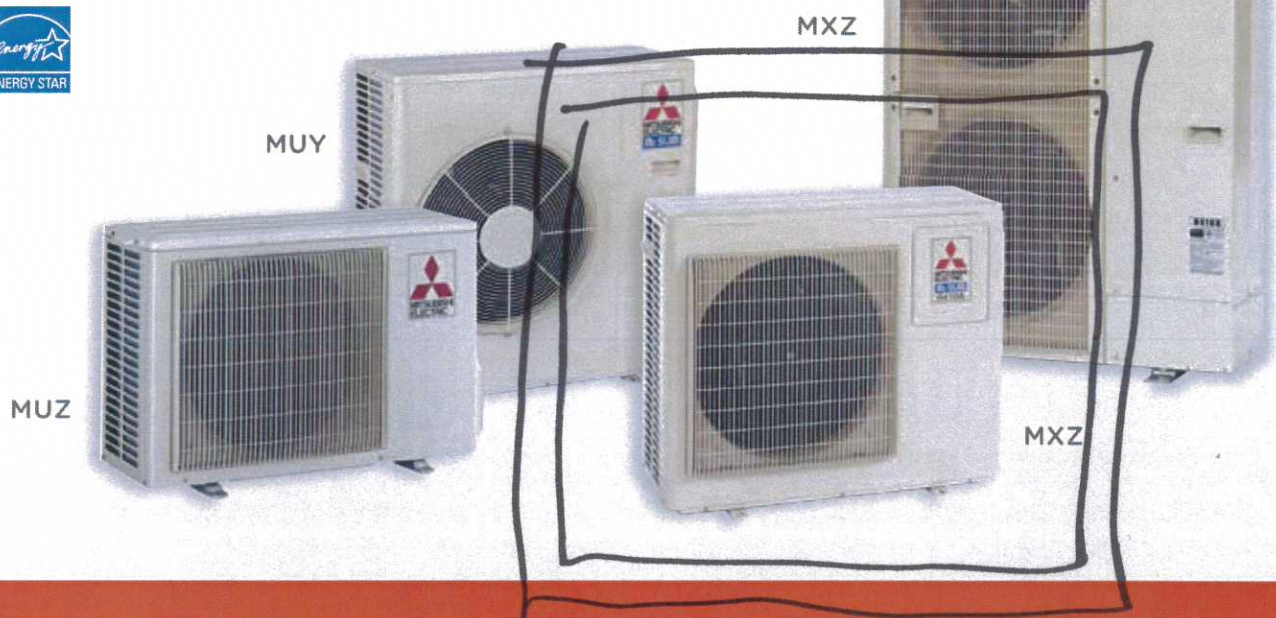
OUTDOOR UNITS



Single and multi-zone outdoor units

Mitsubishi Electric offers 12 models ranging 13 to 26 SEER, and from 2,800 to 34,600 BTUs. Each unit is specifically designed to power a single indoor unit for single room applications – or up to eight indoor units for multiple-room applications. Choose from more than 25 ENERGY STAR® qualified models, including energy efficiency ratings as high as 26 SEER. Talk to your authorized Mitsubishi Electric contractor about which combination will best fit your cooling and heating needs.

For tax credit details and forms, visit www.mitsubishicomfort.com/taxcredit
For details on state and utility rebates, visit www.dsireusa.org



MULTI-ZONE | MXZ-B | Heat Pump



Model Name		Outdoor Unit		MXZ-2B20NA-1 *5	MXZ-3B24NA-1 *6	MXZ-3B30NA-1	MXZ-4B36NA-1 *7	MXZ-5B42NA
Indoor Unit	Cooling *1 Non-ducted/ Ducted	Rated Capacity	Btu/h	18,000 / 20,000	22,000 / 23,600	28,400 / 27,400	35,400 / 34,400	40,800 / 37,200
		Capacity Range	Btu/h	7,800-20,000	12,600-22,000 / 12,600-25,500	12,600-28,400 / 12,600-27,400	12,600-36,400 / 12,600-34,800	12,600-43,000 / 12,600-41,000
		Total Input	W	2,190 (630-2,190)	2,460 (1,000-2,950)	3,330 (1,000-3,330)	3,940 (1,000-4,020)	4,800 (1,010-4,800)
	Heating at 47° F *2 Non-ducted/ Ducted	Rated Capacity	Btu/h	22,000 / 22,000	25,000 / 24,600	28,600 / 27,600	36,000 / 34,400	45,200 / 41,200
		Capacity Range	Btu/h	8,500-25,500	11,400-30,200 / 11,400-29,400	11,400-36,000 / 11,400-35,000	11,400-43,000 / 11,400-41,400	11,400-53,600 / 11,400-51,600
		Total Input	W	2,620 (520-2,620)	1,900 (740-2,600)	2,220 (740-2,820)	3,100 (740-3,940)	3,780 (750-5,100)
	Heating at 17° F *3 Non-ducted/ Ducted	Rated Capacity	Btu/h	12,500 / 12,500	14,000 / 14,000	16,000 / 15,100	22,200 / 20,300	23,100 / 21,800
		Rated Total Input	W	1,350 / 1,430	1,380 / 1,570	2,120 / 2,140	2,430 / 2,340	2,930 / 2,850
		Maximum Capacity	Btu/h	14,500 / 12,500	18,800 / 17,000	18,800 / 18,000	24,600 / 25,400	30,500 / 29,100
		Maximum Total Input	W	1,500 / 1,430	2,120 / 2,230	2,120 / 2,140	3,340 / 3,450	4,800 / 5,550
Heating at 5° F	Maximum Capacity	Btu/h	11,113	13,336	15,704	18,671	26,000	
Power Supply	Phase, Cycle, Voltage		1-phase, 60Hz, 208 / 230V *8					
Voltage	Indoor - Outdoor S1 - S2		AC 208 / 230V					
	Indoor - Outdoor S2 - S3		DC ±24V					
Outdoor Unit *4	MCA	A	15	18	23	36.2		
	MOCP	A	20		25	40		
	Fan Motor (ECM)	F.L.A.	0.96	0.93			1.90	
	Compressor	Model (Type)	DC INVERTER-driven Twin Rotary					
		R.L.A.	10.1	11		14.4		
		L.R.A.	15			27		
	Airflow (Cooling/Heating)	CFM	1,485 / 1,640	2,068 / 1,605	1,365 / 1,605	2,068 / 2,068	2,467 / 2,467	
	Refrigerant Control	Linear Expansion Valve						
	Defrost Method	Reverse Cycle						
	Sound Pressure Level at Cooling *1	dB(A)	49	54	49	54	58	
	Sound Pressure Level at Heating *2	dB(A)	51	49		57	58	
	External Finish Color	Munsell No. 3.0Y 7.8 / 1.1						
	Dimensions	W: In.	33-1/16	35-7/16			12-19/32	
		D: In.	13	12-5/8		42-1/8		
H: In.		27-15/16	35-7/16					
Weight		Lbs.	130	150	153	192		
Indoor Unit	No. of Units	2		2, 3	2, 3	2, 3, 4	2, 3, 4, 5	
Remote Controller	Type	Associated with the Indoor Unit						
Refrigerant	Type	R410A						
	Charge	Lbs., Oz.	5, 15	7, 11	8, 13	10, 9		
	Oil	Type (fl. oz.)	NEO22 (23.7)	NEO22 (29.4)		FV50S (36.2)		
Refrigerant Pipe	Gas Side O.D.	In.	A,B: 3/8	A: 1/2; B,C: 3/8		A: 1/2; B,C,D: 3/8	A: 1/2; B,C,D,E: 3/8	
	Liquid Side O.D.	In.	1/4					
Refrigerant Pipe Length	Height Difference (Max.)	Ft.	49/33 *9					
	Lineset length for each individual indoor unit (Max.)	Ft.	82					
	Length (Max.)	Ft.	164 (A+B)	230 (A+B+C)	230 (A+B+C+D)	262 (A+B+C+D+E)		
Connection Method	Indoor/Outdoor	Flared/Flared						

NOTES: Test conditions are based on AHRI 210/240. One indoor unit is turned off during low-speed testing under the new test conditions. **Systems actually exhibit higher energy efficiencies during normal operation.**

*1. Rating conditions (cooling)-Indoor: D.B. 80° F (27° C), W.B. 67° F (19° C);
Outdoor: D.B. 95° F (35° C), W.B. 75° F (24° C).

*2. Rating conditions (heating)-Indoor: D.B. 70° F (21° C), W.B. 60° F (16° C);
Outdoor: D.B. 47° F (8° C), W.B. 43° F (6° C).

*3. Rating conditions (heating)-Indoor: D.B. 70° F (21° C), W.B. 60° F (16° C);
Outdoor: D.B. 17° F (-8° C), W.B. 15° F (-9° C).

*4. Refer to pages 37-40 for Indoor Unit specifications.

*5. Data from combination of two Indoor Units 9,000 Btu/h (non-ducted) or one 9,000 Btu/h and one 12,000 Btu/h (ducted).

*6. Data from combination of two Indoor Units 6,000 Btu/h and one 9,000 Btu/h (non-ducted) or three 9,000 Btu/h (ducted).

*7. Data from combination of four Indoor Units 9,000 Btu/h (non-ducted and ducted).

*8. Indoor units receive power from outdoor units through field-supplied interconnected wiring.

*9. 49' Applies to installations where the outdoor unit is installed below the indoor unit. Power factor equals 97%.

Specifications are subject to change without notice.

LIMITED WARRANTY | Seven-year warranty on compressor. Five-year warranty on parts.

See page 41 for MXZ-B efficiency information.