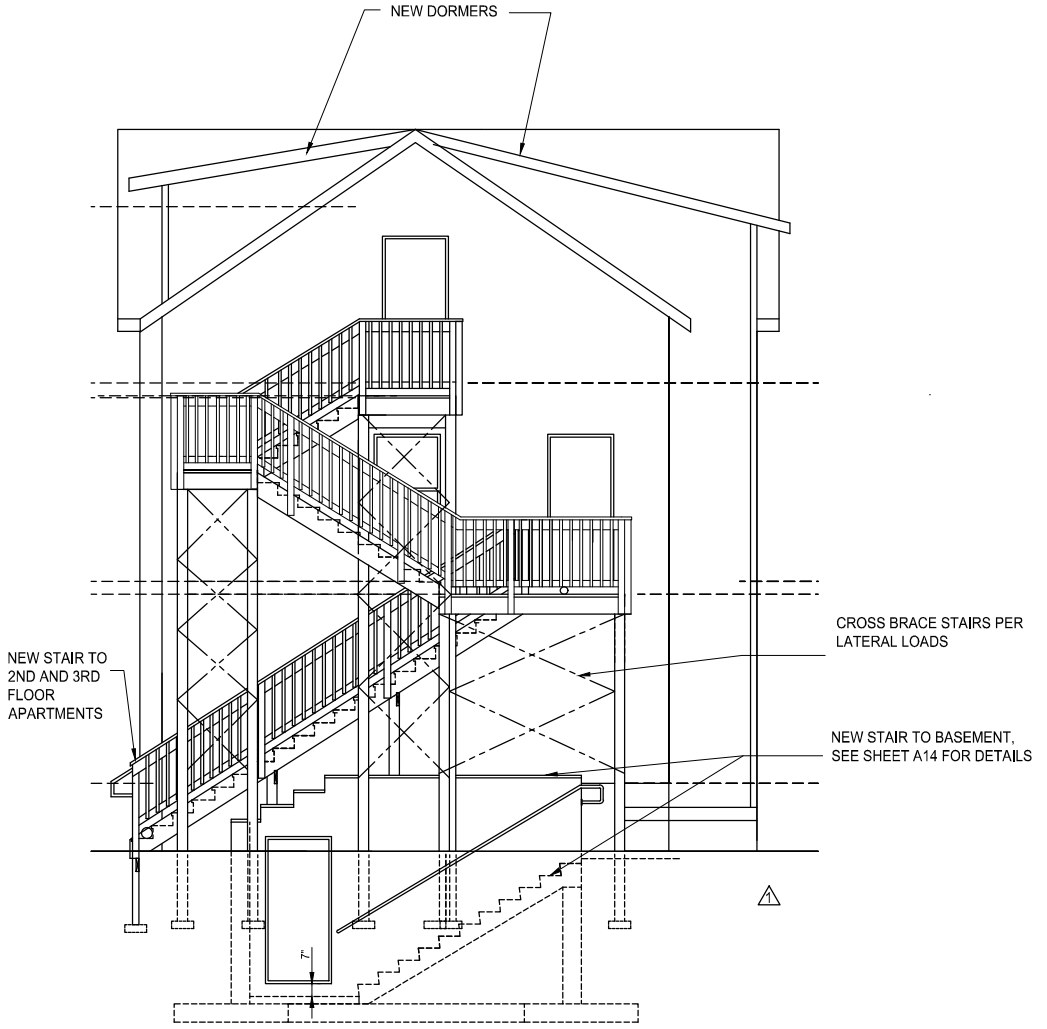


MARK:	DATE:	ISSUED FOR:	MARK:	DATE:	ISSUED FOR:
	4/26/22	DRAWN			
	9/6/22	PERMITS			
	10/7/22	REVISION 1			

SHEET SIZE  
 18x24  
 6 OF 14  
**A-6**



**NEW WEST ELEVATION**  
 SCALE: 1/4"=1'-0"



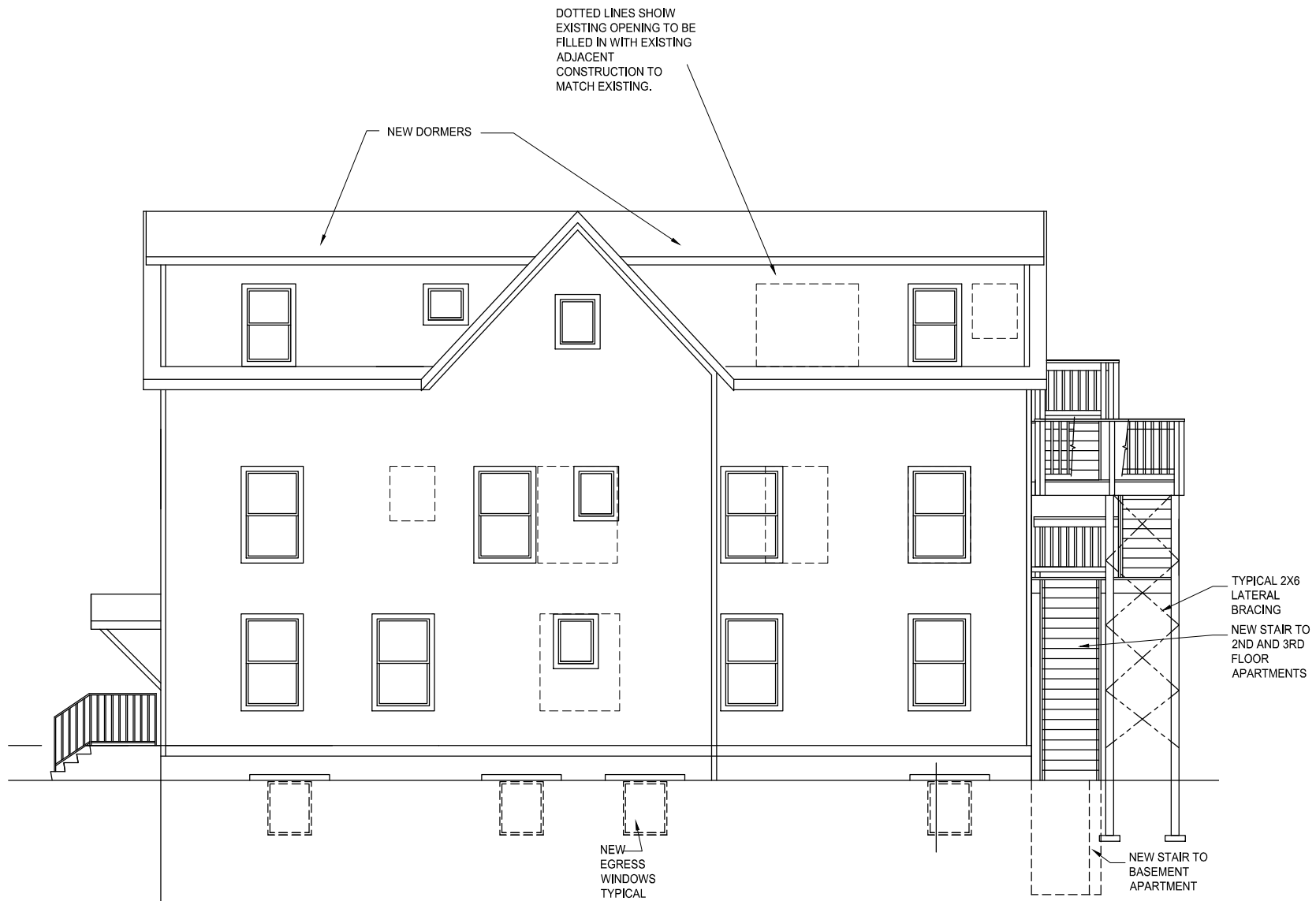
**NEW EAST ELEVATION**  
 SCALE: 1/4"=1'-0"



MARK:	ISSUED FOR:	DATE:	ISSUED FOR:	DATE:
	DRAWN	4/26/22	PERMITS	9/6/22
SHEET SIZE 18X24				
7 OF 14				
A-7				

DOTTED LINES SHOW  
 EXISTING OPENING TO BE  
 FILLED IN WITH EXISTING  
 ADJACENT  
 CONSTRUCTION TO  
 MATCH EXISTING.

NEW DORMERS



**NEW SOUTH ELEVATION**  
 SCALE: 1/4"=1'-0"



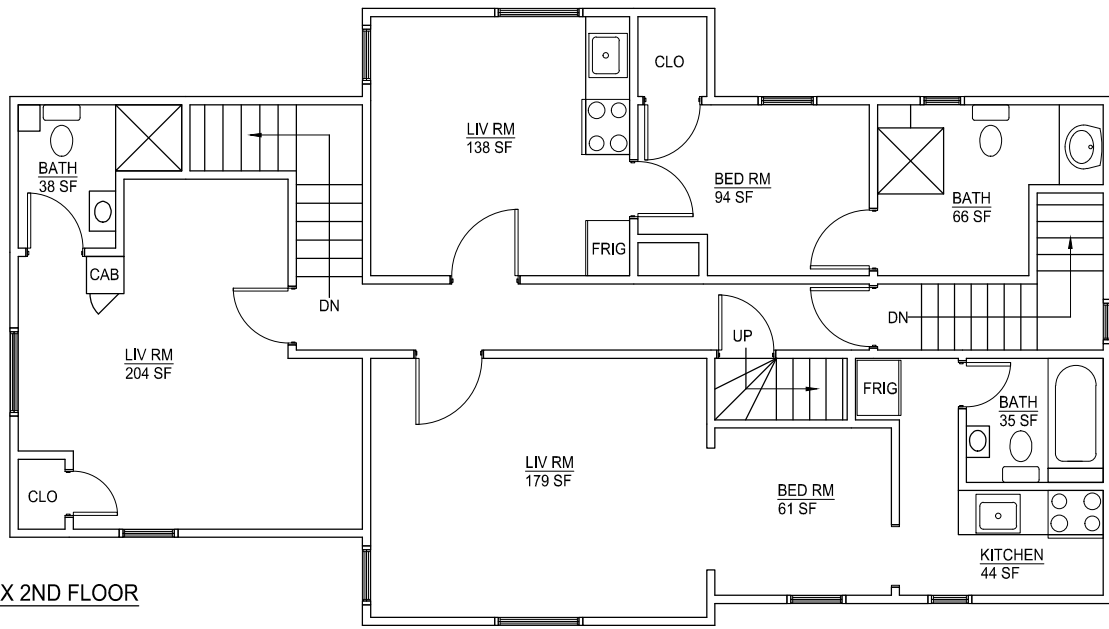
MARK:	ISSUED FOR:	DATE:	ISSUED FOR:	DATE:
△	DRAWN	11/8/22	REVISION 2	
△	PERMITS	9/6/22	REVISION 1	
△		10/7/22	REVISION 1	

SHEET SIZE  
 18X24  
 8 OF 14  
**A-8**

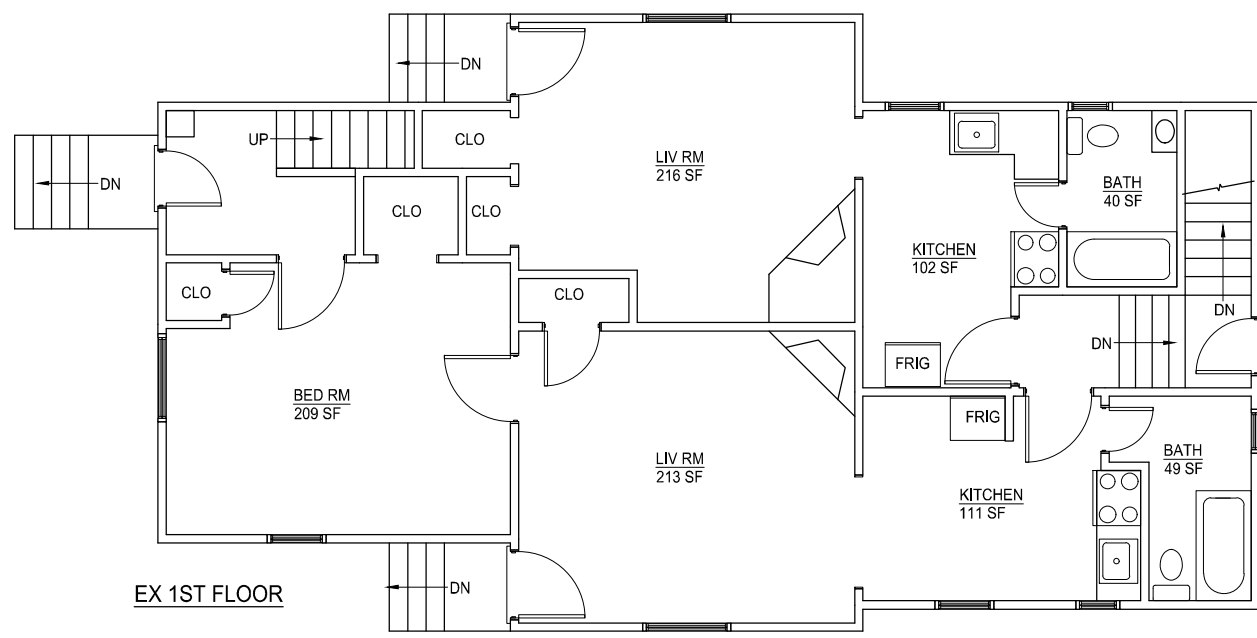


**NEW NORTH ELEVATION**  
 SCALE: 1/4"=1'-0"





EX 2ND FLOOR



EX 1ST FLOOR

SHEET TITLE:  
**EXISTING PLANS**  
 SCALE: 1/8"=1'-0"

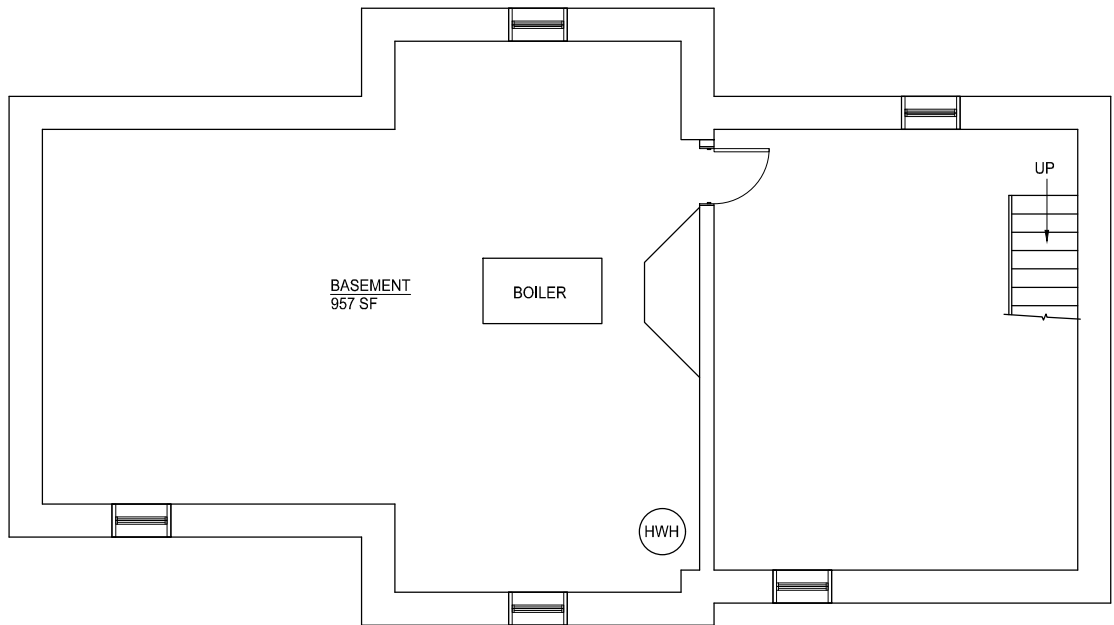
PROJECT LOCATION:  
**413 S DIVISION ANN  
 ARBOR, MI**

PROJECT TITLE:  
**RENOVATION**

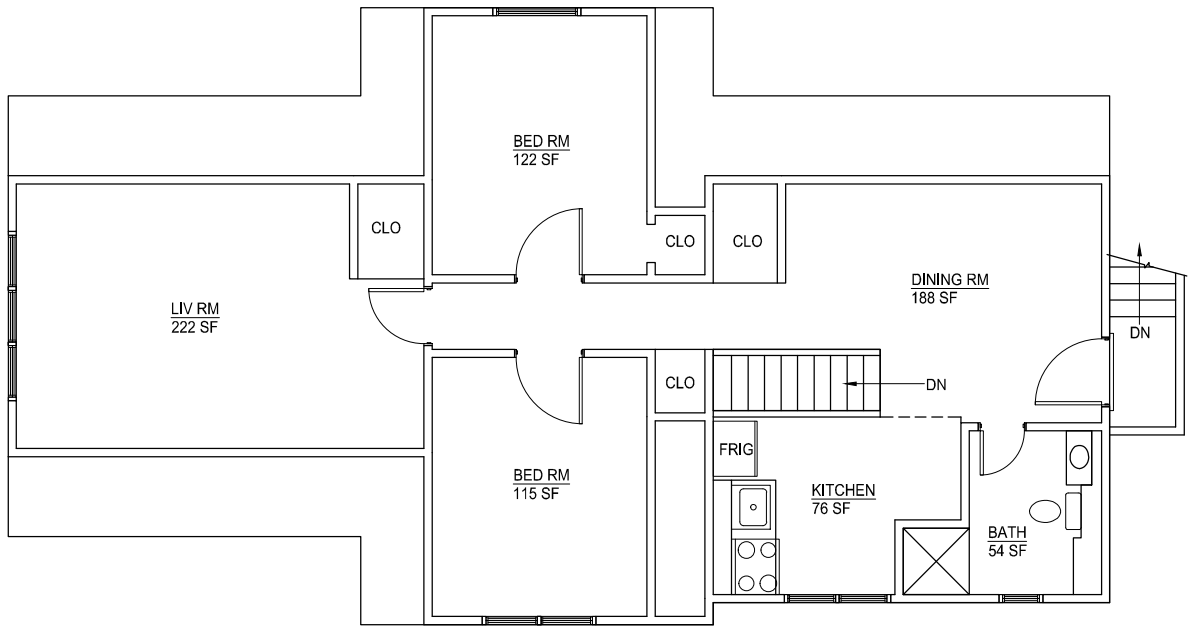
ISSUED FOR:	DATE:	MARK:	ISSUED FOR:	DATE:	MARK:
			DRAWN	4/26/22	
			PERMITS	9/6/22	

SHEET SIZE  
 18X24  
 9 OF 14  
 A-9





EX BASEMENT

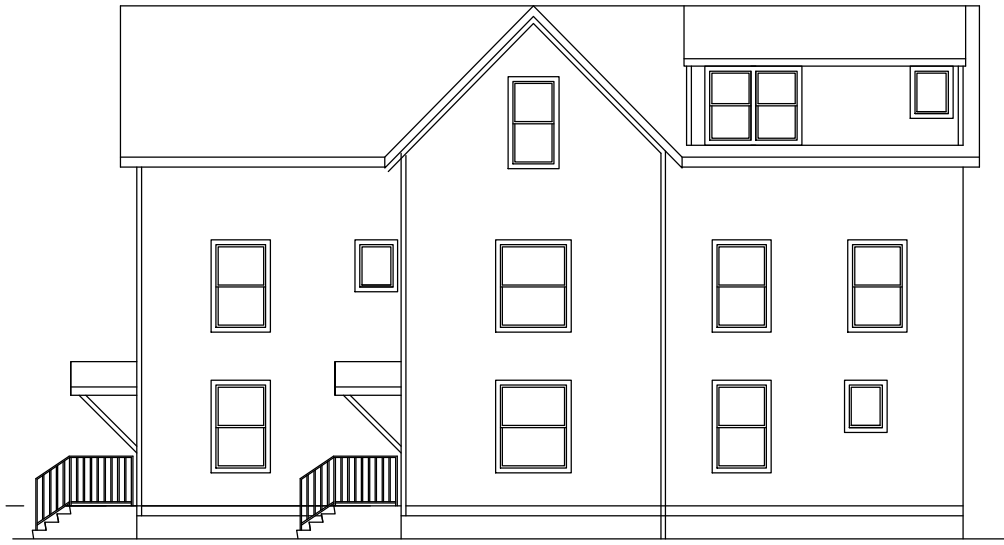


EX 3RD FLOOR

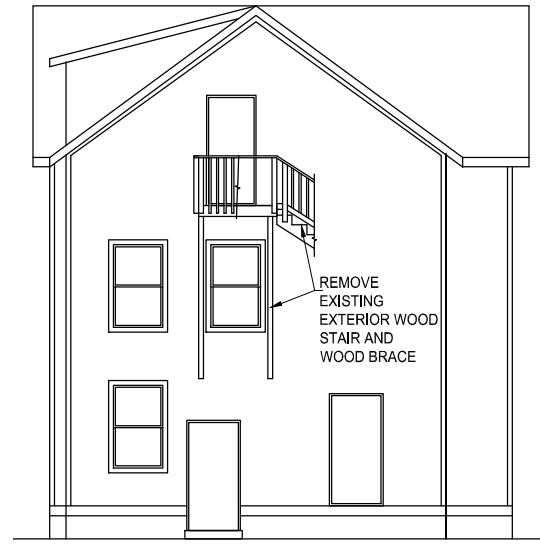


MARK:	DATE:	ISSUED FOR:	MARK:	DATE:	ISSUED FOR:
	4/26/22	DRAWN			
	9/6/22	PERMITS			

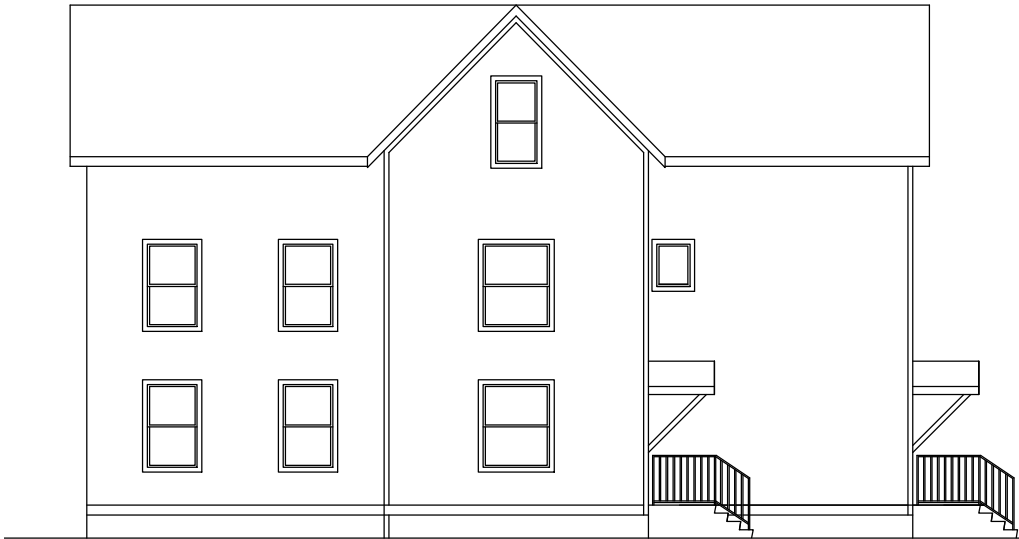
SHEET SIZE  
 18X24  
 10 OF 14  
 A-10



**EXISTING SOUTH ELEVATION**  
SCALE: 3/16"=1'-0"



**EXISTING EAST ELEVATION**  
SCALE: 3/16"=1'-0"



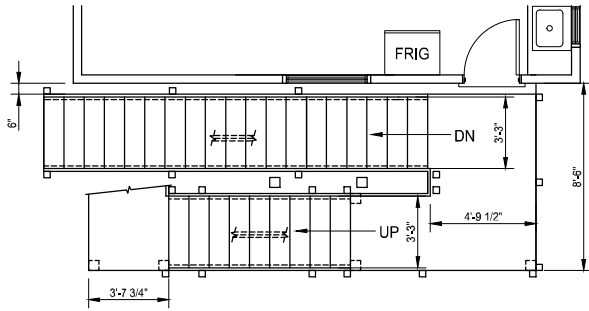
**EXISTING NORTH ELEVATION**  
SCALE: 3/16"=1'-0"



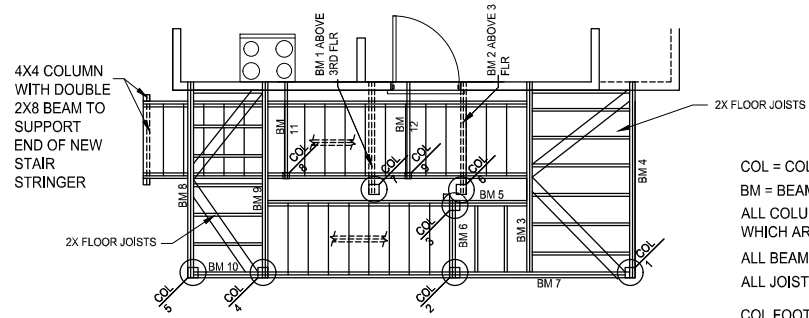
**EXISTING WEST ELEVATION**  
SCALE: 3/16"=1'-0"

MARK:	DATE:	ISSUED FOR:	MARK:	DATE:	ISSUED FOR:
	4/26/22	DRAWN			
	9/6/22	PERMITS			

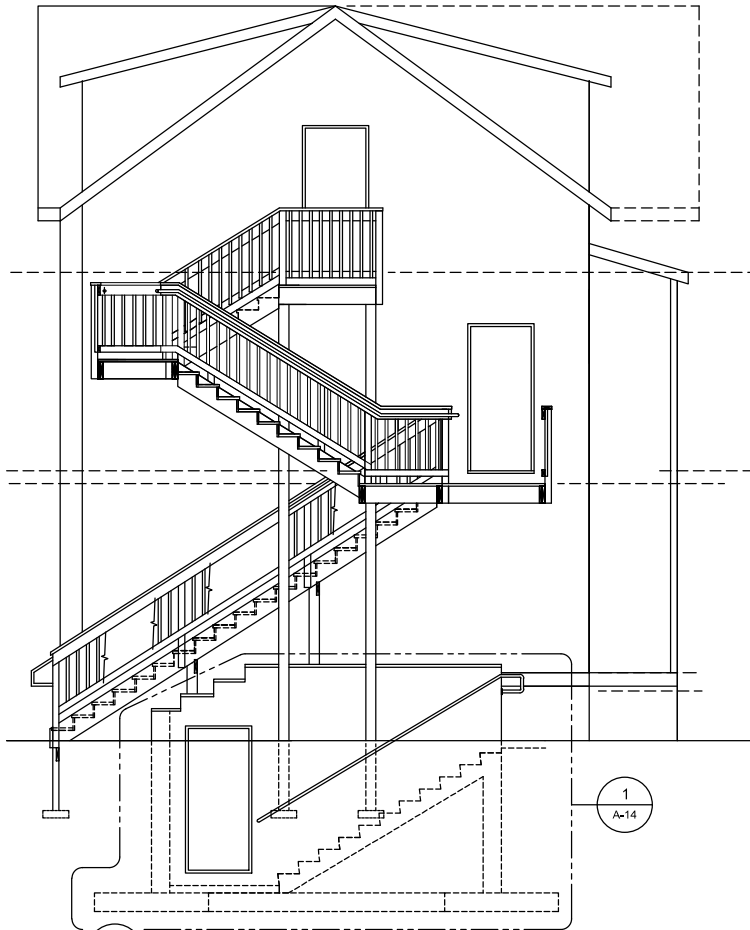




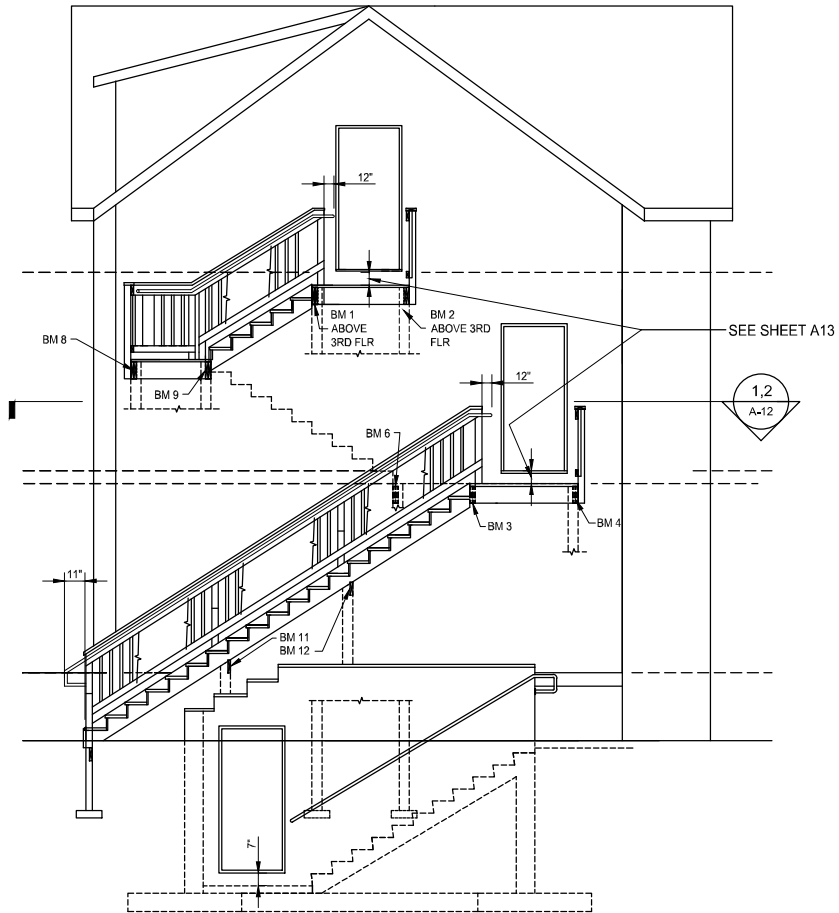
1 PLAN SECTION  
A-12 SCALE: 3/16"=1'-0"



2 PLAN FRAMING  
A12 SCALE: 1/4"=1'-0"



1 SECTION  
A-13 SCALE: 1/4"=1'-0"



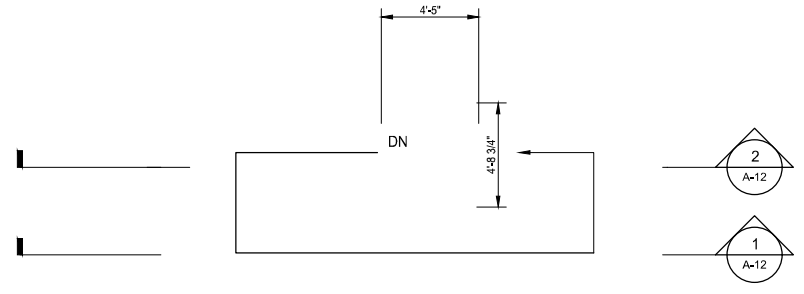
2 SECTION  
A-13 SCALE: 1/4"=1'-0"

ISSUED FOR:	DATE:	MARK:	ISSUED FOR:	DATE:	MARK:
			DRAWN	4/26/22	
			PERMITS	9/6/22	
			REVISION 1	10/7/22	

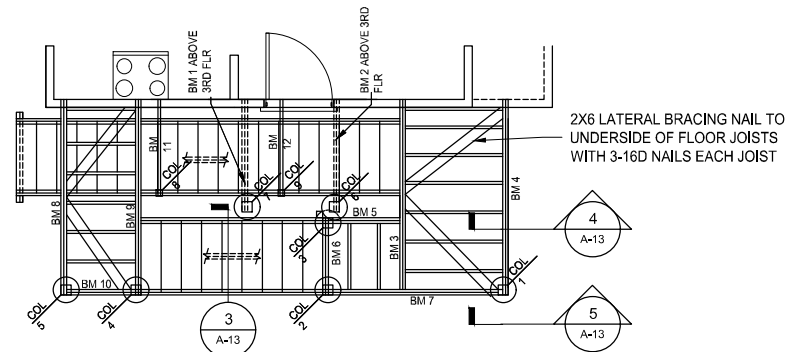
SHEET SIZE  
18X24  
12 OF 14  
A-12



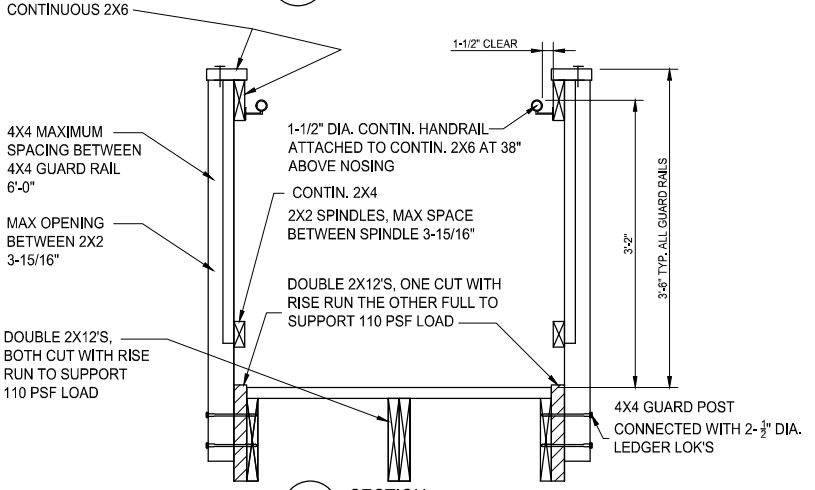
ISSUED FOR:	DATE:	MARK:	ISSUED FOR:	DATE:	MARK:
			4/26/22	4/26/22	4/26/22
			9/6/22	9/6/22	9/6/22
			10/7/22	10/7/22	10/7/22



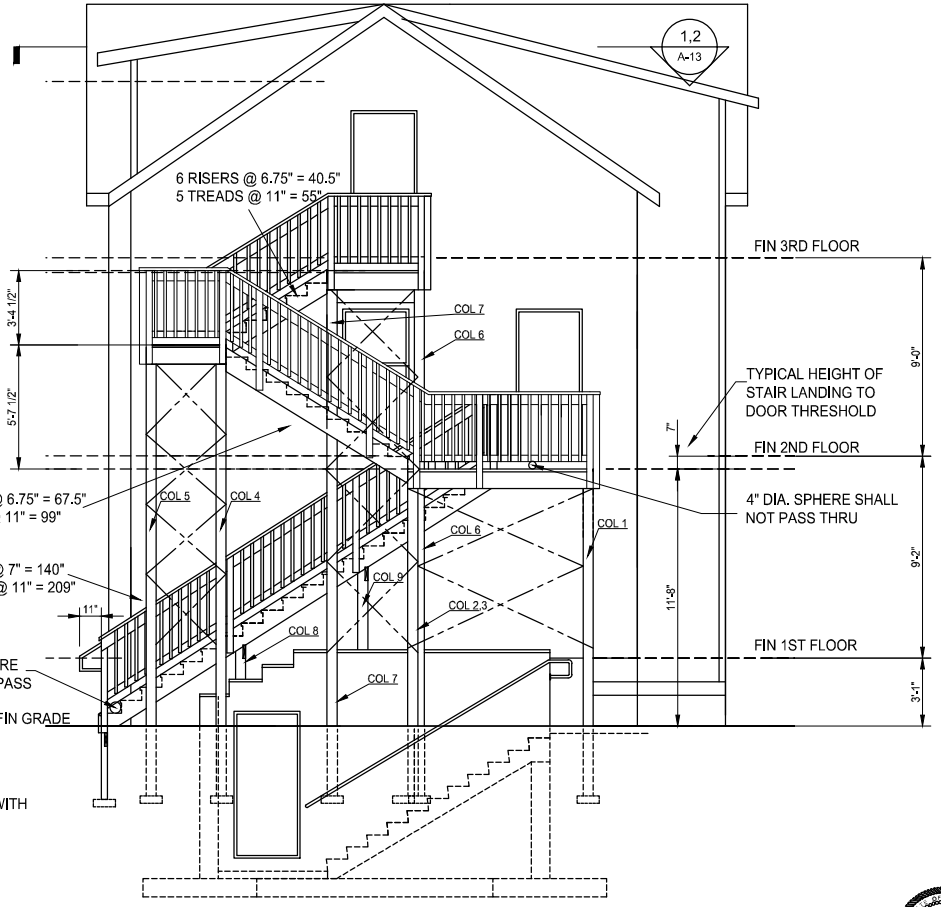
**1 STAIR PLAN**  
 SCALE: 3/16"=1'-0"



**2 PLAN FRAMING**  
 SCALE: 1/4"=1'-0"

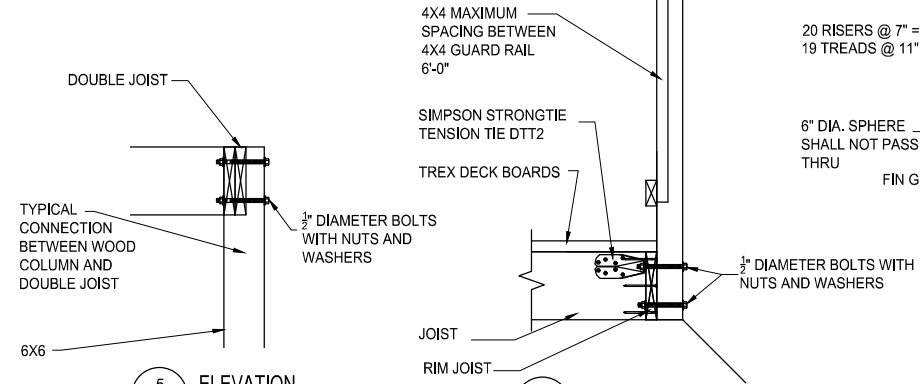


**3 SECTION**  
 SCALE: 1"=1'-0"



**NEW EAST ELEVATION**  
 SCALE: 1/4"=1'-0"

MAXIMUM STAIR RISE = 7"  
 MINIMUM STAIR TREAD = 11"



**4 SECTION**  
 SCALE: 1"=1'-0"

**5 ELEVATION**  
 SCALE: 1"=1'-0"





