

**SIGN DIMENSION**

**TOTAL SQFT = 73.5**



**Channel Letter  
Sign 6'x9'**

**LED Sign  
25" x 112.5"**

Company Name	Project Name	Project Address	Project Details	Complete By	Customer Approval
<b>PROCAM</b>	LED DIGITAL SIGN	2015 W Stadium Blvd, Ann Arbor, MI 48103	Wall LED digital sign with connected box sign printing face with light.	Drawn By: Eddie Sales Rep: MIKE Date: 1 / 25 / 2024	Signature:  Date: / / 2024

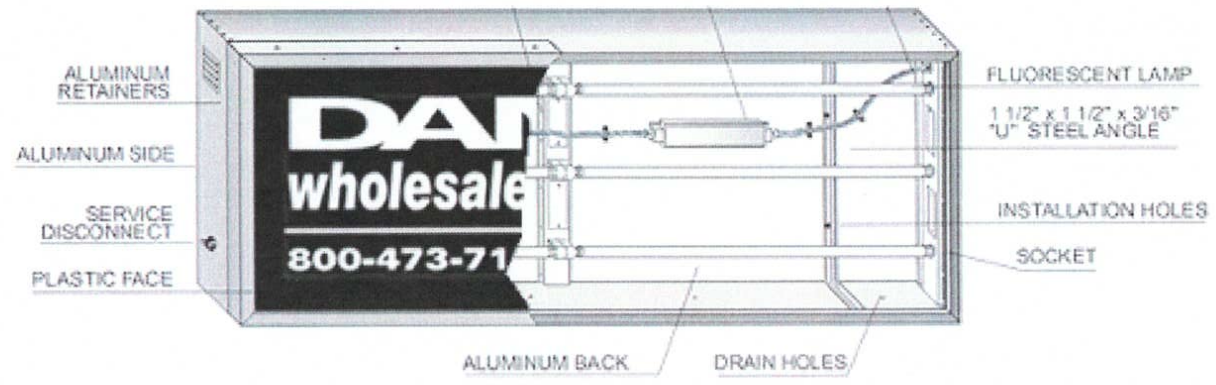
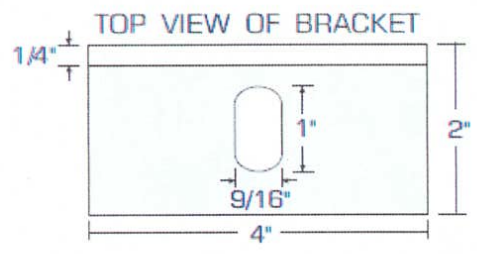
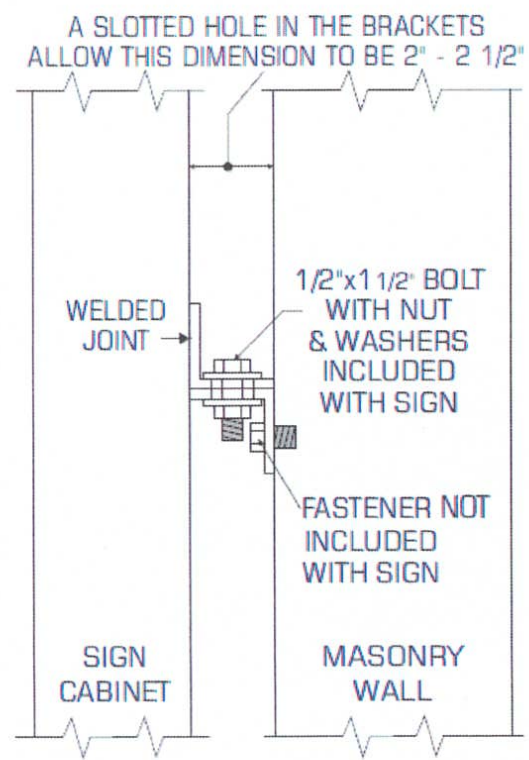
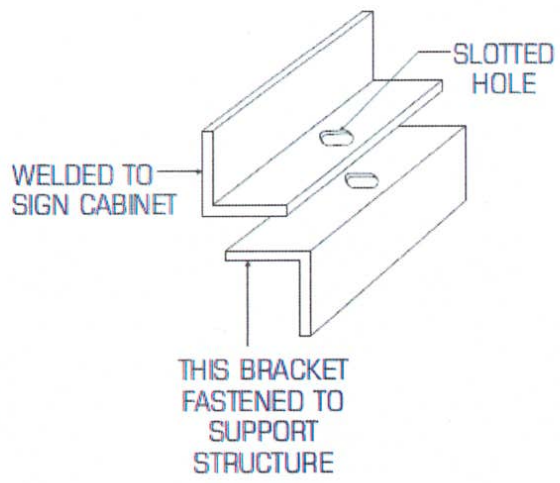
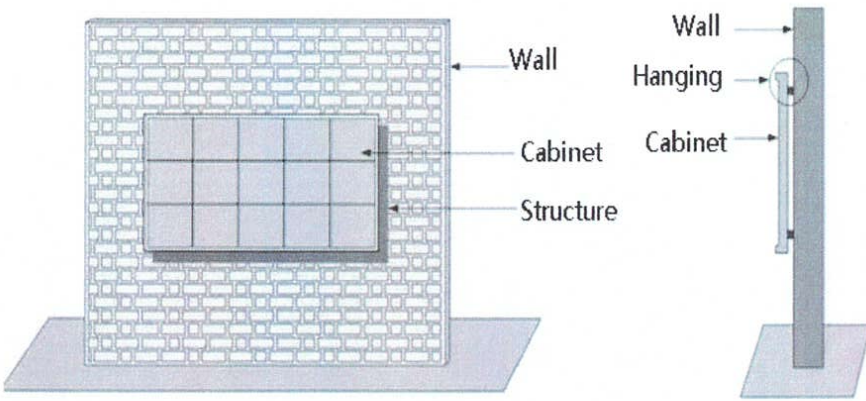
**DISCLAIMER - This drawing is conceptual and was prepared to show approximate location, arrangement, size and color of**



SIGN(S) TO BE MANUFACTURED IN ACCORDANCE WITH ARTICLE 609 OF THE NATIONAL ELECTRICAL CODE AND/OR OTHER APPLICABLE LOCAL CODE. THIS INCLUDES PROPER GROUNDING AND BONDING.

# SIGN SPECIFICATIONS

# WALL MOUNTING LED DIGITAL & BOX SIGN

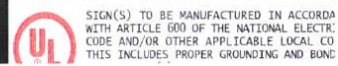


## PRODUCTION DETAILS

- Contour Channel or Custom Shaped Logos.
- Machine Letter-Lok or Welded.
- 3/16" Acrylic Faces.
- 3/4" or 1" Jewelite Trim.
- 3" to 5" depth .040 or .063 return coil.
- Pre-finished Coil or Custom painted.
- 3mm ACM or .063 Aluminum.
- LED illuminations or Non illuminated.
- Pre-wired Remote or Raceway mounted.
- U.L. listed approved LED & power supply.
- U.L. listed approved ON/OFF switch.
- Pre-wired / U.L. Listed.

Company Name	Project Name	Project Address	Project Details	Complete By	Customer Approval
<b>PROCAM</b>	LED DIGITAL SIGN	2015 W Stadium Blvd, Ann Arbor, MI 48103	Wall LED digital sign with connected box sign printing face with light.	Drawn By: Eddie Sales Rep: MIKE Date: 1 / 25 / 2024	Signature:  Date: / /2024

DISCLAIMER - This drawing is conceptual and was prepared to show approximate location, arrangement, size and color of




# SIGN RENDERING



Company Name	Project Name	Project Address	Project Details	Complete By	Customer Approval
<b>PROCAM</b>	LED DIGITAL SIGN	2015 W Stadium Blvd, Ann Arbor, MI 48103	Wall LED digital sign with connected box sign printing face with light.	Drawn By: Eddie Sales Rep: MIKE Date: 1 / 25 / 2024	Signature:  Date: / /2024

**DISCLAIMER** - This drawing is conceptual and was prepared to show approximate location, arrangement, size and color of signs. This is not a contract and is not intended to be used as a construction document or for actual field dimensions.

 SIGN(S) TO BE MANUFACTURED IN ACCORDANCE WITH ARTICLE 600 OF THE NATIONAL ELECTRICAL CODE AND/OR OTHER APPLICABLE LOCAL CODES. THIS INCLUDES PROPER GROUNDING AND BONDING.