

CITY OF ANN ARBOR  
INVITATION TO BID



Rock Creek Sanitary Sewer Repair

ITB No. 4526

Wednesday, July 25, 2018 by 2:00 PM

Public Services Area  
Public Works Unit

Issued By:

City of Ann Arbor  
Procurement Unit  
301 E. Huron Street  
Ann Arbor, MI 48104

# ADDENDUM No. 1

ITB No. 4526

## Rock Creek Sanitary Sewer Repair

**Due: July 25, 2018 at 2:00 P.M. (Local Time)**

The following changes, additions, and/or deletions shall be made to the Invitation to Bid for **Rock Creek Sanitary Sewer Repair, ITB No. 4526**, on which proposals will be received on/or before July 25, 2018, by 2:00 P.M. (Local Time).

The information contained herein shall take precedence over the original documents and all previous addenda (if any), and is appended thereto. **This Addendum includes 2 page(s).**

**Bidder is to acknowledge receipt of this Addendum No. 1, including all attachments (if any) in its Bid by so indicating on pages ITB-1 of the Invitation to Bid Form. Bids submitted without acknowledgement of receipt of this addendum will be considered nonconforming.**

The following forms provided within the ITB Document must be included in submitted bids at bid opening.

- City of Ann Arbor Prevailing Wage Declaration of Compliance
- City of Ann Arbor Living Wage Ordinance Declaration of Compliance
- Vendor Conflict of Interest Disclosure Form
- City of Ann Arbor Non-Discrimination Ordinance Declaration of Compliance

**Bids that fail to provide these completed forms listed above upon bid opening will be rejected as non-responsive and will not be considered for award.**

## I. CORRECTIONS/ADDITIONS/DELETIONS

### Section/Page(s)

### Change

Instructions to Bidders/Page IB-1

The deadline for project questions has been extended until Tuesday, July 17, 2018.

## II. QUESTIONS AND ANSWERS

The following Questions have been received by the City. Responses are being provided in accordance with the terms of the ITB.

**Question #1:** Will the property at 485 Rock Creek Drive be made available for a site walkthrough?

**Answer:** Yes, the site will be accessible to all interested bidders on Monday, July 16, 2018 between 10:00 am and 12:00 pm. City staff will be onsite to facilitate the site walkthrough.

Bidders are responsible for any conclusions that they may draw from the information contained in the Addendum.

## ADDENDUM No. 2

ITB No. 4526

### Rock Creek Sanitary Sewer Repair

**Due: July 25, 2018 at 2:00 P.M. (Local Time)**

The following changes, additions, and/or deletions shall be made to the Invitation to Bid for **Rock Creek Sanitary Sewer Repair, ITB No. 4526**, on which proposals will be received on/or before July 25, 2018, by 2:00 P.M. (Local Time).

The information contained herein shall take precedence over the original documents and all previous addenda (if any), and is appended thereto. **This Addendum includes 15 page(s).**

**Bidder is to acknowledge receipt of this Addendum No. 2, including all attachments (if any) in its Bid by so indicating on pages ITB-1 of the Invitation to Bid Form. Bids submitted without acknowledgement of receipt of this addendum will be considered nonconforming.**

The following forms provided within the ITB Document must be included in submitted bids at bid opening.

- **City of Ann Arbor Prevailing Wage Declaration of Compliance**
- **City of Ann Arbor Living Wage Ordinance Declaration of Compliance**
- **Vendor Conflict of Interest Disclosure Form**
- **City of Ann Arbor Non-Discrimination Ordinance Declaration of Compliance**

**Bids that fail to provide these completed forms listed above upon bid opening will be rejected as non-responsive and will not be considered for award.**

## I. CORRECTIONS/ADDITIONS/DELETIONS

### Section/Page(s)

### Change

Bid Form/Page IB-1

Corrected bid form issues related to bid items with maximum bid amounts. Revised Bid Item #214 to reflect the change to an allowance item.

Detailed Specification  
for Construction Sequencing

Revised to provide additional sewer bypass specifications.

Detailed Specification  
for Restoration Special

Revised to clarify landscaping requirements and payment.

Drawing No. 2

Revised to include the proposed sewer bypass layout.

## II. QUESTIONS AND ANSWERS

The following Questions have been received by the City. Responses are being provided in accordance with the terms of the ITB.

**Question #1:** Can soil information be provided for this project?

**Answer:** Included with this Addendum is a soil boring obtained in 2012 within the road adjacent to the property at 485 Rock Creek Drive. The data described above is furnished for information only, and it shall be expressly understood that the City and/or the Engineer will not be held responsible for any interpretation or conclusions drawn therefrom by the Contractor.

**Question #2:** Can strapped wolmanized wood shims be used in place of casing spacers for the section of sewer installed by bore?

**Answer:** Yes, in accordance with City Standard Detail SD-S-13, which is attached to this Addendum.

**Question #3:** Can flow rates for the existing sewer be provided?

**Answer:** Peak wet weather flows within the sewer are approximately 110 gallons per minute. Peak dry weather flows within the sewer are approximately 20 gallons per minute.

**Question #4:** Will the Owner please provide a copy of the pre-bid meeting sign in sheet?

**Answer:** The pre-bid meeting sign-in sheet is attached.

Bidders are responsible for any conclusions that they may draw from the information contained in the Addendum.

# BID FORM

## Section 1 – Schedule of Prices

Company: \_\_\_\_\_

Project: **Rock Creek Sanitary Sewer Repair**

**Unit Price Bid –**

<u>Item</u>	<u>Description</u>	<u>Unit</u>	<u>Estimated Quantity</u>	<u>Unit Price</u>	<u>Total Cost</u>
200	General Conditions, Max \$30,000	LS	1	\$ _____	\$ _____
201	Project Supervision, Max \$5,000	LS	1	\$ _____	\$ _____
202	Audio-visual Recording	LS	1	\$ _____	\$ _____
203	Minor Traffic Control, Max \$2,500	LS	1	\$ _____	\$ _____
204	Erosion Control, Inlet Filter	EA	2	\$ _____	\$ _____
205	Erosion Control, Silt Fence	FT	100	\$ _____	\$ _____
206	Sewer, SDR 35 PVC Pipe, 12 inch, Tr Det A	FT	70	\$ _____	\$ _____
207	Wye, SDR 35 PVC, 6 inch	EA	1	\$ _____	\$ _____
208	Sewer, SDR 35 PVC Pipe, Service Lead, 6 inch, Tr Det A	FT	45	\$ _____	\$ _____
209	Sanitary Sewer Cleanout	EA	2	\$ _____	\$ _____
210	Dr Str, Manhole, Type I, 48 inch dia, Sanitary	EA	3	\$ _____	\$ _____
211	Dr Str, Manhole, Type I, Addt'l Depth, 48 inch dia, Sanitary	FT	10	\$ _____	\$ _____
212	Restoration, Special	SYD	450	\$ _____	\$ _____
213	Site Tree and Shrub Removals	LS	1	\$ _____	\$ _____
214	Landscaping, Allowance \$15,000	ALW	1	\$ <u>\$15,000</u>	\$ <u>\$15,000</u>
215	Structure Covers	LBS	1200	\$ _____	\$ _____
380	Sewer, Boring & Jacking 12" Inside 24" Casing	LF	80	\$ _____	\$ _____
385	Sewer Pipe Abandonment	LF	125	\$ _____	\$ _____
386	Sewer Manhole Abandonment	EA	1	\$ _____	\$ _____

**ESTIMATED TOTAL**

**\$ \_\_\_\_\_**

CITY OF ANN ARBOR  
DETAILED SPECIFICATION  
FOR  
**CONSTRUCTION SEQUENCING**

101

1 of 2

2/5/18

This section is intended as an outline of the desired sequence of sewer construction and restoration and does not include the full range of materials and processes needed to complete the work. Stations referenced are found along the centerline of sewer main construction.

1. Sewer Installation Stage 1 - Trenchless Installation - Construct 12" sewer main bore in the location as shown on the drawings. Bore shall be completed so that bypass pumping of the existing sewer main is not needed.

Location of the bore pit shall be as shown on the drawings and installed so as to minimize the disruption to landscaping in the area.

Work to include pit excavation, installation of casing pipe and interior carrier pipe as shown on the drawings and preparation for connection to carrier pipe on either end of the bore.

2. Sewer Installation Stage 2 – Construct sanitary sewer manholes 1 and 2 as shown on the drawings. Sanitary sewer manhole 1 shall be a doghouse-type manhole constructed on the existing 12 inch sewer main.

Sanitary sewer piping between manhole 1 and 2 shall be constructed and tested per standard specifications. No 30 day wait period prior to mandrel testing.

The Contractor shall provide for the bypass of main line flow around the sewer repair as necessary during the construction sequence. Construction shall be sequenced to minimize necessary bypass pumping as much as possible.

During wet weather events, the flow in the sewer will rise rapidly and may become surcharged. The Contractor shall maintain flow in such a manner as the existing flow can be adequately transported including wet weather flow. The 12" sewer main on this project has an approximate wet weather peak flow of 110 gallons per minute. The Contractor shall furnish, install, operate, and maintain temporary pumping facilities to service the upstream area including piping, pumps, sumps, controls, temporary plugs, and bulkheads. All pumps and generators shall be sound attenuated. Pump or generator noise shall be kept at or below 40 decibels at 100 feet from the source.

For sanitary sewerage, by-pass piping shall be steel, PVC Schedule 80, ABS truss pipe, or equivalent with solvent welded joints; HDPE with butt fused joints; or other completely watertight joints.

All by-passed flow shall be discharged to a sanitary sewer of acceptable size to handle the bypassed and existing flows. A proposed bypass pumping layout is provided on the Contract Drawings. Contractor shall install the bypass piping such that access is maintained at all driveways and along the roadway.

The Contractor shall plan his operation such that there will be no backups, leaks, or discharges of pollutants. The Contractor shall be completely responsible for any leaks,

spills, or discharges of effluent or other pollutants.

The Contractor shall also furnish and have available on-site, redundant pumping facilities in case of any failure of the pumping system including pumps, piping, electrical, connections, etc. Redundant pumping facilities also include having a backup power generator in case the primary power source fails. The Contractor shall provide an adequate labor force to oversee the by-pass pumping including providing labor to maintain 24 hour per day operation and emergency backup service. The Contractor will not be allowed to obstruct flows in any sewer unless the primary and redundant pumping and by-passing equipment is on site and in an operable condition.

All costs for pumping and by-passing flow shall be included in the unit price bid for sewer and manhole bid items.

The Contractor shall submit a by-pass pumping/diversion scheme to the Engineer for approval not less than 15 days prior to any anticipated by-pass pumping/diversion. By-pass plan shall include pumping capacity and expected flow rates. The Contractor will not be allowed to by-pass any flows until the by-pass pumping plan has been reviewed and accepted by the Engineer. Contract time shall continue while the by-pass plan is being reviewed and during the time requested revisions are being made. Delays encountered due to Engineer requested revisions shall not be considered for an extension of contract time.

Provision for temporarily handling the sewage from 485 Rock Creek must be maintained during period of time when 12 inch existing sewer is not in service. The lateral connection for 485 Rock Creek is shown on the drawings.

3. Sewer Installation Stage 3 – Construct sanitary sewer manhole 3 as shown on the drawings.

Bypass pumping or other flow diversion shall be performed to provide for suitable construction environment. Bypass pumping plan to be submitted for approval by the City.

Sanitary sewer manhole 3 shall be a standard manhole connected to the existing sanitary sewer and proposed sanitary as indicated in the standard specifications. Sanitary sewer piping between manhole 2 and 3 shall be constructed and tested per standard specifications. No mandrel testing required.

Construction of house service lateral piping to be completed per standard specifications after all testing of proposed sewer main and acceptance by the Owner.

4. Sewer Abandonment and Site Restoration – Existing sewer between manholes 1 and 3 shall be abandoned in place and filled with grout per detailed specification.

Immediately upon completed of abandonment of the sewer, all site restoration shall be completed. Temporary soil erosion control measures shall be left in place until restoration is established.



CITY OF ANN ARBOR  
DETAILED SPECIFICATION  
FOR  
RESTORATION SPECIAL

212-14

1 of 3

02/05/18

**a. Description.** This work consists of preparing all manicured lawns and slopes on non-freeway projects designated for slope restoration on the plans or by the Engineer, and applying topsoil, fertilizer, seed, and mulch to those areas. Turf establishment shall be in accordance with section 816 of the Michigan Department of Transportation (MDOT) 2012 Standard Specifications for Construction and Standard Plan Series R-100, except as modified herein or otherwise directed by the Engineer.

**b. Materials.** The materials and application rates specified in sections 816 and 917 of the MDOT 2012 Standard Specifications for Construction apply unless modified by this special provision or otherwise directed by the Engineer.

1. Topsoil Surface: Place **4 inches** of topsoil in area disturbed areas to be restored. Topsoil shall be free of all stones one inch in diameter or greater.
2. Turf Seed Mixture: Use seed mixture type THM (Turf Loamy to Heavy).
3. Chemical Fertilizer Nutrient: Use Class A fertilizer.
4. Use Mulch Blankets on all areas to be restored. Mulch blankets shall be 100% coconut fiber (0.50 lbs/syd), with 100% biodegradable jute fiber netting (Top - 9.30lbs/1000sft, Bottom – 7.7lbs/1000sft).
5. Landscaping Trees and Bushes

**c. Construction.** Construction methods shall be in accordance to subsection 816.03 of the MDOT 2012 Standard Specifications for Construction. Begin this work as soon as possible after final grading of the areas designated for slope restoration but no later than the maximum time frames stated in subsection 208.03 of the Standard Specifications for Construction. It may be necessary, as directed by the Engineer, to place materials by hand.

Prior to placing topsoil, shape, compact and assure all areas to be seeded **are weed free**. Place topsoil to the minimum depth indicated above, to meet proposed finished grade. Remove any stones greater than or equal to 1 inch in diameter. If the area being restored requires more than the minimum depth of topsoil to meet finished grade, this additional depth must be filled using topsoil. Furnishing and placing this additional material is included in this item of work.

Topsoil shall be **weed and weed seed free** and friable prior to placing seed. Remove all stones from the topsoil greater than 1 inch in diameter. Apply seed mixture and fertilizer to prepared soil surface. Seed shall be incorporated into top ½ inch of topsoil.

If an area washes out after this work has been properly completed and approved by the Engineer, make the required corrections to prevent future washouts and replace the topsoil, fertilizer, seed and mulch blankets. This replacement will be paid for as additional work using the applicable contract items.

If an area washes out for reasons attributable to the Contractor's activity or failure to take proper precautions, replacement shall be at the Contractor's expense.

The Engineer will inspect the seeded turf to ensure the end product is well established, weed free, in a vigorous growing condition, and contains the species called for in the seeding mixture. **If areas do not promote growth, the Contractor shall apply new seed at its expense.**

If weeds are determined by the Engineer to cover more than ten percent of the total area of slope restoration, the Contractor shall provide weed control in accordance to subsection 816.03.J of the MDOT 2012 Standard Specifications for Construction. Weed control shall be at the Contractor’s expense with no additional charges to the project for materials, labor or equipment.

Any bushes or trees, or special ground cover within the project limits that are identified by the City as requiring replacement shall be replaced in kind and paid for through the allowance for landscaping provided in this specification.

A project site access plan is included in the construction documents showing the Contractor the approximate location, size and quantity of trees and shrubs that will require removal.

Prior to construction, the Contractor will meet with the City and Engineer in the field and determine which landscaping must be replaced. The landscaping will be documented and photographed by the Contractor for use in replanting, and a list of plants to be furnished and planted after construction will be agreed upon. All landscape replacement costs beyond standard topsoil, seed, fertilizer and mulch blanket shall be paid for through the allowance for landscaping provided in this specification.

After completion of other surface restoration, Contractor shall complete all landscaping, and include watering through the duration of the contract. Special care and watering instruction received from the supplier shall be submitted to the City for transfer to the homeowners. Landscaping shall be warranted for one year from planting.

**d. Measurement and Payment.** The completed work, as described, will be measured and paid for at the contract unit price for the following pay item:

<u>Pay Item</u>	<u>Pay Unit</u>
212 – Restoration, Special.....	Square Yard
213 – Site Tree and Shrub Removals .....	Lump Sum
214 – Landscaping, Max \$15,000 .....	Lump Sum

**Site Tree and Shrub Removals** This item of work will be paid for on a pro rata basis at the time of each progress payment. Measurement will be based on the ratio between work completed during the payment period and the total contract amount. When all of the work of this Contract has been completed, the measurement of this item shall be 1.0 Lump Sum, minus any deductions incurred for inadequate performance as described herein. This amount will not be increased for any reason, including extensions of time, extras, and/or additional work. Work includes close coordination with City during site mobilization efforts and shall be in accordance with the work proposed in the construction access plan.

The unit price for this item of work shall include all labor, material, and equipment costs to perform all the work specified in the Standard Specifications and as modified by this Detailed Specification.

**Restoration, Special** shall be performed in all areas disturbed by the Contractor to construct the Project as shown on the plans and as directed by the Engineer. The Contractor will restore areas disturbed by its operations not required by the Project at its own expense.

**Landscaping, Allowance, \$15,000** This item of work will be paid for as an allowance. This allowance is to defer selection of actual landscaping materials and equipment to a later date following removal of existing landscaping. At Engineer's request, the Contractor obtain proposals for use in making final landscaping selections under the allowance. With Engineer's approval, purchase products and services selected by Engineer from the selected supplier. Payment will be based on invoices or delivery slips to show actual quantities of materials delivered and installed at the site for use in fulfillment of the allowance. Contractor's overhead, profit, and related costs for products and services ordered by Engineer under the allowance shall identified in the allowance and are not part of the Contract Sum. These costs include delivery, installation, taxes, insurance, equipment rental, and similar costs. At project closeout, unused amounts remaining in the allowance will be credited to the Owner by Change Order.

The unit price for this item of work shall include all labor, material, and equipment costs to perform all the work specified in the Standard Specifications and as modified by this Detailed Specification.

7/18/2018 11:05:06 AM - \\NERS008FS1\PROJECTS\NERS31537\200-31537-17004\CAD\SHEETFILES\02-LEGEND.DWG - GOTHA, STEVEN

**CONSTRUCTION NOTES:**

- DRIVEWAYS AND ENTRANCES TO BUILDINGS, REAL PROPERTY, AND THE LIKE SHALL NOT BE BLOCKED EXCEPT FOR SHORT DURATIONS AND ONLY WHEN APPROVED BY THE ENGINEER. VEHICULAR AND PEDESTRIAN ACCESS SHALL BE MAINTAINED AT ALL TIMES. IT SHALL BE THE CONTRACTOR'S RESPONSIBILITY TO COORDINATE ALL NECESSARY DRIVEWAY CLOSURES WITH THE PROPERTY OWNER(S) AND RESIDENT(S) IN THE AREAS OF CONSTRUCTION.
- THE LOCATION AND DEPTH OF ALL EXISTING UTILITIES AND SERVICE LEADS ARE TO BE FIELD VERIFIED BY THE CONTRACTOR PRIOR TO CONSTRUCTION.
- LOCATION AND DEPTH OF UTILITIES AS DEPICTED ON THE PLANS IS APPROXIMATE AND SHOWN ACCORDING TO THE BEST INFORMATION AVAILABLE. IT IS THE CONTRACTOR'S RESPONSIBILITY TO EXCAVATE AHEAD AND ADJUST DEPTH OF CONFLICT UTILITIES ACCORDINGLY. ANY DAMAGE TO UTILITIES IS THE CONTRACTOR'S RESPONSIBILITY TO AVOID AND/OR REPAIR AS NECESSARY.
- THE CONTRACTOR IS TO TAKE SPECIAL CARE TO PROTECT THE EXISTING SEWER MAIN AND BE RESPONSIBLE FOR MAINTAINING CONSISTENT SEWER SERVICE.
- DURING NON-WORKING HOURS NO MORE THAN TEN (10) FEET OF TRENCH SHALL REMAIN OPEN; ANY OPEN TRENCH SHALL BE PROPERLY SECURED WITH PROTECTIVE FENCING. THIS WORK SHALL BE INCLUDED IN THE ITEMS OF WORK BEING UNDERTAKEN AND WILL NOT BE PAID FOR SEPARATELY.
- TRENCHES FOR NEW SEWER SERVICES SHALL BE EXCAVATED TO MISHA AND CITY OF ANN ARBOR FIELD SERVICES REQUIREMENTS.
- THE CONTRACTOR SHALL BACKFILL TRENCHES IN ACCORDANCE WITH TRENCH DETAIL SPECIFIED ON PLANS.
- THE CONTRACTOR SHALL CONSTRUCT, FLUSH, AND BACTERIOLOGICALLY TEST THE WATER MAIN PER DETAILED SPECIFICATION "WATER MAIN INSTALLATION AND TESTING" AND AS APPROVED BY THE ENGINEER. ALL CHLORINATED WATER SHALL BE DISCHARGED DIRECTLY INTO AN APPROVED SANITARY SEWER. THE CONTRACTOR SHALL SUPPLY ALL NECESSARY HOSES, FITTINGS AND THE LIKE TO ACCOMPLISH THIS WORK.
- THE CONTRACTOR SHALL BE RESPONSIBLE FOR THE CONTINUOUS MAINTENANCE OF THE TEMPORARY ROAD SURFACE AND SOIL EROSION CONTROL MEASURES WITHIN THE CONSTRUCTION AREA UNTIL THE FULL COMPLETION OF THE PROJECT. THIS WORK SHALL BE INCLUDED IN THE ITEM OF WORK "GENERAL CONDITIONS".
- THE LOCATION OF MATERIAL STOCK PILES AND ON-SITE STAGING AREAS TO BE APPROVED BY THE ENGINEER.
- ALL STRUCTURES SHALL RECEIVE NEW CASTINGS AS DIRECTED BY THE ENGINEER, AS SPECIFIED ON THE STANDARD CASTING SCHEDULE. THE EXISTING CASTINGS ARE THE PROPERTY OF THE CITY OF ANN ARBOR. THE CONTRACTOR SHALL DELIVER TO CITY OF ANN ARBOR FIELD OPERATIONS AND MAINTENANCE FACILITY AT THE W.R. WHEELER SERVICE CENTER LOCATED AT 4251 STONE SCHOOL ROAD.
- ALL STRUCTURES SHALL RECEIVE NEW CASTINGS, EITHER TYPE B, TYPE Q, OR TYPE R AS SPECIFIED ON THE STANDARD CASTING SCHEDULE. THE EXISTING CASTINGS SHALL BE NEATLY STACKED ON-SITE IN A SINGLE LOCATION SO THAT CITY OF ANN ARBOR FORCES CAN RETRIEVE THEM AT A LATER DATE. THE CONTRACTOR SHALL ASSIST CITY FORCES BY LOADING THEM INTO THEIR CITY TRUCKS. ALL COSTS ASSOCIATED WITH STORING, STOCKPILING, AND LOADING CASTINGS INTO CITY VEHICLES SHALL BE INCLUDED IN THE ITEM OF WORK MOBILIZATION, MAX. ----- AND WILL NOT BE PAID FOR SEPARATELY.

**GENERAL NOTES:**

- NOTIFY THE CITY OF ANN ARBOR SOIL EROSION CONTROL OFFICE 48 HOURS PRIOR TO BEGINNING WORK ON THE PROJECT. PHONE: 734-794-6265.
- THE CONTRACTOR SHALL IMPLEMENT AND MAINTAIN THE SOIL EROSION CONTROL MEASURES AS SHOWN ON THE PLANS AND AS DIRECTED BY THE ENGINEER AT ALL TIMES DURING CONSTRUCTION. ANY MODIFICATIONS OR ADDITIONS TO THE SOIL EROSION CONTROL MEASURES DUE TO CONSTRUCTION OR CHANGED CONDITIONS SHALL BE AS DIRECTED AND APPROVED BY THE ENGINEER.
  - ALL SOIL EROSION AND SEDIMENTATION CONTROL WORK SHALL CONFORM TO THE PERMIT REQUIREMENTS OF THE CITY OF ANN ARBOR, CITY ORDINANCE CHAPTER 63, CITY OF ANN ARBOR STANDARDS DIVISION VII, THE LAWS OF THE STATE OF MICHIGAN, AND THE REQUIREMENTS OF THE CONTRACT DOCUMENTS.
  - DAILY, OR AFTER ANY STORM EVENT, INSPECTIONS OF EROSION CONTROL MEASURES SHALL BE MADE BY THE CONTRACTOR. PERIODIC INSPECTIONS MAY BE MADE BY THE ENGINEER TO DETERMINE THE EFFECTIVENESS OF EROSION AND SEDIMENTATION CONTROL MEASURES. ANY NECESSARY CORRECTIONS SHALL BE MADE WITHOUT DELAY, AND WITHOUT ADDITIONAL COST TO THE CITY OF ANN ARBOR.
  - EROSION AND SEDIMENTATION FROM WORK ON THE SITE SHALL BE CONTAINED ON THE SITE AND NOT BE ALLOWED TO COLLECT ON ANY OFF-SITE AREAS, ROADWAYS OR WATERWAYS.
  - ALL MUD/SOIL TRACKED ONTO ROADWAYS FROM THE SITE DUE TO CONSTRUCTION, SHALL BE PROMPTLY REMOVED BY THE CONTRACTOR. IF SO ORDERED, THE CONTRACTOR SHALL PROVIDE AND OPERATE A VACUUM-TYPE STREET SWEEPER, AT NO ADDITIONAL COST TO THE CITY OF ANN ARBOR, WITHIN FOUR (4) HOURS OF BEING SO ORDERED.
  - RESTORATION OF ALL DISTURBED AREAS, INCLUDING PLACEMENT OF TOPSOIL, LANDSCAPING SEED, FERTILIZER AND MULCH AND/OR SOD SHALL BE PERFORMED WITHIN FIVE (5) DAYS OF THE COMPLETION OF FINAL GRADE.
  - CONSTRUCTION OPERATIONS SHALL BE SCHEDULED AND PERFORMED SO THAT PREVENTATIVE SOIL EROSION CONTROL MEASURES ARE IN PLACE PRIOR TO EXCAVATION IN CRITICAL AREAS AND TEMPORARY STABILIZATION MEASURES ARE IN PLACE IMMEDIATELY FOLLOWING BACKFILLING OPERATIONS.
  - SPECIAL PRECAUTIONS WILL BE TAKEN IN THE USE OF CONSTRUCTION EQUIPMENT TO PREVENT SITUATIONS THAT PROMOTE EROSION.
  - PROPER DUST CONTROL SHALL BE MAINTAINED DURING CONSTRUCTION BY USE OF WATER TRUCKS AND/OR DUST PALLIATIVE AS REQUIRED.
  - THE CONTRACTOR SHALL BE RESPONSIBLE FOR MAINTAINING ALL TEMPORARY SOIL EROSION CONTROL MEASURES AND REMOVAL OF SOME MEASURES UPON AUTHORIZED COMPLETION OF THE PROJECT. FINAL COMPLETION OF PROJECT WILL NOT BE AUTHORIZED UNTIL ALL SITE WORK AND UTILITY CONSTRUCTION IS COMPLETE AND ALL SOILS ARE STABILIZED.
  - THE CONTRACTOR SHALL NOT GRADE INTO ADJACENT PROPERTIES. SILT AND PROTECTIVE FENCE SHALL BE INSTALLED AND MAINTAINED TO PREVENT GRADING, EROSION AND SEDIMENTATION INTO THE ADJACENT PROPERTIES.
  - TREE PROTECTION FENCING MUST REMAIN INTACT UNTIL RESTORATION OF THE SITE IS COMPLETE.

**SEQUENCE OF EROSION CONTROL MEASURES:**

- THE CONTRACTOR IS TO SUBMIT TO THE ENGINEER, A SEQUENCE OF CONSTRUCTION WITH RESPECT TO THE SOIL EROSION CONTROL MEASURES FOR REVIEW, COMMENT AND APPROVAL. THIS SCHEDULE IS TO INCLUDE INSPECTION AND REPAIR OF ALL TEMPORARY EROSION CONTROL MEASURES DAILY AND WITHIN 24 HOURS OF A STORM EVENT.

**SAMPLE SOIL EROSION AND SEDIMENTATION CONTROL INSTALLATION MINIMUM REQUIREMENTS:**

- INSTALL SILT FENCE, TREE PROTECTION FENCING, MUD MATS, INLET FILTERS ON EXISTING DRAINAGE FEATURES, AND ALL OTHER TEMPORARY SOIL EROSION CONTROLS, PRIOR TO ANY CLEARING OR EARTH MOVING OPERATION.
- REMOVE EXISTING PAVEMENT, CURB AND GUTTER AND STRIP AND STOCKPILE TOPSOIL AS NEEDED. STABILIZE STOCKPILE AS REQUIRED.
- PERFORM MACHINE GRADING OPERATIONS AND CONSTRUCT PAVEMENTS (MAINLINE, SIDEWALKS, DRIVES, ETC.).
- COMPLETE PAVEMENT RESTORATION WORK OPERATIONS IN ACCORDANCE WITH CONSTRUCTION SEQUENCE CONTAINED WITHIN THE SPECIAL PROVISION ENTITLED "MAINTAINING TRAFFIC AND CONSTRUCTION METHOD AND SEQUENCING" CONTAINED IN THE CONTRACT PROPOSAL.
- CONTINUALLY MAINTAIN EROSION AND SEDIMENTATION CONTROL MEASURES, AS REQUIRED TO ALLOW DRAINAGE AND SEDIMENT REMOVAL. REMOVE ANY ACCUMULATED SEDIMENT IMMEDIATELY.
- TEMPORARY SEED AND INSTALL EROSION CONTROL BLANKET IN ALL DISTURBED AREAS.
- CLEAN OUT STORM SEWER SYSTEMS.
- REMEDY ANY NOTED DEFECTS TO THE SATISFACTION OF THE CITY OF ANN ARBOR'S SOIL EROSION AND SEDIMENTATION CONTROL OFFICIAL.
- ALL TEMP. SOIL EROSION CONTROL MEASURES MUST BE REMOVED, WITH ENGINEER'S APPROVAL, PRIOR TO FINAL INSPECTION

NOTE: THIS SEQUENCE IS FOR INFORMATION ONLY. IT IS INTENDED TO SHOW THE SEQUENCE OF CONSTRUCTION WITH RESPECT TO THE SOIL EROSION AND SEDIMENTATION CONTROL MEASURES. THE CONTRACTOR IS RESPONSIBLE FOR SUBMITTING THEIR OWN DETAILED CONSTRUCTION SEQUENCE AND SCHEDULE TO THE ENGINEER FOR REVIEW, COMMENT, AND APPROVAL.

**TEMPORARY SEEDING:**

- SEED IN ACCORDANCE WITH PROJECT DRAWINGS AND SPECIFICATIONS.
- ANY DISTURBED AREA NOT PAVED, SEEDED, MULCHED, SODDED OR BUILT UPON BY NOVEMBER 15TH OR JUNE 30TH IS TO BE TEMPORARILY STABILIZED PER SPECIFICATIONS.

THE ESTIMATED COST OF SOIL EROSION AND SEDIMENTATION CONTROL MEASURES, TOPSOIL, SEEDING, AND MULCH = \$3,000

ESTIMATE OF EXCAVATION AND FILL FROM EXISTING TO FINAL GRADE:

- EXCAVATION = 0 CY, FILL = 0 CY

ON SITE SOILS PER THE USDA SOIL SURVEY OF WASHTENAW COUNTY, MICHIGAN:

- Sb - SEBEWA LOAM - IN DEPRESSION AREAS, BROAD LOW-LYING AREA, AND DRAINAGEWAYS OF OUTWASH PLAINS, VALLEY TRAINS, AND TERRACES. SLOPE IS 0% TO 2%.
- FoB - FOX SANDY LOAM - IN UPLAND AREAS AND ON OUT WASH PLAINS, KAMES, VALLEY TRAINS, TERRACES, AND MORAINES. SLOPES ARE UNIFORM OR SHORT AND COMPLEX.
- MdA - MATHERTON SANDY LOAM - IN DEPRESSION AREAS, BROAD LOW-LYING AREAS, AND ALONG DRAINAGEWAYS, OUTWASH PLAINS, VALLEY TRAINS, AND TERRACES. NEARLY LEVEL TO GENTLY SLOPING.
- MfA - METAMORA SANDY LOAM - IN DEPRESSION AREAS, BROAD, LOW-LYING AREAS, AND ALONG DRAINAGEWAYS OF TILL PLAINS AND MORAINES.
- NoB - NAPPANEE SILTY CLAY LOAM - ON FOOT SLOPES AND ALONG DRAINAGEWAYS OF TILL PLAINS, MORAINES, AND LAKE PLAINS. NEARLY LEVEL TO GENTLY SLOPING.

**STRUCTURE TABLE**

MH#	Rim	Invert	Diameter	Costing
1	822.67	809.36	4'	Type B
2	822.67	809.66	4'	Type B
3	823.31	810.17	4'	Type B



**BYPASS PUMPING NOTES:**

- APPROXIMATE PEAK FLOW RATE IN EXISTING 12" SEWER IS 110 GPM.
- SEE BYPASS PUMPING SPECIFICATIONS IN THE DETAILED SPECIFICATION FOR CONSTRUCTION SEQUENCING.

**EXISTING LEGEND**

- FIRE HYDRANT
- GATE VALVE IN BOX
- GATE VALVE IN WELL
- STOP BOX
- WATER VAULT
- WELL
- CATCH BASIN (SQ)
- CATCH BASIN (RD)
- STORM MANHOLE
- NON-CURB CATCH BASIN (SQ)
- END SECTION
- SANITARY MANHOLE
- CLEAN-OUT
- POST
- PEDESTRIAN SIGNAL SIGN
- HAND HOLE
- ORNAMENTAL LIGHT
- FLOOD LIGHT
- UNKNOWN MANHOLE
- TELEPHONE MANHOLE
- TELEPHONE RISER
- GAS VALVE
- GAS VENT
- GAS BOX
- ELECTRICAL RISER
- TRANSFORMER
- UTILITY POLE
- LAMP POLE
- GUY ANCHOR
- GUY POLE
- MONITORING WELL
- MAILBOX
- SOIL BORING
- TRAVERSE POINT
- BENCH MARK
- IRON PIPE
- MON BOX
- WATER MAIN
- WATER MAIN ABANDONED
- STORM SEWER
- STORM SEWER ABANDONED
- SANITARY SEWER
- SANITARY SEWER ABANDONED
- GAS MAIN
- GAS MAIN (DEAD)
- ELECTRICAL OVER HEAD
- ELECTRICAL UNDER GROUND
- ELECTRICAL DUCT BANK
- TELEPHONE OVER HEAD
- TELEPHONE UNDER GROUND
- TELEPHONE DUCT BANK
- CABLE TV OVER HEAD
- CABLE TV UNDER GROUND
- FIBER OPTIC
- FIBER OPTIC DUCT BANK
- BOUNDARY
- BUILDING
- CENTERLINE OF DITCH
- CENTERLINE/CROWN OF ROAD
- CONTOUR MAJOR
- CONTOUR MINOR
- EDGE OF WATER
- FLOODPLAIN
- FENCE
- GRAVEL
- GUARDRAIL
- STONE WALL
- R.O.W.
- TREELINE
- WETLAND
- EDGE OF BRUSH
- HEDGE
- TREE (DECIDUOUS)
- TREE (CONIFEROUS)
- SHRUB (DECIDUOUS)
- STUMP
- TREE TO REMAIN & PROTECT (DECIDUOUS) CRITICAL ROOT ZONE (C.R.Z.) = DIAMETER BREST HEIGHT (INCHES) X 10
- TREE TO REMAIN & PROTECT (CONIFEROUS) CRITICAL ROOT ZONE (C.R.Z.) = DIAMETER BREST HEIGHT (INCHES) X 10



**CITY OF ANN ARBOR PUBLIC SERVICES**  
 301 EAST HURON STREET  
 ANN ARBOR, MI 48107-8847  
 734-794-4410  
 www.aigo.org

MARK	DATE	DESCRIPTION
1	7/18/18	ADDENDUM 101

**CITY OF ANN ARBOR PUBLIC WORKS**  
 485 ROCK CREEK DR  
 SANITARY SEWER REPAIR  
**LEGEND & GENERAL NOTES**

Project No.: 200-31537-17004  
 Designed By: J. SIWEK  
 Drawn By: S. GOTHA  
 Checked By:



CTI and Associates Inc

# BORING NUMBER: Rock Creek Dr B-4

PAGE 1 OF 1

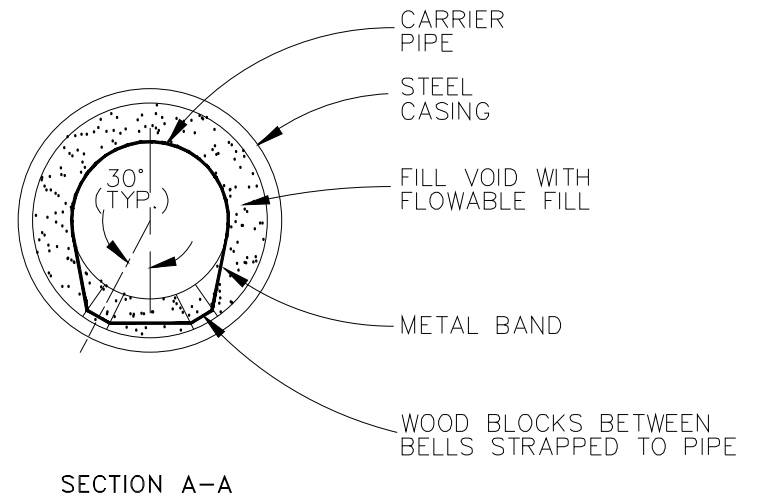
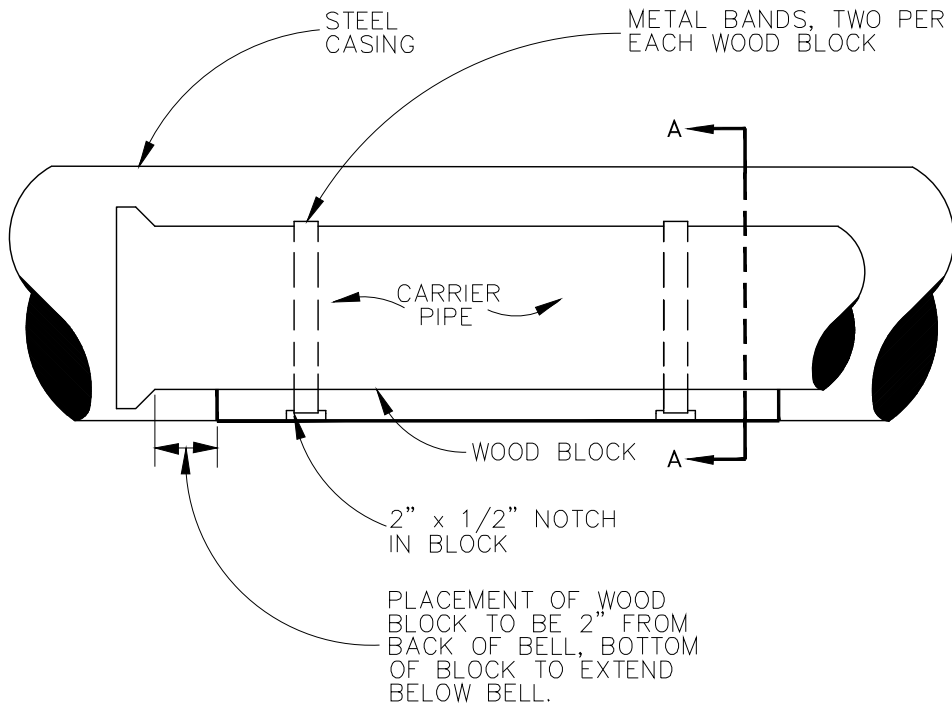
**CLIENT** City of Ann Arbor  
**PROJECT NUMBER** 3122040060-1  
**DATE STARTED** 10/5/12 **COMPLETED** 10/5/12  
**DRILLING CONTRACTOR** Stearns Drilling  
**DRILLING METHOD** 2-1/4 inch HSA  
**LOGGED BY** G. Geerlings **CHECKED BY** T. Marsik  
**NOTES** Boring backfilled with auger cuttings and patched.


**PROJECT NAME** 2012 Ann Arbor Misc. Geotechnical Services - North Area Borings  
**PROJECT LOCATION** Ann Arbor, Michigan  
**GROUND ELEVATION** N/A  
**GROUND WATER LEVELS:**  
**DURING DRILLING** None  
**AFTER DRILLING** None  
**COLLAPSE DEPTH** 6'0"

DEPTH (ft)	GRAPHIC LOG	MATERIAL DESCRIPTION	SAMPLE TYPE NUMBER	RECOVERY % (RQD)	BLOW COUNTS (N VALUE)	POCKET PEN. (tsf) UNC. STRENGTH (psf)	NATURAL MOISTURE CONTENT (%)	▲ SPT N VALUE ▲		
								20	40	60
0.0		2 inches of ASPHALT PAVEMENT								
		10 inches of brown moist fine to medium SAND with gravel and some silt - (FILL)	GB	100						
		Brown moist sandy CLAY with silt and trace of gravel - (FILL)	SS 1	100	8-6-7 (13)					
2.5		Light brown moist medium dense fine SAND with trace of silt - (SP)	SS 2	94	5-7-8 (15)					
5.0		Brown moist medium dense clayey fine SAND with trace of gravel - (SC)	SS 3	100	5-4-10 (14)					
7.5										

Bottom of borehole at 7.5 feet.

Boring performed 6' east of curb, 64' north of driveway to 485 Rock Creek Drive



REVISIONS		REV. NO.	DR. BY	CH. BY	DATE
<b>PUBLIC SERVICES DEPARTMENT CITY OF ANN ARBOR</b>					
SEWER BORE					
<b>DR. BY</b>	DF	<b>CH. BY</b>	CSS	<b>DRAWING NO.</b>	
<b>SCALE</b>	NONE	<b>DATE</b>	11-6-92	SD-S-13	
<b>INCH</b>	0  1			<b>SHEET NO.</b> _____ <b>OF</b> _____	

PREBID MEETING SIGN-IN SHEET

PROJECT: ROCK CREEK SANITARY SEWER REPAIR

ITB 4526

Date: 7/9/18

MEETING SIGN-IN SHEET PLEASE PRINT

NAME	REPRESENTING	MAILING ADDRESS	TELEPHONE	EMAIL
Jacob Bailey	Bailey Exc.	Address: 1073 Toad Dr. City, State: Jackson, MI Zip: 49201	Office: (517) 750-3530 Mobile: (517) 740-0371 Fax No. (517) 750-1095	Jacob.bailey@Bailey-Exc.com; jg.com
DAVID WILKIE	DOUGLAS N. HIGGINS, INC.	Address: 3390 TRAVIS POINTE RD. #A City, State: ANN ARBOR, MI Zip: 48108	Office: (734) 996-9500 Mobile: (734) 216-3629 Fax No. (734) 996-8480	dwilkie@dnhiggins.com
Thomas D. Morrison	Gibralter Construction	Address: 2650 Van Horn Rd. City, State: Trenton MI Zip: 48183	Office: (734) 234-8005 Mobile: (734) 250-1780 Fax No. (734) 234-6672	gibralterco@gmail.com
Jay Marshall	Stante	Address: 40912 Liberty Dr. City, State: Wixom Zip: 48399	Office: (418) 624-0030 Mobile: ( ) Fax No. ( )	jmarshall@stante.com
Nello Stante	Stante	Address: _____ City, State: _____ Zip: _____	Office: (418) 624-0030 Mobile: ( ) Fax No. ( )	nstante@stante.com
		Address: _____ City, State: _____ Zip: _____	Office: ( ) Mobile: ( ) Fax No. ( )	
		Address: _____ City, State: _____ Zip: _____	Office: ( ) Mobile: ( ) Fax No. ( )	
		Address: _____ City, State: _____ Zip: _____	Office: ( ) Mobile: ( ) Fax No. ( )	

PREBID MEETING SIGN-IN SHEET

PROJECT: ROCK CREEK SANITARY SEWER REPAIR

ITB 4526

Date: 7/9/18

PLEASE PRINT

NAME	REPRESENTING	MAILING ADDRESS	TELEPHONE	EMAIL
Chris Elenbaas Public Works Engineer	City of Ann Arbor - Public Works	Address: 4251 Stone School Road City, State: Ann Arbor, MI Zip: 48107-8647	Office: (734) 794-6350 x43311 Mobile: (734) 358-2029 Fax: (734) 994-0742	celenbaas@a2gov.org
Ron Magee	FORSON CO.	Address: 7644 Whitmore LK City, State: Brighton MI Zip: 48116	Office: (810) 231-5188 Mobile: (810) 620-3324 Fax No. ( )	rmagee@forsoninc.com
Joe Siwel	Tetra Tech	Address: 710 Auis Dr City, State: Ann Arbor, MI Zip: 48108	Office: (734) 213-4052 Mobile: (616) 291-7470 Fax No. ( )	joe.siwel@tetra-tech.com
Madelaine Frieseman	CITY OF ANN ARBOR	Address: _____ City, State: _____ Zip: _____	Office: ( ) _____ Mobile: ( ) _____ Fax No. ( ) _____	
		Address: _____ City, State: _____ Zip: _____	Office: ( ) _____ Mobile: ( ) _____ Fax No. ( ) _____	
		Address: _____ City, State: _____ Zip: _____	Office: ( ) _____ Mobile: ( ) _____ Fax No. ( ) _____	
		Address: _____ City, State: _____ Zip: _____	Office: ( ) _____ Mobile: ( ) _____ Fax No. ( ) _____	
		Address: _____ City, State: _____ Zip: _____	Office: ( ) _____ Mobile: ( ) _____ Fax No. ( ) _____	







# TABLE OF CONTENTS

TABLE OF CONTENTS..... TC-1  
 NOTICE OF PRE-BID CONFERENCE..... NP-1  
 INSTRUCTIONS TO BIDDERS.....IB-1 to 5  
 INVITATION TO BID..... ITB-1 to 3  
 BID FORMS.....BF-1 to 5  
 CONTRACT.....C-1 to 4  
 BOND FORMS..... B-1 to 2  
 GENERAL CONDITIONS..... GC-1 to 16  
 STANDARD SPECIFICATIONS..... SS-17  
 DETAILED SPECIFICATION..... DS-1 to DS-48

<u>Item No.</u>	<u>Detailed Specification Description</u>	<u>Page No.</u>
100	Notice to Bidders - Utilities .....	DS-1 to 2
101	Construction Sequencing .....	DS-3
200	General Conditions, Modified, Maximum \$5,000.....	DS-4 to 5
200A	Vacuum Type Cleaning Equipment.....	DS-6
200B	Material Certifications .....	DS-7
201	Project Supervision, Modified, Maximum \$5,000.....	DS-8 to 11
201A	Project Schedule.....	DS-12 to 13
202	Audio-Visual Recording .....	DS-14 to 16
203	Minor Traffic Control, Modified, Maximum \$2,500.....	DS-17 to 18
204-5	Soil Erosion control .....	DS-19
206-11	Sanitary Sewer .....	DS-20 to 40
212-14	Restoration, Special .....	DS-41 to 43
215	Structure Covers.....	DS-44 to 45
216	Non-Structural Flowable Fill .....	DS-46
299	Certified Payroll Compliance and Reporting.....	DS-47 to DS 48

## ATTACHMENTS

- City of Ann Arbor Prevailing Wage Declaration Form*
- City of Ann Arbor Living Wage Forms*
- City of Ann Arbor Vendor Conflict of Interest Disclosure Form*
- City of Ann Arbor Non-Discrimination Ordinance Notice and Declaration Form*

## **NOTICE OF PRE-BID CONFERENCE**

A **mandatory** pre-bid conference for this project will be held on **Monday, July 9, 2018 at 2:00 P.M. at the Wheeler Service Center, 4251 Stone School Road, Ann Arbor, MI. Failure to attend the meeting and sign the ITB No. 4526 sign-in sheet at the pre-bid meeting will automatically disqualify a bidder from submitting a valid bid.** Any bid submitted by a party not attending and signing the roster at the pre-bid meeting will not be opened or considered. Administrative and technical questions regarding this project will be answered at this time. The pre-bid meeting is for information only. Any answers furnished will not be official until verified in writing by the Financial Service Area, Procurement Unit. Answers that change or substantially clarify the bid will be affirmed in an addendum.

# INSTRUCTIONS TO BIDDERS

## General

Work to be done under this Contract is generally described through the detailed specifications and must be completed fully in accordance with the contract documents. All work to be done under this Contract is located in or near the City of Ann Arbor.

Any Bid which does not conform fully to these instructions may be rejected.

## Preparation of Bids

Bids should be prepared providing a straight-forward, concise description of the Bidder's ability to meet the requirements of the ITB. Bids shall be written in ink or typewritten. No erasures are permitted. Mistakes may be crossed out and corrected and must be initialed and dated in ink by the person signing the Bid.

Bids must be submitted on the "Bid Forms" provided with each blank properly filled in. If forms are not fully completed it may disqualify the bid. No alternative bid will be considered unless alternative bids are specifically requested. If alternatives are requested, any deviation from the specification must be fully described, in detail on the "Alternate" section of Bid form.

Each person signing the Bid certifies that he/she is the person in the Bidder's firm/organization responsible for the decision as to the fees being offered in the Bid and has not and will not participate in any action contrary to the terms of this provision.

## Questions or Clarifications / Designated City Contacts

All questions regarding this ITB shall be submitted via email. Emailed questions and inquiries will be accepted from any and all prospective Bidders in accordance with the terms and conditions of the ITB.

All questions shall be due on or before **July 13, 2018** and should be addressed as follows:

Specification/Scope of Work questions emailed to [joe.siwek@tetrattech.com](mailto:joe.siwek@tetrattech.com)  
Bid Process and Compliance questions emailed to [cspencer@a2gov.org](mailto:cspencer@a2gov.org)

Any error, omissions or discrepancies in the specification discovered by a prospective contractor and/or service provider shall be brought to the attention of Colin Spencer at [cspencer@a2gov.org](mailto:cspencer@a2gov.org) after discovery as soon as possible. Further, the contractor and/or service provide shall not be allowed to take advantage of errors, omissions or discrepancies in the specifications.

## Addenda

If it becomes necessary to revise any part of the ITB, notice of the Addendum will be posted to Michigan Inter-governmental Trade Network (MITN) [www.mitn.info](http://www.mitn.info) and/or City of Ann Arbor web site [www.A2gov.org](http://www.A2gov.org) for all parties to download.

Each Bidder must in its Bid, to avoid any miscommunications, acknowledge all addenda which it has received, but the failure of a Bidder to receive, or acknowledge receipt of; any addenda shall not relieve the Bidder of the responsibility for complying with the terms thereof.

The City will not be bound by oral responses to inquiries or written responses other than written addenda.

## Bid Submission

All Bids are due and must be delivered to the City of Ann Arbor Procurement Unit on or before **Wednesday, July 25, 2018 at 2:00 P.M. EST.** Bids submitted late or via oral, telephonic, telegraphic, electronic mail or facsimile **will not** be considered or accepted.

Each Bidder must submit one (1 original Bid and **Two ( 2 )** Bid copies in a sealed envelope clearly marked: **ITB No. 4526.**

### **Bids must be addressed and delivered to:**

City of Ann Arbor  
Procurement Unit,  
c/o Customer Services, 1<sup>st</sup> Floor  
301 East Huron Street  
Ann Arbor, MI 48107

All Bids received on or before the Due Date will be publicly opened and recorded immediately. No immediate decisions are rendered.

**The following forms provided within this ITB Document must be included in submitted bids.**

- **City of Ann Arbor Prevailing Wage Declaration of Compliance**
- **City of Ann Arbor Living Wage Ordinance Declaration of Compliance**
- **Vendor Conflict of Interest Disclosure Form**
- **City of Ann Arbor Non-Discrimination Ordinance Declaration of Compliance**

**Bids that fail to provide these completed forms listed above upon bid opening will be rejected as non-responsive and will not be considered for award.**

Hand delivered bids will be date/time stamped/signed by the Procurement Unit at the address above in order to be considered. Normal business hours are 9:00 a.m. to 3:00 p.m. Monday through Friday, excluding Holidays. The City will not be liable to any Bidder for any unforeseen circumstances, delivery or postal delays. Postmarking to the Due Date will not substitute for receipt of the Bid. Each Bidder is responsible for submission of their Bid.

Additional time for submission of bids past the stated due date and time will not be granted to a single Bidder; however, additional time may be granted to all Bidders when the City determines in its sole discretion that circumstances warrant it.

## Award

The City intends to award a Contract(s) to the lowest responsible Bidder(s). On multi-divisional contracts, separate divisions may be awarded to separate Bidders. The City may also utilize alternatives offered in the Bid Forms, if any, to determine the lowest responsible Bidder on each division, and award multiple divisions to a single Bidder, so that the lowest total cost is achieved for the City. For unit price bids, the Contract will be awarded based upon the unit prices and the lump sum prices stated by the bidder for the work items specified in the bid documents, with consideration given to any alternates selected by the City. If the City determines that the unit price for any item is materially different for the work item bid than either other bidders or the general

market, the City, in its sole discretion, in addition to any other right it may have, may reject the bid as not responsible or non-conforming.

The acceptability of major subcontractors will be considered in determining if a Bidder is responsible. In comparing Bids, the City will give consideration to alternate Bids for items listed in the bid forms. All key staff and subcontractors are subject to the approval by the City.

## Official Documents

The City of Ann Arbor officially distributes bid documents from the Procurement Unit or through the Michigan Intergovernmental Trade Network (MITN). Copies of the bid documents obtained from any other source are not Official copies. Addenda and other bid information will only be posted to these official distribution sites. If you obtained City of Ann Arbor Bid documents from other sources, it is recommended that you register on [www.MITN.info](http://www.MITN.info) and obtain an official Bid. Bidders do not need to be shown on the plan holders list provided by MITN to be considered an official plan holder.

## Bid Security

Each bid must be accompanied by a certified check, or Bid Bond by a surety licensed and authorized to do business within the State of Michigan, in the amount of 5% of the total of the bid price.

## Withdrawal of Bids

After the time of opening, no Bid may be withdrawn for the period of Forty-Five (45) days

## Contract Time

Time is of the essence in the performance of the work under this Contract. The available time for work under this Contract is indicated on page C-1, Article III of the Contract. If these time requirements cannot be met, the Bidder must stipulate on Bid Form Section 3 - Time Alternate its schedule for performance of the work. Consideration will be given to time in evaluating bids.

## Liquidated Damages

A liquidated damages clause, as given on page C-2, Article III of the Contract, provides that the Contractor shall pay the City as liquidated damages, and not as a penalty, a sum certain per day for each and every day that the Contractor may be in default of completion of the specified work, within the time(s) stated in the Contract, or written extensions.

Liquidated damages clauses, as given in the General Conditions, provide further that the City shall be entitled to impose and recover liquidated damages for breach of the obligations under Chapter 112 of the City Code.

The liquidated damages are for the non-quantifiable aspects of any of the previously identified events and do not cover actual damages that can be shown or quantified nor are they intended to preclude recovery of actual damages in addition to the recovery of liquidated damages.

## Human Rights Information

All contractors proposing to do business with the City shall satisfy the contract compliance administrative policy adopted by the City Administrator in accordance with the Section 9:158 of

the Ann Arbor City Code. Breach of the obligation not to discriminate as outlined in Section 5, beginning at page GC-2 shall be a material breach of the contract. Contractors are required to post a copy of Ann Arbor's Non-Discrimination Ordinance attached at all work locations where its employees provide services under a contract with the City.

## Wage Requirements

Section 4, beginning at page GC-1, outlines the requirements for payment of prevailing wages and for payment of a "living wage" to employees providing service to the City under this contract. The successful bidder and its subcontractors must comply with all applicable requirements and provide proof of compliance.

Pursuant to Resolution R-16-469 all public improvement contractors are subject to prevailing wage and will be required to provide to the City payroll records sufficient to demonstrate compliance with the prevailing wage requirements. Use of the Prevailing Wage Form provided in the Appendix section or a City-approved equivalent will be required along with wage rate interviews.

For laborers whose wage level are subject to federal, state and/or local prevailing wage law the appropriate Davis-Bacon wage rate classification is identified based upon the work including within this contract. **The wage determination(s) current on the date 10 days before bids are due shall apply to this contract.** The U.S. Department of Labor (DOL) has provided explanations to assist with classification in the following resource link: [www.wdol.gov](http://www.wdol.gov).

For the purposes of this ITB the Construction Type of Heavy (Building, Heavy, Highway or Residential) will apply.

## Conflict Of Interest Disclosure

The City of Ann Arbor Purchasing Policy requires that prospective Vendors complete a Conflict of Interest Disclosure form. A contract may not be awarded to the selected Vendor unless and until the Procurement Unit and the City Administrator have reviewed the Disclosure form and determined that no conflict exists under applicable federal, state, or local law or administrative regulation. Not every relationship or situation disclosed on the Disclosure Form may be a disqualifying conflict. Depending on applicable law and regulations, some contracts may be awarded on the recommendation of the City Administrator after full disclosure, where such action is allowed by law, if demonstrated competitive pricing exists and/or it is determined the award is in the best interest of the City. A copy of the Vendor Conflict of Interest Disclosure Form is attached.

## Major Subcontractors

The Bidder shall identify on Bid Form Section 4 each major subcontractor it expects to engage for this Contract if the work to be subcontracted is 15% or more of the bid sum or over \$50,000, whichever is less. The Bidder also shall identify the work to be subcontracted to each major subcontractor. The Bidder shall not change or replace a subcontractor without approval by the City.

## Debarment

Submission of a Bid in response to this ITB is certification that the Bidder is not currently debarred, suspended, proposed for debarment, and declared ineligible or voluntarily excluded from participation in this transaction by any State or Federal departments or agency. Submission is



also agreement that the City will be notified of any changes in this status.

## Disclosures

After bids are opened, all information in a submitter's bid is subjected to disclosure under the provisions of Michigan Public Act No. 442 of 1976, as amended (MCL 15.231 et seq.) known as the "Freedom of Information Act." The Freedom of Information Act also provides for the complete disclosure of contracts and attachments thereto except where specifically exempted.

## Bid Protest

All Bid protests must be in writing and filed with the Purchasing Agent within five (5) business days of the award action. The bidder must clearly state the reasons for the protest. If a bidder contacts a City Service Area/Unit and indicates a desire to protest an award, the Service Area/Unit shall refer the bidder to the Purchasing Agent. The Purchasing Agent will provide the bidder with the appropriate instructions for filing the protest. The protest shall be reviewed by the City Administrator or designee whose decision shall be final.

*Any inquiries or requests regarding this procurement should be only submitted in writing to the Designated City Contacts provided herein. Attempts by any prospective bidder to initiate contact with anyone other than the Designated City Contacts provided herein that the bidder believes can influence the procurement decision, e.g., Elected Officials, City Administrator, Selection Committee Members, Appointed Committee Members, etc., may lead to immediate elimination from further consideration.*

## Cost Liability

The City of Ann Arbor assumes no responsibility or liability for costs incurred by the Bidder prior to the execution of a contract with the City. By submitting a bid, a bidder agrees to bear all costs incurred or related to the preparation, submission and selection process for the bid.

## Reservation of Rights

The City of Ann Arbor reserves the right to accept any bid or alternative bid proposed in whole or in part, to reject any or all bids or alternatives bids in whole or in part and to waive irregularity and/or informalities in any bid and to make the award in any manner deemed in the best interest of the City.

## Idlefree Ordinance

The City of Ann Arbor adopted an idling reduction Ordinance that goes into effect July 1, 2017. The full text of the ordinance (including exemptions) can be found at: [www.a2gov.org/idlefree](http://www.a2gov.org/idlefree).

Under the ordinance, No Operator of a Commercial Vehicle shall cause or permit the Commercial Vehicle to Idle:

- (a) For any period of time while the Commercial Vehicle is unoccupied; or
- (b) For more than 5 minutes in any 60-minute period while the Commercial Vehicle is occupied.

In addition, generators and other internal combustion engines are covered

(1) Excluding Motor Vehicle engines, no internal combustion engine shall be operated except when it is providing power or electrical energy to equipment or a tool that is actively in use.

## Environmental Commitment

The City of Ann Arbor recognizes its responsibility to minimize negative impacts on human health and the environment while supporting a vibrant community and economy. The City further recognizes that the products and services the City buys have inherent environmental and economic impacts and that the City should make procurement decisions that embody, promote, and encourage the City's commitment to the environment.

The City encourages potential vendors to bring forward emerging and progressive products and services that are best suited to the City's environmental principles.

## INVITATION TO BID

City of Ann Arbor  
Guy C. Larcom Municipal Building  
Ann Arbor, Michigan 48107

Ladies and Gentlemen:

The undersigned, as Bidder, declares that this Bid is made in good faith, without fraud or collusion with any person or persons bidding on the same Contract; that this Bidder has carefully read and examined the bid documents, including City Nondiscrimination requirements and Declaration of Compliance Form, Living Wage requirements and Declaration of Compliance Form, Prevailing Wage requirements and Declaration of Compliance Form, Vendor Conflict of Interest Form, Notice of Pre-Bid Conference, Instructions to Bidders, Bid, Bid Forms, Contract, Bond Forms, General Conditions, Standard Specifications, Detailed Specifications, all Addenda, and the Plans (if applicable) and understands them. The Bidder declares that it conducted a full investigation at the site and of the work proposed and is fully informed as to the nature of the work and the conditions relating to the work's performance. The Bidder also declares that it has extensive experience in successfully completing projects similar to this one.

The Bidder acknowledges that it has not received or relied upon any representations or warrants of any nature whatsoever from the City of Ann Arbor, its agents or employees, and that this Bid is based solely upon the Bidder's own independent business judgement.

The undersigned proposes to perform all work shown on the plans or described in the bid documents, including any addenda issued, and to furnish all necessary machinery, tools, apparatus, and other means of construction to do all the work, furnish all the materials, and complete the work in strict accordance with all terms of the Contract of which this Bid is one part.

In accordance with these bid documents, and Addenda numbered 12, the undersigned, as Bidder, proposes to perform at the sites in and/or around Ann Arbor, Michigan, all the work included herein for the amounts set forth in the Bid Forms.

The Bidder declares that it has become fully familiar with the liquidated damage clauses for completion times and for compliance with City Code Chapter 112, understands and agrees that the liquidated damages are for the non-quantifiable aspects of non-compliance and do not cover actual damages that may be shown and agrees that if awarded the Contract, all liquidated damage clauses form part of the Contract.

The Bidder declares that it has become fully familiar with the provisions of Chapter 14, Section 1:320 (Prevailing wages) and Chapter 23 (Living Wage) of the Code of the City of Ann Arbor and that it understands and agrees to comply, to the extent applicable to employees providing services to the City under this Contract, with the wage and reporting requirements stated in the City Code provisions cited. Bidder certifies that the statements contained in the City Prevailing Wage and Living Wage Declaration of Compliance Forms are true and correct. Bidder further agrees that the cited provisions of Chapter 14 and Chapter 23 form a part of this Contract.

Rock Creek  
Sanitary Sewer Repair

The Bidder declares that it has become familiar with the City Conflict of Interest Disclosure Form and certifies that the statement contained therein is true and correct.

The Bidder encloses a certified check or Bid Bond in the amount of 5% of the total of the Bid Price. The Bidder agrees both to contract for the work and to furnish the necessary Bonds and insurance documentation within 10 days after being notified of the acceptance of the Bid.

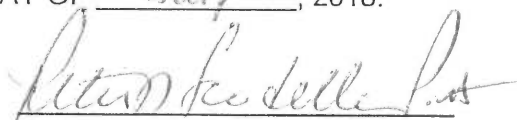
If this Bid is accepted by the City and the Bidder fails to contract and furnish the required Bonds and insurance documentation within 10 days after being notified of the acceptance of this Bid, then the Bidder shall be considered to have abandoned the Contract and the certified check or Bid Bond accompanying this Bid shall become due and payable to the City.

If the Bidder enters into the Contract in accordance with this Bid, or if this Bid is rejected, then the accompanying check or Bid Bond shall be returned to the Bidder.

In submitting this Bid, it is understood that the right is reserved by the City to accept any Bid, to reject any or all Bids, to waive irregularities and/or informalities in any Bid, and to make the award in any manner the City believes to be in its best interest.

SIGNED THIS 24<sup>th</sup> DAY OF July, 2018.

Forsan Company, Inc.  
Bidder's Name

  
Authorized Signature of Bidder

7044 Whitmore Lake Rd,  
Brighton, MI, 48116  
Official Address

Peter Scodeller  
(Print Name of Signer Above)

(810) 31-5188  
Telephone Number

bforsan@forsaninc.com  
Email Address for Award Notice

LEGAL STATUS OF BIDDER

(The Bidder shall fill out the appropriate form and strike out the other three.)

Bidder declares that it is:

\* A corporation organized and doing business under the laws of the State of Michigan, for whom Peter Seardeller, bearing the office title of President, whose signature is affixed to this Bid, is authorized to execute contracts.

NOTE: If not incorporated in Michigan, please attach the corporation's Certificate of Authority

~~\* A limited liability company doing business under the laws of the State of \_\_\_\_\_, whom \_\_\_\_\_ bearing the title of \_\_\_\_\_ whose signature is affixed to this proposal, is authorized to execute contract on behalf of the LLC.~~

~~\* A partnership, organized under the laws of the state of \_\_\_\_\_ and filed in the county of \_\_\_\_\_, whose members are (list all members and the street and mailing address of each) (attach separate sheet if necessary):~~

~~\_\_\_\_\_  
\_\_\_\_\_  
\_\_\_\_\_  
\_\_\_\_\_~~

\* An individual, whose signature with address, is affixed to this Bid: \_\_\_\_\_ (initial here)

Authorized Official

Peter Seardeller President Date July 24, 2018

(Print) Name Peter Seardeller Title President

Company: Forsan Company, Inc.

Address: 7644 Whitmore Lake Rd, Brighton, MI, 48116

Contact Phone (313) 231-5188 Fax (313) 231-5404

Email pete@forsaninc.com

# BID FORM

## Section 1 – Schedule of Prices

Company: Forsman Company, Inc.

Project: **Rock Creek Sanitary Sewer Repair**

### Unit Price Bid –

Item	Description	Unit	Estimated Quantity	Unit Price	Total Cost
200	General Conditions, Max \$30,000	LS	1	\$ <u>30,000.00</u>	\$ <u>30,000.00</u>
201	Project Supervision, Max \$5,000	LS	1	\$ <u>5,000.00</u>	\$ <u>5,000.00</u>
202	Audio-visual Recording	LS	1	\$ <u>1,250.00</u>	\$ <u>1,250.00</u>
203	Minor Traffic Control, Max \$2,500	LS	1	\$ <u>2,500.00</u>	\$ <u>2,500.00</u>
204	Erosion Control, Inlet Filter	EA	2	\$ <u>200.00</u>	\$ <u>400.00</u>
205	Erosion Control, Silt Fence	FT	100	\$ <u>6.00</u>	\$ <u>600.00</u>
206	Sewer, SDR 35 PVC Pipe, 12 inch, Tr Det A	FT	70	\$ <u>425.00</u>	\$ <u>29,750.00</u>
207	Wye, SDR 35 PVC, 6 inch	EA	1	\$ <u>790.00</u>	\$ <u>790.00</u>
208	Sewer, SDR 35 PVC Pipe, Service Lead, 6 inch, Tr Det A	FT	45	\$ <u>475.00</u>	\$ <u>21,375.00</u>
209	Sanitary Sewer Cleanout	EA	2	\$ <u>1,650.00</u>	\$ <u>3,300.00</u>
210	Dr Str, Manhole, Type I, 48 inch dia, Sanitary	EA	3	\$ <u>14,400.00</u>	\$ <u>43,200.00</u>
211	Dr Str, Manhole, Type I, Add'l Depth, 48 inch dia, Sanitary	FT	10	\$ <u>714.00</u>	\$ <u>7,140.00</u>
212	Restoration, Special	SYD	450	\$ <u>12.00</u>	\$ <u>5,400.00</u>
213	Site Tree and Shrub Removals	LS	1	\$ <u>4,000.00</u>	\$ <u>4,000.00</u>
214	Landscaping, Allowance \$15,000	ALW	1	\$ <u>\$15,000</u>	\$ <u>\$15,000</u>
215	Structure Covers	LBS	1200	\$ <u>2.70</u>	\$ <u>3,240.00</u>
380	Sewer, Boring & Jacking 12" Inside 24" Casing	LF	80	\$ <u>647.00</u>	\$ <u>51,760.00</u>
385	Sewer Pipe Abandonment	LF	125	\$ <u>39.00</u>	\$ <u>4,875.00</u>
386	Sewer Manhole Abandonment	EA	1	\$ <u>1,450.00</u>	\$ <u>1,450.00</u>

**ESTIMATED TOTAL**

\$ 231,030.00

BF-1

Rock Creek  
Sanitary Sewer Repair

## BID FORM

### Section 2 – Material, Equipment and Environmental Alternates

The Base Bid proposal price shall include materials and equipment selected from the designated items and manufacturers listed in the bidding documents. This is done to establish uniformity in bidding and to establish standards of quality for the items named.

If the Contractor wishes to quote alternate items for consideration by the City, it may do so under this Section. A complete description of the item and the proposed price differential must be provided. Unless approved at the time of award, substitutions where items are specifically named will be considered only as a negotiated change in Contract Sum.

If an environmental alternative is bid the City strongly encourages bidders to provide recent examples of product testing and previous successful use for the City to properly evaluate the environmental alternative. Testing data from independent accredited organizations are strongly preferred.

<u>Item Number</u>	<u>Description</u>	<u>Add/Deduct Amount</u>
--------------------	--------------------	--------------------------

*For the work outlined in this request for bid, the bidder does NOT propose any material or equipment alternate under the contract.*

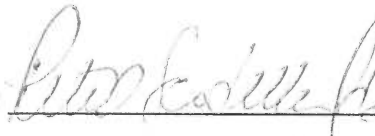
If the Bidder does not suggest any material or equipment alternate, the Bidder **MUST** complete the following statement:

For the work outlined in this request for bid, the bidder does NOT propose any material or equipment alternate under the Contract.

Signature of Authorized Representative of Bidder

Rock Creek

Sanitary Sewer Repair

 Date 7/24/18

# BID FORM

## Section 3 - Time Alternate

If the Bidder takes exception to the time stipulated in Article III of the Contract, Time of Completion, page C-2, it is requested to stipulate below its proposed time for performance of the work. Consideration will be given to time in evaluating bids.

*For the work outlined in this request for bid,  
the bidder does NOT propose any time alternate  
under the contract.*

If the Bidder does not suggest any time alternate, the Bidder **MUST** complete the following statement:

For the work outlined in this request for bid, the bidder does NOT propose any time alternate under the Contract.

Signature of Authorized Representative of Bidder

*Robert Goddard* Date 7/24/18



# BID FORM

## Section 4 - Major Subcontractors

For purposes of this Contract, a Subcontractor is anyone (other than the Contractor) who performs work (other than or in addition to the furnishing of materials, plans or equipment) at or about the construction site, directly or indirectly for or on behalf of the Contractor (and whether or not in privity of Contract with the Contractor), but shall not include any individual who furnishes merely the individual's own personal labor or services.

Contractor agrees that all subcontracts entered into by the Contractor shall contain similar wage provision to Section 4 of the General Conditions covering subcontractor's employees who perform work on this contract.

For the work outlined in these documents the Bidder expects to engage the following major subcontractors to perform the work identified:

<u>Subcontractor (Name and Address)</u>	<u>Work</u>	<u>Amount</u>
---	-------------	---------------

*For the work outlined in this request for bid, the bidder does NOT expect to engage any major subcontractor to perform work under the contract.*

If the Bidder does not expect to engage any major subcontractor, the Bidder **MUST** complete the following statement:

For the work outlined in this request for bid, the bidder does NOT expect to engage any major subcontractor to perform work under the Contract.

Signature of Authorized Representative of Bidder

*Peter L. ...*

Date 7/24/18

Rock Creek  
Sanitary Sewer Repair

# BID FORM

## Section 5 – References

Include a minimum of 3 reference from similar project completed within the past 5 years.

[Refer also to Instructions to Bidders for additional requirements, if any]

1) Springwater Subdivision \$2,254,952.00 8/31/17  
Project Name Cost Date Constructed

Anne Warrrow - City of Ann Arbor 734-794-6410  
Contact Name Phone Number

2) Chelsea Streets \$1,191,948.00 Oct, 2017  
Project Name Cost Date Constructed

Sue McKinson - Midwest Consulting 734-904-2665  
Contact Name Phone Number

3) Swan Creek Pinery \$165,071.00 Aug, 2017  
Project Name Harris Dutton Cost Date Constructed

Brian M. Kissel - FTCH/ 248-324-1572  
Contact Name WCWRC Phone Number

# CONTRACT

THIS AGREEMENT is made on the \_\_\_\_\_ day of \_\_\_\_\_, 2018, between the CITY OF ANN ARBOR, a Michigan Municipal Corporation, 301 East Huron Street, Ann Arbor, Michigan 48104 ("City") and Fonson Company, Inc. ("Contractor") a Michigan Corporation at 7644 Whitmore Lake Road, Brighton, Michigan, 48116.

Based upon the mutual promises below, the Contractor and the City agree as follows:

## ARTICLE I - Scope of Work

The Contractor agrees to furnish all of the materials, equipment and labor necessary; and to abide by all the duties and responsibilities applicable to it for the project titled [Insert Title of Bid and Bid Number] in accordance with the requirements and provisions of the following documents, including all written modifications incorporated into any of the documents, which are incorporated as part of this Contract:

Non-discrimination and Living Wage Declaration of Compliance Forms (if applicable)	General Conditions
Vendor Conflict of Interest Form	Standard Specifications
Prevailing Wage Declaration of Compliance Form (if applicable)	Detailed Specifications
Bid Forms	Plans
Contract and Exhibits	Addenda
Bonds	

## ARTICLE II - Definitions

Administering Service Area/Unit means **Public Works Unit.**

Project means **Rock Creek Sanitary Sewer Repair, ITB No. 4526.**

## ARTICLE III - Time of Completion

- (A) The work to be completed under this Contract shall begin immediately on the date specified in the Notice to Proceed issued by the City.
- (B) The entire work for this Contract shall be completed within Forty-Five (45) consecutive calendar days.
- (C) Failure to complete all the work within the time specified above, including any extension granted in writing by the Supervising Professional, shall obligate the Contractor to pay the City, as liquidated damages and not as a penalty, an amount equal to \$1,000 for each calendar day of delay in the completion of all the work. If any liquidated damages are unpaid by the Contractor, the City shall be entitled to deduct these unpaid liquidated damages from the monies due the Contractor.

The liquidated damages are for the non-quantifiable aspects of any of the previously identified events and do not cover actual damages that can be shown or quantified nor are they intended to preclude recovery of actual damages in addition to the recovery of liquidated damages.

#### **ARTICLE IV - The Contract Sum**

- (A) The City shall pay to the Contractor for the performance of the Contract, the unit prices as given in the Bid Form for the estimated bid total of:

Two Hundred Thirty-One Thousand Thirty and 00/100 Dollars (\$231,030.00)

- (B) The amount paid shall be equitably adjusted to cover changes in the work ordered by the Supervising Professional but not required by the Contract Documents. Increases or decreases shall be determined only by written agreement between the City and Contractor.

#### **ARTICLE V - Assignment**

This Contract may not be assigned or subcontracted any portion of any right or obligation under this contract without the written consent of the City. Notwithstanding any consent by the City to any assignment, Contractor shall at all times remain bound to all warranties, certifications, indemnifications, promises and performances, however described, as are required of it under this contract unless specifically released from the requirement, in writing, by the City.

#### **ARTICLE VI - Choice of Law**

This Contract shall be construed, governed, and enforced in accordance with the laws of the State of Michigan. By executing this agreement, the Contractor and the City agree to venue in a court of appropriate jurisdiction sitting within Washtenaw County for purposes of any action arising under this Contract. The parties stipulate that the venue referenced in this Contract is for convenience and waive any claim of non-convenience.

Whenever possible, each provision of the Contract will be interpreted in a manner as to be effective and valid under applicable law. The prohibition or invalidity, under applicable law, of any provision will not invalidate the remainder of the Contract.

#### **ARTICLE VII - Relationship of the Parties**

The parties of the Contract agree that it is not a Contract of employment but is a Contract to accomplish a specific result. Contractor is an independent Contractor performing services for the City. Nothing contained in this Contract shall be deemed to constitute any other relationship between the City and the Contractor.

Contractor certifies that it has no personal or financial interest in the project other than the compensation it is to receive under the Contract. Contractor certifies that it is not, and shall not become, overdue or in default to the City for any Contract, debt, or any other obligation to the City including real or personal property taxes. City shall have the right to set off any such debt against compensation awarded for services under this agreement.

#### **ARTICLE VIII - Notice**

All notices given under this Contract shall be in writing, and shall be by personal delivery or by certified mail with return receipt requested to the parties at their respective addresses as specified in the Contract Documents or other address the Contractor may specify in writing. Notice will be deemed given on the date when one of the following first occur: (1) the date of actual receipt; or (2) three days after mailing certified U.S. mail.

**ARTICLE IX - Indemnification**

To the fullest extent permitted by law, Contractor shall indemnify, defend and hold harmless the City, its officers, employees and agents harmless from all suits, claims, judgments and expenses including attorney’s fees resulting or alleged to result, in whole or in part, from any act or omission, which is in any way connected or associated with this Contract, by the Contractor or anyone acting on the Contractor’s behalf under this Contract. Contractor shall not be responsible to indemnify the City for losses or damages caused by or resulting from the City’s sole negligence. The provisions of this Article shall survive the expiration or earlier termination of this contract for any reason.

**ARTICLE X - Entire Agreement**

This Contract represents the entire understanding between the City and the Contractor and it supersedes all prior representations, negotiations, agreements, or understandings whether written or oral. Neither party has relied on any prior representations in entering into this Contract. No terms or conditions of either party’s invoice, purchase order or other administrative document shall modify the terms and conditions of this Contract, regardless of the other party’s failure to object to such form. This Contract shall be binding on and shall inure to the benefit of the parties to this Contract and their permitted successors and permitted assigns and nothing in this Contract, express or implied, is intended to or shall confer on any other person or entity any legal or equitable right, benefit, or remedy of any nature whatsoever under or by reason of this Contract. This Contract may be altered, amended or modified only by written amendment signed by the City and the Contractor.

**FOR CONTRACTOR**

By \_\_\_\_\_

Its: \_\_\_\_\_

**FOR THE CITY OF ANN ARBOR**

By \_\_\_\_\_  
Christopher Taylor, Mayor

By \_\_\_\_\_  
Jacqueline Beaudry, City Clerk

**Approved as to substance**

By \_\_\_\_\_  
Howard S. Lazarus  
City Administrator

By \_\_\_\_\_  
Craig Hupy  
Public Services Area Administrator

**Approved as to form and content**

\_\_\_\_\_  
Stephen K. Postema, City Attorney

**PERFORMANCE BOND**

- (1) \_\_\_\_\_(referred to as "Principal"), and \_\_\_\_\_, a corporation duly authorized to do business in the State of Michigan (referred to as "Surety"), are bound to the City of Ann Arbor, Michigan (referred to as "City"), for \$ \_\_\_\_\_, the payment of which Principal and Surety bind themselves, their heirs, executors, administrators, successors and assigns, jointly and severally, by this bond.
- (2) The Principal has entered a written Contract with the City dated \_\_\_\_\_, 2018, for: \_\_\_\_\_ and this bond is given for that Contract in compliance with Act No. 213 of the Michigan Public Acts of 1963, as amended, being MCL 129.201 et seq.
- (3) Whenever the Principal is declared by the City to be in default under the Contract, the Surety may promptly remedy the default or shall promptly:
- (a) complete the Contract in accordance with its terms and conditions; or
  - (b) obtain a bid or bids for submission to the City for completing the Contract in accordance with its terms and conditions, and upon determination by Surety of the lowest responsible bidder, arrange for a Contract between such bidder and the City, and make available, as work progresses, sufficient funds to pay the cost of completion less the balance of the Contract price; but not exceeding, including other costs and damages for which Surety may be liable hereunder, the amount set forth in paragraph 1.
- (4) Surety shall have no obligation to the City if the Principal fully and promptly performs under the Contract.
- (5) Surety agrees that no change, extension of time, alteration or addition to the terms of the Contract or to the work to be performed thereunder, or the specifications accompanying it shall in any way affect its obligations on this bond, and waives notice of any such change, extension of time, alteration or addition to the terms of the Contract or to the work, or to the specifications.

**SIGNED AND SEALED** this \_\_\_\_\_ day of \_\_\_\_\_, 2018.

\_\_\_\_\_  
(Name of Surety Company)  
By \_\_\_\_\_  
(Signature)  
Its \_\_\_\_\_  
(Title of Office)

\_\_\_\_\_  
(Name of Principal)  
By \_\_\_\_\_  
(Signature)  
Its \_\_\_\_\_  
(Title of Office)

Approved as to form:

Name and address of agent:

\_\_\_\_\_  
Stephen K. Postema, City Attorney

\_\_\_\_\_  
\_\_\_\_\_  
\_\_\_\_\_

**LABOR AND MATERIAL BOND**

- (1) \_\_\_\_\_  
of \_\_\_\_\_(referred to as "Principal"), and \_\_\_\_\_, a corporation duly authorized to do business in the State of Michigan, (referred to as "Surety"), are bound to the City of Ann Arbor, Michigan (referred to as "City"), for the use and benefit of claimants as defined in Act 213 of Michigan Public Acts of 1963, as amended, being MCL 129.201 et seq., in the amount of \$ \_\_\_\_\_, for the payment of which Principal and Surety bind themselves, their heirs, executors, administrators, successors and assigns, jointly and severally, by this bond.
- (2) The Principal has entered a written Contract with the City, dated \_\_\_\_\_, 2018, for \_\_\_\_\_; and this bond is given for that Contract in compliance with Act No. 213 of the Michigan Public Acts of 1963 as amended;
- (3) If the Principal fails to promptly and fully repay claimants for labor and material reasonably required under the Contract, the Surety shall pay those claimants.
- (4) Surety's obligations shall not exceed the amount stated in paragraph 1, and Surety shall have no obligation if the Principal promptly and fully pays the claimants.

**SIGNED AND SEALED** this \_\_\_\_\_ day of \_\_\_\_\_, 201\_

\_\_\_\_\_  
(Name of Surety Company)  
By \_\_\_\_\_  
(Signature)  
Its \_\_\_\_\_  
(Title of Office)

\_\_\_\_\_  
(Name of Principal)  
By \_\_\_\_\_  
(Signature)  
Its \_\_\_\_\_  
(Title of Office)

Approved as to form:

Name and address of agent:

\_\_\_\_\_  
Stephen K. Postema, City Attorney

\_\_\_\_\_  
\_\_\_\_\_  
\_\_\_\_\_

# **GENERAL CONDITIONS**

## **Section 1 - Execution, Correlation and Intent of Documents**

The contract documents shall be signed in 2 copies by the City and the Contractor.

The contract documents are complementary and what is called for by any one shall be binding. The intention of the documents is to include all labor and materials, equipment and transportation necessary for the proper execution of the work. Materials or work described in words which so applied have a well-known technical or trade meaning have the meaning of those recognized standards.

In case of a conflict among the contract documents listed below in any requirement(s), the requirement(s) of the document listed first shall prevail over any conflicting requirement(s) of a document listed later.

(1) Addenda in reverse chronological order; (2) Detailed Specifications; (3) Standard Specifications; (4) Plans; (5) General Conditions; (6) Contract; (7) Bid Forms; (8) Bond Forms; (9) Bid.

## **Section 2 - Order of Completion**

The Contractor shall submit with each invoice, and at other times reasonably requested by the Supervising Professional, schedules showing the order in which the Contractor proposes to carry on the work. They shall include the dates at which the Contractor will start the several parts of the work, the estimated dates of completion of the several parts, and important milestones within the several parts.

## **Section 3 - Familiarity with Work**

The Bidder or its representative shall make personal investigations of the site of the work and of existing structures and shall determine to its own satisfaction the conditions to be encountered, the nature of the ground, the difficulties involved, and all other factors affecting the work proposed under this Contract. The Bidder to whom this Contract is awarded will not be entitled to any additional compensation unless conditions are clearly different from those which could reasonably have been anticipated by a person making diligent and thorough investigation of the site.

The Bidder shall immediately notify the City upon discovery, and in every case prior to submitting its Bid, of every error or omission in the bidding documents that would be identified by a reasonably competent, diligent Bidder. In no case will a Bidder be allowed the benefit of extra compensation or time to complete the work under this Contract for extra expenses or time spent as a result of the error or omission.

## **Section 4 - Wage Requirements**

Under this Contract, the Contractor shall conform to Chapter 14 of Title I of the Code of the City of Ann Arbor as amended; which in part states "...that all craftsmen, mechanics and laborers employed directly on the site in connection with said improvements, including said employees of subcontractors, shall receive the prevailing wage for the corresponding classes of craftsmen,



mechanics and laborers, as determined by statistics for the Ann Arbor area compiled by the United States Department of Labor. At the request of the City, any contractor or subcontractor shall provide satisfactory proof of compliance with the contract provisions required by the Section.

Pursuant to Resolution R-16-469 all public improvement contractors are subject to prevailing wage and will be required to provide to the City payroll records sufficient to demonstrate compliance with the prevailing wage requirements. A sample Prevailing Wage Form is provided in the Appendix herein for reference as to what will be expected from contractors. Use of the Prevailing Wage Form provided in the Appendix section or a City-approved equivalent will be required along with wage rate interviews.

Where the Contract and the Ann Arbor City Ordinance are silent as to definitions of terms required in determining contract compliance with regard to prevailing wages, the definitions provided in the Davis-Bacon Act as amended (40 U.S.C. 278-a to 276-a-7) for the terms shall be used.

If the Contractor is a "covered employer" as defined in Chapter 23 of the Ann Arbor City Code, the Contractor agrees to comply with the living wage provisions of Chapter 23 of the Ann Arbor City Code. The Contractor agrees to pay those employees providing Services to the City under this Agreement a "living wage," as defined in Section 1:815 of the Ann Arbor City Code, as adjusted in accordance with Section 1:815(3); to post a notice approved by the City of the applicability of Chapter 23 in every location in which regular or contract employees providing services under this Agreement are working; to maintain records of compliance; if requested by the City, to provide documentation to verify compliance; to take no action that would reduce the compensation, wages, fringe benefits, or leave available to any employee or person contracted for employment in order to pay the living wage required by Section 1:815; and otherwise to comply with the requirements of Chapter 23.

Contractor agrees that all subcontracts entered into by the Contractor shall contain similar wage provision covering subcontractor's employees who perform work on this contract.

## **Section 5 - Non-Discrimination**

The Contractor agrees to comply, and to require its subcontractor(s) to comply, with the nondiscrimination provisions of MCL 37.2209. The Contractor further agrees to comply with the provisions of Section 9:158 of Chapter 112 of Title IX of the Ann Arbor City Code, and to assure that applicants are employed and that employees are treated during employment in a manner which provides equal employment opportunity.

## **Section 6 - Materials, Appliances, Employees**

Unless otherwise stipulated, the Contractor shall provide and pay for all materials, labor, water, tools, equipment, light, power, transportation, and other facilities necessary or used for the execution and completion of the work. Unless otherwise specified, all materials incorporated in the permanent work shall be new, and both workmanship and materials shall be of the highest quality. The Contractor shall, if required, furnish satisfactory evidence as to the kind and quality of materials.

The Contractor shall at all times enforce strict discipline and good order among its employees, and shall seek to avoid employing on the work any unfit person or anyone not skilled in the work assigned.

Adequate sanitary facilities shall be provided by the Contractor.

## **Section 7 - Qualifications for Employment**

The Contractor shall employ competent laborers and mechanics for the work under this Contract. For work performed under this Contract, employment preference shall be given to qualified local residents.

## **Section 8 - Royalties and Patents**

The Contractor shall pay all royalties and license fees. It shall defend all suits or claims for infringements of any patent rights and shall hold the City harmless from loss on account of infringement except that the City shall be responsible for all infringement loss when a particular process or the product of a particular manufacturer or manufacturers is specified, unless the City has notified the Contractor prior to the signing of the Contract that the particular process or product is patented or is believed to be patented.

## **Section 9 - Permits and Regulations**

The Contractor must secure and pay for all permits, permit or plan review fees and licenses necessary for the prosecution of the work. These include but are not limited to City building permits, right-of-way permits, lane closure permits, right-of-way occupancy permits, and the like. The City shall secure and pay for easements shown on the plans unless otherwise specified.

The Contractor shall give all notices and comply with all laws, ordinances, rules and regulations bearing on the conduct of the work as drawn and specified. If the Contractor observes that the contract documents are at variance with those requirements, it shall promptly notify the Supervising Professional in writing, and any necessary changes shall be adjusted as provided in the Contract for changes in the work.

## **Section 10 - Protection of the Public and of Work and Property**

The Contractor is responsible for the means, methods, sequences, techniques and procedures of construction and safety programs associated with the work contemplated by this contract. The Contractor, its agents or sub-contractors, shall comply with the "General Rules and Regulations for the Construction Industry" as published by the Construction Safety Commission of the State of Michigan and to all other local, State and National laws, ordinances, rules and regulations pertaining to safety of persons and property.

The Contractor shall take all necessary and reasonable precautions to protect the safety of the public. It shall continuously maintain adequate protection of all work from damage, and shall take all necessary and reasonable precautions to adequately protect all public and private property from injury or loss arising in connection with this Contract. It shall make good any damage, injury or loss to its work and to public and private property resulting from lack of reasonable protective precautions, except as may be due to errors in the contract documents, or caused by agents or employees of the City. The Contractor shall obtain and maintain sufficient insurance to cover damage to any City property at the site by any cause.

In an emergency affecting the safety of life, or the work, or of adjoining property, the Contractor is, without special instructions or authorization from the Supervising Professional, permitted to act at its discretion to prevent the threatened loss or injury. It shall also so act, without appeal, if authorized or instructed by the Supervising Professional.

Any compensation claimed by the Contractor for emergency work shall be determined by agreement or in accordance with the terms of Claims for Extra Cost - Section 15.

## **Section 11 - Inspection of Work**

The City shall provide sufficient competent personnel for the inspection of the work.

The Supervising Professional shall at all times have access to the work whenever it is in preparation or progress, and the Contractor shall provide proper facilities for access and for inspection.

If the specifications, the Supervising Professional's instructions, laws, ordinances, or any public authority require any work to be specially tested or approved, the Contractor shall give the Supervising Professional timely notice of its readiness for inspection, and if the inspection is by an authority other than the Supervising Professional, of the date fixed for the inspection. Inspections by the Supervising Professional shall be made promptly, and where practicable at the source of supply. If any work should be covered up without approval or consent of the Supervising Professional, it must, if required by the Supervising Professional, be uncovered for examination and properly restored at the Contractor's expense.

Re-examination of any work may be ordered by the Supervising Professional, and, if so ordered, the work must be uncovered by the Contractor. If the work is found to be in accordance with the contract documents, the City shall pay the cost of re-examination and replacement. If the work is not in accordance with the contract documents, the Contractor shall pay the cost.

## **Section 12 - Superintendence**

The Contractor shall keep on the work site, during its progress, a competent superintendent and any necessary assistants, all satisfactory to the Supervising Professional. The superintendent will be responsible to perform all on-site project management for the Contractor. The superintendent shall be experienced in the work required for this Contract. The superintendent shall represent the Contractor and all direction given to the superintendent shall be binding as if given to the Contractor. Important directions shall immediately be confirmed in writing to the Contractor. Other directions will be confirmed on written request. The Contractor shall give efficient superintendence to the work, using its best skill and attention.

## **Section 13 - Changes in the Work**

The City may make changes to the quantities of work within the general scope of the Contract at any time by a written order and without notice to the sureties. If the changes add to or deduct from the extent of the work, the Contract Sum shall be adjusted accordingly. All the changes shall be executed under the conditions of the original Contract except that any claim for extension of time caused by the change shall be adjusted at the time of ordering the change.

In giving instructions, the Supervising Professional shall have authority to make minor changes in the work not involving extra cost and not inconsistent with the purposes of the work, but otherwise, except in an emergency endangering life or property, no extra work or change shall be made unless in pursuance of a written order by the Supervising Professional, and no claim for an addition to the Contract Sum shall be valid unless the additional work was ordered in writing.

The Contractor shall proceed with the work as changed and the value of the work shall be determined as provided in Claims for Extra Cost - Section 15.

## **Section 14 - Extension of Time**

Extension of time stipulated in the Contract for completion of the work will be made if and as the Supervising Professional may deem proper under any of the following circumstances:

- (1) When work under an extra work order is added to the work under this Contract;
- (2) When the work is suspended as provided in Section 20;
- (3) When the work of the Contractor is delayed on account of conditions which could not have been foreseen, or which were beyond the control of the Contractor, and which were not the result of its fault or negligence;
- (4) Delays in the progress of the work caused by any act or neglect of the City or of its employees or by other Contractors employed by the City;
- (5) Delay due to an act of Government;
- (6) Delay by the Supervising Professional in the furnishing of plans and necessary information;
- (7) Other cause which in the opinion of the Supervising Professional entitles the Contractor to an extension of time.

The Contractor shall notify the Supervising Professional within 7 days of an occurrence or conditions which, in the Contractor's opinion, entitle it to an extension of time. The notice shall be in writing and submitted in ample time to permit full investigation and evaluation of the Contractor's claim. The Supervising Professional shall acknowledge receipt of the Contractor's notice within 7 days of its receipt. Failure to timely provide the written notice shall constitute a waiver by the Contractor of any claim.

In situations where an extension of time in contract completion is appropriate under this or any other section of the contract, the Contractor understands and agrees that the only available adjustment for events that cause any delays in contract completion shall be extension of the required time for contract completion and that there shall be no adjustments in the money due the Contractor on account of the delay.

## **Section 15 - Claims for Extra Cost**

If the Contractor claims that any instructions by drawings or other media issued after the date of the Contract involved extra cost under this Contract, it shall give the Supervising Professional written notice within 7 days after the receipt of the instructions, and in any event before proceeding to execute the work, except in emergency endangering life or property. The procedure shall then be as provided for Changes in the Work-Section 13. No claim shall be valid unless so made.

If the Supervising Professional orders, in writing, the performance of any work not covered by the contract documents, and for which no item of work is provided in the Contract, and for which no unit price or lump sum basis can be agreed upon, then the extra work shall be done on a Cost-Plus-Percentage basis of payment as follows:

- (1) The Contractor shall be reimbursed for all reasonable costs incurred in doing the work, and shall receive an additional payment of 15% of all the reasonable costs to cover both its indirect overhead costs and profit;

- (2) The term "Cost" shall cover all payroll charges for employees and supervision required under the specific order, together with all worker's compensation, Social Security, pension and retirement allowances and social insurance, or other regular payroll charges on same; the cost of all material and supplies required of either temporary or permanent character; rental of all power-driven equipment at agreed upon rates, together with cost of fuel and supply charges for the equipment; and any costs incurred by the Contractor as a direct result of executing the order, if approved by the Supervising Professional;
- (3) If the extra is performed under subcontract, the subcontractor shall be allowed to compute its charges as described above. The Contractor shall be permitted to add an additional charge of 5% percent to that of the subcontractor for the Contractor's supervision and contractual responsibility;
- (4) The quantities and items of work done each day shall be submitted to the Supervising Professional in a satisfactory form on the succeeding day, and shall be approved by the Supervising Professional and the Contractor or adjusted at once;
- (5) Payments of all charges for work under this Section in any one month shall be made along with normal progress payments. Retainage shall be in accordance with Progress Payments-Section 16.

No additional compensation will be provided for additional equipment, materials, personnel, overtime or special charges required to perform the work within the time requirements of the Contract.

When extra work is required and no suitable price for machinery and equipment can be determined in accordance with this Section, the hourly rate paid shall be 1/40 of the basic weekly rate listed in the Rental Rate Blue Book published by Dataquest Incorporated and applicable to the time period the equipment was first used for the extra work. The hourly rate will be deemed to include all costs of operation such as bucket or blade, fuel, maintenance, "regional factors", insurance, taxes, and the like, but not the costs of the operator.

## **Section 16 - Progress Payments**

The Contractor shall submit each month, or at longer intervals, if it so desires, an invoice covering work performed for which it believes payment, under the Contract terms, is due. The submission shall be to the City's Finance Department - Accounting Division. The Supervising Professional will, within 10 days following submission of the invoice, prepare a certificate for payment for the work in an amount to be determined by the Supervising Professional as fairly representing the acceptable work performed during the period covered by the Contractor's invoice. To insure the proper performance of this Contract, the City will retain a percentage of the estimate in accordance with Act 524, Public Acts of 1980. The City will then, following the receipt of the Supervising Professional's Certificate, make payment to the Contractor as soon as feasible, which is anticipated will be within 15 days.

An allowance may be made in progress payments if substantial quantities of permanent material have been delivered to the site but not incorporated in the completed work if the Contractor, in the opinion of the Supervising Professional, is diligently pursuing the work under this Contract. Such materials shall be properly stored and adequately protected. Allowance in the estimate shall be at the invoice price value of the items. Notwithstanding any payment of any allowance, all risk of loss due to vandalism or any damages to the stored materials remains with the Contractor.

In the case of Contracts which include only the Furnishing and Delivering of Equipment, the payments shall be; 60% of the Contract Sum upon the delivery of all equipment to be furnished,

or in the case of delivery of a usable portion of the equipment in advance of the total equipment delivery, 60% of the estimated value of the portion of the equipment may be paid upon its delivery in advance of the time of the remainder of the equipment to be furnished; 30% of the Contract Sum upon completion of erection of all equipment furnished, but not later than 60 days after the date of delivery of all of the equipment to be furnished; and payment of the final 10% on final completion of erection, testing and acceptance of all the equipment to be furnished; but not later than 180 days after the date of delivery of all of the equipment to be furnished, unless testing has been completed and shows the equipment to be unacceptable.

With each invoice for periodic payment, the Contractor shall enclose a Contractor's Declaration - Section 43, and an updated project schedule per Order of Completion - Section 2.

### **Section 17 - Deductions for Uncorrected Work**

If the Supervising Professional decides it is inexpedient to correct work that has been damaged or that was not done in accordance with the Contract, an equitable deduction from the Contract price shall be made.

### **Section 18 - Correction of Work Before Final Payment**

The Contractor shall promptly remove from the premises all materials condemned by the Supervising Professional as failing to meet Contract requirements, whether incorporated in the work or not, and the Contractor shall promptly replace and re-execute the work in accordance with the Contract and without expense to the City and shall bear the expense of making good all work of other contractors destroyed or damaged by the removal or replacement.

If the Contractor does not remove the condemned work and materials within 10 days after written notice, the City may remove them and, if the removed material has value, may store the material at the expense of the Contractor. If the Contractor does not pay the expense of the removal within 10 days thereafter, the City may, upon 10 days written notice, sell the removed materials at auction or private sale and shall pay to the Contractor the net proceeds, after deducting all costs and expenses that should have been borne by the Contractor. If the removed material has no value, the Contractor must pay the City the expenses for disposal within 10 days of invoice for the disposal costs.

The inspection or lack of inspection of any material or work pertaining to this Contract shall not relieve the Contractor of its obligation to fulfill this Contract and defective work shall be made good. Unsuitable materials may be rejected by the Supervising Professional notwithstanding that the work and materials have been previously overlooked by the Supervising Professional and accepted or estimated for payment or paid for. If the work or any part shall be found defective at any time before the final acceptance of the whole work, the Contractor shall forthwith make good the defect in a manner satisfactory to the Supervising Professional. The judgment and the decision of the Supervising Professional as to whether the materials supplied and the work done under this Contract comply with the requirements of the Contract shall be conclusive and final.

### **Section 19 - Acceptance and Final Payment**

Upon receipt of written notice that the work is ready for final inspection and acceptance, the Supervising Professional will promptly make the inspection. When the Supervising Professional finds the work acceptable under the Contract and the Contract fully performed, the Supervising Professional will promptly sign and issue a final certificate stating that the work required by this Contract has been completed and is accepted by the City under the terms and conditions of the Contract. The entire balance found to be due the Contractor, including the retained percentage, shall be paid to the Contractor by the City within 30 days after the date of the final certificate.

Before issuance of final certificates, the Contractor shall file with the City:

- (1) The consent of the surety to payment of the final estimate;
- (2) The Contractor's Affidavit in the form required by Section 44.

In case the Affidavit or consent is not furnished, the City may retain out of any amount due the Contractor, sums sufficient to cover all lienable claims.

The making and acceptance of the final payment shall constitute a waiver of all claims by the City except those arising from:

- (1) unsettled liens;
- (2) faulty work appearing within 12 months after final payment;
- (3) hidden defects in meeting the requirements of the plans and specifications;
- (4) manufacturer's guarantees.

It shall also constitute a waiver of all claims by the Contractor, except those previously made and still unsettled.

## **Section 20 - Suspension of Work**

The City may at any time suspend the work, or any part by giving 5 days' notice to the Contractor in writing. The work shall be resumed by the Contractor within 10 days after the date fixed in the written notice from the City to the Contractor to do so. The City shall reimburse the Contractor for expense incurred by the Contractor in connection with the work under this Contract as a result of the suspension.

If the work, or any part, shall be stopped by the notice in writing, and if the City does not give notice in writing to the Contractor to resume work at a date within 90 days of the date fixed in the written notice to suspend, then the Contractor may abandon that portion of the work suspended and will be entitled to the estimates and payments for all work done on the portions abandoned, if any, plus 10% of the value of the work abandoned, to compensate for loss of overhead, plant expense, and anticipated profit.

## **Section 21 - Delays and the City's Right to Terminate Contract**

If the Contractor refuses or fails to prosecute the work, or any separate part of it, with the diligence required to insure completion, ready for operation, within the allowable number of consecutive calendar days specified plus extensions, or fails to complete the work within the required time, the City may, by written notice to the Contractor, terminate its right to proceed with the work or any part of the work as to which there has been delay. After providing the notice the City may take over the work and prosecute it to completion, by contract or otherwise, and the Contractor and its sureties shall be liable to the City for any excess cost to the City. If the Contractor's right to proceed is terminated, the City may take possession of and utilize in completing the work, any materials, appliances and plant as may be on the site of the work and useful for completing the work. The right of the Contractor to proceed shall not be terminated or the Contractor charged with liquidated damages where an extension of time is granted under Extension of Time - Section 14.

If the Contractor is adjudged a bankrupt, or if it makes a general assignment for the benefit of creditors, or if a receiver is appointed on account of its insolvency, or if it persistently or repeatedly refuses or fails except in cases for which extension of time is provided, to supply enough properly skilled workers or proper materials, or if it fails to make prompt payments to subcontractors or for

material or labor, or persistently disregards laws, ordinances or the instructions of the Supervising Professional, or otherwise is guilty of a substantial violation of any provision of the Contract, then the City, upon the certificate of the Supervising Professional that sufficient cause exists to justify such action, may, without prejudice to any other right or remedy and after giving the Contractor 3 days written notice, terminate this Contract. The City may then take possession of the premises and of all materials, tools and appliances thereon and without prejudice to any other remedy it may have, make good the deficiencies or finish the work by whatever method it may deem expedient, and deduct the cost from the payment due the Contractor. The Contractor shall not be entitled to receive any further payment until the work is finished. If the expense of finishing the work, including compensation for additional managerial and administrative services exceeds the unpaid balance of the Contract Sum, the Contractor and its surety are liable to the City for any excess cost incurred. The expense incurred by the City, and the damage incurred through the Contractor's default, shall be certified by the Supervising Professional.

## **Section 22 - Contractor's Right to Terminate Contract**

If the work should be stopped under an order of any court, or other public authority, for a period of 3 months, through no act or fault of the Contractor or of anyone employed by it, then the Contractor may, upon 7 days written notice to the City, terminate this Contract and recover from the City payment for all acceptable work executed plus reasonable profit.

## **Section 23 - City's Right To Do Work**

If the Contractor should neglect to prosecute the work properly or fail to perform any provision of this Contract, the City, 3 days after giving written notice to the Contractor and its surety may, without prejudice to any other remedy the City may have, make good the deficiencies and may deduct the cost from the payment due to the Contractor.

## **Section 24 - Removal of Equipment and Supplies**

In case of termination of this Contract before completion, from any or no cause, the Contractor, if notified to do so by the City, shall promptly remove any part or all of its equipment and supplies from the property of the City, failing which the City shall have the right to remove the equipment and supplies at the expense of the Contractor.

The removed equipment and supplies may be stored by the City and, if all costs of removal and storage are not paid by the Contractor within 10 days of invoicing, the City upon 10 days written notice may sell the equipment and supplies at auction or private sale, and shall pay the Contractor the net proceeds after deducting all costs and expenses that should have been borne by the Contractor and after deducting all amounts claimed due by any lien holder of the equipment or supplies.

## **Section 25 - Responsibility for Work and Warranties**

The Contractor assumes full responsibility for any and all materials and equipment used in the construction of the work and may not make claims against the City for damages to materials and equipment from any cause except negligence or willful act of the City. Until its final acceptance, the Contractor shall be responsible for damage to or destruction of the project (except for any part covered by Partial Completion and Acceptance - Section 26). The Contractor shall make good all work damaged or destroyed before acceptance. All risk of loss remains with the Contractor until final acceptance of the work (Section 19) or partial acceptance (Section 26). The Contractor is advised to investigate obtaining its own builders risk insurance.



The Contractor shall guarantee the quality of the work for a period of one year. The Contractor shall also unconditionally guarantee the quality of all equipment and materials that are furnished and installed under the contract for a period of one year. At the end of one year after the Contractor's receipt of final payment, the complete work, including equipment and materials furnished and installed under the contract, shall be inspected by the Contractor and the Supervising Professional. Any defects shall be corrected by the Contractor at its expense as soon as practicable but in all cases within 60 days. Any defects that are identified prior to the end of one year shall also be inspected by the Contractor and the Supervising Professional and shall be corrected by the Contractor at its expense as soon as practicable but in all cases within 60 days. The Contractor shall assign all manufacturer or material supplier warranties to the City prior to final payment. The assignment shall not relieve the Contractor of its obligations under this paragraph to correct defects.

## **Section 26 - Partial Completion and Acceptance**

If at any time prior to the issuance of the final certificate referred to in Acceptance and Final Payment - Section 19, any portion of the permanent construction has been satisfactorily completed, and if the Supervising Professional determines that portion of the permanent construction is not required for the operations of the Contractor but is needed by the City, the Supervising Professional shall issue to the Contractor a certificate of partial completion, and immediately the City may take over and use the portion of the permanent construction described in the certificate, and exclude the Contractor from that portion.

The issuance of a certificate of partial completion shall not constitute an extension of the Contractor's time to complete the portion of the permanent construction to which it relates if the Contractor has failed to complete it in accordance with the terms of this Contract. The issuance of the certificate shall not release the Contractor or its sureties from any obligations under this Contract including bonds.

If prior use increases the cost of, or delays the work, the Contractor shall be entitled to extra compensation, or extension of time, or both, as the Supervising Professional may determine.

## **Section 27 - Payments Withheld Prior to Final Acceptance of Work**

The City may withhold or, on account of subsequently discovered evidence, nullify the whole or part of any certificate to the extent reasonably appropriate to protect the City from loss on account of:

- (1) Defective work not remedied;
- (2) Claims filed or reasonable evidence indicating probable filing of claims by other parties against the Contractor;
- (3) Failure of the Contractor to make payments properly to subcontractors or for material or labor;
- (4) Damage to another Contractor.

When the above grounds are removed or the Contractor provides a Surety Bond satisfactory to the City which will protect the City in the amount withheld, payment shall be made for amounts withheld under this section.

## Section 28 - Contractor's Insurance

- (1) The Contractor shall procure and maintain during the life of this Contract, including the guarantee period and during any warranty work, such insurance policies, including those set forth below, as will protect itself and the City from all claims for bodily injuries, death or property damage which may arise under this Contract; whether the act(s) or omission(s) giving rise to the claim were made by the Contractor or by any subcontractor or anyone employed by them directly or indirectly. In the case of all contracts involving on-site work, the Contractor shall provide to the City, before the commencement of any work under this contract, certificates of insurance and other documentation satisfactory to the City demonstrating it has obtained the policies and endorsements required. on behalf of itself, and when requested, any subcontractor(s). The certificates of insurance endorsements and/or copies of policy language shall document that the Contractor satisfies the following minimum requirements.
  - (a) Worker's Compensation Insurance in accordance with all applicable state and federal statutes. Further, Employers Liability Coverage shall be obtained in the following minimum amounts:
    - Bodily Injury by Accident - \$500,000 each accident
    - Bodily Injury by Disease - \$500,000 each employee
    - Bodily Injury by Disease - \$500,000 each policy limit
  - (b) Commercial General Liability Insurance equivalent to, as a minimum, Insurance Services Office form CG 00 01 07 98 or current equivalent. The City of Ann Arbor shall be named as an additional insured. There shall be no added exclusions or limiting endorsements specifically for the following coverages: Products and Completed Operations, Explosion, Collapse and Underground coverage or Pollution. Further there shall be no added exclusions or limiting endorsements which diminish the City's protections as an additional insured under the policy. The following minimum limits of liability are required:
    - \$1,000,000 Each occurrence as respect Bodily Injury Liability or Property Damage Liability, or both combined.
    - \$2,000,000 Per Job General Aggregate
    - \$1,000,000 Personal and Advertising Injury
    - \$2,000,000 Products and Completed Operations Aggregate
  - (c) Motor Vehicle Liability Insurance, including Michigan No-Fault Coverages, equivalent to, as a minimum, Insurance Services Office form CA 00 01 07 97 or current equivalent. Coverage shall include all owned vehicles, all non-owned vehicles and all hired vehicles. The City of Ann Arbor shall be named as an additional insured. There shall be no added exclusions or limiting endorsements which diminish the City's protections as an additional insured under the policy. Further, the limits of liability shall be \$1,000,000 for each occurrence as respects Bodily Injury Liability or Property Damage Liability, or both combined.
  - (d) Umbrella/Excess Liability Insurance shall be provided to apply excess of the Commercial General Liability, Employers Liability and the Motor Vehicle coverage enumerated above, for each occurrence and for aggregate in the amount of \$1,000,000.
- (2) Insurance required under subsection (1)(b) and (1)(c) above shall be considered primary as respects any other valid or collectible insurance that the City may possess, including

any self-insured retentions the City may have; and any other insurance the City does possess shall be considered excess insurance only and shall not be required to contribute with this insurance. Further, the Contractor agrees to waive any right of recovery by its insurer against the City.

- (3) Insurance companies and policy forms are subject to approval of the City Attorney, which approval shall not be unreasonably withheld. Documentation must provide and demonstrate an unconditional 30 day written notice of cancellation in favor of the City of Ann Arbor. Further, the documentation must explicitly state the following: (a) the policy number; name of insurance company; name and address of the agent or authorized representative; name and address of insured; project name; policy expiration date; and specific coverage amounts; (b) any deductibles or self-insured retentions which shall be approved by the City, in its sole discretion; (c) that the policy conforms to the requirements specified Contractor shall furnish the City with satisfactory certificates of insurance and endorsements prior to commencement of any work. Upon request, the Contractor shall provide within 30 days a copy of the policy(ies) to the City. If any of the above coverages expire by their terms during the term of this Contract, the Contractor shall deliver proof of renewal and/or new policies and endorsements to the Administering Service Area/Unit at least ten days prior to the expiration date.
- (4) Any Insurance provider of Contractor shall be admitted and authorized to do business in the State of Michigan and shall carry and maintain a minimum rating assigned by A.M. Best & Company's Key Rating Guide of "A-" Overall and a minimum Financial Size Category of "V". Insurance policies and certificates issued by non-admitted insurance companies are not acceptable unless approved in writing by the City.
- (5) City reserves the right to require additional coverage and/or coverage amounts as may be included from time to time in the Detailed Specifications for the Project.
- (6) The provisions of General Condition 28 shall survive the expiration or earlier termination of this contract for any reason.

## **Section 29 - Surety Bonds**

Bonds will be required from the successful bidder as follows:

- (1) A Performance Bond to the City of Ann Arbor for the amount of the bid(s) accepted;
- (2) A Labor and Material Bond to the City of Ann Arbor for the amount of the bid(s) accepted.

Bonds shall be executed on forms supplied by the City in a manner and by a Surety Company authorized to transact business in Michigan and satisfactory to the City Attorney.

## **Section 30 - Damage Claims**

The Contractor shall be held responsible for all damages to property of the City or others, caused by or resulting from the negligence of the Contractor, its employees, or agents during the progress of or connected with the prosecution of the work, whether within the limits of the work or elsewhere. The Contractor must restore all property injured including sidewalks, curbing, sodding, pipes, conduit, sewers or other public or private property to not less than its original condition with new work.

## **Section 31 - Refusal to Obey Instructions**

If the Contractor refuses to obey the instructions of the Supervising Professional, the Supervising Professional shall withdraw inspection from the work, and no payments will be made for work performed thereafter nor may work be performed thereafter until the Supervising Professional shall have again authorized the work to proceed.

## **Section 32 - Assignment**

Neither party to the Contract shall assign the Contract without the written consent of the other. The Contractor may assign any monies due to it to a third party acceptable to the City.

## **Section 33 - Rights of Various Interests**

Whenever work being done by the City's forces or by other contractors is contiguous to work covered by this Contract, the respective rights of the various interests involved shall be established by the Supervising Professional, to secure the completion of the various portions of the work in general harmony.

The Contractor is responsible to coordinate all aspects of the work, including coordination of, and with, utility companies and other contractors whose work impacts this project.

## **Section 34 - Subcontracts**

The Contractor shall not award any work to any subcontractor without prior written approval of the City. The approval will not be given until the Contractor submits to the City a written statement concerning the proposed award to the subcontractor. The statement shall contain all information the City may require.

The Contractor shall be as fully responsible to the City for the acts and omissions of its subcontractors, and of persons either directly or indirectly employed by them, as it is for the acts and omissions of persons directly employed by it.

The Contractor shall cause appropriate provisions to be inserted in all subcontracts relative to the work to bind subcontractors to the Contractor by the terms of the General Conditions and all other contract documents applicable to the work of the subcontractors and to give the Contractor the same power to terminate any subcontract that the City may exercise over the Contractor under any provision of the contract documents.

Nothing contained in the contract documents shall create any contractual relation between any subcontractor and the City.

## **Section 35 - Supervising Professional's Status**

The Supervising Professional has the right to inspect any or all work. The Supervising Professional has authority to stop the work whenever stoppage may be appropriate to insure the proper execution of the Contract. The Supervising Professional has the authority to reject all work and materials which do not conform to the Contract and to decide questions which arise in the execution of the work.

The Supervising Professional shall make all measurements and determinations of quantities. Those measurements and determinations are final and conclusive between the parties.

## **Section 36 - Supervising Professional's Decisions**

The Supervising Professional shall, within a reasonable time after their presentation to the Supervising Professional, make decisions in writing on all claims of the City or the Contractor and on all other matters relating to the execution and progress of the work or the interpretation of the contract documents.

## **Section 37 - Storing Materials and Supplies**

Materials and supplies may be stored at the site of the work at locations agreeable to the City unless specific exception is listed elsewhere in these documents. Ample way for foot traffic and drainage must be provided, and gutters must, at all times, be kept free from obstruction. Traffic on streets shall be interfered with as little as possible. The Contractor may not enter or occupy with agents, employees, tools, or material any private property without first obtaining written permission from its owner. A copy of the permission shall be furnished to the Supervising Professional.

## **Section 38 - Lands for Work**

The Contractor shall provide, at its own expense and without liability to the City, any additional land and access that may be required for temporary construction facilities or for storage of materials.

## **Section 39 - Cleaning Up**

The Contractor shall, as directed by the Supervising Professional, remove at its own expense from the City's property and from all public and private property all temporary structures, rubbish and waste materials resulting from its operations unless otherwise specifically approved, in writing, by the Supervising Professional.

## **Section 40 - Salvage**

The Supervising Professional may designate for salvage any materials from existing structures or underground services. Materials so designated remain City property and shall be transported or stored at a location as the Supervising Professional may direct.

## **Section 41 - Night, Saturday or Sunday Work**

No night or Sunday work (without prior written City approval) will be permitted except in the case of an emergency and then only to the extent absolutely necessary. The City may allow night work which, in the opinion of the Supervising Professional, can be satisfactorily performed at night. Night work is any work between 8:00 p.m. and 7:00 a.m. No Saturday work will be permitted unless the Contractor gives the Supervising Professional at least 48 hours but not more than 5 day's notice of the Contractor's intention to work the upcoming Saturday.

## **Section 42 - Sales Taxes**

Under State law the City is exempt from the assessment of State Sales Tax on its direct purchases. Contractors who acquire materials, equipment, supplies, etc. for incorporation in City projects are not likewise exempt. State Law shall prevail. The Bidder shall familiarize itself with the State Law and prepare its Bid accordingly. No extra payment will be allowed under this Contract for failure of the Contractor to make proper allowance in this bid for taxes it must pay.

**Section 43**

**CONTRACTOR'S DECLARATION**

I hereby declare that I have not, during the period \_\_\_\_\_, 2018, to \_\_\_\_\_, 2018, performed any work, furnished any materials, sustained any loss, damage or delay, or otherwise done anything in addition to the regular items (or executed change orders) set forth in the Contract titled \_\_\_\_\_, for which I shall ask, demand, sue for, or claim compensation or extension of time from the City, except as I hereby make claim for additional compensation or extension of time as set forth on the attached itemized statement. I further declare that I have paid all payroll obligations related to this Contract that have become due during the above period and that all invoices related to this Contract received more than 30 days prior to this declaration have been paid in full except as listed below.

There is/is not (Contractor please circle one and strike one as appropriate) an itemized statement attached regarding a request for additional compensation or extension of time.

\_\_\_\_\_  
Contractor Date

By \_\_\_\_\_  
(Signature)

Its \_\_\_\_\_  
(Title of Office)

Past due invoices, if any, are listed below.



## **STANDARD SPECIFICATIONS**

All work under this contract shall be performed in accordance with the Public Services Department Standard Specifications in effect at the date of availability of the contract documents stipulated in the Bid. All work under this Contract which is not included in these Standard Specifications, or which is performed using modifications to these Standard Specifications, shall be performed in accordance with the Detailed Specifications included in these contract documents.

Standard Specifications are available online:

<http://www.a2gov.org/departments/engineering/Pages/Engineering-and-Contractor-Resources.aspx>



**DETAILED SPECIFICATIONS**

CITY OF ANN ARBOR

**NOTICE TO BIDDERS**

100

1 of 2

2/05/18

Utilities Coordination

The Contractor shall cooperate and coordinate construction activities with the owners of utilities as stated in subsection 104.08 of the Standard Specifications for Construction. In addition, for the protection of underground utilities, the Contractor shall follow the requirements in subsection 107.12 of the Standard Specifications for Construction. Contractor delay claims resulting from a utility will be determined based upon subsection 108.09 of the Standard Specifications for Construction.

The following Utility Owners have facilities located within the Right-of-Way:

<u>Utility</u>	<u>Type of Service</u>
City of Ann Arbor W.R. Wheeler Service Center 4251 Stone School Road Ann Arbor, MI 48108 734 794-6351	Sanitary Sewer (Ryan Ferrell - ext. 43325) Water (Daniel Wooden - ext. 43324) Storm Sewer (Pat Maino - ext. 43327) Communications/Signs/Signals/Street Lighting (Chuck Fojtik - ext. 43322)
AT&T 550 South Maple Ann Arbor, MI 48103 Attn: Debora Renner 734-996-5485 debora.a.renner@att.com	Telephone/Fiber Optic
Comcast 27800 Franklin Road Southfield, MI 48034 Attn: Ron Southerland 248-359-6544 ronald_southerland@cable.comcast.com	Cable/Fiber Optic
DTE Energy 2000 2 <sup>nd</sup> Ave, Room 518 S.B. Detroit, MI 48226 Attn: Julie Gottardi 734-884-0585 gottardij@dteenergy.com	Electric

CITY OF ANN ARBOR

**NOTICE TO BIDDERS**

100

2 of 2

2/05/18

DTE Energy (Michcon)  
17150 Allen Road  
Melvindale, MI 48122  
Attn: Laurie Forrester  
313-389-7261  
forresterl@dteenergy.com

Gas

MCI/Verizon  
5688 W Grand River Avenue  
Lansing, MI 48906  
Attn: Rick Chalmers  
517-318-8064  
rick.chalmers@verizonbusiness.com

Telephone/Fiber Optic

For protection of underground utilities, the Contractor shall call "MISS DIG" toll free at 1-800-482-7171 or call 811 a minimum of three (3) working days prior to excavation within the project limits. The Contractor must also notify utility owners who may not be part of the "MISS DIG" system.

The Contractor shall notify the City of Ann Arbor a minimum of three (3) days prior to beginning construction.

The Owners of public or private utilities which will not interfere with the completed project and which do not present a hazard to the public or an extraordinary hazard to the Contractor's operations will not be required to move their facilities on or from the street right-of-way.

The Contractor shall verify the location and depth of all utilities through Miss Dig and coordinate with the utilities to ensure that all utilities are protected during the project.

Protection of existing utility facilities is necessary during the project. Protection may include: holding utility poles, supporting underground facilities, temporary sheeting, bracing, poles, cables, sand fill or other means to complete the work. The Contractor is responsible for furnishing all labor, equipment and materials required to protect existing facilities during construction. Costs associated with protecting existing utilities will not be paid for separately.

CITY OF ANN ARBOR  
DETAILED SPECIFICATION  
FOR  
**CONSTRUCTION SEQUENCING**

101

1 of 1

2/5/18

This section is intended as an outline of the desired sequence of sewer construction and restoration and does not include the full range of materials and processes needed to complete the work. Stations referenced are found along the centerline of sewer main construction.

1. Sewer Installation Stage 1 - Trenchless Installation - Construct 12" sewer main bore in the location as shown on the drawings. Bore shall be completed so that bypass pumping of the existing sewer main is not needed.

Location of the bore pit shall be as shown on the drawings and installed so as to minimize the disruption to landscaping in the area.

Work to include pit excavation, installation of casing pipe and interior carrier pipe as shown on the drawings and preparation for connection to carrier pipe on either end of the bore.

2. Sewer Installation Stage 2 – Construct sanitary sewer manholes 1 and 2 as shown on the drawings. Sanitary sewer manhole 1 shall be a doghouse-type manhole constructed on the existing 12 inch sewer main.

Sanitary sewer piping between manhole 1 and 2 shall be constructed and tested per standard specifications. No 30 day wait period prior to mandrel testing.

Provision for temporarily handling the sewage from 485 Rock Creek must be maintained during period of time when 12 inch existing sewer is not in service. The lateral connection for 485 Rock Creek is shown on the drawings.

3. Sewer Installation Stage 3 – Construct sanitary sewer manhole 3 as shown on the drawings.

Bypass pumping or other flow diversion shall be performed to provide for suitable construction environment. Bypass pumping plan to be submitted for approval by the City.

Sanitary sewer manhole 3 shall be a standard manhole connected to the existing sanitary sewer and proposed sanitary as indicated in the standard specifications. Sanitary sewer piping between manhole 2 and 3 shall be constructed and tested per standard specifications. No mandrel testing required.

Construction of house service lateral piping to be completed per standard specifications after all testing of proposed sewer main and acceptance by the Owner.

4. Sewer Abandonment and Site Restoration – Existing sewer between manholes 1 and 3 shall be abandoned in place and filled with grout per detailed specification.

Immediately upon completed of abandonment of the sewer, all site restoration shall be completed. Temporary soil erosion control measures shall be left in place until restoration is established.

CITY OF ANN ARBOR  
DETAILED SPECIFICATION  
FOR  
**GENERAL CONDITIONS**

200

1 of 2

02/05/18

**a. Description.** This item shall include all work described and required by the Plans and Specifications at each location for which no item of work is listed in the Bid Form, including but not limited to:

- Scheduling, coordination, and organization of all work, subcontractors, suppliers, testing, inspection, surveying, and staking.
- Coordination of, and cooperation with, other contractors, agencies, departments, and utilities.
- Protection and maintenance of utilities.
- Placing, maintaining, and removing all soil erosion and sedimentation controls, including stone inlets filers (as shown on project plants).
- Maintaining drainage.
- Maintaining driveways drive openings, sidewalks, bike paths, mail deliveries, and solid waste/recycle pick-ups. This includes the placement and maintenance of gravel in driveway openings as directed by the Engineer.
- Storing all materials and equipment off lawn areas.
- Site clean-up.
- Coordination efforts to furnish and operate various-size vehicles/equipment as directed by the Engineer
- Furnishing and operating vacuum-type street cleaning equipment a minimum of once per week or more frequently as directed by the Engineer
- Furnishing and operating vacuum-type utility structure cleaning equipment
- Furnishing and operating both vibratory plate and pneumatic-type (“pogo-stick”) compactors
- Furnishing and operating a backhoe during all work activities
- Furnishing and operating a jackhammer and air compressor during all work activities
- Noise and dust control
- Mobilization(s) and demobilization(s).
- Furnishing submittals and certifications for materials and supplies
- Disposing of excavated materials and debris - The Contractor shall dispose of, at the Contractor’s expense, all excavated material. Costs for this work will not be paid for separately.

- All miscellaneous and incidental items such as overhead, insurance, and permits.
- Meeting all requirements relating to Debarment Certification, Davis Bacon Act, and Disadvantaged Business Enterprise, and providing the necessary documentation.

Data pertaining to existing soil borings and pavement sections, which are included in Appendix A of these Contract Documents, are provided to help the Engineer and Contractor determine the soil conditions existing within the construction area. The City in no way guarantees existing conditions to be the same as shown in the data. The Contractor is solely responsible for any and all conclusions he/she may draw from the data.

Quantities as given are approximate and are estimated for bidding purposes. Quantities are not guaranteed and may vary by any amount. While it is the City's intent to complete the project substantially as drawn and specified herein, quantities may be changed or reduced to zero for cost savings or other reasons. **The City reserves the right to change the quantities, and no adjustment in unit price will be made for any change in any quantity.**

**b. Materials.** None Specified.

**c. Construction.** Not specified.

**d. Measurement and Payment.** The completed work, as described, will be measured and paid for at the contract unit price for the following pay item:

<u>Pay Item</u>	<u>Pay Unit</u>
200 - General Conditions, Max \$30,000 .....	Lump Sum

This item of work will be paid for on a pro rata basis at the time of each progress payment. Measurement will be based on the ratio between work completed during the payment period and the total contract amount. When all of the work of this Contract has been completed, the measurement of this item shall be 1.0 Lump Sum, minus any deductions incurred for inadequate performance as described herein. This amount will not be increased for any reason, including extensions of time, extras, and/or additional work.

The unit price for this item of work shall include all labor, material, and equipment costs to perform all the work specified in the Standard Specifications and as modified by this Detailed Specification.

CITY OF ANN ARBOR  
DETAILED SPECIFICATION  
FOR  
**VACUUM TYPE CLEANING EQUIPMENT**

200A

1 of 1

02/05/18

**a. Description.** This work includes furnishing and operating throughout the construction period, vacuum type street cleaning and utility structure cleaning equipment (Vac-All, Vactor, etc.) approved by the Engineer, as and when directed by the Engineer for dust control, for dirt/debris control, and for street cleaning immediately prior to paving, and for street and utility structure cleaning after any and all paving.

**b. Materials.** None specified.

**c. Construction.** The Contractor shall furnish and operate throughout the construction period, vacuum type street cleaning and utility structure cleaning equipment (Vac-All, Vactor, etc.) approved by the Engineer. When directed by the Engineer, the Contractor shall use this equipment to control dust, dirt, and other debris within the project limits and beyond as required, to clean streets surfaces immediately prior to placing HMA pavement mixtures, and for street and utility structure cleaning after any and all paving. The cleaning equipment shall be of sufficient power to remove dust, dirt, and debris from the pavement and from utility structures in and adjacent to the construction area.

**d. Measurement and Payment.** Costs for this work will not be paid for separately, but shall be included in the Contract pay Item "General Conditions, Maximum, \$\_\_\_".

CITY OF ANN ARBOR  
DETAILED SPECIFICATION  
FOR  
**MATERIAL AND SUPPLIES CERTIFICATIONS**

200B

1 of 1

02/05/18

**a. Description.** This work includes furnishing certifications to the Engineer for review and approval a minimum of three business days prior to any scheduled delivery, installation, and/or construction of same. The following materials and supplies shall be certified by the manufacturer or supplier as having been tested for compliance with the Specifications:

Sands and Aggregates  
Pre-cast Concrete products  
Cast Iron Frames and Castings  
Sewer Main Pipe

**b. Materials.** None specified.

**c. Construction.** Not specified.

**d. Measurement and Payment.** Costs for this work will not be paid for separately, but shall be included in the Contract pay Item "General Conditions, Maximum, \$\_\_\_".



CITY OF ANN ARBOR  
DETAILED SPECIFICATION  
FOR  
**PROJECT SUPERVISION**

201

1 of 4

2/05/18

**a. Description.** The Contractor shall provide supervision in accordance with the City of Ann Arbor Standard Specifications, subsections 104.07 and 107.15 of the Michigan Department of Transportation (MDOT) 2012 Standard Specifications for Construction, and as described herein.

The Contractor shall designate a full-time Project Supervisor to act as the Contractor's agent/representative, and to be responsible for scheduling and coordination of all subcontractors, suppliers, other governmental agencies, and all public and private utility companies.

The Project Supervisor shall not be an active crew member of the Contractor, shall not be an active member or employee of any subcontractor's work force, and shall not perform general or specialized labor tasks. The Project Supervisor shall be a full-time employee of the General Contractor and shall have all needed authority to make binding decisions on behalf of the Contractor in all matters pertaining to performance and execution of the work of the project.

The Project Supervisor shall work exclusively on this project, and shall put forth his/her full effort into the organization and coordination of the work of this project.

One week prior to the pre-construction meeting, the Contractor shall designate a proposed Project Supervisor by name, and shall furnish the Engineer with a current, thorough, detailed summary of the proposed Project Supervisor's work history, outlining all previous supervisory experience on projects of a similar size and nature. The detailed work history shall include personal and professional references (names and phone numbers) of persons (previous owners or agents) who can attest to the qualifications and work history of the proposed Project Supervisor. Proposed candidates for Project Supervisor shall have a demonstrated ability to work harmoniously with the Engineer, the City, the public, subcontractors, and all other parties typically involved with work of this nature. The Engineer will have the authority to reject a proposed Project Supervisor whom he/she considers unqualified.

The Project Supervisor shall be available 24 hours-per-day to provide proper supervision, coordination and scheduling of the project for the duration of the Contract. The Contractor shall furnish the City with telephone numbers of the Project Supervisor in order to provide 24 hour-per-day access during business and non-business hours, including weekends and holidays.

The Project Supervisor shall be equipped by the Contractor with a "smart" mobile telephone with "data" and "text" capabilities to provide the City with 24 hour-per-day access to him/her during daily construction activities, during transit to and from the construction site, and during all non-business hours including weekends and holidays.

The Project Supervisor shall be equipped with assistants as necessary to provide project supervision as specified herein, and in accordance with the Contract.

1. Duties and Responsibilities. The Project Supervisor shall work harmoniously with the Engineer, the City, the public, subcontractors, and all other parties typically involved with work of this nature.

The Project Supervisor shall have a thorough, detailed understanding and working knowledge of all construction practices and methods specified elsewhere herein, as well as the handling, placement, testing and inspection of aggregates, aggregate products, bituminous concrete, Portland cement concrete materials, and other such materials and products related to the work of this project.

The Project Supervisor shall be responsible for all of the work of all of the Contractor's, subcontractors' and suppliers' work forces.

The Project Supervisor shall be responsible for proper and adequate maintenance (emissions, safety, and general operation) of all of the Contractor's, subcontractors' and suppliers' equipment and vehicles. The Project Supervisor shall make all needed diligent and good-faith efforts to ensure that all equipment utilized in the performance of the work is properly maintained, safe, and complies with all legal and environmental requirements of the work as set forth in section 107.15 of the MDOT 2012 Standard Specifications for Construction.

The Project Supervisor shall be responsible for the legal, proper and safe parking/storage of all of the Contractor's, subcontractors' and suppliers' equipment, work vehicles, and employee's vehicles.

The Project Supervisor shall schedule and coordinate the work of all parties involved in the project, including utility companies, testing agencies, governmental agencies, all City departments (such as Utilities and Transportation), and City inspectors.

The Project Supervisor shall coordinate and schedule the work of any independent survey crews that may be retained by the Engineer or City to witness and reset existing and new geographic/benchmark monuments. Failure to have existing monuments witnessed and reset may result in delays to the Contractor's work. Costs for such delays will be the Contractor's sole responsibility. The Project Supervisor shall also schedule and complete all needed survey request forms that are needed in order to schedule the services of survey personnel to properly layout all elements of the project work in accordance with the City of Ann Arbor Public Services Area Standard Specifications and the MDOT 2012 Standard Specifications for Construction.

The Project Supervisor shall coordinate and schedule inspection performed by the City and Consultants (including material testing firms) in a timely manner, to assure proper and timely testing and inspection of the work.

The Project Supervisor shall submit to the Engineer, an updated, detailed schedule of the proposed work on a weekly basis, and an update of all proposed changes on a daily basis.

The Project Supervisor and all subcontractors shall attend a weekly progress meeting chaired by the Engineer to discuss the work. Upon the completion of each meeting, the Engineer shall prepare and distribute, to all present, a written summary of the meeting's

minutes. Those in attendance shall review the minutes and, if necessary, comment on any deficiencies or errors prior to or at the next scheduled progress meeting.

2. Additional Performance Requirements. If, in the sole opinion of the Engineer, the Project Supervisor is not adequately performing the duties as outlined in this Special Provision, the following system of notices will be given to the contractor with the associated penalties:

First Notice – A warning will be issued in writing to the Contractor detailing the deficiencies in the Project Supervision. The Contractor must respond within 7 calendar days in writing with a plan to correct the stated deficiencies. Failure to respond within 7 calendar days will result in the issuing of a second notice.

Second Notice – A second warning will be issued in writing to the contractor further detailing the deficiencies in the Project Supervision. A deduction of 10%, or \$10,000, whichever is greater, will be made from the original Project Supervision contract amount. The Contractor must respond within 7 calendar days in writing with a plan to correct the stated deficiencies. Failure to respond within 7 calendar days will result in the issuing of a third notice. At this time, the Engineer reserves the right to meet with personnel with the necessary authority within the Contractor's organization to discuss the deficiencies in the Project Supervision.

Third Notice – A third notice will be issued in writing to the Contractor further detailing the deficiencies in the Project Supervision. An additional deduction of 25%, or \$25,000, whichever is greater, will be made from the original Project Supervision contract amount, and the Project Supervisor shall be removed from the project, and replaced immediately with another individual to be approved by the Engineer.

Should, in the sole opinion of the Engineer, the Project Supervisor fail to perform his/her duties and responsibilities as described herein to such a degree that the successful completion of the project is put in jeopardy, the above system of notices may be foregone, and the Contractor shall immediately replace the Project Supervisor upon receipt of written notice. Failure to provide adequate project supervision, as determined by the Engineer, shall be considered basis for the Engineer to suspend work without extension of contract time or additional compensation.

If the original Project Supervision contract amount is insufficient to cover said deductions, the Project Supervision contract amount will be reduced to zero and a contract modification will be written to assess a penalty to cover the difference between the Project Supervision contract amount and the total amount of the deduction(s). It is fully expected however that the Project Supervision contract amount will be sufficient to cover any deductions.

**b. Materials.** None Specified.

**c. Construction.** Not specified.

**d. Measurement and Payment.** The completed work, as described, will be measured and paid for at the contract unit price for the following pay item:

<u>Pay Item</u>	<u>Pay Unit</u>
201 - Project Supervision, Max \$5,000 .....	Lump Sum

The unit price for this item of work shall include all labor, material, and equipment costs to perform all the work specified in the Standard Specifications, and as modified by this Detailed Specification.

Payment for this work will be made with each progress payment, on a pro rata basis, based on the percentage of construction completed. When all of the work of this Contract has been completed, the measurement of this item shall be 1.0 times the Lump Sum bid amount, minus any deductions incurred for inadequate performance as described herein. This amount will not be increased for any reason, including extensions of time, extras, adjustments and/or additional work.

CITY OF ANN ARBOR  
DETAILED SPECIFICATION  
FOR  
**PROJECT SCHEDULE**

201A

1 of 2

6/04/18

The entire work under this Contract shall be completed in accordance with, and subject to, the scheduling requirements as outlined below, and all other requirements of the Contract Documents.

The Contractor is expected to be furnished with two (2) copies of the Contract, for its execution, on or before **August 7, 2018**. The Contractor shall properly execute both copies of the Contract and return them, with the required Bonds and Insurance documentation, to the City by **September 7, 2018**. The Contractor shall not begin the work before the applicable date(s) as described herein without approval from the Project Engineer, and in no case before the receipt of the fully executed Contract and Notice to Proceed.

By no later than **September 19, 2018** the Contractor shall submit a detailed schedule of work (progress schedule) for the Engineer's review and approval. The progress schedule must fully comply with the scheduling requirements contained in this Detailed Specification. Work shall not start until the progress schedule is approved in writing by the Engineer. The Contractor shall update the approved progress schedule each week, and present it to the Engineer at the weekly progress meeting.

The Contractor shall begin the work of this project on or before **September 19, 2018**, and only upon receipt of the fully executed Contract and Notice to Proceed. Appropriate time extensions shall be granted if the Notice to Proceed is delayed beyond this date.

All contract work must be complete by **November 2, 2018**. Project completion includes, but not limited to: install and test the new sewer main pipe, connect to the existing mains and laterals, the restoration of all disturbed areas, removal of temporary soil erosion control items, landscaping, surface restoration and the removal of any and all traffic control devices.

Failure to complete all work as specified, within the times specified, including time extensions granted thereto as determined by the Engineer, shall entitle the City to deduct from the payments due the Contractor **\$1,000.00** in "Liquidated Damages", and not as a penalty, for each and every calendar day the work remains incomplete beyond the date specified.

Time is of the essence in the performance of the work of this contract. The Contractor is expected to mobilize sufficient personnel and equipment and work throughout all authorized hours to complete the project by the final completion date. Should the Contractor demonstrate that they

must work on some Sundays in order to maintain the project schedule, they may do so between the hours of 9:00 a.m. and 5:00 p.m. with prior approval from the City. There will be no additional compensation due to the Contractor for work performed on Sundays.

The Engineer may delay or stop the work due to threatening weather conditions. The Contractor shall not be compensated for unused materials or downtime due to rain, or the threat of rain. The Contractor is solely responsible for repairing all damages to the work and to the site, including road infrastructures, road subgrades, and any adjacent properties, which are caused as a result of working in the rain.

The Contractor shall not work in the dark except to make specific water main shut downs for connections, final paving, or as approved by the Engineer and only when lighting for night work is provided as detailed elsewhere in this contract. The Engineer may stop the work, or may require the Contractor to defer certain work to another day, if, in the Engineer's opinion, the work cannot be completed within the remaining daylight hours, or if inadequate daylight is present to either properly perform or inspect the work. The Contractor will not be compensated for unused materials or downtime, when delays or work stoppages are directed by the Engineer for darkness and/or inadequate remaining daylight reasons. The Contractor is solely responsible for repairing all damages to the work and to the site, including road infrastructures, road subgrades, and any adjacent properties, which are caused as a result of working in the dark.

Liquidated Damages will be assessed until the required work is completed in the current construction season. If, with the Engineer's approval, work is extended beyond seasonal limitations, the assessment of Liquidated Damages will be discontinued until the work is resumed in the following construction season.

If the construction contract is not completed within the specified period(s) including any extensions of time granted thereto, at the sole discretion of the City of Ann Arbor, this Contract may be terminated with no additional compensation due to the Contractor, and the Contractor may be forbidden to bid on future City of Ann Arbor projects for a period of at least three (3) years. If the Engineer elects to terminate the Contract, contract items paid for on a Lump Sum basis shall be paid up to a maximum percentage equal to the percentage of the contract work that has been completed.

Costs for the Contractor to organize, coordinate, and schedule all of the project work will not be paid for separately, but shall be included in the bid price of the Contract Item "General Conditions, Modified, Maximum, \$\_"

CITY OF ANN ARBOR  
DETAILED SPECIFICATION  
FOR  
**AUDIO-VISUAL RECORDING**

202

1 of 3

02/05/18

**a. Description.** This work shall include providing a recording of the physical, structural, and aesthetic conditions of the construction site, adjacent areas and interior of select buildings as provided herein.

The audio-visual recording shall be:

1. Of professional quality, providing a clear and accurate audio and visual record of existing conditions.
2. Prepared during the period prior to bringing any materials or equipment within the areas described in this special provision.
3. Carried-out under the supervision of the Engineer.

The Contractor shall furnish two (2) copies of the completed recording to the Engineer at the preconstruction meeting, or five (5) business days prior to commencing with construction. An index of the recording, which will enable any area of the project to be easily found on the recording, shall be included. The Contractor shall retain a third copy of the recording for its own use.

Any portion of the recording determined by the Engineer to be unacceptable for the documentation of existing conditions shall be recorded again, at the Contractor's sole expense, and submitted to the Engineer prior to mobilizing onto the site.

**b. Materials.** The audio-visual recording shall be provided using digital video disk (DVD) media, or other media approved by the Engineer.

**c. Construction.** Complete audio-visual recording work in accordance with the requirements shown below.

1. Production:
  - A. DVD Format / No Editing. The audio-visual recording shall be performed using equipment that allows audio and visual information to be recorded simultaneously and in color. The recording shall be provided on compact discs in DVD format. The quality of the recording shall be equal to or better than the standard in the industry. The recording shall not be edited.
  - B. Perspective / Speed / Pan / Zoom. To ensure proper perspective, the distance from the ground to the camera lens shall not be less than 12 feet and the recording must proceed in the general direction of travel at a speed not to exceed 48 feet per minute (0.55 miles per hour). Pan and zoom rates shall be controlled sufficiently so that playback will ensure quality of the object viewed.

CITY OF ANN ARBOR  
DETAILED SPECIFICATION  
FOR  
**AUDIO-VISUAL RECORDING**

202

1 of 3

02/05/18

C. Display. The recording equipment shall have transparent time, date stamp and digital annotation capabilities. The final copies of the recording shall continuously and simultaneously display the time (hours:minutes:seconds) and the date (month/date/year) in the upper left-hand corner of the frame. Accurate project stationing shall be included in the lower half of the frame in standard station format (i.e. 1+00). Below the stationing periodic information is to be shown, including project name, name of area shown, direction of travel, viewing direction, etc.

D. On streets or in areas where there is no project stationing, assumed stationing shall be used, starting with 0+00 and progressing from west to east or from north to south.

E. Audio Commentary / Visual Features. Locations relative to project limits and landmarks must be identified by both audio and video means at intervals no longer than 100 feet along the recording route. Additional audio commentary shall be provided as necessary during the recording to describe streets, buildings, landmarks, and other details, which will enhance the record of existing conditions.

F. Visibility / Ground Cover. The recording shall be performed during a time of good visibility. The recording shall not be performed during periods of precipitation or when snow, leaves, or other natural debris obstruct the area being recorded.

2. Coverage. The audio-visual recording coverage shall include the following:

A. General Criteria. These general criteria shall apply to all recording and shall include all areas where construction activities will take place or where construction vehicles or equipment will be operated or parked and/or where materials will be stored or through which they will be transported. The recording shall extend an additional 50 feet outside of all areas. The recording shall include all significant, existing man-made and natural features such as driveways, sidewalks, utility covers, utility markers, utility poles, other utility features, traffic signal structures and features, public signs, private signs, fences, landscaping, trees, shrubs, other vegetation, and other similar or significant features.

B. Private Property. Record all private property that may be utilized by the Contractor in conjunction with this project. These project areas must be disclosed by the Contractor prior to using them for the work of this project.

C. Private Property Bordering the Project Limits or Work Areas. Record all areas bordering the project where work is scheduled to occur or where construction traffic could damage the private property. This is to include buildings, driveways, decks, landscaping, trees, and all other similar features.



D. Building Interior. The Contractor shall perform a full video inspection of the interior foundation and walls of 485 Rock Creek Drive in order to preserve a record of the condition of the building prior to excavation.

E. Other Areas. The Contractor shall record at his sole expense other areas where, in his/her opinion, the establishment of a record of existing conditions is warranted. The Contractor shall notify the Engineer in writing of such areas.

The Engineer may direct the recording of other minor areas not specified above at the Contractor's sole expense.

3. Audio-Visual Recording Services. The following companies are known to be capable of providing the recording services required by this special provision and shall be utilized, unless the Contractor receives prior written approval from the Engineer to utilize another company of comparable or superior qualifications.

- Construction Video Media
- Midwest Company
- Topo Video, Inc.
- Video Media Corp.
- Paradigm 2000, Inc.
- Finishing Touch Photo and Video

c. **Measurement and Payment.** The completed work, as described, will be measured and paid for at the contract unit price for the following pay item:

<u>Pay Item</u>	<u>Pay Unit</u>
202 - Audio-visual Recording .....	Lump Sum

**Audio-visual Recording** shall include all labor, equipment, and materials required to perform the recording and to provide the finished recording the Engineer.

Payment will be made for **Audio-visual Recording** following the review and acceptance of the recording by the Engineer. Within twenty-one (21) days following the receipt of the recording, the Engineer will either accept it and authorize payment or require that any discrepancies in the recording be addressed prior to making payment.

CITY OF ANN ARBOR  
 DETAILED SPECIFICATION  
 FOR  
**MINOR TRAFFIC CONTROL**

203

1 of 2

02/05/18

**a. Description.** This work shall consist of protecting and maintaining vehicular and pedestrian traffic, in accordance with the City of Ann Arbor Standard Specifications for Construction sections 104.11 and 812 of the Michigan Department of Transportation (MDOT) 2012 Standard Specifications for Construction; Part 6 of the 2011 Edition of the Michigan Manual of Uniform Traffic Control Devices (MMUTCD); and, except as modified herein.

The work shall include, but is not limited to the following:

- The furnishing and operating of miscellaneous signs, warning devices, flags, and cones;
- The operation of additional signs furnished by the City;
- Any and all other miscellaneous and/or incidental items which are necessary to properly perform the work.

**b. Materials.** Materials and equipment shall meet the requirements specified in section 812 of the MDOT 2012 Standard Specifications for Construction.

**c. Construction.** The Contractor shall maintain vehicular and pedestrian traffic during the work by the use of traffic regulators, channelizing devices and signs as necessary, as directed by the Engineer, and in accordance with 2011 Edition of the MMUTCD.

All temporary traffic/pedestrian control devices furnished by the Contractor shall remain the property of the Contractor. The City shall not be responsible for stolen or damaged signs, barricades, barricade lights or other traffic maintenance items. The Contractor shall replace missing traffic control devices immediately, at no additional cost to the Contract or City. All existing signs, and signs erected by the City of Ann Arbor on this project shall be preserved, protected, and maintained by the Contractor. The City will repair any existing City owned signs, at the Contractor's expense, which are damaged by the Contractor during the work.

**d. Measurement and Payment.** The completed work, as described, will be measured and paid for at the contract unit price for the following pay item:

<u>Pay Item</u>	<u>Pay Unit</u>
203 - Minor Traffic Control, Max \$2,500.....	Lump Sum

The unit price for this item of work shall include all labor, material, and equipment costs to perform all the work described by this Detailed Specification.

Costs for transporting barricades and other temporary traffic control devices shall be included in the bid prices for the individual items of work.

This item will be paid for on a pro rata basis with each progress payment. Measurement will be based on the ratio between work completed during the payment period and the total contract

amount. When all of the work of this Contract has been completed, the measurement of this item shall be 1.0 Lump Sum minus any deductions incurred for inadequate performance as described herein. This amount will not be increased for any reason, including extensions of time, extras, and/or additional work.

CITY OF ANN ARBOR  
 SPECIAL PROVISION  
 FOR  
**SOIL EROSION AND SEDIMENTATION CONTROL**

204-5

1 of 1

02/05/18

**a. Description.** This work consists of installing and maintaining inlet filters and silt fencing, as shown on the plans, in accordance with Section 208 of the Michigan Department of Transportation (MDOT) 2012 Standard Specifications for Construction and. Filters shall be installed in existing and proposed inlets in order to minimize the erosion of soil and the sedimentation of water courses. Silt fencing shall be installed on the downstream side of any exposed area with runoff potential to undisturbed areas. The related work includes the installation, maintenance and removal of the filter cloth or silt fencing, cleaning as required during the performance of the project work, removing and disposing of accumulated sediment, and replacement of filters or fencing if required by the Engineer so as to provide properly products and a well-drained site.

**b. Materials.** The inlet filters shall be in accordance with the REGULAR FLOW SILTSACK® manufactured by ACF Environmental (800) 448-3636; FLEXSTORM® Style FX manufactured by Advanced Drainage Systems, Inc. (800) 821-6710; CATCH-ALL® manufactured by Price & Company (866) 960-4300, or Engineer approved equal.

The Contractor shall submit product data sheets and a sample of the filter material for inlet filters for Engineer approval prior to ordering materials.

**c. Methods of Construction.** The Contractor shall install, maintain, clean, and re-install and/or replace inlet filters and silt fencing in accordance with the manufacturer’s specifications and as directed by the Engineer. The Contractor shall dispose of debris off-site.

**d. Measurement and Payment.** The completed work, as described, will be measured and paid for at the contract unit price for the following pay item:

<u>Pay Item</u>	<u>Pay Unit</u>
204 - Erosion Control, Inlet Filter .....	Each
205 - Erosion Control, Silt Fence .....	Feet

Erosion Control, Inlet Filter will be measured by the unit installed and will be paid for at the contract unit price per each, for which price shall be payment in full for all labor, equipment, and materials needed to furnish, install, maintain, clean and remove the inlet filter, and re-install and/or replace the inlet filter as needed.

Erosion Control, Silt Fence will be measured by the feet installed and will be paid for at the contract unit price for linear feet of fence installed, for which price shall be payment in full for all labor, equipment, and materials needed to furnish, install, maintain, clean and remove the silt fence, and re-install and/or replace the silt fence as needed.

CITY OF ANN ARBOR  
SPECIAL PROVISION  
FOR  
**SANITARY SEWER**

206-11

1 of 21

06/04/18

**a. Description.** This work includes installing sanitary sewer, manholes and related items. The Contractor shall furnish all materials, equipment, tools, and labor necessary to perform the work required by this special provision and shall unload, haul, distribute, store, and install all pipe, fittings, castings, manholes, and accessories.

The Contractor shall excavate all trenches and pits to the required dimensions; excavate the bell holes; sheet, brace, and properly support the adjoining ground or structures where necessary to comply with MIOSHA and other relevant safety standards; properly handle and remove all drainage or ground water so that the work can be completed in accordance with the specifications; install and test the pipe, fittings, castings, manholes, and accessories; backfill and compact all fill materials within trenches and pits; and remove and properly dispose of surplus or unsuitable excavated material off-site.

The MDEQ permit required to perform the sanitary sewer work shown on the plans is included in the proposal.

**b. Materials.** Materials shall conform to the Michigan Department of Transportation 2012 Standard Specifications for Construction, Sections:

Concrete, Grade S2.....	701
Mortar, Type R-1 .....	702
Granular Material, Class II .....	902
Coarse Aggregate, 6A .....	902
Steel Reinforcement .....	905
Castings .....	908
Miscellaneous Metal Products .....	908
Geosynthetics.....	910
Masonry Units.....	913

Coarse Aggregate, 6A shall be crushed limestone. Concrete, Grade X shall consist of Portland cement, coarse and fine aggregates, and water, proportioned with 282 lbs. cement (3 sacks) per cubic yard to produce a minimum 28 day compressive strength of 1000 psi.

Polyvinyl Chloride Pipe and Fittings:

Polyvinyl chloride (PVC) pipe shall have an integral wall bell and spigot. PVC pipe shall conform to the material and testing requirements of ASTM D 3034-83. Minimum wall thickness shall be SDR 35.

CITY OF ANN ARBOR  
SPECIAL PROVISION  
FOR  
**SANITARY SEWER**

206-11

2 of 21

06/04/18

**Joints:**

Joints for PVC pipe shall be elastomeric gasketed push-on joints conforming to the requirements of ASTM D 3212-81. Lubricant used in making up joints shall be supplied by the pipe manufacturer and the joints shall be coupled in accordance with the manufacturer's requirements.

**Pipe Marking:**

The following information shall be clearly marked on each length of pipe at intervals of five feet or less:

- a) Manufacturer's name or trademark and code.
- b) Nominal pipe size.
- c) The PVC cell classification (e.g. "12454-B").
- d) The legend "Type PSM SDR-35 PVC Sewer Pipe".
- e) The designation "Specification D 3034".

The following information shall be clearly marked on each fitting:

- a) Manufacturer's name or trademark and code.
- b) Manufacturer's name or trademark.
- c) Nominal size.
- d) The material designation "PVC".
- e) "PSM"
- f) The designation "Specification D 3034".

**Manufacturer's Certification:**

All pipe furnished shall be accompanied by the manufacturer's certificate of test showing conformity with the Specifications. Each certificate shall identify a specific lot number, quantity of pipe, and show actual test results for the lot furnished. These certificates shall be submitted to the Inspector at the time of unloading.

**Inspection:**

All pipe furnished shall be subject to inspection on arrival at the job site by the Engineer. The purpose of the inspection shall be to cull and reject pipe or fittings that, independent of physical tests specified under the standard specifications designated herein, fail to conform to the requirements of these Specifications.

CITY OF ANN ARBOR  
SPECIAL PROVISION  
FOR  
**SANITARY SEWER**

206-11

3 of 21

06/04/18

The Contractor shall notify the Engineer sufficiently in advance so that an Inspector may be on the job during the unloading of materials. A minimum notice of 24 hours is required for such unloading and inspection.

Pipe shall be subject to rejection on account of any of the following:

- a) Variation in any dimension exceeding the permissible variations given in the material specifications. Pipe in all cases shall be full diameter.
- b) Fractures or cracks passing through the barrel or socket.
- c) Chips or fractures on the interior of the pipe exceeding two inches in length, one inch in width, or depth more than 1/4 of the thickness of the wall.
- d) Blisters that are either broken, exceed three inches in diameter, or project more than 1/8-inch above the surrounding surface of the pipe.
- e) Variation of more than 1/16-inch per lineal foot in alignment of pipe intended to be straight.

Rejected pipe shall be plainly marked by the Inspector and immediately removed from the site of the work by the Contractor, without cost to the City.

Sewer Service Leads and Fittings:

Allowable pipe materials are; SDR 35 polyvinyl chloride (PVC) plastic conforming to the material and testing requirements of ASTM D 3034; and vitrified clay pipe conforming to the material and testing requirements of ASTM C 700.

Whenever adapters are required to properly connect the pipe with pipe of other material or manufacturer, the nominal I.D. of adapters shall be manufactured for that specific purpose and shall be the same size as the nominal diameter of pipe connected thereto. Adapters shall also be furnished and used as required by the manufacturer. The adaptor at this tapped connection shall be made using either a flexible neoprene rubber boot with shear ring, or approved equal.

Joints:

Joints for SDR 35 PVC pipe shall be bell and spigot rubber o-ring gasket joints conforming to the requirements of ASTM D-3212. Lubricant supplied by the pipe manufacturer shall be used, and the joints shall be coupled in accordance with the manufacturer's requirements.

CITY OF ANN ARBOR  
SPECIAL PROVISION  
FOR  
**SANITARY SEWER**

206-11

4 of 21

06/04/18

Pipe Marking:

The following information shall be clearly marked on each length of pipe:

- a) The pipe designation and class (e.g., SDR 35, ASTM D 3034).
- b) The name or trademark of the manufacturer.
- c) Identification of the manufacturing plant.
- d) Testing lot number.

Manufacturer's Certification:

All pipe furnished shall be accompanied by the manufacturer's certificate of test showing conformity with the Specifications. Each certificate shall identify a specific lot number, quantity of pipe, and show actual test results for the lot furnished. These certificates shall be submitted to the Inspector at the time of unloading.

Inspection:

All pipe furnished shall be subject to inspection on arrival at the job site by the Engineer. The purpose of the inspection shall be to cull and reject pipe or fittings that, independent of physical tests specified under the standard specifications designated herein, fail to conform to the requirements of these Specifications.

The Contractor shall notify the Engineer sufficiently in advance so that an Inspector may be on the job during the unloading of materials. A minimum notice of 24 hours is required for such unloading and inspection.

Pipe for sewer service leads shall be subject to rejection on account of any of the following:

- a) Variation in any dimension exceeding the permissible variations given in the material specifications. Pipe in all cases shall be full diameter.
- b) Fractures or cracks passing through the barrel or socket.
- c) Chips or fractures on the interior of the pipe exceeding two inches in length, one inch in width, or depth more than 1/4 of the thickness of the wall.
- d) Blisters that are either broken, exceed three inches in diameter, or project more than 1/8-inch above the surrounding surface of the pipe.
- e) Variation of more than 1/16-inch per lineal foot in alignment of pipe intended to be straight.



CITY OF ANN ARBOR  
SPECIAL PROVISION  
FOR  
**SANITARY SEWER**

206-11

5 of 21

06/04/18

Rejected pipe shall be plainly marked by the Inspector and immediately removed from the site of the work by the Contractor, without cost to the City.

**Manholes:**

All sanitary sewer manholes shall be constructed of precast reinforced concrete sections. Precast drainage structures shall be designed to accommodate HL-93 Modified Live Load requirements as determined by a Professional Engineer licensed by the State of Michigan, regardless of where they are to be installed. For the purposes of design, a HL-93 Modified Live Load shall consist of 1.2 times the design truck or 1.2 times a single 60 kip load, whichever produces the greater stresses.

Precast reinforced concrete bases, bottom sections, manhole risers, grade adjustment rings, concentric cones, eccentric cones, and flat top slabs shall conform to the requirements of ASTM C 478. Joints on precast manholes used on all sanitary sewers shall meet ASTM C 443, rubber O-ring gasket.

Concrete brick shall conform to the requirements for concrete building brick, ASTM C 55, Grade N-1.

Cast iron frames and covers for manholes shall conform to the requirements for grey iron castings, ASTM A 48, Class No. 30. Specific, approved castings are listed in the Special Provision for "Dr Structure Covers."

Plastic coated manhole steps shall be injection molded of copolymer, polypropylene, encapsulating a 1/2 inch grade 60 steel reinforcing bar. Plastic-coated manhole steps shall meet the performance test described in ASTM C-478, Paragraph II, and shall have an impact resistance of 300 ft.-lbs., with only minor deflection and no cracking or breaking.

The steps shall resist pull out forces of 1500 lbs.

**Manhole Connections:**

Sewer pipe to precast manhole connections shall be through: 1) a flexible neoprene rubber boot which shall be securely clamped into a core-drilled pipe port. Pipe ports shall be core-drilled at the point of manhole manufacture and shall be accurately located within 1/2-inch of proposed sewer centerline; or, 2) a self-adjusting mechanical pipe to manhole seal which provides a resilient, flexible, and infiltration-proof joint; or, 3) a flexible rubber wedge firmly rammed into a rubber gasket which is cast into the manhole as approved in writing by the Engineer.

CITY OF ANN ARBOR  
SPECIAL PROVISION  
FOR  
**SANITARY SEWER**

206-11

6 of 21

06/04/18

Neoprene rubber for manhole boots shall meet the requirements of ASTM C 443 and shall have a minimum thickness of 3/8-inch. Pipe clamp bands shall be of corrosion-resistant steel.

**c. Construction.**

**Material Handling:**

Pipe, fittings and accessories shall be loaded and unloaded by lifting with hoists or skidding so as to avoid shock or damage. Under no circumstances shall such material be dropped. Pipe handled on skidways shall not be skidded or rolled against pipe already on the ground.

In distributing the material at the site of the work, each piece shall be stored off of the ground surface by means of skids or bunks, and stacked neatly. Pipe may be "strung-out" for only the length which, in the opinion of the Engineer, will be installed within 24 hours, if maintained such that the pipe interior will remain free of dirt, mud, and debris.

**Excavation:**

The Contractor shall dig-up and expose all utility crossings prior to laying any sanitary sewer pipe or lead. This will allow the Engineer to adjust the grade of the sanitary sewer or lead, if possible, to avoid the existing utilities. The costs of the dig-ups, and related costs, shall be included in the unit price of the sanitary sewer or lead. The Engineer may require that some dig-ups be performed out-of the staging area where the sewer work is taking place in order to aid in alignment decisions. Any required traffic control measures shall be included in the costs of "Minor Traf Control".

Excavation shall include the removal and disposal of all materials of every kind, including rock, boulders, or buried obstructions necessary to be removed in the construction work.

The Contractor shall proceed with caution in the excavation and preparation of the trench so that the exact location of underground structures, both known and unknown, may be determined, and the Contractor shall be held responsible for the repair of such structures when broken or otherwise damaged.

Excavation normally shall be by open cut from the surface, except as otherwise specified, or in special cases where crossing under trees, pavements, or structures. The Contractor may use tunnel methods if permitted in writing by the Engineer, provided his method of backfill is such, in the judgment of the Engineer, as to avoid any present or future injury to the tree, pavement, or structure. All excavation shall be performed in such a manner as to

CITY OF ANN ARBOR  
SPECIAL PROVISION  
FOR  
**SANITARY SEWER**

206-11

7 of 21

06/04/18

provide adequate room for the construction and installation of the work to the lines, grades and dimensions shown on the Plans.

The trench shall be excavated to a minimum of four inches below the final location of the pipe. This cut shall be filled to the level of the bottom quadrant of the pipe with Coarse Aggregate, 6A as specified herein, shaped and compacted to the pipe barrel.

Bell holes shall be provided in the trench bottom at each joint to permit the joints to be made properly.

Whenever, in the opinion of the Engineer, it is necessary to explore and excavate to determine the location of existing underground structures, the Contractor shall make explorations and excavations for such purposes. These excavations will not be paid for separately, but shall be included in the cost of the item of work being performed. Any backfilling that may be required to be performed as a result of an exploratory excavation that is not part of the backfill associated with the work being undertaken, shall be included in the item of work being performed, with the exception of final trench restoration, which shall be paid for separately using appropriate items of work contained within the contract documents.

All excavated material approved by the Engineer as backfill material and imported backfill material shall be piled in a manner that will not endanger the work and that will avoid obstructing sidewalks and driveways or clear vision areas along roadways, driveways, or parking areas. All excavated material which is unsuitable for backfill shall be immediately removed from the site by the Contractor. Hydrants under pressure, manholes of any kind, valve boxes, curb stop boxes, fire and police call boxes, and other utility controls shall be left unobstructed and accessible until the work is completed. Gutters shall be kept clear, or other satisfactory provisions made, for proper drainage. Natural and man-made water courses shall not be obstructed. Disposal of excavated material, if required, shall be the Contractor's responsibility.

Hand methods for excavation shall be employed in locations shown on the Plans. In other locations the Contractor may use trench-digging machinery or employ hand methods.

**Trench Opening:**

The width of the trench shall be ample to permit the pipe to be laid and jointed properly, and the backfill to be placed and compacted as specified. Trenches shall be of such extra width, when required, to permit the convenient placing of timber supports, sheeting and bracing, and handling of special fittings. For each size of pipe, the minimum trench width shall provide clearance of four inches on each side of the bell of the pipe or fitting or six inches on each side of the pipe barrel, whichever is greater. The maximum trench width

CITY OF ANN ARBOR  
SPECIAL PROVISION  
FOR  
**SANITARY SEWER**

206-11

8 of 21

06/04/18

shall be in keeping with good construction practice, such that existing structures are not undermined.

In excavating for pipe lines, the excavation shall at all times be finished to the required grade in advance of the pipe line, but unless otherwise permitted in writing by the Engineer, not more than 50 feet of trench shall be open at one time in advance of the pipe. At no time shall more than 200 feet of trench be opened and incompletely backfilled. At the end of each day, no more than 25 feet of trench may be left open, and access to all drives shall be restored. This opening shall be surrounded by fencing and lighted barricades, or plated. The remainder of the trenching operation shall be available for safe vehicular and pedestrian traffic at all times.

The trench shall be so braced and drained that the workers may work therein safely and efficiently. It is essential that the discharge of the trench dewatering pumps be conducted to natural drainage channels, drains, or storm sewers. If trench water is pumped to natural drainage channels or drains, approved soil erosion and sedimentation controls shall be installed and maintained at the point of discharge. If trench water is pumped into storm sewers, filters shall be provided to prevent the flow of rocks, mud and other debris into the storm sewer line.

The Contractor shall fully comply with all laws and regulations governing construction methods and the furnishing and use of all safeguards, safety devices, protective equipment, and pollution controls. Particular care shall be taken to conform to all applicable rules of the Michigan Department of Labor, Construction Safety Standards Commission, "Safety Standards". Part 9 of the above document should be particularly noted.

Where required to support the surfaces of adjacent thoroughfares, structures, or excavations, or to protect the construction work, adjacent work, or workmen; sheeting, bracing, and shoring shall be provided. The placing of such supports shall not release the Contractor of the responsibility for the sufficiency and integrity of the trench opening. In the removing of sheeting and bracing after the construction has been completed, special care shall be taken to prevent any caving of the sides of the excavation and injury to the completed work or to adjacent property.

Sheeting, bracing, and shoring shall not be left in place after completion of the work except as required by the Engineer. Where the Engineer requires the sheeting, bracing, or shoring to be left in place it shall be cut off below the established surface grade as required by the Engineer.

CITY OF ANN ARBOR  
SPECIAL PROVISION  
FOR  
**SANITARY SEWER**

206-11

9 of 21

06/04/18

Disposal of Water and Sewage:

The Contractor shall remove by well points, pumping, bailing, or other acceptable method any water which may accumulate or be found in the trenches or other excavations to be made. The Contractor shall take all necessary precautions to keep the trenches and other excavations entirely clear of water and sewage during construction of pipe lines and structures. Newly placed concrete shall be adequately protected from injury resulting from ground water or sewage. No drainage ditches shall be placed within the area to be occupied by any structure except as permitted in writing by the Engineer.

The Contractor shall at all times have upon the work sufficient pumping equipment ready for immediate use to carry out the intent of this section.

Where existing sewers, drains, or ditches are encountered in this work, adequate provisions shall be made for diverting their flow, so that the excavation will be kept dry. Upon completion of the construction work, the existing sewers, drains, or ditches shall be restored as directed by the Engineer.

Crossing Existing Structures & Facilities:

During the construction it may be necessary to cross under or over certain sewers, service leads, drains, culverts, water lines, gas lines, electric lines, and other underground structures or facilities, known or unknown. The Contractor shall make every effort to prevent damage to such underground structures and facilities. The Contractor shall not intentionally "dig through" existing facilities with the intention of replacing or repairing them after the proposed work is completed. Wherever such structures or facilities are disturbed or broken, they shall be restored to a condition equal to, or better than, the condition that existed prior the work being performed. All repairs shall acceptable to the owner and the City and shall be at the Contractor's sole expense. These crossings shall be made with a minimum of twelve inches of vertical clearance between facilities.

Laying Pipe:

Each pipe shall be inspected for defects prior to being lowered into the trench. The inside of each pipe and outside of each spigot shall be cleaned of any earth or foreign matter.

Proper implements, tools, and facilities satisfactory to the Engineer shall be provided and used by the Contractor for the safe and convenient prosecution of the work. All pipe and fittings shall be carefully lowered into the trench piece by piece by means of a derrick, ropes, or other suitable tools or equipment as recommended by the manufacturer, in such a manner as to prevent damage to them and their protective coatings and linings. Under no circumstances shall materials be dropped or dumped into the trench.

CITY OF ANN ARBOR  
SPECIAL PROVISION  
FOR  
**SANITARY SEWER**

206-11

10 of 21

06/04/18

New sewer construction shall be plugged at the outlet, so as to not be connected into the existing system until it has been tested and accepted. Construction of sewers shall begin at the outlet end and proceed upgrade, unless otherwise directed by the plans or the Engineer. Pipe shall be laid on the prepared subgrade with the bell ends facing the direction of laying, unless otherwise directed by the Engineer.

The Contractor shall take every precaution to prevent foreign material from entering the pipe while it is being placed in the line. During laying operations, no debris, tools, clothing or other materials shall be placed in the pipe. At times when pipe laying is not in progress, the open ends of pipe shall be closed by a watertight plug. This provision shall apply during the break period as well as overnight. If water is in the trench, the seal shall remain in place until the trench is pumped completely dry.

Pipe shall be jointed as specified elsewhere herein. The pipe shall be secured in place with approved backfill material tamped under it except at the bells. Pipe and fittings which do not allow a sufficient and uniform space for joints shall be removed and replaced with pipe and fittings of proper dimensions to insure such uniform space. Precautions shall be taken to prevent dirt from entering the joint space.

All pipe shall be laid at the correct line and grade as indicated by the grade stakes and offset line. The correct line and grade shall be maintained by the use of a laser alignment system. The staking shall be provided by the Engineer. No pipe shall be laid until a cut sheet for that pipe has been approved by the Engineer. Each pipe, as laid, shall be checked by the Contractor to insure that this result is obtained. The grade as shown on the Plans is that of the pipe invert for sewers; the work must conform to this profile. A variation of 1/4 inch from this profile grade will be deemed sufficient reason to cause the work to be rejected and re-laid. Sewer pipe alignment shall be maintained so as to not vary more than one-half inch from the correct line on pipes up to 36 inches in diameter nor more than one inch on pipes 42 inches in diameter and larger. Any pipe found out of line shall be re-laid properly by the Contractor.

Due to conditions in the field, changes to the proposed vertical and horizontal alignment of the proposed sanitary sewer may become necessary. The Contractor shall, where directed by the Engineer, excavate up to 60 feet in advance of the pipe laying operation to expose existing underground facilities thereby enabling the Engineer to make alignment decisions. The Contractor is required to realign (re-lay) the sanitary sewer up to 2 feet vertically and/or horizontally as directed by the Engineer at no extra cost to the project. The excavation in advance of the pipe laying is intended to help eliminate the need for re-laying pipe.

CITY OF ANN ARBOR  
SPECIAL PROVISION  
FOR  
**SANITARY SEWER**

206-11

11 of 21

06/04/18

Making Joints

General:

Mechanical means shall be used for pulling home all rubber-gasket pipe regardless of trench condition where manual means will not result in pushing and holding the pipe home. When a trench box or liner is used, a cable shall be used to pull the joints home and hold them in position.

Where work is performed in wet trenches or trenches with running sand, the Contractor shall provide and use mechanical means for pulling the pipe home in making up the joint and for holding the pipe joints tight until completion of the line. Mechanical means shall consist of a cable placed inside or outside of the pipe with a suitable winch, jack, or come-along for pulling the pipe home and holding the pipe in position.

Where not required by these Specifications, manual means will be acceptable only if the joints can be pushed home and held.

Sewer pipe may not be cut when the cut end will be used in making a pipe joint. Cut ends may only occur in situations such as a manhole or headwall. Cut ends shall be carefully and neatly made with a saw, pipe cutter, or other approved means.

Polyvinyl Chloride (PVC) Pipe:

Elastomeric gasket, push-on joints, shall be made in accordance with manufacturer's standards, and ASTM D2321 and D3212. The jointing surfaces of the pipe shall be wiped clean, and lubricated using lubricant supplied by the pipe manufacturer. The spigot end is to be inserted into the bell so that it is in contact with the gasket. The bell is to be braced while the spigot end is pushed in under the gasket, so that previously completed joints will not be altered. The spigot shall be pushed into the bell until the reference mark on the pipe barrel is flush with the end of the bell.

Backfilling

PVC Pipe:

All pipe shall be bed on a four inch or thicker layer of compacted Coarse Aggregate, 6A (limestone) as specified herein.

From the bedding to the pipe centerline backfill shall be carefully placed Coarse Aggregate, 6A (limestone), placed in maximum lift thicknesses of six inches, loose

CITY OF ANN ARBOR  
SPECIAL PROVISION  
FOR  
**SANITARY SEWER**

206-11

12 of 21

06/04/18

measure. Each lift shall be thoroughly compacted by hand tamps, pneumatic "pogo-sticks", or other approved methods. Each lift shall extend the full width of the space between the pipe and trench, and the fill shall be brought up evenly on both sides of the pipe. The backfill under the haunches of the pipe shall be consolidated by the use of a tee-bar.

From the pipe centerline to the top of the pipe, backfill shall be Aggregate, 6A (limestone) placed in maximum lift thicknesses of six inches, loose measure. Each lift shall be thoroughly compacted by hand tamps, pneumatic "pogo-sticks", or other approved methods. A layer of geotextile separator, meeting the requirements of Section 910, extending the full width of the trench, shall be provided above the coarse aggregate to prevent intrusion of succeeding backfill materials.

From the top of the pipe to two feet above the top of the pipe, unless otherwise specified, backfill shall be Granular Material, Class II placed in a maximum lift thickness of twelve inches, loose measure. These lifts shall be thoroughly compacted by manually operated vibrating plate compactors, to at least 95% of the material's maximum dry density at optimum moisture content, as determined by ASTM D 1557, Method C, or AASHTO T-180.

From two feet above the top of PVC pipe to the grade shown on the Plans and Details, or to the subgrade of roadway materials, or to the subgrade of surface structures, backfill shall be Class II granular material uniformly spread and machine tamped. If machine tamping includes manually operated vibrating plate compactors or self propelled vibrating rollers the backfill material shall be compacted in lifts not exceeding twelve inches, loose measure. If a backhoe mounted compactor is employed, the backfill material shall be compacted in lifts of thirty-six inches, loose measure. Approval to use a particular machine tamping method will be withdrawn by the Engineer if the method causes injury to the pipe or adjacent structures or movement of the pipe. Each lift shall be thoroughly compacted to at least 95% of the material's maximum dry density at optimum moisture content as determined by ASTM D 1557, Method C, or AASHTO T-180. The Engineer may give consideration to giving written permission to increase the thickness of the lifts specified in this paragraph if satisfactory compaction is achieved and no undesirable side effects occur.

General

Backfilling shall not be performed in freezing weather except by written permission of the Engineer, and it shall not be composed of frozen material. No fill shall be placed where the material already in the trench is frozen.



CITY OF ANN ARBOR  
SPECIAL PROVISION  
FOR  
**SANITARY SEWER**

206-11

13 of 21

06/04/18

**Service Lead Connections and Fittings:**

Service lead connections shall be provided at such points as shown on the Plans or as directed by the Engineer. These shall be of the size and character indicated on the Plans. House service leads shall be a minimum of four inches in diameter. Service lead connections shall be formed by the use of standard wye fittings of the same material called for use on the main sewer being constructed. Wye fittings are not to be used for connections with riser pipes. All wye fittings shall be encased in Concrete, Grade X. All leads which will not have pipe connected to them immediately shall be closed by the use of a watertight plug manufactured specifically for that purpose and approved by the Engineer.

Branch connections to existing sewers shall be made by the City of Ann Arbor – Field Operations Personnel. Scheduling of these taps shall be made with Field Operations by the Contractor. All applicable tap fees must be paid in full prior to this scheduling.

Connections for sewer service leads connecting to existing sewer mains or sewer mains of a different pipe material shall be at a core-drilled tap into the sewer pipe. The joint at this tapped connection shall be made using a flexible neoprene rubber boot securely clamped into the core-drilled tap, or approved equal. The end of the sewer service lead pipe shall be flush with the inside wall of the sewer main or manhole.

In order to properly mark the location of every branch connection, the Contractor shall take accurate measurement of all branches before the sewer trench is backfilled. The measurements shall indicate the distance from each branch to the center of the nearest downstream and upstream manhole. When leads are run to the property line, they shall be perpendicular to the main sewer. The Contractor shall also report the location of the point where the lead ends, relative to the nearest property corners. The Contractor shall furnish the Engineer with a copy of these measurements immediately upon the completion of each section of sewer.

**Cleanouts:**

Where shown on the drawings, sanitary sewer cleanouts shall be required to be installed per the standard details in the construction documents.

**Manholes:**

Excavation shall be carried to the depth and width required to permit the construction of the required base. The excavation width shall be greater than the base. The bottom of the excavation shall be trimmed to a uniform horizontal bed and be completely dewatered

CITY OF ANN ARBOR  
SPECIAL PROVISION  
FOR  
**SANITARY SEWER**

206-11

14 of 21

06/04/18

before any concrete is placed therein. Concrete shall be Grade S2. Precast manhole bases and precast bottom sections are allowed.

Precast concrete manholes shall be constructed of Concrete, Grade S2.

Circular precast manhole sections shall be constructed in accordance with the Standard Detail Drawings. Manhole stack units shall be constructed on level poured-in-place bases, precast concrete bases, or precast concrete bottom sections.

Precast cone sections shall be constructed in accordance with the Standard Details. These units shall be eccentric for all manholes. All structures shall be topped with a minimum of one and a maximum of three brick or precast adjustment ring courses.

Manholes shall be constructed within 2-1/2 inches of plumb.

Frames and cover castings shall be set in full mortar beds and pointed on the structure interior to a smooth, brushed finish. The covers shall be set flush with sidewalk, roadway pavement, or ground surfaces. City of Ann Arbor Project Management Personnel shall be notified prior to the final paving of all private roads and parking lots so as to allow inspection of the final casting adjustments for all City utility structures. In gravel streets, covers shall be set six to eight inches below finished gravel surface.

Sewer pipes shall extend into structures a minimum of 1/2 inch and a maximum of 3 inches.

Flow channels for sewer structures shall be finished in accordance with the Standard Details. All flow channels shall be screeded and floated to a smooth, uniform surface and troweled to a hard surface finish. In vitrified clay sewers, the manhole may be constructed around the pipe, then the top half of the pipe broken out with concrete fillets provided to fill in between the pipe and manhole.

See Sewer Testing section for the requirement of the installation of a pipe nipple through the sewer manhole wall.

**Backfilling Around Manholes:**

As soon as practicable after a precast structure has been set, forms and debris have been removed from the structure, and the structure has been inspected and approved, the excavated area around the structure shall be backfilled up to the specified grade with Granular Material, Class II. No boulders, rocks, stones, masonry, lumber, or debris shall be allowed within the backfill.

CITY OF ANN ARBOR  
SPECIAL PROVISION  
FOR  
**SANITARY SEWER**

206-11

15 of 21

06/04/18

Sewer Testing:

All sanitary sewers, including leads, 36 inches and smaller shall be air tested by the Contractor. All sanitary sewers greater than 36 inches shall be infiltration or exfiltration tested by the Contractor. The Engineer will decide whether infiltration or exfiltration testing is performed based upon ground water conditions. All sewers, except 4-inch and 6-inch leads, shall be television inspected by the Contractor. All PVC sanitary sewer mains shall be mandrel tested. All sewer must meet each test, in order (mandrel testing, air or infiltration/exfiltration, television inspection), before the next test is performed. The Contractor shall furnish all labor, equipment and materials necessary for testing. Only after all tests have been successfully completed, and acknowledged by the Engineer in writing, may the sewer be placed in service.

Mandrel Testing:

All PVC sanitary sewer mains shall be mandrel tested for deflection by the Contractor. The mandrel shall be a commercially produced, nine-fin mandrel, with the pipe diameter, percent deflection and applicable ASTM or AASHTO standard stamped on the fins. The testing is to take place after the sewers have been in place for a minimum of 30 days. The mandrel shall be pulled from structure to structure. Any portion of the pipe through which the mandrel passes freely shall be deemed to have passed the mandrel test. Sections of pipe through which the mandrel does not pass freely shall be exposed and examined. Based on this examination either the pipe zone bedding and backfill shall be improved or the pipe replaced. The pipe shall then be re-tested before approval is granted.

The Contractor shall not be granted an extension of contract time for the period in which a portion(s) of PVC sanitary sewer is awaiting mandrel and other acceptance tests. This waiting period is understood to be an integral element of the construction of the utility and cannot be eliminated. Further, if a sewer is installed and requires remedial action in order to comply with the requirements of the project specifications, the waiting period associated with the remedial repairs shall also not be considered as a basis for an extension of contract time. The Contractor shall take these requirements into account when preparing their Critical Path Schedule, and any required updates, and shall account for them during the performance of the project.

CITY OF ANN ARBOR  
SPECIAL PROVISION  
FOR  
**SANITARY SEWER**

206-11

16 of 21

06/04/18

The mandrel is to be constructed in accordance with the following table:

SDR 35 PVC, Pipe I.D.	Mandrel O.D.
8"	7.28"
10"	9.08"
12"	10.79"
15"	13.20"
18"	N/A
24"	N/A

**Air Test:**

The air test can be dangerous. Lack of understanding, carelessness, or an improperly prepared line must be avoided. It is extremely important that the plugs be installed in such a way as to prevent blowouts. Sudden expulsion of a poorly installed or partially deflated plug can cause serious injury or damage. As a safety precaution, pressurizing equipment must include a relief valve set at not more than 10 psig. No one will be allowed in the manholes during testing.

In areas where ground water is known to exist and the sewer is to be air tested, the Contractor shall install a 1/2-inch diameter by approximately 10 inch long pipe nipple, through the manhole wall above one of the sewer lines entering the manhole. The pipe nipple shall be capped on the inside of the manhole at the time the sewer line is installed. Immediately prior to the performance of the air test, the ground water level shall be determined by removing the pipe cap, blowing air through the pipe nipple into the ground so as to clear it, and then connecting a clear plastic tube to the pipe nipple. The tube shall be held vertically and a measurement of the height in feet of water above pipe centerline shall be taken after the water stops rising in this plastic tube. The height in feet shall be divided by 2.31 to establish the pressure (in psig) that will be considered to be the average ground water back pressure.

The normal sequence and time requirements for air testing are:

1. After a manhole-to-manhole section of line has been backfilled and cleaned, it shall be plugged at each manhole with pneumatic plugs. The design of the pneumatic plugs shall be such that they will hold against the line test pressure without requiring external blocking or bracing. There shall be three hose connections to the pneumatic plug. One hose shall be used only for inflation of the pneumatic plug. The second hose shall be used for continuously reading the air pressure rise in the

CITY OF ANN ARBOR  
SPECIAL PROVISION  
FOR  
**SANITARY SEWER**

206-11

17 of 21

06/04/18

sealed line. The third hose shall be used only for introducing low pressure air into the sealed line.

2. Low pressure air shall be introduced into the sealed line until the internal air pressure reaches 4.0 psig greater than the average back pressure of any ground water pressure that may be over the pipe. At least two minutes shall be allowed for the air pressure to stabilize. After the stabilization period, the pressurization hose shall be disconnected to prevent air from entering or escaping from the line.

There shall be a pressure gauge for reading the internal pressure of the line being tested. The gauge shall be capable of showing pressure as low as 0 psig up to no greater than 20 psig. In the 0-10 psig range the gauge shall be both calibrated and accurate to one-tenth of one pound and the gauge dial shall cover at least one-half of the complete dial range. This gauge shall have a tee fitting to allow simultaneous pressure reading by a City gauge.

3. The time requirement for the pressure to decrease from 3.5 to 2.5 psig (greater than the average back pressure of any ground water that may be over the pipe) shall not be less than the time given in the following table:

<u>Pipe Size</u>	VCP SEWERS	PVC SEWERS	
	<u>Minimum Holding Time Seconds/100 ft. Pipe</u>	<u>Holding Time (Seconds)</u>	<u>Minimum Holding Time (Min:Sec)</u>
4-inch	18	0.380 x Length	3:46
6-inch	42	0.854 x L	5:40
8-inch	72	1.520 x L	7:34
10-inch	90	2.374 x L	9:26
12-inch	108	3.418 x L	11:20
15-inch	126	5.342 x L	14:10
18-inch	144	7.692 x L	17:00
21-inch	180	10.470 x L	19:50
24-inch	216	13.674 x L	22:40
30-inch	288	21.366 x L	28:20
36-inch	360	30.768 x L	34:00

CITY OF ANN ARBOR  
SPECIAL PROVISION  
FOR  
**SANITARY SEWER**

206-11

18 of 21

06/04/18

**Infiltration Test:**

The Contractor shall place temporary weirs for testing purposes in such manholes as necessary to measure the amount of infiltration. Test sections shall be no longer than 1,200 feet.

The allowable amount of infiltration shall not be more than 200 gallons per inch of pipe diameter per mile of sewer per 24 hours, including manholes. The Contractor shall repair all visible leaks regardless of the results of the infiltration test.

If the allowable limit of infiltration is exceeded on any test section, the Contractor shall reconstruct or repair the defective portion of the sewer, and re-test.

**Exfiltration Test:**

The standpipe method will be used from manhole to manhole for the length of pipe to be tested. A hydrostatic head of 10 ft. to the sewer's average centerline elevation will be required, with adjustments for external submergence due to water in the trench. The Engineer will establish time durations and procedures for each test. The maximum allowable exfiltration rate will be 200 gallons per inch of pipe diameter per mile of sewer per 24 hours including manholes. Upon completion of this test on a sanitary sewer, the Contractor shall pump all water out of the downstream manhole to a storm sewer.

**Television Inspection:**

A video inspection must be approved prior to the acceptance of the sewers, and prior to any building connections being made. The Engineer shall be given 24 hours notice so that an Inspector may witness the video inspection. All sewer lines are to be thoroughly cleaned prior to video inspection, by jetting of the lines or other approved methods. Video inspection shall consist of wetting the invert of the section by pouring clean water in the upstream manhole until it appears in the downstream manhole, and then, after the water has stopped flowing, passing a video camera through the section. The camera shall be connected to a monitor and the results recorded in DVD format. The inspection record (DVD) shall indicate the date, the section tested, and the actual distance from the beginning manhole to each tee or wye, and each visible defect. The DVD shall be furnished to the Engineer for further review and final approval.

The video inspection will be deemed satisfactory if there are no visible defects, including, but not limited to: dips or low spots, high spots, deviations in horizontal or vertical alignment, joint offsets, leaks or cracks and there is no debris or other foreign material in the sewer system.

CITY OF ANN ARBOR  
SPECIAL PROVISION  
FOR  
**SANITARY SEWER**

206-11

19 of 21

06/04/18

Sewer Repairs:

If a sewer repair is required as a result of damage during construction operations, air test failure, or video inspection failure, the Contractor shall expose the sewer pipe and perform the required correction(s), as specified herein and as directed by the Engineer. The Contractor shall be fully responsible to provide a written plan of all proposed activities associated with any repair(s) for the review and approval of the Engineer. All repairs proposed shall be effective. The Engineer's acceptance of a proposed repair plan shall not be construed as acceptance of any associated result. The Contractor is, and shall remain responsible, for all work until such time as it is formally accepted in writing by the Engineer.

If the repair is required due to the pipe being out of alignment or off grade, the pipe shall be adjusted so as to be placed in proper alignment and grade. Aggregate, 6A (limestone) shall be carefully placed under the haunches of the realigned pipe and compacted by the use of a tee-bar. From the haunches of the pipe, backfilling shall be performed as specified elsewhere herein.

If the pipe cannot be satisfactorily realigned or an open joint reset; or if the pipe is cracked, broken, or permanently deflected, the affected pipe shall be removed and replaced with the same pipe material. The pipe to be removed is to be sawed on each side of the damaged section in a neat and workmanlike manner without damage to the adjacent pipe. The replacement pipe section shall fit flush to the remaining pipe at each end. These sawed joints shall be coupled using a flexible pipe coupling and stainless steel shear ring. These joints shall be encased to the pipe centerline with Concrete, Grade X one foot on either side of the flexible coupling. The remaining pipe backfill shall be performed as specified elsewhere herein.

**d. Measurement and Payment.** The completed work as described will be measured and paid for at the contract unit price using the following contract items (pay items):

**e.**

<u>Contract Item (Pay Item)</u>	<u>Pay Unit</u>
206 - Sewer, SDR 35 PVC Pipe, ___ inch, Tr Det ___ .....	Foot
207 - Wye, SDR 35 PVC, _ inch .....	Each
208 - Sewer, SDR 35 PVC, Service Lead, _ inch, Tr Det ___ .....	Foot
209 - Dr Str, Manhole, Type I, ___ inch dia, Sanitary .....	Each
210 - Dr Str, Manhole, Type I, Addt'l Depth, ___ inch dia, Sanitary ..	Each
211 - Sanitary Sewer Cleanout.....	Each

CITY OF ANN ARBOR  
SPECIAL PROVISION  
FOR  
**SANITARY SEWER**

206-11

20 of 21

06/04/18

**Sewer Pipe**

Sewer pipe as specified shall be measured in place by length in lineal feet (LF) from center of manhole to center of manhole.

Payment will include, but not be limited to; excavation; removal and proper disposal off-site of all excess or unsuitable excavated material; any needed sheeting, shoring and bracing; the installation of water-tight plugs; protection of all existing utilities and service connections; connections into existing structures; bulkheading existing connections that are no longer needed in existing manholes; pipe bedding; by-pass pumping; furnishing an approved geotextile separator; backfilling per the trench details and the requirements specified herein; cleaning; video inspection; and testing.

**Service Wyes**

Service wyes shall be paid for based on each wye installed. The payment for the service wye will include the material, equipment and labor costs for the connection of the lead to the wye. Also, the payment for the service wye will include the material, equipment and labor costs for the excavation; removal and proper disposal off-site of all excess or unsuitable excavated material; any needed sheeting, shoring and bracing; the installation of water-tight plugs; protection of all existing utilities and service connections; pipe bedding; by-pass pumping; furnishing an approved geotextile separator; backfilling per the trench details and the requirements specified herein; cleaning; testing; placing the plug or cap placed on the wye, riser or lead; and, the required wooden stake to locate the lead in the future.

**Leads**

Service leads shall be paid for based on lineal feet (LF) measured as installed, from the center of the main to the capped end of the lead. The payment for service leads will include, but not be limited to; excavation; removal and proper disposal off-site of all excess or unsuitable excavated material; any needed sheeting, shoring and bracing; the installation of water-tight plugs; protection of all existing utilities and service connections; connections into existing structures; pipe bedding; by-pass pumping; furnishing an approved geotextile separator; backfilling and compacting per the trench details and the requirements specified herein; cleaning; video inspection; testing; and, the necessary fittings, labor and equipment to connect the lead to a wye.

**Manholes**

Manholes of the detail and depth specified will be paid for at the Contract unit price for each unit installed. Payment includes, but shall not be limited to; furnishing the labor,



CITY OF ANN ARBOR  
SPECIAL PROVISION  
FOR  
**SANITARY SEWER**

206-11

21 of 21

06/04/18

equipment and materials for all necessary excavation; any needed sheeting, shoring and bracing; properly disposing of surplus or unsuitable excavated material; backfilling and compaction; and, constructing the structure complete, including pipe connections and structure cleaning, up to 10 feet of drainage structure depth.

Payment for additional depth for drainage structures includes, but shall not be limited to; furnishing the labor, equipment, and materials for all necessary excavation; any needed sheeting, shoring and bracing; disposing of surplus excavated material; backfilling and compaction; and constructing the structure complete, including pipe connections and structure cleaning, for the portion of the structure which is deeper than 10 feet.

Payment for adjusting of manhole frames and covers shall be included in payment for the manhole. The manhole frames and covers will be paid for separately.

#### Cleanouts

Payment for cleanouts shall be based on the number of Each (EA) cleanout installed. Payment includes, but shall not be limited to; furnishing all labor, equipment and materials for all necessary excavation; any needed sheeting, shoring and bracing; proper removal and disposal off-site of surplus and unsuitable excavated material; pipe, fittings, castings, and concrete; backfilling and compaction; and, connections to complete this item of work.

CITY OF ANN ARBOR  
DETAILED SPECIFICATION  
FOR  
**RESTORATION SPECIAL**

212-14

1 of 3

02/05/18

**a. Description.** This work consists of preparing all manicured lawns and slopes on non-freeway projects designated for slope restoration on the plans or by the Engineer, and applying topsoil, fertilizer, seed, and mulch to those areas. Turf establishment shall be in accordance with section 816 of the Michigan Department of Transportation (MDOT) 2012 Standard Specifications for Construction and Standard Plan Series R-100, except as modified herein or otherwise directed by the Engineer.

**b. Materials.** The materials and application rates specified in sections 816 and 917 of the MDOT 2012 Standard Specifications for Construction apply unless modified by this special provision or otherwise directed by the Engineer.

1. Topsoil Surface: Place **4 inches** of topsoil in area disturbed areas to be restored. Topsoil shall be free of all stones one inch in diameter or greater.
2. Turf Seed Mixture: Use seed mixture type THM (Turf Loamy to Heavy).
3. Chemical Fertilizer Nutrient: Use Class A fertilizer.
4. Use Mulch Blankets on all areas to be restored. Mulch blankets shall be 100% coconut fiber (0.50 lbs/syd), with 100% biodegradable jute fiber netting (Top - 9.30lbs/1000sft, Bottom – 7.7lbs/1000sft).
5. Landscaping Trees and Bushes

**c. Construction.** Construction methods shall be in accordance to subsection 816.03 of the MDOT 2012 Standard Specifications for Construction. Begin this work as soon as possible after final grading of the areas designated for slope restoration but no later than the maximum time frames stated in subsection 208.03 of the Standard Specifications for Construction. It may be necessary, as directed by the Engineer, to place materials by hand.

Prior to placing topsoil, shape, compact and assure all areas to be seeded **are weed free**. Place topsoil to the minimum depth indicated above, to meet proposed finished grade. Remove any stones greater than or equal to 1 inch in diameter. If the area being restored requires more than the minimum depth of topsoil to meet finished grade, this additional depth must be filled using topsoil. Furnishing and placing this additional material is included in this item of work.

Topsoil shall be **weed and weed seed free** and friable prior to placing seed. Remove all stones from the topsoil greater than 1 inch in diameter. Apply seed mixture and fertilizer to prepared soil surface. Seed shall be incorporated into top ½ inch of topsoil.

If an area washes out after this work has been properly completed and approved by the Engineer, make the required corrections to prevent future washouts and replace the topsoil, fertilizer, seed and mulch blankets. This replacement will be paid for as additional work using the applicable contract items.

If an area washes out for reasons attributable to the Contractor's activity or failure to take proper precautions, replacement shall be at the Contractor's expense.

The Engineer will inspect the seeded turf to ensure the end product is well established, weed free, in a vigorous growing condition, and contains the species called for in the seeding mixture. **If areas do not promote growth, the Contractor shall apply new seed at its expense.**

If weeds are determined by the Engineer to cover more than ten percent of the total area of slope restoration, the Contractor shall provide weed control in accordance to subsection 816.03.J of the MDOT 2012 Standard Specifications for Construction. Weed control shall be at the Contractor’s expense with no additional charges to the project for materials, labor or equipment.

Any bushes or trees that are identified within the excavation limits that are identified by the City as requiring replacement shall be replaced in kind and paid for through the allowance for landscaping provided in this specification.

A project site access plan is included in the construction documents showing the Contractor the approximate location, size and quantity of trees and shrubs that will require removal or replacement.

Prior to construction, the Contractor will meet with the City and Engineer in the field and determine which landscaping must be replaced. The landscaping will be documented and photographed by the Contractor for use in replanting, and a list of plants to be furnished and planted after construction will be agreed upon.

After completion of other surface restoration, Contractor shall complete all landscaping, and include watering through the duration of the contract. Special care and watering instruction received from the supplier shall be submitted to the City for transfer to the homeowners. Landscaping shall be warranted for one year from planting.

**d. Measurement and Payment.** The completed work, as described, will be measured and paid for at the contract unit price for the following pay item:

<u>Pay Item</u>	<u>Pay Unit</u>
212 – Restoration, Special .....	Square Yard
213 – Site Tree and Shrub Removals .....	Square Yard
214 – Landscaping, Max \$15,000 .....	Lump Sum

**Site Tree and Shrub Removals** This item of work will be paid for on a pro rata basis at the time of each progress payment. Measurement will be based on the ratio between work completed during the payment period and the total contract amount. When all of the work of this Contract has been completed, the measurement of this item shall be 1.0 Lump Sum, minus any deductions incurred for inadequate performance as described herein. This amount will not be increased for any reason, including extensions of time, extras, and/or additional work. Work includes close coordination with City during site mobilization efforts and shall be in accordance with the work proposed in the construction access plan.

The unit price for this item of work shall include all labor, material, and equipment costs to perform all the work specified in the Standard Specifications and as modified by this Detailed Specification.

**Restoration, Special** shall be performed in all areas disturbed by the Contractor to construct the Project as shown on the plans and as directed by the Engineer. The Contractor will restore areas disturbed by its operations not required by the Project at its own expense.

**Landscaping** This item of work will be paid for on a pro rata basis at the time of each progress payment. Measurement will be based on the ratio between work completed during the payment period and the total contract amount. When all of the work of this Contract has been completed, the measurement of this item shall be 1.0 Lump Sum, minus any deductions incurred for inadequate performance as described herein. This amount will not be increased for any reason, including extensions of time, extras, and/or additional work.

The unit price for this item of work shall include all labor, material, and equipment costs to perform all the work specified in the Standard Specifications and as modified by this Detailed Specification.

CITY OF ANN ARBOR  
 DETAILED SPECIFICATION  
 FOR  
**STRUCTURE COVERS**

215

1 of 2

02/05/18

a. **Description.** This work shall consist of replacing and furnishing structure covers and castings for sanitary sewer manholes as shown on the Plans and as directed by the Engineer, in accordance with Section 403 of the 2012 edition of the MDOT Standard Specifications for Construction, and the City Standard Specifications, except as specified herein.

b. **Materials.** Materials shall meet the requirements of sections 701, 702, and 908 of the 2012 MDOT Standard Specifications, except that concrete shall be MDOT HE, 8.4-sack per Section 601.

All covers and/or castings shall conform to the model(s) specified, as follows:

<u>Type of Casting</u>	<u>MDOT Designation</u>	<u>NEENAH No. (Weight, Lbs)</u>	<u>EJIW No. (Weight, Lbs)</u>
Manhole Flange and Cover	B	R-1642 w/ Type C cover Type D cover (380 lbs.)	1040 w/ Type A cover Type M1 (300 lbs.)

All storm sewer covers shall have the lettering "DUMP NO WASTE!" and a fish image. All other covers shall have "SEWER" or "W" cast in the surface, whichever is applicable.

Frames and covers shall have machined bearing surfaces. Covers shall have two, 1-inch vent holes located opposite each other and 6-inches from the edge.

c. **Construction.** Materials shall be stored by the Contractor at locations arranged by the Contractor, subject to the approval of the Engineer. The Contractor shall not store materials or equipment, including metal castings and steel plates, on any lawn area.

The Contractor shall deliver all salvaged covers and castings to the Wheeler Center (4251 Stone School Road) within two days of their removal.

d. **Measurement and Payment.** The completed work shall be paid for at the contract unit price for the following contract items (pay items):

<u>Pay Item</u>	<u>Pay Unit</u>
210 – Structure Cover .....	Lbs

The unit prices for these items of work shall include all labor, material, and equipment costs to perform all the work specified in the Standard Specifications and as modified by this Detailed Specification.

Payment for transporting new and salvaged castings and covers to and from the Wheeler Center is included in the appropriate items of work.

CITY OF ANN ARBOR  
DETAILED SPECIFICATION  
FOR  
**NON-STRUCTURAL FLOWABLE FILL**

216

1 of 1

02/05/18

**a. Description.** This work consists of furnishing and placing non-structural flowable fill for abandoning pipes and miscellaneous structures; constructing miscellaneous bulkheads or forms; and backfilling. This specification is not intended to address flowable fill used as structural backfill.

**b. Materials.** Supply non-structural flowable fill consisting of a mixture of Portland cement, fly ash, sand (2NS) and water. Use materials conforming to the standard specifications except as modified by this special provision. All non-structural flowable fill is intended to be removable using conventional mechanical excavation methods.

Use either Type I or IA Portland cement conforming to section 901 of the Standard Specifications for Construction and Class F or C fly ash as specified by ASTM C 618 except that there is no limit on loss on ignition.

Produce a mix of cement, fly ash, sand and water in the following proportions.

Portland Cement	50 lb/cyd
Fly Ash	500 lb/cyd
Sand	2850 lb/cyd
Water	approx. 376 lb/cyd (sufficient to produce desired flowability)

**c. Construction.** Produce and deliver the non-structural flowable fill at a minimum temperature of 50 degrees F. Transport mixture to the point of placement in a revolving drum mixer or agitator.

Secure all pipes and conduits within the backfill area to counteract the buoyant effect of non-structural flowable fill. Place the material evenly around manholes and in utility trenches to avoid dislocating pipes and conduits.

Material shall be placed in such a manner to promote a complete filling of the existing pipeline. This may include installation of temporary piping, or use of pumps where necessary to ensure the estimated amount of fill as calculated by the contractor prior to placement is installed.

**d. Measurement and Payment.** The completed work, as described, will not be paid for separately, but as part of the pay item Sewer Main, Abandon.

CITY OF ANN ARBOR  
DETAILED SPECIFICATION  
FOR  
**CERTIFIED PAYROLL COMPLIANCE AND REPORTING**

299

1 of 2

06/14/18

**DESCRIPTION**

This specification covers all administrative requirements, payroll reporting procedures to be followed by Contractors performing work on City-sponsored public improvements projects, and all other miscellaneous and incidental costs associated with complying with the applicable sections of the City of Ann Arbor Code of Ordinances with regard to payment of prevailing wages and its Prevailing Wage Compliance policy.

This specification is not intended to include the actual labor costs associated with the payment of prevailing wages as required. Those costs should be properly incorporated in all other items of work bid.

**GENERAL**

The Contractor is expected to comply with all applicable sections of Federal and State prevailing wage laws, duly promulgated regulations, the City of Ann Arbor Code of Ordinances, and its Prevailing Wage Compliance Policy as defined within the contract documents. The Contractor shall provide the required certified payrolls, city-required declarations, and reports requested elsewhere in the contract documents within the timeline(s) stipulated therein.

The Contractor shall also provide corrected copies of any submitted documents that are found to contain errors, omissions, inconsistencies, or other defects that render the report invalid. The corrected copies shall be provided when requested by the Supervising Professional.

The Contractor shall also attend any required meetings as needed to fully discuss and ensure compliance with the contract requirements regarding prevailing wage compliance. The Contractor shall require all employees engaged in on-site work to participate in, provide the requested information to the extent practicable, and cooperate in the interview process. The City of Ann Arbor will provided the needed language interpreters in order to perform wage rate interviews or other field investigations as needed.

Certified Payrolls may be submitted on City-provided forms or forms used by the Contractor, as long as the Contractor's forms contain all required payroll information. If the Contractor elects to provide their own forms, the forms shall be approved by the Supervising Professional prior to the beginning of on-site work.

**UNBALANCED BIDDING**

The City of Ann Arbor will examine the submitted cost for this item of work prior to contract award. If the City determines, in its sole discretion, that the costs bid by the Contractor for complying with the contract requirements are not reasonable, accurately reported, or may contain discrepancies, the City reserves the right to request additional documentation that fully supports and justifies the price as bid. Should the submitted information not be determined to be reasonable or justify the costs, the City reserves the right to pursue award of the contract to the second low bidder without penalty or prejudice to any other remedies that it may have or may elect to exercise with respect to the original low-bidder.



CITY OF ANN ARBOR  
DETAILED SPECIFICATION  
FOR  
**CERTIFIED PAYROLL COMPLIANCE AND REPORTING**

299

2 of 2

06/14/18

The Contract Completion date will not be extended as a result of the City's investigation of the as-bid amount for this item of work, even if the anticipated contract award date must be adjusted. The only exception will be if the Contractor adequately demonstrates that their costs were appropriate and justifiable. If so, the City will adjust the contract completion date by the number of calendar days commensurate with the length of the investigation, if the published Notice to Proceed date of the work cannot be met. The contract unit prices for all other items of work will not be adjusted regardless of an adjustment of the contract completion date being made.

**MEASUREMENT AND PAYMENT**

The completed work as measured for this item of work will be paid for at the Contract Unit Price for the following Contract (Pay) Item:

**PAY ITEM**

**PAY UNIT**

Certified Payroll Compliance and Reporting

Lump Sum

The unit price for this item of work shall include all supervisory, accounting, administrative, and equipment costs needed to monitor and perform all work related to maintaining compliance with the tasks specified in this Detailed Specification, the City of Ann Arbor Code of Ordinances, its Prevailing Wage Compliance policy and the applicable Federal and State laws.

Payment for this work will be made with each progress payment, on a pro-rata basis, based on the percentage of construction completed. When all of the work of this contract has been completed, the measurement of this item shall be 1.0 times the Lump Sum bid amount. This amount will not be increased for any reason, including extensions of time, extra work, and/or adjustments to existing items of work.

# APPENDIX

**CITY OF ANN ARBOR  
PREVAILING WAGE DECLARATION OF COMPLIANCE**

The "wage and employment requirements" of Section 1:320 of Chapter 14 of Title I of the Ann Arbor City Code mandates that the city not enter any contract, understanding or other arrangement for a public improvement for or on behalf of the city unless the contract provides that all craftsmen, mechanics and laborers employed directly on the site in connection with said improvements, including said employees of subcontractors, shall receive the prevailing wage for the corresponding classes of craftsmen, mechanics and laborers, as determined by statistics for the Ann Arbor area compiled by the United States Department of Labor. Where the contract and the Ann Arbor City Code are silent as to definitions of terms required in determining contract compliance with regard to prevailing wages, the definitions provided in the Davis-Bacon Act as amended (40 U.S.C. 278-a to 276-a-7) for the terms shall be used. Further, to the extent that any employees of the contractor providing services under this contract are not part of the class of craftsmen, mechanics and laborers who receive a prevailing wage in conformance with section 1:320 of Chapter 14 of Title I of the Code of the City of Ann Arbor, employees shall be paid a prescribed minimum level of compensation (i.e. Living Wage) for the time those employees perform work on the contract in conformance with section 1:815 of Chapter 23 of Title I of the Code of the City of Ann Arbor.

At the request of the city, any contractor or subcontractor shall provide satisfactory proof of compliance with this provision.

The Contractor agrees:

- (a) To pay each of its employees whose wage level is required to comply with federal, state or local prevailing wage law, for work covered or funded by this contract with the City,
- (b) To require each subcontractor performing work covered or funded by this contract with the City to pay each of its employees the applicable prescribed wage level under the conditions stated in subsection (a) or (b) above.
- (c) To provide to the City payroll records or other documentation within ten (10) business days from the receipt of a request by the City.
- (d) To permit access to work sites to City representatives for the purposes of monitoring compliance, and investigating complaints or non-compliance.

The undersigned states that he/she has the requisite authority to act on behalf of his/her employer in these matters and has offered to provide the services in accordance with the terms of the wage and employment provisions of the Chapter 14 of the Ann Arbor City Code. The undersigned certifies that he/she has read and is familiar with the terms of Section 1:320 of Chapter 14 of the Ann Arbor City Code and by executing this Declaration of Compliance obligates his/her employer and any subcontractor employed by it to perform work on the contract to the wage and employment requirements stated herein. The undersigned further acknowledges and agrees that if it is found to be in violation of the wage and employment requirements of Section 1:320 of the Chapter 14 of the Ann Arbor City Code it shall have been deemed a material breach of the terms of the contract and grounds for termination of same by the City.

Fogson Company, Inc.  
Company Name  
Peter Scodeller      August 12, 2015  
Signature of Authorized Representative      Date  
Peter Scodeller, President  
Print Name and Title  
1144 Whitmore Lake Rd, Brighton, MI, 48116  
Address, City, State, Zip  
313-231-5188, peter@fogsoninc.com  
Phone/Email address

Questions about this form? Contact Procurement Office City of Ann Arbor Phone: 734/794-6500

**CITY OF ANN ARBOR  
LIVING WAGE ORDINANCE DECLARATION OF COMPLIANCE**

The Ann Arbor Living Wage Ordinance (Section 1:811-1:821 of Chapter 23 of Title I of the Code) requires that an employer who is (a) a contractor providing services to or for the City for a value greater than \$10,000 for any twelve-month contract term, or (b) a recipient of federal, state, or local grant funding administered by the City for a value greater than \$10,000, or (c) a recipient of financial assistance awarded by the City for a value greater than \$10,000, shall pay its employees a prescribed minimum level of compensation (i.e., Living Wage) for the time those employees perform work on the contract or in connection with the grant or financial assistance. The Living Wage must be paid to these employees for the length of the contract/program.

Companies employing fewer than 5 persons and non-profits employing fewer than 10 persons are exempt from compliance with the Living Wage Ordinance. If this exemption applies to your company/non-profit agency please check here  No. of employees     

The Contractor or Grantee agrees:

- (a) To pay each of its employees whose wage level is not required to comply with federal, state or local prevailing wage law, for work covered or funded by a contract with or grant from the City, no less than the Living Wage. The current Living Wage is defined as \$13.13/hour for those employers that provide employee health care (as defined in the Ordinance at Section 1:815 Sec. 1 (a)), or no less than \$14.65/hour for those employers that do not provide health care. The Contractor or Grantor understands that the Living Wage is adjusted and established annually on April 30 in accordance with the Ordinance and covered employers shall be required to pay the adjusted amount thereafter to be in compliance (Section 1:815(3)).

*Check the applicable box below which applies to your workforce*

Employees who are assigned to any covered City contract/grant will be paid at or above the applicable living wage without health benefits

Employees who are assigned to any covered City contract/grant will be paid at or above the applicable living wage with health benefits

- (b) To post a notice approved by the City regarding the applicability of the Living Wage Ordinance in every work place or other location in which employees or other persons contracting for employment are working.
- (c) To provide to the City payroll records or other documentation within ten (10) business days from the receipt of a request by the City.
- (d) To permit access to work sites to City representatives for the purposes of monitoring compliance, and investigating complaints or non-compliance.
- (e) To take no action that would reduce the compensation, wages, fringe benefits, or leave available to any employee covered by the Living Wage Ordinance or any person contracted for employment and covered by the Living Wage Ordinance in order to pay the living wage required by the Living Wage Ordinance.

The undersigned states that he/she has the requisite authority to act on behalf of his/her employer in these matters and has offered to provide the services or agrees to accept financial assistance in accordance with the terms of the Living Wage Ordinance. The undersigned certifies that he/she has read and is familiar with the terms of the Living Wage Ordinance, obligates the Employer/Grantee to those terms and acknowledges that if his/her employer is found to be in violation of Ordinance it may be subject to civil penalties and termination of the awarded contract or grant of financial assistance.

Fanson Company, Inc  
Company Name

7644 Whitmore Lake Rd  
Street Address

Peter Scoble Her 7/24/18  
Signature of Authorized Representative Date

Brighton, MI, 48116  
City, State, Zip

Peter Scoble Her, President  
Print Name and Title

210-231-5188/peter@fansoninc.com  
Phone/Email address

# CITY OF ANN ARBOR LIVING WAGE ORDINANCE

**RATE EFFECTIVE APRIL 30, 2018 - ENDING APRIL 29, 2019**

**\$13.22 per hour**

If the employer provides health care benefits\*

**\$14.75 per hour**

If the employer does **NOT** provide health care benefits\*

Employers providing services to or for the City of Ann Arbor or recipients of grants or financial assistance from the City of Ann Arbor for a value of more than \$10,000 in a twelve-month period of time must pay those employees performing work on a City of Ann Arbor contract or grant, the above living wage.

## **ENFORCEMENT**

The City of Ann Arbor may recover back wages either administratively or through court action for the employees that have been underpaid in violation of the law. Persons denied payment of the living wage have the right to bring a civil action for damages in addition to any action taken by the City.

Violation of this Ordinance is punishable by fines of not more than \$500/violation plus costs, with each day being considered a separate violation. Additionally, the City of Ann Arbor has the right to modify, terminate, cancel or suspend a contract in the event of a violation of the Ordinance.

\* Health Care benefits include those paid for by the employer or making an employer contribution toward the purchase of health care. The employee contribution must not exceed \$.50 an hour for an average work week; and the employer cost or contribution must equal no less than \$1/hr. for the average work week.

**The Law Requires Employers to Display This Poster Where Employees Can Readily See It.**

**For Additional Information or to File a Complaint Contact:  
Colin Spencer at 734/794-6500 or [cspencer@a2gov.org](mailto:cspencer@a2gov.org)**



# Vendor Conflict of Interest Disclosure Form

All vendors interested in conducting business with the City of Ann Arbor must complete and return the Vendor Conflict of Interest Disclosure Form in order to be eligible to be awarded a contract. Please note that all vendors are subject to comply with the City of Ann Arbor's conflict of interest policies as stated within the certification section below.

If a vendor has a relationship with a City of Ann Arbor official or employee, an immediate family member of a City of Ann Arbor official or employee, the vendor shall disclose the information required below.

1. No City official or employee or City employee's immediate family member has an ownership interest in vendor's company or is deriving personal financial gain from this contract.
2. No retired or separated City official or employee who has been retired or separated from the City for less than one (1) year has an ownership interest in vendor's Company.
3. No City employee is contemporaneously employed or prospectively to be employed with the vendor.
4. Vendor hereby declares it has not and will not provide gifts or hospitality of any dollar value or any other gratuities to any City employee or elected official to obtain or maintain a contract.
5. Please note any exceptions below:

<b>Conflict of Interest Disclosure*</b>	
Name of City of Ann Arbor employees, elected officials or immediate family members with whom there may be a potential conflict of interest.	<input type="checkbox"/> Relationship to employee <hr/> <input type="checkbox"/> Interest in vendor's company <input type="checkbox"/> Other (please describe in box below)

\*Disclosing a potential conflict of interest does not disqualify vendors. In the event vendors do not disclose potential conflicts of interest and they are detected by the City, vendor will be exempt from doing business with the City.

<b>I certify that this Conflict of Interest Disclosure has been examined by me and that its contents are true and correct to my knowledge and belief and I have the authority to so certify on behalf of the Vendor by my signature below:</b>		
<i>Forsum Company, Inc.</i>	<i>910-231-5138</i>	
<b>Vendor Name</b>	<b>Vendor Phone Number</b>	
<i>Peter Scateller</i>	<i>7/24/18</i>	<i>Peter Scateller</i>
<b>Signature of Vendor Authorized Representative</b>	<b>Date</b>	<b>Printed Name of Vendor Authorized Representative</b>

Questions about this form? Contact Procurement Office City of Ann Arbor Phone: 734/794-6500, [procurement@a2gov.org](mailto:procurement@a2gov.org)

**CITY OF ANN ARBOR  
DECLARATION OF COMPLIANCE**

Non-Discrimination Ordinance

The "non discrimination by city contractors" provision of the City of Ann Arbor Non-Discrimination Ordinance (Ann Arbor City Code Chapter 112, Section 9:158) requires all contractors proposing to do business with the City to treat employees in a manner which provides equal employment opportunity and does not discriminate against any of their employees, any City employee working with them, or any applicant for employment on the basis of actual or perceived age, arrest record, color, disability, educational association, familial status, family responsibilities, gender expression, gender identity, genetic information, height, HIV status, marital status, national origin, political beliefs, race, religion, sex, sexual orientation, source of income, veteran status, victim of domestic violence or stalking, or weight. It also requires that the contractors include a similar provision in all subcontracts that they execute for City work or programs.

In addition the City Non-Discrimination Ordinance requires that all contractors proposing to do business with the City of Ann Arbor must satisfy the contract compliance administrative policy adopted by the City Administrator. A copy of that policy may be obtained from the Purchasing Manager

The Contractor agrees:

- (a) To comply with the terms of the City of Ann Arbor's Non-Discrimination Ordinance and contract compliance administrative policy, including but not limited to an acceptable affirmative action program if applicable.
- (b) To post the City of Ann Arbor's Non-Discrimination Ordinance Notice in every work place or other location in which employees or other persons are contracted to provide services under a contract with the City.
- (c) To provide documentation within the specified time frame in connection with any workforce verification, compliance review or complaint investigation.
- (d) To permit access to employees and work sites to City representatives for the purposes of monitoring compliance, or investigating complaints of non-compliance.

The undersigned states that he/she has the requisite authority to act on behalf of his/her employer in these matters and has offered to provide the services in accordance with the terms of the Ann Arbor Non-Discrimination Ordinance. The undersigned certifies that he/she has read and is familiar with the terms of the Non-Discrimination Ordinance, obligates the Contractor to those terms and acknowledges that if his/her employer is found to be in violation of Ordinance it may be subject to civil penalties and termination of the awarded contract.

Fopson Company, Inc.  
Company Name

[Signature]      7/24/18  
Signature of Authorized Representative      Date

Peter Scudeller, President  
Print Name and Title

7044 Whitmore Lake Rd, Brighton, MI, 48116  
Address, City, State, Zip

310-231-5188 / p-to@fopsoninc.com  
Phone/Email Address

Questions about the Notice or the City Administrative Policy, Please contact:  
Procurement Office of the City of Ann Arbor  
(734) 794-6500

# CITY OF ANN ARBOR NON-DISCRIMINATION ORDINANCE

Relevant provisions of Chapter 112, Nondiscrimination, of the Ann Arbor City Code are included below.  
You can review the entire ordinance at [www.a2gov.org/humanrights](http://www.a2gov.org/humanrights).

**Intent:** It is the intent of the city that no individual be denied equal protection of the laws; nor shall any individual be denied the enjoyment of his or her civil or political rights or be discriminated against because of actual or perceived age, arrest record, color, disability, educational association, familial status, family responsibilities, gender expression, gender identity, genetic information, height, HIV status, marital status, national origin, political beliefs, race, religion, sex, sexual orientation, source of income, veteran status, victim of domestic violence or stalking, or weight.

**Discriminatory Employment Practices:** No person shall discriminate in the hire, employment, compensation, work classifications, conditions or terms, promotion or demotion, or termination of employment of any individual. No person shall discriminate in limiting membership, conditions of membership or termination of membership in any labor union or apprenticeship program.

**Discriminatory Effects:** No person shall adopt, enforce or employ any policy or requirement which has the effect of creating unequal opportunities according to actual or perceived age, arrest record, color, disability, educational association, familial status, family responsibilities, gender expression, gender identity, genetic information, height, HIV status, marital status, national origin, political beliefs, race, religion, sex, sexual orientation, source of income, veteran status, victim of domestic violence or stalking, or weight for an individual to obtain housing, employment or public accommodation, except for a bona fide business necessity. Such a necessity does not arise due to a mere inconvenience or because of suspected objection to such a person by neighbors, customers or other persons.

**Nondiscrimination by City Contractors:** All contractors proposing to do business with the City of Ann Arbor shall satisfy the contract compliance administrative policy adopted by the City Administrator in accordance with the guidelines of this section. All city contractors shall ensure that applicants are employed and that employees are treated during employment in a manner which provides equal employment opportunity and tends to eliminate inequality based upon any classification protected by this chapter. All contractors shall agree not to discriminate against an employee or applicant for employment with respect to hire, tenure, terms, conditions, or privileges of employment, or a matter directly or indirectly related to employment, because of any applicable protected classification. All contractors shall be required to post a copy of Ann Arbor's Non-Discrimination Ordinance at all work locations where its employees provide services under a contract with the city.

**Complaint Procedure:** If any individual believes there has been a violation of this chapter, he/she may file a complaint with the City's Human Rights Commission. The complaint must be filed within 180 calendar days from the date of the individual's knowledge of the allegedly discriminatory action or 180 calendar days from the date when the individual should have known of the allegedly discriminatory action. A complaint that is not filed within this timeframe cannot be considered by the Human Rights Commission. To file a complaint, first complete the complaint form, which is available at [www.a2gov.org/humanrights](http://www.a2gov.org/humanrights). Then submit it to the Human Rights Commission by e-mail ([hrc@a2gov.org](mailto:hrc@a2gov.org)), by mail (Ann Arbor Human Rights Commission, PO Box 8647, Ann Arbor, MI 48107), or in person (City Clerk's Office). For further information, please call the commission at 734-794-6141 or e-mail the commission at [hrc@a2gov.org](mailto:hrc@a2gov.org).

**Private Actions For Damages or Injunctive Relief:** To the extent allowed by law, an individual who is the victim of discriminatory action in violation of this chapter may bring a civil action for appropriate injunctive relief or damages or both against the person(s) who acted in violation of this chapter.

THIS IS AN OFFICIAL GOVERNMENT NOTICE AND  
MUST BE DISPLAYED WHERE EMPLOYEES CAN READILY SEE IT.



## MICHIGAN DEPARTMENT OF TRANSPORTATION CERTIFIED PAYROLL

COMPLETION OF CERTIFIED PAYROLL FORM FULFILLS THE MINIMUM MDOT PREVAILING WAGE REQUIREMENTS

(1) NAME OF CONTRACTOR / SUBCONTRACTOR (CIRCLE ONE) (2) ADDRESS

(3) PAYROLL NO. (4) FOR WEEK ENDING (5) PROJECT AND LOCATION (6) CONTRACT ID

(a)	(b)	(c)	(d) DAY AND DATE							(e)	(f)	(g)	(h)	(i)	(j) DEDUCTIONS						(k)		
			HOURS WORKED ON PROJECT												TOTAL HOURS ON PROJECT	PROJECT RATE OF PAY	PROJECT RATE OF FRINGE PAY	GROSS PROJECT EARNED	GROSS WEEKLY EARNED	TOTAL WEEKLY HOURS WORKED ALL JOBS		FICA	FEDERAL
EMPLOYEE INFORMATION	WORK CLASSIFICATION	Hour Type								0			\$0.00									\$0.00	\$0.00
NAME:										0			\$0.00									\$0.00	\$0.00
ETH#GEN: ID #:	GROUP/CLASS #:	S								0			\$0.00									\$0.00	\$0.00
NAME:										0			\$0.00									\$0.00	\$0.00
ETH#GEN: ID #:	GROUP/CLASS #:	S								0			\$0.00									\$0.00	\$0.00
NAME:										0			\$0.00									\$0.00	\$0.00
ETH#GEN: ID #:	GROUP/CLASS #:	S								0			\$0.00									\$0.00	\$0.00
NAME:										0			\$0.00									\$0.00	\$0.00
ETH#GEN: ID #:	GROUP/CLASS #:	S								0			\$0.00									\$0.00	\$0.00
NAME:										0			\$0.00									\$0.00	\$0.00
ETH#GEN: ID #:	GROUP/CLASS #:	S								0			\$0.00									\$0.00	\$0.00
NAME:										0			\$0.00									\$0.00	\$0.00
ETH#GEN: ID #:	GROUP/CLASS #:	S								0			\$0.00									\$0.00	\$0.00
NAME:										0			\$0.00									\$0.00	\$0.00

Date \_\_\_\_\_

I, \_\_\_\_\_ (Name of Signatory Party) \_\_\_\_\_ (Title)

do hereby state:

(1) That I pay or supervise the payment of the persons employed by

\_\_\_\_\_ on the \_\_\_\_\_ (Contractor or Subcontractor)  
 \_\_\_\_\_; that during the payroll period commencing on the \_\_\_\_\_ (Building or Work)  
 \_\_\_\_\_ day of \_\_\_\_\_, \_\_\_\_\_, and ending the \_\_\_\_\_ day of \_\_\_\_\_, \_\_\_\_\_,  
 all persons employed on said project have been paid the full weekly wages earned, that no rebates have been or will be made either directly or indirectly to or on behalf of said

\_\_\_\_\_ from the full \_\_\_\_\_ (Contractor or Subcontractor)

weekly wages earned by any person and that no deductions have been made either directly or indirectly from the full wages earned by any person, other than permissible deductions as defined in Regulations, Part 3 (29 C.F.R. Subtitle A), issued by the Secretary of Labor under the Copeland Act, as amended (48 Stat. 948, 63 Stat. 108, 72 Stat. 967; 76 Stat. 357; 40 U.S.C. § 3145), and described below:

\_\_\_\_\_  
 \_\_\_\_\_  
 \_\_\_\_\_  
 \_\_\_\_\_

(2) That any payrolls otherwise under this contract required to be submitted for the above period are correct and complete; that the wage rates for laborers or mechanics contained therein are not less than the applicable wage rates contained in any wage determination incorporated into the contract; that the classifications set forth therein for each laborer or mechanic conform with the work he performed.

(3) That any apprentices employed in the above period are duly registered in a bona fide apprenticeship program registered with a State apprenticeship agency recognized by the Bureau of Apprenticeship and Training, United States Department of Labor, or if no such recognized agency exists in a State, are registered with the Bureau of Apprenticeship and Training, United States Department of Labor.

(4) That:

(a) WHERE FRINGE BENEFITS ARE PAID TO APPROVED PLANS, FUNDS, OR PROGRAMS

- in addition to the basic hourly wage rates paid to each laborer or mechanic listed in the above referenced payroll, payments of fringe benefits as listed in the contract have been or will be made to appropriate programs for the benefit of such employees, except as noted in section 4(c) below.

(b) WHERE FRINGE BENEFITS ARE PAID IN CASH

- Each laborer or mechanic listed in the above referenced payroll has been paid, as indicated on the payroll, an amount not less than the sum of the applicable basic hourly wage rate plus the amount of the required fringe benefits as listed in the contract, except as noted in section 4(c) below.

(c) EXCEPTIONS

EXCEPTION (CRAFT)	EXPLANATION
REMARKS:	
NAME AND TITLE	SIGNATURE
THE WILLFUL FALSIFICATION OF ANY OF THE ABOVE STATEMENTS MAY SUBJECT THE CONTRACTOR OR SUBCONTRACTOR TO CIVIL OR CRIMINAL PROSECUTION. SEE SECTION 1001 OF TITLE 18 AND SECTION 231 OF TITLE 31 OF THE UNITED STATES CODE.	