

Marshalls

Site Plan

VICINITY MAP



SCALE: N.T.S.

SCOPE OF WORK

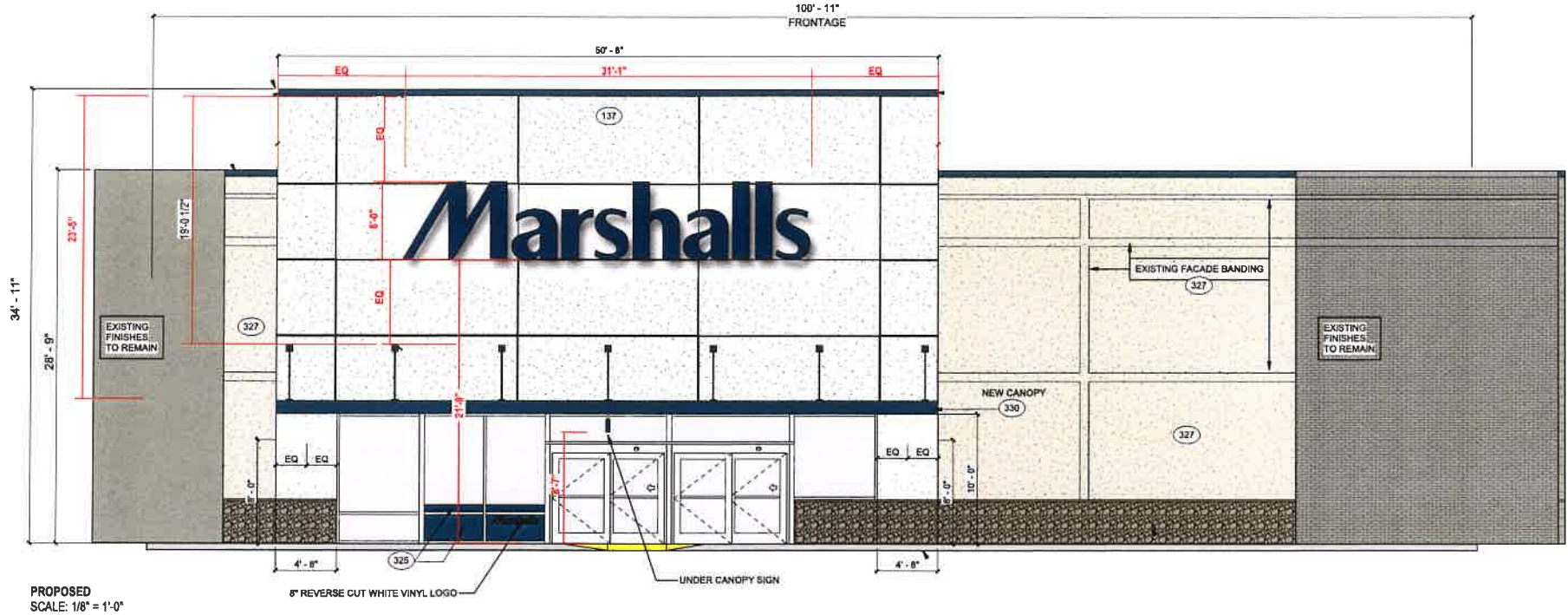
EXTERIOR SIGNS		QTY
CL.1	6'-0" FACE LIT CHANNEL LETTERS	1
		2
UC.1	D/F ILLUMINATED UNDER CANOPY SIGN	1

SIGN CODE REVIEW

Two square feet of Sign Area per linear foot of Building Frontage up to a maximum of 200 square feet of Sign Area for Permanent Signs.
 Example Only: If building frontage measures 80' ----> 80 x 2 = 160 sq ft

JONES SIGN Your Vision. Accomplished. <small>A HORTONEN COMPANY</small>	JOB #: 284505_R4 DATE: 08.10.23 DESIGNER: JM SALES/DEPT: HOUSE PROJECT MGR: E. ASSENHEIMER	REQUIRED: <input type="checkbox"/> FIELD SURVEY <input type="checkbox"/> PAINT COLOR <input type="checkbox"/> FONTS <input type="checkbox"/> VECTOR ARTWORK <input type="checkbox"/> CLIENT PMS COLOR <input type="checkbox"/> ENGINEERING OTHER:	LANDLORD APPROVAL _____ DATE _____ CLIENT APPROVAL _____ DATE _____	Marshalls US23 & Washtenaw Ave Ann Arbor, MI 41084	SHEET NUMBER <h1>3.0</h1>
	This is an original, unpublished drawing by Jones Sign Co., Inc. It is for your personal use in conjunction with a project being planned for you by JONES SIGN. It is not to be shown to anyone outside of your organization, nor is it to be used, reproduced, copied or exhibited in any fashion. Use of this design or the salient elements of this design in any sign done by any other company, without the express written permission of JONES SIGN, is forbidden by law and carries a civil forfeiture of up to 25% of the purchase price of the sign. JONES SIGN will endeavor to closely match colors, including PMS, where specified. We cannot guarantee exact matches due to varying compatibility of surface materials and paints used. All sizes and dimensions are illustrated for client's conception of project and are not to be understood as being exact size or exact scale.				

FRONT ELEVATION



JONES SIGN Your Vision. Accomplished. <small>A MORTENSON COMPANY</small>	JOB # 284505_R4 DATE 08.10.23 DESIGNED: JM SALESREP: HOUSE PROJECT: E. ASSENHEIMER	REQUIRED: <input type="checkbox"/> FIELD SURVEY <input type="checkbox"/> PAINT COLOR <input type="checkbox"/> FONTS <input type="checkbox"/> VECTOR ARTWORK <input type="checkbox"/> CLIENT PMS COLOR <input type="checkbox"/> ENGINEERING OTHER:	LANDLORD APPROVAL _____ DATE _____ CLIENT APPROVAL _____ DATE _____		US23 & Washtenaw Ave Ann Arbor, MI 41084	SHEET NUMBER 4.0
	<small>This is an original, unpublished drawing by Jones Sign Co., Inc. It is for your personal use in conjunction with a project being planned for you by JONES SIGN. It is not to be shown to anyone outside of your organization, nor is it to be used, reproduced, copied or exhibited in any fashion. Use of this design or the salient elements of this design in any sign done by any other company, without the express written permission of JONES SIGN, is forbidden by law and carries a civil forfeiture of up to 20% of the purchase price of the sign. JONES SIGN will endeavor to closely match colors, including PMS, where specified. We cannot guarantee exact matches due to varying compatibility of surface materials and paints used. All sizes and dimensions are illustrated for client's conception of project and are not to be understood as being exact size or exact scale.</small>					

CL.1 6'-0" FACE LIT CHANNEL LETTERS (Qty 1) Part# MA1CL72-373-5L

Allowable Square Footage this Elevation:	200.0
Actual Square Footage this Elevation:	141.4
Boxed Square Footage this Elevation:	189.7



FRONT VIEW
SCALE: 3/16" = 1'-0"



SIDE VIEW
SCALE: 3/16" = 1'-0"



ACTUAL SF 141.4



BOXED SF 189.7



NIGHT VIEW
SCALE: N.T.S.

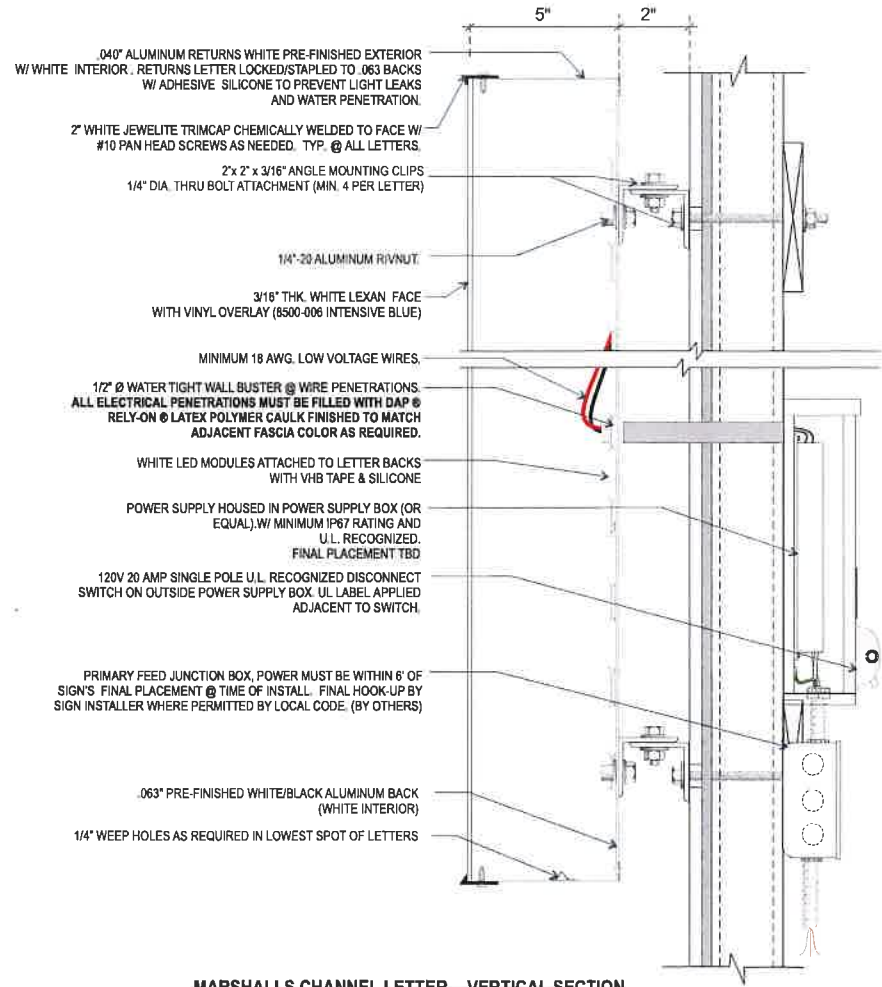
U.L. LABELS REQUIRED

THIS SIGN IS INTENDED TO BE INSTALLED IN ACCORDANCE WITH THE REQUIREMENTS OF ARTICLE 600 OF THE NATIONAL ELECTRICAL CODE AND/OR OTHER APPLICABLE LOCAL CODES. THIS INCLUDES PROPER SIZING AND BONDING OF SIGN.

NOTE:
A primary disconnect switch shall be externally located at end of sign as stated in the national electric code section 600.8. (By sign fabricator)

GENERAL NOTES:

- U.L. LISTED
- ALL ELECTRICAL WORK SHALL BE PERFORMED IN ACCORDANCE WITH "NEC" REF. SECTION 600
- ALL ELECTRICAL SIGN SECTIONS TO HAVE U.L. LABEL IN ACCORDANCE WITH "NEC" 600.3 AND MANUFACTURERS LABEL LOCATED NEXT TO DISCONNECT SWITCH
- ALL NON-CURRENT CARRYING METAL PARTS OF SIGN SHALL BE GROUNDED & BONDED IN ACCORDANCE WITH "NEC" 250
- ALL WIRING CONTAINED IN ENCLOSED AREAS WITH LAMPS SHALL BE FIXTURE RATED
- SPlicing OF CONDUCTORS SHALL BE MADE IN JUNCTION BOXES OR SIMILAR METAL ENCLOSURES
- AT THE POINT THAT ELECTRICAL CABLE PASSES THRU THE SIGN BOX, IT SHALL PASS THRU A U.L. LISTED RUBBER GROMMET
- ALL PENETRATIONS MUST BE FILLED WITH LATEX POLYMER CAULK. PAINT CAULK TO MATCH ADJACENT FASCIA COLOR AS REQUIRED



MARSHALLS CHANNEL LETTER - VERTICAL SECTION
SCALE: N.T.S.

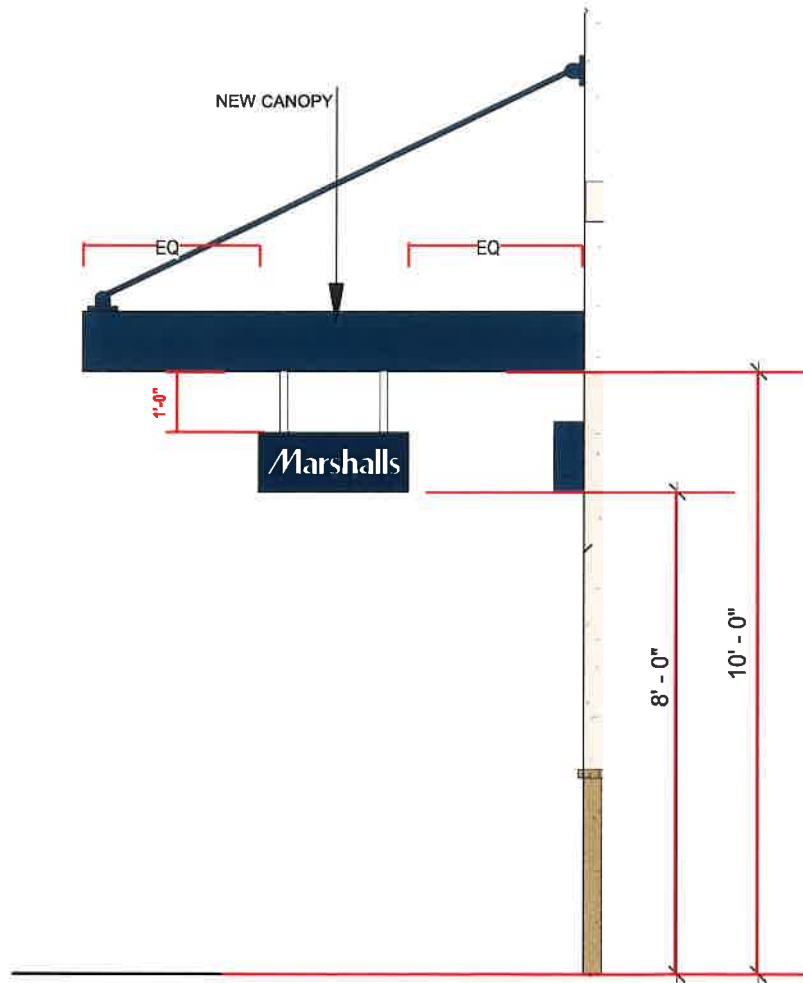
SPECIFICATIONS:	COLORS / FINISHES:
<ol style="list-style-type: none"> 150" THK. CHANNEL LETTER FACE WITH 5" RETURNS P-1 1" WHITE JEWELITE TRIM CAP 1ST SURFACE VINYL APPLIED TO CHANNEL LETTER FACE V-1 	<ul style="list-style-type: none"> M-1 .150 WHITE LEXAN P-1 WHITE V-1 8500-006 INTENSIVE BLUE OVERLAY

	JOB # 284505_R4 DATE: 08.10.23 DESIGNED: JM SALES REP: HOUSE PROJECT MGR: E. ASSENHEIMER	REQUIRED: <input type="checkbox"/> FIELD SURVEY <input type="checkbox"/> PAINT COLOR <input type="checkbox"/> FONTS <input type="checkbox"/> VECTOR ARTWORK <input type="checkbox"/> CLIENT PMS COLOR <input type="checkbox"/> ENGINEERING	LANDLORD APPROVAL _____ DATE _____ CLIENT APPROVAL _____ DATE _____		US23 & Washtenaw Ave Ann Arbor, MI 41084	SHEET NUMBER <h1>5.0</h1>
		OTHER: _____				

This is an original, unpublished drawing by Jones Sign Co., Inc. It is for your personal use in conjunction with a project being planned for you by JONES SIGN. It is not to be shown to anyone outside of your organization, nor is it to be used, reproduced, copied or exhibited in any fashion. Use of this design or the salient elements of this design in any sign done by any other company, without the express written permission of JONES SIGN, is forbidden by law and carries a civil forfeiture of up to 25% of the purchase price of the sign. JONES SIGN will endeavor to closely match colors, including PMS, where specified. We cannot guarantee exact matches due to varying compatibility of surface materials and paints used. All sizes and dimensions are illustrated for client's conception of project and are not to be understood as being exact size or exact scale.

UC.1 ILLUMINATED UNDER CANOPY (Qty 1) LOCATION TBD BY TJX PM

Square Footage 2.5

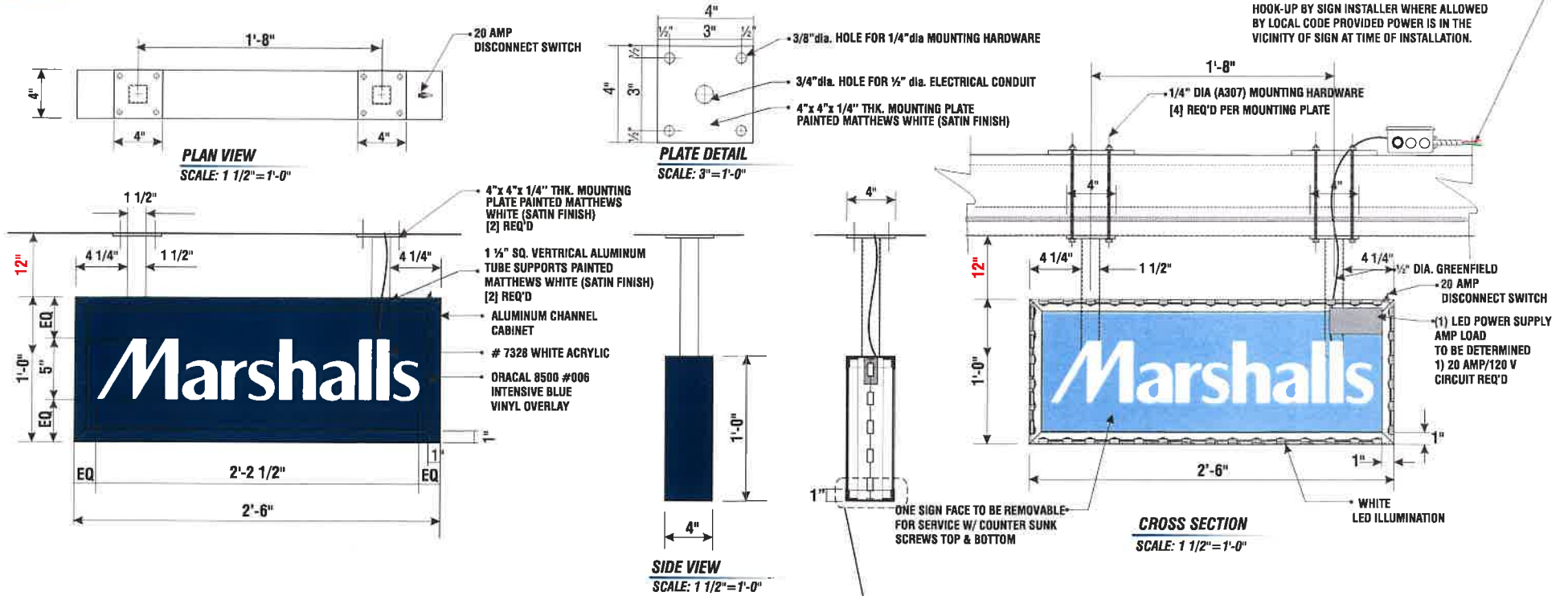


PROPOSED SIGNAGE
SCALE: 1/2" = 1'-0"

 <p>JONES SIGN Your Vision. Accomplished. <small>A HERTSMAN COMPANY</small></p>	JOB #: 284505_R4 DATE: 08.10.23 DESIGNER: JM SALES REP: HOUSE INVOICER: E. ASSENHEIMER	REQUIRED: <input type="checkbox"/> FIELD SURVEY <input type="checkbox"/> PAINT COLOR <input type="checkbox"/> FONTS <input type="checkbox"/> VECTOR ARTWORK <input type="checkbox"/> CLIENT PMS COLOR <input type="checkbox"/> ENGINEERING OTHER:	LANDLORD APPROVAL _____ DATE _____ CLIENT APPROVAL _____ DATE _____		US23 & Washtenaw Ave Ann Arbor, MI 41084	SHEET NUMBER <h1>7.0</h1>
	This is an original, unpublished drawing by Jones Sign Co., Inc. It is for your personal use in conjunction with a project being planned for you by JONES SIGN. It is not to be shown to anyone outside of your organization, nor is it to be used, reproduced, copied or exhibited in any fashion. Use of this design or the salient elements of this design in any sign done by any other company, without the express written permission of JONES SIGN, is forbidden by law and carries a civil forfeiture of up to 25% of the purchase price of the sign. JONES SIGN will endeavor to closely match colors, including PMS, where specified. We cannot guarantee exact matches due to varying compatibility of surface materials and paints used. All sizes and dimensions are illustrated for client's conception of project and are not to be understood as being exact size or exact scale.					

UC.1 ILLUMINATED UNDER CANOPY (Qty 1)

Square Footage 2.5



D/F ILLUMINATED HANGING UNDER CANOPY SIGN
SCALE: 1 1/2"=1'-0"

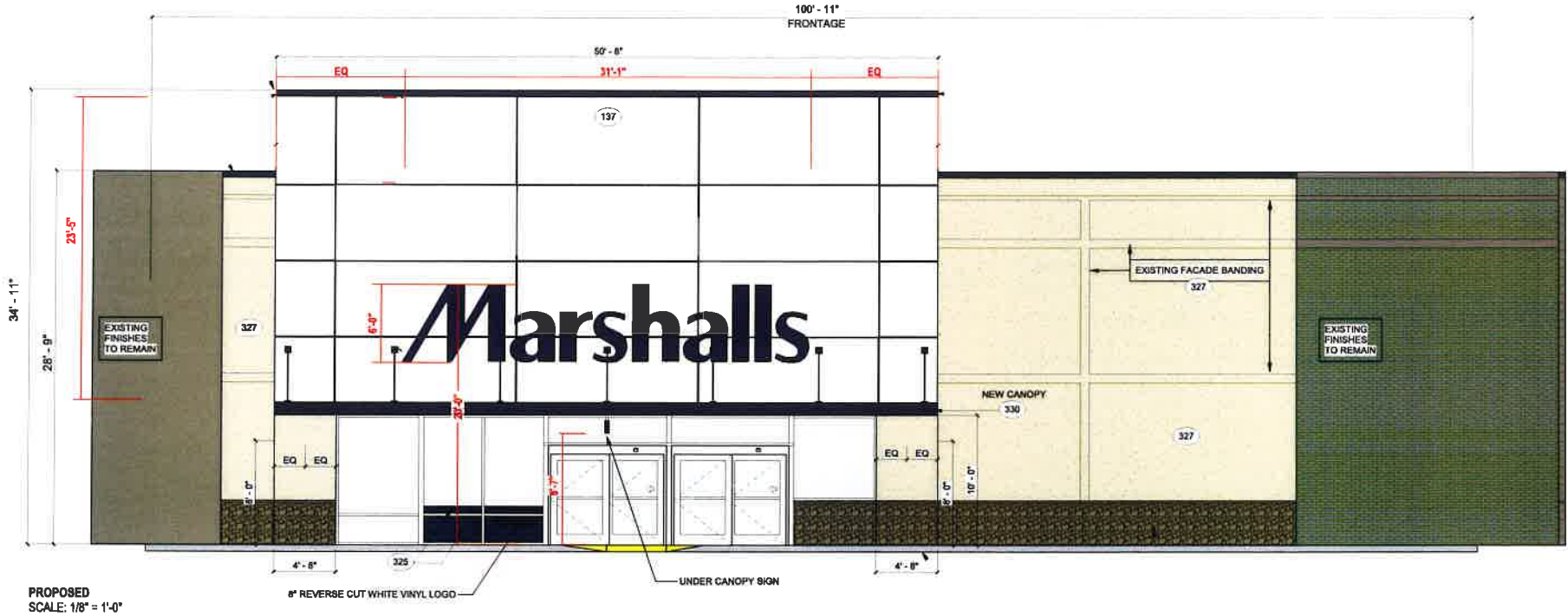
**FINAL LOCATION & HEIGHT
BASED ON
TECHNICAL SURVEY**

SPECIFICATIONS:	COLORS / FINISHES:
1. ALUM. SIGN CABINET PAINTED BLUE P-1	M-1 #7328 WHITE ACRYLIC
2. 3/16" THK. WHITE ACRYLIC FACES # 7328 W/ VINYL OVERLAY; ORACAL 8500 #006 INTENSIVE BLUE V-1	P-1 MATTHEWS BLUE ENAMEL MATCH PMS #2955C (SATIN FINISH)
3. BRIGHT WHITE LED ILLUMINATION	V-1 ORACAL SERIES #8500-006 INTENSIVE BLUE OVERLAY
4. PAINT VERTICAL SUPPORTS: MATTHEWS WHITE (SATIN FINISH)	

JONES SIGN Your Vision. Accomplished. <small>A HORTON COMPANY</small>	JOB # 284505_R4 DATE: 08.10.23 DESIGNER: JM TALK'S (H) HOUSE PROJECT: E. ASSENHEIMER	REQUIRED: <input type="checkbox"/> FIELD SURVEY <input type="checkbox"/> PAINT COLOR <input type="checkbox"/> FONTS <input type="checkbox"/> VECTOR ARTWORK <input type="checkbox"/> CLIENT PMS COLOR <input type="checkbox"/> ENGINEERING OTHER:	LANDLORD APPROVAL _____ DATE _____ CLIENT APPROVAL _____ DATE _____		US23 & Washtenaw Ave Ann Arbor, MI 41084	SHEET NUMBER 8.0
	This is an original, unpublished drawing by Jones Sign Co., Inc. It is for your personal use in conjunction with a project being planned for you by JONES SIGN. It is not to be shown to anyone outside of your organization, nor is it to be used, reproduced, copied or exhibited in any fashion. Use of this design or the salient elements of this design in any sign done by any other company, without the express written permission of JONES SIGN, is forbidden by law and carries a civil forfeiture of up to 25% of the purchase price of the sign. JONES SIGN will endeavor to closely match colors, including PMS, where specified. We cannot guarantee exact matches due to varying compatibility of suitable materials and paints used. All sizes and dimensions are illustrated for client's conception of project and are not to be understood as being exact size or exact scale.					

Example of a conforming sign 20' above grade
 - The sign would be too low

FRONT ELEVATION



JONES SIGN Your Vision. Accomplished. <small>A MORTENSON COMPANY</small>	JOB #: 284505_R6 DATE: 08.10.23 DESIGNER: JM SALES REP: HOUSE PROJ MGR: E. ASSENHEIMER	REQUIRED: <input type="checkbox"/> FIELD SURVEY <input type="checkbox"/> PAINT COLOR <input type="checkbox"/> FONTS <input type="checkbox"/> VECTOR ARTWORK <input type="checkbox"/> CLIENT PMS COLOR <input type="checkbox"/> ENGINEERING OTHER:	LANDLORD APPROVAL _____ DATE _____ CLIENT APPROVAL _____ DATE _____	Marshalls US23 & Washtenaw Ave Ann Arbor, MI 41084	SHEET NUMBER 4.0
	This is an original, unpublished drawing by Jones Sign Co., Inc. It is for your personal use in conjunction with a project being planned for you by JONES SIGN. It is not to be shown to anyone outside of your organization, nor is it to be used, reproduced, copied or exhibited in any fashion. Use of this design or the salient elements of this design in any sign done by any other company, without the express written permission of JONES SIGN, is forbidden by law and carries a civil forfeiture of up to 25% of the purchase price of the sign. JONES SIGN will endeavor to closely match colors, including PMS, where specified. We cannot guarantee exact matches due to varying compatibility of surface materials and paints used. All sizes and dimensions are illustrated for client's conception of project and are not to be understood as being exact size or exact scale.				