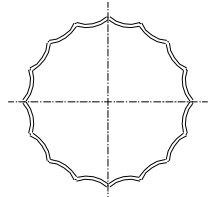
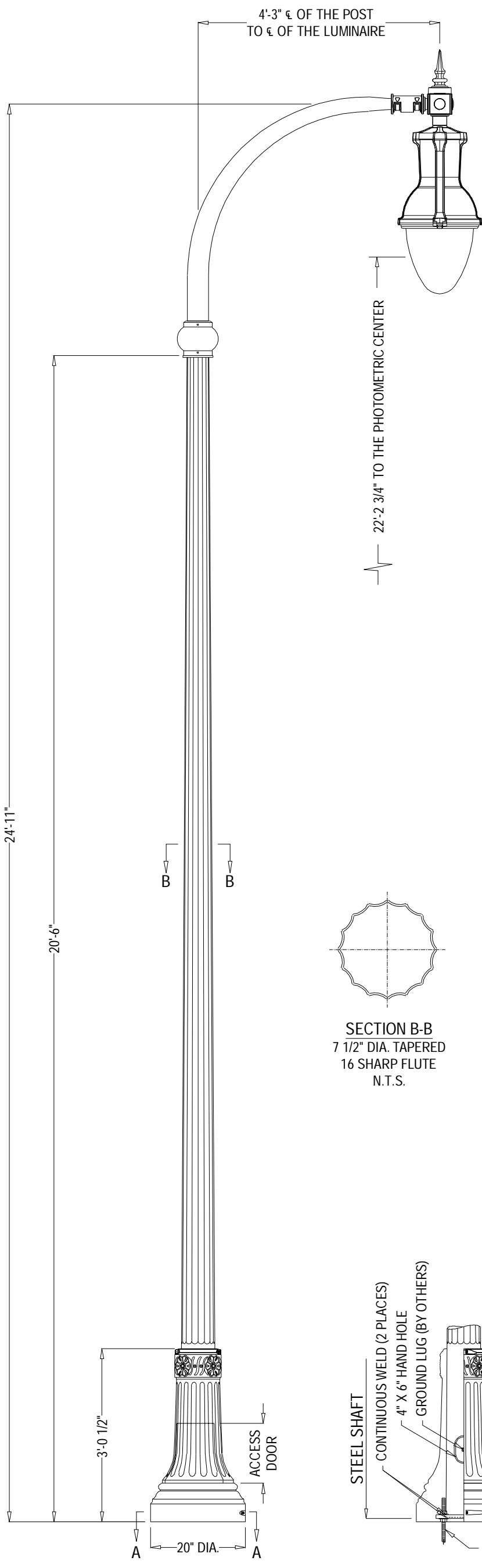
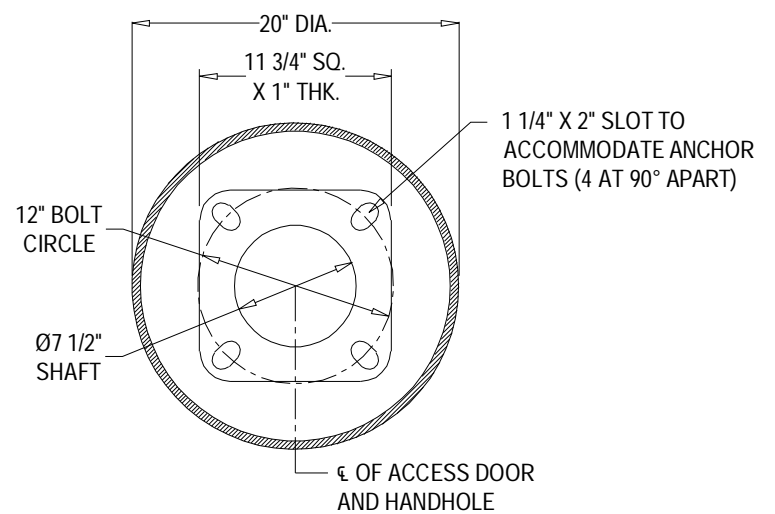


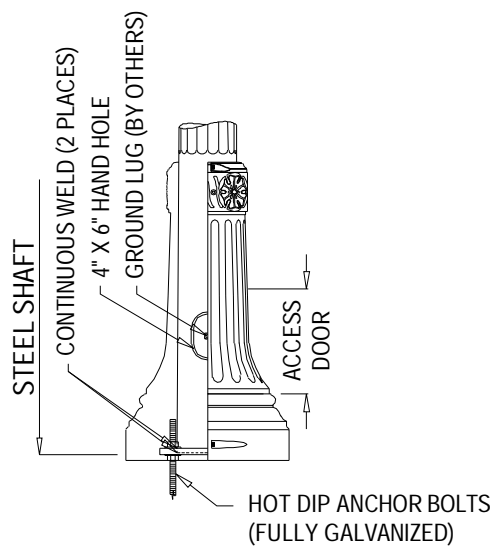
This drawing is property of Spring City Elect. Mfg. and is issued to the recipient with the understanding that it shall not be copied, duplicated, passed on to unauthorized parties, nor used for any purpose other than that for which it is specifically furnished except with Spring City's written permission.



SECTION B-B
7 1/2" DIA. TAPERED
16 SHARP FLUTE
N.T.S.



SECTION A-A
BASE DETAIL
N.T.S.



LUMINAIRE SPECIFICATIONS:

STYLE: COLUMBIA
 HEIGHT: 2'-3 7/8"
 WIDTH: 1'-5 1/8" DIAMETER
 MATERIAL: CAST ALUMINUM ALLOY ANSI 356 PER A.S.T.M. B26-95
 FINISH: POWDER COAT - SMOOTH GLOSS BLACK
 GLOBE: 140 RIBBED GLASS
 LAMPING: 80 WATTS LED SYSTEM
 VOLTAGE: ELECTRONICALLY WIRED AT 120-277 VOLTS
 OPTICS: TYPE III REFRACTIVE OPTICS (ASYMMETRIC DISTRIBUTION)
 COLOR TEMP: 3000K (WARM WHITE)
 MODIFIER: COLUMBIA LUMINAIRE ADAPTER

CATALOG NO. ALMCLU-LE080-EVX-2G2-30-CR3-GR14-LACLB-FED-CU

CROSS ARM SPECIFICATIONS:

STYLE: COLUMBIA ARM
 HEIGHT: 4'-5"
 WIDTH: 4'-3" FROM ϵ OF POST TO ϵ OF LUMINAIRE
 MATERIAL: SCH. 40 ALUMINUM PIPE AND CAST ALUMINUM ORNAMENTATION
 FINISH: POWDER COAT - SMOOTH GLOSS BLACK
 TENON: 2 3/8" DIA. X 6" HIGH


CATALOG NO.: AARCLB-1S-51-53-TN2.38/7.00-CU

SHAFT SPECIFICATIONS:

STYLE: 16 SHARP FLUTE
 HEIGHT: 20'-6"
 PHOTOMETRIC CENTER: 22'-2 3/4"
 BASE: 20" DIAMETER
 MATERIAL:
 BASE: CAST DUCTILE IRON PER A536-84 GRADE 65-45-12
 SHAFT: 11 GAUGE - 7 1/2" SHAFT O.D. STEEL TAPERED SHAFT
 FINISH:
 BASE: HOT DIPPED GALVANIZED THEN POWDER COAT - SMOOTH GLOSS BLACK
 SHAFT: GLOSS BLACK
 ACCESS DOOR: LOCATED IN BASE SECURED WITH TAMPER PROOF HEX SOCKET SECURITY MACHINE SCREWS
 GROUND STUD PROVISIONS: 1/4"-20 SQUARE NUT WELDED TO INSIDE WALL OF SHAFT OPPOSITE HAND HOLE TO ACCOMMODATE GROUND STUD (GROUND STUD SUPPLIED BY OTHER)
 ANCHOR BOLTS: 1" DIA. X 36" LONG ANCHOR BOLT WITH 6" HOOK (FULLY GALVANIZED WITH 2 GALVANIZED NUTS AND 2 GALVANIZED WASHERS PER BOLT)
 BOLT PROJECTION: 5" REQUIRED
 TENON: 3 1/2" DIA. X 8" HIGH

CATALOG NO.:
 BASE: DWBNRT-20-CU
 SHAFT: SSH6S-G11-7.50-20.50-TN3.50/8.00-GV/CU

QUANTITY 5 COMPLETE ASSEMBLIES REQUIRED
 1 SPARE FIXTURE REQUIRED
 PER S.O. # 021459

 Spring City Electrical Mfg. Co. HALL AND MAIN STREETS - P.O. BOX 19 - SPRING CITY, PA. 19475 PHONE (610) 948-4000 - FAX (610) 948-5577 - WWW.SPRINGCITY.COM			
DESCRIPTION	THE NORTHAMPTON STEEL SHAFT ASSEMBLY WITH THE COLUMBIA CROSS ARM AND THE COLUMBIA LED LUMINAIRE		
OPPORTUNITY	ANN ARBOR STADIUM BLVD 2021 (021459)		
SCALE	DRAWN BY:	DATE	DRAWING NO.
N.T.S.	J.H.P.	11-26-19	LP-32656