



# TEREX®

## CUSTOMER ORDER ACKNOWLEDGEMENT

Terex Utilities, Inc. - 3140 15th Avenue SE - Watertown, SD 57201 - Phone: 605-882-4000

Date: **1/13/2023**      Sourcewell 2022 Pricing 110421-TER  
 REV1  
 Quote Number: QU22834      Unit: LT40

**City of Ann Arbor**  
 4251 Stone School Rd  
 Ann Arbor, Michigan 48108  
 (734) 646-1846  
 Attention: CJ Stegink

**Baseline Price: \$195,779**

With selected options #1, #2, #3 which includes electric bucket operations

**Grand Total Each: \$195,779**      Total Price: \$258,343.00

This written description and attached specifications represents Terex South Dakota, INC. and shall not be released, disclosed, nor duplicated without the written permission of Terex South Dakota, INC.

Prices are subject to change until shipment. Applicable taxes and surcharges to be added. Taxes, shipping, handling and lead times are estimates and subject to change. Quoted prices are based on total package and subject to change if all items not purchased. All prices quoted are in U.S. dollars unless otherwise specified. Payment by cash or certified check only. Chassis price based off current pricing available at time of quote. Pricing is subject to change based on vehicle sourcing; final price to be confirmed prior to time of invoice. Quote withdrawn after 30 days.

Please ensure the accuracy of the specifications and drawings you provide. Changes made after receipt of order may incur additional charges. If you are trading equipment in, you warrant that: You have good title to the trade-in; it is free of all liens and encumbrances; all information you have provided related to the trade-in is true and correct.

Terex purchased chassis through Terex preferred International Dealer will include at no additional cost a special tow package for 12 months/unlimited mileage to nearest International Dealership for a warrantable failure. Coverage limited to \$550 per incident. Roadside assistance call 1-800-448-7825

Terex purchased chassis through Terex preferred Freightliner Dealer will include at no additional cost a special tow package for 12 months/unlimited mileage/KM extended towing coverage \$550 cap FEX applies. Roadside assistance call 1-800-FTL-HELP

**Notes:**

- 1) Delivery Terms are: CPT Destination
- 2) Terms: Net 30 days
- 3) Delivery days from receipt of order shall be 480/770

**Buyer hereby agrees to purchase the products in this quotation, subject to acceptance by Seller. Buyer has read and agrees to Seller's Terms and Conditions of Sale.**

Terex Utilities Inc.

*Nathan Weber*  
Sales Coordinator

*Al Owen*  
Account Manager

**⚠️WARNING** Cancer and Reproductive Harm  
www.P65Warnings.ca.gov.

Accepted By: \_\_\_\_\_

PO Number: \_\_\_\_\_


Quantity: \_\_\_\_\_

Grand Total: \_\_\_\_\_

Date: \_\_\_\_\_

## Options

<b>Date</b>	1/18/23
<b>Quote(s) #</b>	QU22834
<b>Customer Name</b>	City of Ann Arbor
<b>Customer PO #</b>	

No.	Description	Selling Price	Options:
1	Viatic 7.2 System	\$53,709	<input type="checkbox"/> Add Option
2	Extended aerial device warranty, five (5) year, in lieu of standard one year warranty for Terex South Dakota, Inc. installed unit.	\$4,200	<input type="checkbox"/> Add Option
3	The first 90 days of travel are included with a new installed unit, this is the remainder of the five years with the LT40 to this working location. City of Ann Arbor 4251 Stone School Rd ANN ARBOR, MICHIGAN 48108	\$4,655	<input type="checkbox"/> Add Option
4		\$0	<input type="checkbox"/> Add Option
5		\$0	<input type="checkbox"/> Add Option
6		\$0	<input type="checkbox"/> Add Option
7		\$0	<input type="checkbox"/> Add Option
8		\$0	<input type="checkbox"/> Add Option
9		\$0	<input type="checkbox"/> Add Option
10		\$0	<input type="checkbox"/> Add Option
11		\$0	<input type="checkbox"/> Add Option
		Total:	<input type="checkbox"/> Add Option

**TERMS AND CONDITIONS OF SALE**  
**TEREX SOUTH DAKOTA, INC./TEREX UTILITIES, INC.**  
**U.S. and CANADA (except Quebec)**

**1. Terms and Conditions.** The provision by Seller to Buyer of any Equipment or Parts (collectively referred to as “Products”) shall be exclusively governed by these Terms and Conditions of Sale (“Terms and Conditions”) and Seller’s sales order acknowledgement (collectively referred to as “Agreement”). This Agreement cancels and supersedes any and all terms and conditions previously issued by Seller and shall remain in effect unless and until superseded in writing by Seller. Acceptance of an order for Products by Seller shall be deemed to constitute a binding agreement between the parties pursuant to these Terms and Conditions and Buyer agrees that the order may not thereafter be countermanded or otherwise changed without the explicit prior written consent of Seller. No other terms and conditions shall apply, including the terms of any purchase order submitted to Seller by Buyer, whether or not objected to by Seller or whether or not such terms are inconsistent or conflict with or are in addition to these Terms and Conditions. These Terms and Conditions shall be deemed accepted by Buyer if any of the following occurs: (i) if confirmed by Buyer, (ii) if undisputed by Buyer within ten (10) days after receipt, or (iii) if Seller delivers Products to Buyer. Any communication construed as an offer by Seller and acceptance thereof is expressly limited to these Terms and Conditions. The Products are intended for industrial/commercial use by professional contractors and their trained employees and are not intended for use by consumers.

**2. Terms of Payments.** Payment for Products purchased by Buyer shall be made in accordance with any of the following terms, provided they have been previously arranged with and expressly approved by Seller in writing: (1) cash in advance; (2) confirmed, irrevocable letter of credit established in such amount and form and at such time and at such bank as shall be approved by Seller in respect of each order; (3) credit account purchases for which payment will be due and payable on net thirty (30) day terms, plus service and other charges applicable to past due amounts in accordance with Seller’s written notices; or (4) other payment arrangements expressly approved by Seller in writing prior to or at the time the order is placed. If any Buyer credit account purchase is not paid in accordance with Seller’s credit payment terms, in addition to any other remedies allowed in equity or by law, Seller may refuse to make further shipments without advance payment by Buyer. Nothing contained herein shall be construed as requiring Seller to sell any Products to Buyer on credit terms at any time, or prohibiting Seller from making any and all credit decisions which it, in its sole discretion, deems appropriate for Seller. Seller shall have the right, at its option, to charge interest on all amounts not paid when due and Buyer agrees to pay such interest calculated on a daily basis, from the date that payment was due until the Seller receives payment in full, at the rate of 1.5% per month or the maximum rate permitted by applicable law. Unless otherwise agreed in writing between Seller and Buyer, Seller may, in its sole discretion, increase or decrease the price of any Product, as Seller deems reasonably necessary, at any time prior to shipment and invoice Buyer for the same. If Buyer orders the chassis through Seller, the chassis payment is due upon receipt of chassis by Seller and the balance owed for the completed unit is due in accordance with agreed upon payment terms. When supplied by Buyer, Seller will inspect the chassis upon receipt and will notify Buyer of any chassis mounted components (including but not limited to fuel tanks, air tanks, battery boxes and exhaust systems) that require relocation. Buyer will be invoiced for such work upon completion of the finished Equipment.

**3. Taxes and Duties.** Unless otherwise noted, prices quoted do not include taxes or duties of any kind or nature. Buyer agrees that it will be responsible for filing all tax returns and paying applicable tax, duty, export preparation charge and export documentation charge resulting from the purchase of the Products. In addition, in the event any other similar tax is determined to apply to Buyer’s purchase of the Products from Seller, Buyer agrees to indemnify and hold Seller harmless from and against any and all such other similar taxes, duties and fees. All prices quoted are U.S. dollars unless otherwise specified. The amount of any present or future taxes applicable to the sale, transfer, lease or use of the Products shall be paid by Buyer; or in lieu thereof, Buyer shall provide Seller with a tax exemption certificate satisfactory to the applicable taxing authority proving that no such tax is due and payable upon such sale, transfer, lease or use.

**4. Title, Property, Risk and Delivery.** Unless otherwise stated in writing, for all intra-continental United States shipments, all prices and delivery are FCA, point of manufacture (Incoterms 2020); for all other shipments, all prices and delivery are FAS, named port of shipment (Incoterms 2020). Title and all risk of loss or damage to Products shall pass to Buyer upon delivery, as per Incoterms 2020. Any claims for loss, damage or delay in transit must be entered and prosecuted by the Buyer directly with the carrier, who is hereby declared to be the agent of the Buyer. Seller shall not be liable for any delay in performance of this agreement or delivery of the Products, or for any damages suffered by Buyer by reason of delay, when the delay is caused, directly or indirectly, by a force majeure event described in Section 20 herein or any other cause beyond Seller’s control. Claims for shortages in shipments shall be deemed waived and released by Buyer unless made in writing within five (5) days after Buyer’s receipt of shipment. Seller’s responsibility for shipment shall cease upon delivery of the Products to the place of shipment, and all claims occurring thereafter shall be made to or against the carrier by Buyer. Delivery shall generally be 240 to 270 days after receipt by Seller of a signed Order, provided that, where applicable: (1) Seller receives the chassis a minimum of 90 days prior to scheduled delivery, (2) drawings are timely sent by Buyer and the approved drawings are returned to Seller by Buyer by the requested date, (3) all vendor-supplied components and Buyer-supplied accessories are received by Seller by the date necessary to comply with scheduled delivery. Seller shall not be liable for any delay in performance of this agreement or delivery of the Products, or for any damages suffered by Buyer by reason of delay, when the delay is caused, directly or indirectly, by a force majeure event described in Section 20 herein or any other cause beyond

Seller's control. Claims for shortages in shipments shall be deemed waived and released by Buyer unless made in writing within fifteen (15) days after Buyer's receipt of shipment. Seller's responsibility for shipment shall cease upon delivery of the Parts and or Equipment to the place of shipment, and all claims occurring thereafter shall be made to or against the carrier by Buyer.

**5. Delays Caused By Buyer.** In the event of a delay in shipment or delivery due to delay by Buyer in furnishing delivery instructions, arranging a method of payment satisfactory to Seller, submitting valid import permits or licenses, or any other delay caused by Buyer or at Buyer's request, if the Products are not shipped or delivered within five (5) days from the first date they are ready to be shipped or delivered, then Seller shall be entitled to charge, as compensation, any additional costs incurred related to such delay. If the Products are not shipped or delivered by the date which is ten (10) days from the first date they are ready to be shipped or delivered, then Buyer's order shall be deemed cancelled and Seller may, in its sole discretion, sell such Products to another buyer without any liability or responsibility to Buyer whatsoever. Seller shall have the right to keep payments on account already received from Buyer, and the difference between the sales price (increased by any other and all further costs, including but not limited to attorney's fees and expenses, storage and other costs, and interest accrued thereon) and the price received from another buyer shall constitute a debt of Buyer and bear interest at the same rate set forth in Section 2 herein. Seller shall be entitled to claim for any further damages suffered as a consequence of Buyer's breach of its obligations hereunder.

**6. Cancellation.** Prior to delivery to place of shipment, a Product order may be cancelled only with Seller's prior consent and upon terms indemnifying Seller from all resulting losses and damages. Seller shall have the right to cancel and refuse to complete a Product order if any term and/or condition governing this agreement is not complied with by Buyer. In the event of cancellation by Seller, or in the event Seller consents to a request by Buyer to stop work or to cancel the whole or any part of any order, Buyer shall, in the event that Seller asks Buyer to do so, make reimbursement to Seller, as follows: (i) any and all work that can be completed within thirty (30) days from date of notification to stop work on account of cancellation shall be completed, shipped and paid in full; and (ii) for work in progress and any materials and supplies procured or for which definite commitments have been made by Seller in connection with the order, Buyer shall pay such sums as may be required to fully compensate Seller for actual costs incurred, plus fifteen percent (15%). Buyer may not cancel any order after Seller's delivery to place of shipment. Orders for "Special" Equipment may not be cancelled after acceptance, except by Seller. Items of "Special" Equipment are those that differ from standard Seller specifications, have a limited market, or incorporate specifications that have been determined for a specific application. Determination of whether an item of Equipment is "Special" shall be made by Seller in its sole discretion.

**7. Inspection and Acceptance.** Buyer agrees that it shall inspect the Products immediately after receipt and promptly (in no event later than fifteen (15) days after receipt) notify Seller in writing of any non-conformity or defect. Buyer further agrees that failure to give such prompt notice or the commercial use of the Products shall constitute acceptance. Acceptance shall be final and Buyer waives the right to revoke acceptance for any reason, whether or not known by Buyer at the time of such acceptance. The giving of any such notice by Buyer shall automatically cause the provisions of Seller's warranty to apply and govern the rights, obligations and liabilities of the parties with respect to such nonconformity or defect, provided under no circumstances shall rejection give rise to any liability of Seller for incidental or consequential damages or losses of any kind. Seller shall not be bound by any agent's, employee's or any other representation, promise or inducement not set forth herein. Seller's catalogues, technical circulars, price lists, illustrations, drawings and any other similar literature are for Buyer's general guidance only and the particulars contained in them shall not constitute representations by Seller and Seller shall not be bound by them.

**8. Warranty for New Products.** Seller warrants its new Equipment and Parts manufactured and sold worldwide, to be free, under normal use and service, of any defects in material or workmanship for a period of twelve (12) months from the date of delivery (as limited by Seller's Limited Product Warranty); provided that Buyer sends Seller written notice of the defect within thirty (30) days of its discovery and establishes that: (i) the Equipment has been operated and maintained in strict compliance with Seller's operating and maintenance manuals ; and (ii) the defect did not result in any manner from the intentional or negligent action or inaction of Buyer, its agents or employees and (2) a new machine registration certificate has been completed, signed and delivered to the Seller within thirty (30) days of the Equipment's "in-service" date. If requested by Seller, Buyer must return any defective Product to Seller's manufacturing facility, or other location designated by Seller, for inspection, and if Buyer cannot establish that conditions (i) and (ii) above have been met, then this warranty shall not cover the alleged defect. Failure to give written notice of defect within such period shall be a waiver of this warranty and any assistance rendered thereafter shall not extend or revive it. Accessories, assemblies and components included in the Products of Seller, which are not manufactured by Seller, are subject to the warranty of their respective manufacturers. This warranty shall not cover any item on which serial numbers have been altered, defaced or removed. Maintenance and wear parts are not covered by this warranty and are the sole maintenance responsibility of Buyer. This warranty is limited to the original purchaser or end-user if sold to a distributor, and is not assignable or otherwise transferable without written agreement of Seller. **THIS WARRANTY IS EXPRESSLY IN LIEU OF AND EXCLUDES ALL OTHER WARRANTIES, EXPRESS OR IMPLIED (INCLUDING THE WARRANTIES OF MERCHANTABILITY AND FITNESS FOR A PARTICULAR PURPOSE) AND ALL OTHER OBLIGATIONS OR LIABILITY ON SELLER'S PART. THERE ARE NO WARRANTIES THAT EXTEND BEYOND THE LIMITED WARRANTY CONTAINED HEREIN.** Seller neither assumes nor authorizes any other person to assume for Seller any other liability in connection with the sale of Seller's Products. This

warranty shall not apply to any of Seller's Products or any part thereof which has been subject to misuse, alteration, abuse, negligence, accident, acts of God or sabotage. No action by either party shall operate to extend or revive this limited warranty without prior written consent of Seller.

**9. Warranty for Used Equipment.** Used Equipment sold hereunder is sold on an "AS IS, WHERE IS, WITH ALL FAULTS" BASIS WITH NO WARRANTIES WHATSOEVER, EXCEPT AS TO TITLE, UNLESS OTHERWISE SPECIFICALLY AGREED IN WRITING BY BUYER AND SELLER. SELLER ASSUMES NO RESPONSIBILITY FOR THE CONDITION, SAFETY, LEGAL COMPLIANCE, OR USABILITY OF THE USED EQUIPMENT AND MAKES NO REPRESENTATION OR WARRANTY, EXPRESS OR IMPLIED, WITH RESPECT TO THE USED EQUIPMENT INCLUDING, WITHOUT LIMITATION, ANY IMPLIED WARRANTY OF MERCHANTABILITY OR FITNESS FOR A PARTICULAR PURPOSE. SELLER MAKES NO REPRESENTATION OR WARRANTY REGARDING THE CONDITION OF THE USED EQUIPMENT, NOR THE SUFFICIENCY OF ANY WARNINGS, INSTRUCTIONS OR MANUALS PROVIDED WITH THE USED EQUIPMENT. Seller recommends and Buyer acknowledges that Buyer should contact the original manufacturer to obtain all available information for the used Equipment, including but not limited to product manuals, warnings, safety bulletins, recall notices, and instructional placards before using the used Equipment. Seller shall not be responsible for providing such information. Buyer agrees not to assert any claims against Seller with respect to the used Equipment or its use. Buyer agrees that it shall inspect the used Equipment prior to issuance of a purchase order for such Equipment and acknowledges that it is not relying upon any photographs, images, videos, representations, statements or other assertions made by Seller with respect to the used Equipment's condition, but is relying upon its own knowledge and/or inspection of the used Equipment.

**10. Remedies for Breach.** IN THE EVENT OF ANY BREACH OF THE WARRANTY BY SELLER, THE PARTIES AGREE THAT SELLER'S LIABILITY SHALL BE LIMITED EXCLUSIVELY TO THE REMEDIES OF REPAIR OR REPLACEMENT (AT SELLER'S SOLE DISCRETION) OF ANY DEFECTIVE EQUIPMENT COVERED BY THE WARRANTY. In no event shall any repair or replacement of any defective equipment covered by the Seller's warranty extend the length of the warranty beyond the period specified in Section 8 herein.

**11. Limitation of Liability.** NOTWITHSTANDING ANYTHING CONTAINED IN THIS AGREEMENT TO THE CONTRARY, SELLER AND ITS AFFILIATES SHALL NOT BE LIABLE FOR, AND SPECIFICALLY DISCLAIM, ANY LIABILITY FOR ANY: (A) LOST PROFITS AND/OR BUSINESS INTERRUPTION (WHETHER DIRECT OR INDIRECT); AND (B) INDIRECT, INCIDENTAL, CONSEQUENTIAL (WHETHER DIRECT OR INDIRECT) OR OTHER DAMAGES OR LOSSES OF ANY KIND WHATSOEVER, including, without limitation, labor costs, lost profits, loss of use of other equipment, third party repairs, personal injury, emotional or mental distress, improper performance or work, penalties of any kind, loss of service of personnel, or failure of Products to comply with any federal, state, provincial or local laws, regardless of whether arising from a breach of contract, or warranty, legal claims or otherwise. **Nothing in this Section shall operate to exclude Seller's liability for death or personal injury when directly related to Seller's negligent act or omission.**

**12. Limitation of Actions.** Any action for breach of this agreement must be commenced within one (1) year after the cause of action has accrued.

**13. Specification Changes.** In the event Seller incurs additional expense because of changes in specifications or drawings previously approved by Buyer, or in the event Seller is required to modify the ordered Equipment, perform any additional work or supply any additional Products, the additional expense shall be added to the purchase price. Buyer must submit to Seller a revised purchase order specifying any and all requested changes. Upon receipt of Buyer's revised purchase order, Seller shall have the right, in its sole discretion, to accept or reject any changes in specifications requested by Buyer.

**14. Trade-in Offers.** Trade-in offers are subject to Seller's inspection and acceptance of the equipment, which must have been maintained to U.S. Department of Transportation operating and safety standards. All accessories on the equipment, including without limitation jibs, winches, pintle hooks and trailer connectors, must remain with the equipment unless otherwise agreed by Seller and Buyer in writing. Seller reserves the right to cancel any trade-in offers or agreements if these conditions are not met, or if Buyer has misrepresented any information about the trade-in unit.

**15. Insurance.** Until the purchase price of any Products is paid in full, the Buyer shall provide and maintain insurance equal to the total value of the Equipment delivered hereunder against customary casualties and risks; including, but not limited to fire and explosion, and shall also insure against liability for accidents and injuries to the public or to employees, in the names of Seller and Buyer as their interest may appear, and in an amount satisfactory to Seller. If the Buyer fails to provide such insurance, it then becomes the Buyer's responsibility to notify the Seller so that the Seller may provide same; and the cost thereof shall be added to the contract price. All loss resulting from the failure to affect such insurance shall be assumed by the Buyer.

**16. Patents, Copyrights, Trademarks, Confidentiality.** No license or other rights under any patents, copyrights or trademarks owned or controlled by Seller or under which Seller is licensed are granted to Buyer or implied by the sale of Products hereunder. Buyer shall not identify as genuine products of Seller products purchased hereunder which Buyer has treated, modified or altered in any way, nor shall Buyer use Seller's trademarks to identify such products; provided, however, that Buyer may identify such products as utilizing, containing or having been manufactured from genuine products



of Seller as treated, modified or altered by Buyer or Buyer's representative, upon prior written approval of Seller. All plans, photographs, designs, drawings, blueprints, manuals, specifications and other documents relating to the business of Seller ("Information") shall be and remain the exclusive property of Seller and shall be treated by Buyer as confidential information and not disclosed, given, loaned, exhibited, sold or transferred to any third party without Seller's prior written approval; provided, however, that these restrictions shall not apply to Information that Buyer can demonstrate: (a) at the time of disclosure, is generally known to the public other than as a result of a breach of this Agreement by Buyer; or (b) is already in Buyer's possession at the time of disclosure by from a third party having a right to impart such Information.

**17. Default and Seller's Remedies.** In the event of default by Buyer, all unpaid sums and installments owed to Seller, shall, at Seller's sole option, become immediately due and payable without notice of any kind to Buyer. In addition to its right of acceleration, Seller may pursue any and all remedies allowed by law or in equity, including but not limited to any and all remedies available to it under the Delaware Uniform Commercial Code. In addition to the foregoing, and not in limitation thereof, Seller shall have the right to set off any credits or amounts owed to Buyer against any amounts owed by Buyer to Seller.

**18. Indemnification by Buyer.** Buyer hereby agrees to indemnify, release, defend and hold harmless Seller, its directors, officers, employees, agents, representatives, successors, and assigns against any and all suits, actions or proceedings at law or in equity (including the costs, expenses and reasonable attorney's fees incurred in connection with the defense of any such matter) and from any and all claims demands, losses, judgments, damages, costs, expenses or liabilities, to any person whatsoever (including Buyer's and Seller's employees or any third party), or damage to any property (including Buyer's property) arising out of or in any way connected with the performance or the furnishing of Products under this agreement, regardless of whether any act, omission, negligence (including any act, omission or negligence, relating to the manufacture, design, repair, erection, service or installation of or warnings made or lack thereof with respect to any Products furnished hereunder) of Seller, its directors, officers, employees, agents, representatives, successors or assigns caused or contributed thereto. If Buyer fails to fulfill any of its obligations under this paragraph or this agreement, Buyer agrees to pay Seller all costs, expenses and attorney's fees incurred by Seller to establish or enforce Seller's rights. The provisions of this paragraph are in addition to any other rights or obligations set forth in this agreement.

**19. Installation.** Unless otherwise expressly agreed in writing, Buyer shall be solely responsible for the installation and erection of the Products purchased. Although Seller may in some cases provide a serviceman, data and drawings to aid Buyer with installation or start-up, Seller assumes no responsibility for proper installation or support of any Products when installed and disclaims any express or implied warranties with respect to such installation and support. Notwithstanding whether data and drawings are provided or a serviceman aids in the installation, Buyer shall indemnify and hold Seller harmless and at Seller's request, defend Seller from all claims, demands or legal proceedings (including the costs, expenses and reasonable attorney's fees incurred in connection with the defense of any such matter) which may be made or brought against Seller in connection with damage or personal injury arising out of said installation or start-up.

**20. Force Majeure.** Seller shall not be liable to Buyer or be deemed to be in breach of this agreement by reason of any delay in performing, or any failure to perform, any of Seller's obligations in relation to the Products if the delay or failure was due to any cause beyond the reasonable control of Seller including (without limitation) strike, lockout, riot, civil commotion, fire, accident, explosion, tempest, act of God, war, epidemic, stoppage of transport, terrorist activity, supply shortage or changes in government, governmental agency, laws, regulations or administrative practices.

**21. Anti-Corruption; Export Controls; No Boycotts.** Buyer agrees that it shall, and that any party retained or paid by the Buyer ("Retained Party") shall, comply with all applicable laws including, but not limited to, laws prohibiting public corruption and commercial bribery. Buyer further agrees that it shall, and that any Retained Party shall, comply with all applicable export controls, economic sanctions, embargoes and regulations regarding the export, re-export, shipment, distribution and/or sale of Products, technology, information or warranty related services. Buyer further agrees that it shall not, and any Retained Party shall not, export or re-export Products, technology, information or warranty related services directly or with its knowledge indirectly into Iran, Sudan, Cuba, Syria, North Korea, the Crimea Region of the Ukraine or Russia without Buyer first obtaining written approval from Seller. Failure to comply strictly with this section and all applicable laws, regulations and licensing/approval requirements shall be grounds for immediate termination of this agreement by Seller. Notwithstanding anything to the contrary contained in any agreement between the Buyer and Seller or in any other document or agreement relating to the Products sold hereunder, Seller will not comply with requests related to the boycott of any country or other jurisdiction, except to the extent such boycott is required by or otherwise not inconsistent with United States law.

**22. Telematics.** If a telematics system is included with the Equipment, the telematics system is administered by a third party ("Teleservice Provider") and collects a range of operational data about the Equipment including, but not limited to, usage, performance and reliability. Buyer consents to Seller's obtaining such data from the Teleservice Provider for warranty, product improvement, marketing and customer support purposes and to Seller's management and reporting of data (personal and non-personal) about the Equipment including, but not limited to, fuel consumption, up/down times, operation, defects, parts replacement, movement and location. Buyer shall, to the extent required by applicable law, obtain consent from its customers and/or any third party for Seller and/or third parties to provide teleservices and data to Buyer. Buyer shall

comply with all applicable laws relating to the provision of teleservices. Buyer agrees to be bound by the current version of the Terex Telematics Terms of Use at <https://www.terex.com/en/products/telematics-tou>.

**23. Construction and Severability.** These Terms and Conditions of Sale constitute the entire agreement between the parties regarding the subject matter hereof and shall be construed and enforced in accordance with the laws of Delaware. The United Nations Convention on Contracts for the International Sale of Goods (1980) (CISG) shall not apply. The invalidity or unenforceability of any provisions of this agreement shall not affect any other provision and this agreement shall be construed in all respects as if such invalid or unenforceable provision were omitted.

**24. Jurisdiction.** The parties agree that the proper and exclusive forum and venue in all legal actions brought to enforce or construe any provisions herein shall be in United States District Court, District of Delaware or, if federal jurisdiction is lacking in such action, in New Castle County Superior Court in Delaware.

**25. No Assignment.** No rights arising under this agreement may be assigned by the Buyer unless expressly agreed to in writing by the Seller.

**26. No Set-off.** Buyer shall have no right to set-off any amounts it may owe Seller against amounts Seller may owe Buyer under this or any other agreement between Buyer and Seller.

**27. Miscellaneous.** Buyer represents that: (i) it is solvent and has the financial ability to pay for the Equipment and Parts purchased hereunder and (ii) it has all requisite right, power and authority to perform its obligations under this agreement.

Buyer's Initials: \_\_\_\_\_



## LIMITED PRODUCT WARRANTY

**TEREX Utilities, Inc. and TEREX South Dakota, Inc.** (each a "Seller"), as to the equipment manufactured by each respective company, warrants its new equipment and parts manufactured and sold worldwide to be free, under normal use and service, of any defects in manufacture or materials for a period of **12 months from date of delivery to the first end user, but in no event longer than 18 months from date of shipment from the factory**; provided that (1) Seller receives written notice of the defect within thirty (30) days of its discovery and Buyer establishes that (i) the equipment has been maintained and operated within the limits of rated and normal usage; and (ii) the defect did not result in any manner from the intentional or negligent action or inaction by Buyer, its agents or employees, and (2) a new machine registration certificate has been completed and received by Seller within thirty (30) days of the equipment's "in-service" date. If requested by Seller, Buyer must return the defective equipment to Seller's manufacturing facility, or other location designated by Seller, for inspection, and if Buyer cannot establish that conditions (1) (i) and (1) (ii) above have been met, then this warranty shall not cover the alleged defect.

Seller's obligation and liability under this warranty is expressly limited to, at Seller's sole option, repairing or replacing, with new or remanufactured parts or components, any part which appears to Seller upon inspection to have been defective in material or workmanship. Such parts shall be provided at no cost to the owner, FOB Seller's parts facility (Incoterms 2010). If requested by Seller, components or parts for which a warranty claim is made shall be returned to Seller at a location designated by Seller. All components and parts replaced under this warranty become the property of Seller. This warranty shall be null and void if parts (including wear parts) or attachments other than genuine OEM Seller parts or approved attachments are used in or attached to the equipment.

Accessories, assemblies and components included in Seller's equipment, which are not manufactured by Seller, are subject to the warranty of their respective manufacturers. Normal maintenance, adjustments, or maintenance/wear parts, are not covered by this warranty and are the sole maintenance responsibility of Buyer.

The following structural members have a lifetime parts only warranty for the original Buyer after date of shipment from Seller: sub frame, pedestal, turntable, and boom. Replacement of fiberglass jibs, seals, gaskets, hoses, and exterior coating is not covered under the lifetime warranty. The lifetime warranty requires an annual service inspection of the equipment by an authorized distributor of Seller. The sub frame, pedestal, turntable, and boom shall have a 5 year parts only warranty if the annual service inspection is performed by an approved entity other than an authorized distributor of Seller. All replacement parts must be genuine OEM Seller parts.

**SELLER MAKES NO OTHER WARRANTY, EXPRESS OR IMPLIED, AND MAKES NO WARRANTY OF MERCHANTABILITY OR FITNESS FOR ANY PARTICULAR PURPOSE, AS TO THE EQUIPMENT AND PARTS IT SUPPLIES.**

No employee or representative of Seller is authorized to modify this warranty unless such modification is made in writing and signed by an authorized officer of Seller. Seller's warranty is continuous for the stated period, and "stopping and restarting" such period is not permitted.

Seller's obligation under this warranty shall not include duty, taxes, environmental fees, including without limitation, disposal or handling of tires, batteries, petrochemical items, or any other charges whatsoever. Seller shall not be liable for indirect, incidental, or consequential damages, even if advised of the possibility of such damages.

Improper maintenance, improper use, abuse, improper storage, operation beyond rated capacity, operation after discovery of defective or worn parts, accident, sabotage or alteration or repair of the equipment by persons not authorized by Seller shall render this warranty null and void. Seller reserves the right to inspect the installation of the product and review maintenance procedures to determine if the failure is covered under this warranty.

**Parts Warranty:** Seller warrants the parts ordered from the Seller to be free of defects in materials or workmanship for either (1) a period of 12 months after date of shipment from the factory, or (2) the balance of the remaining new equipment warranty, whichever occurs first. With respect to parts ordered from Seller for equipment for which the warranty has expired, Seller warrants such parts to be free of defects in materials or workmanship for a period of 12 months after date of shipment from the factory.

**NO TRANSFERABILITY OF WARRANTY:** This warranty is limited to the original purchaser or original end-user if sold to a distributor, and is not assignable or otherwise transferable without the written agreement of Seller.

### **ITEMS NOT COVERED BY WARRANTY**

The following listed items, which are not exhaustive, are **NOT** covered under this warranty:

1. Items sold by any individual, corporation, partnership or any other organization or legal entity that is not authorized by Seller to distribute its equipment.
2. Inbound freight, duty and taxes for replacement components or outbound freight, duty, and taxes for any part requested as a warranty return.
3. Components which are not manufactured by Seller or its affiliates. Such components may include, but are not limited to, chassis, engines, batteries, tires, customer-supplied products, transmissions, air compressors, and axles.
4. Replacement of a complete assembly that is field repairable by the replacement or repair of defective part(s) within the assembly. Seller has the option to repair or replace any defective part or assembly.
5. Wear parts and maintenance services including, but not limited to: lamps, lenses, seals, gaskets, hoses, filters, breathers, belts, nozzles, friction plates, glass, clutch and brake linings, wire rope, nuts and fittings, exterior coatings, proper tightening of bolts, adding or replacing of fluids, adjustments of any kind, services, inspections, diagnostic time, travel time and supplies such as hand cleaners, towels and lubricants.
6. Damage caused by carrier handling. Any such claim for damage should be filed immediately with the respective carrier.
7. Repairs, work required or parts exposed as the result of age, storage, weathering, lack of use, demonstration use, or use for transportation of corrosive chemicals.
8. Damage resulting to the equipment or parts should the owner or operator continue to operate the equipment after it has been noted that a failure has occurred.
9. Damage caused by, or labor or other costs related to, work performed by personnel not authorized by Seller to service the equipment.

**IN NO EVENT SHALL SELLER, OR ANY AFFILIATE, SUBSIDIARY OR DIVISION THEREOF BE LIABLE FOR INDIRECT, INCIDENTAL OR CONSEQUENTIAL DAMAGES OR LOSSES RESULTING FROM ANY BREACH OF WARRANTY, REPRESENTATION OR CONDITION, EXPRESS OR IMPLIED, OR ANY TERMS OF THIS WARRANTY, OR ANY BREACH OF ANY DUTY OR OBLIGATION IMPOSED BY STATUTE, CONTRACT, TORT, COMMON LAW OR OTHERWISE (WHETHER OR NOT CAUSED BY THE NEGLIGENCE OF THE SELLER, ITS EMPLOYEES, AGENTS OR OTHERWISE), INCLUDING, WITHOUT LIMITATION, LOSS OF USE, LOST PROFITS OR REVENUES, LABOR OR EMPLOYMENT COSTS, LOSS OF USE OF OTHER EQUIPMENT, DOWNTIME OR HIRE CHARGES, THIRD PARTY REPAIRS, IMPROPER PERFORMANCE OR WORK, LOSS OF SERVICE OF PERSONNEL, LOSS OF CONTRACTOR OPPORTUNITY AND PENALTIES OF ANY KIND, PERSONAL INJURY, EMOTIONAL OR MENTAL DISTRESS, OR FAILURE OF EQUIPMENT TO COMPLY WITH ANY APPLICABLE LAWS. The Seller's liability to the Buyer shall not in any event exceed the purchase price of the equipment.**

**THIS WARRANTY IS EXPRESSLY IN LIEU OF AND EXCLUDES ALL OTHER WARRANTIES, REPRESENTATIONS AND CONDITIONS, EXPRESS OR IMPLIED AND ALL OTHER STATUTORY, CONTRACTUAL, TORTIOUS AND COMMON LAW OBLIGATIONS OR LIABILITY ON SELLER'S PART ARE HEREBY EXPRESSLY EXCLUDED TO THE MAXIMUM EXTENT PERMITTED BY LAW. THERE ARE NO WARRANTIES THAT EXTEND BEYOND THE LIMITED WARRANTY CONTAINED HEREIN.** Seller neither assumes nor authorizes any other person to assume for Seller any other liability in connection with the sale of Seller's equipment. In the event that any provision of this warranty is held unenforceable for any reason, the remaining provisions shall remain in full force and effect.





Terex Utilities, Inc.  
500 Oakwood Rd, Watertown, SD 57201  
Phone: 605-882-4000 Fax: 605-882-1842

05/01/2020

Quote Number: QU14336-12

## Qty. Description

Phone: (607)522-4231

UNIT

- 1 One (1) new Terex Hi-Ranger LT40 Articulating / Telescoping Aerial Device providing a working height of 45.6 ft (13.8 m) with a end mount platform.  
Unit will be mounted behind the cab.

Design Criteria:

\* Design criteria is in accordance with current industry and engineering standards applicable and accepted for structural and hydraulic design.

Lower Controls:

\* Individual control levers are located in an accessible location on the turntable.

Lower Boom:

\* Filament wound high strength fiberglass insert providing an insulation gap.

Upper Boom:

\* Filament wound high strength fiberglass boom providing an insulation gap.

Rotation:

\* Self-locking worm gear rotation drive is provided and equipped with bi-directional motor.

Continuous Unrestricted Rotation:

\* A hydraulic rotary manifold provides a rotating oil distribution system for continuous and unrestricted rotation.

\* A 4 channel electric collector ring is provided as standard.

Aerial device is designed as a Category C machine in accordance and is dielectrically tested and rated for operation on systems up to 46 Kv phase to phase per ANSI/SIA A92.2-2015

Hydraulic System:

\* Full pressure open center hydraulic system.

\* Hydraulic hoses are equipped with permanent type fittings.

Miscellaneous:

\* All metallic components of the complete aerial device are powder coat white.

\* The fiberglass upper boom, boom inserts, platforms and covers are white.

**Qty. Description**

\* Two complete manuals providing operation and maintenance procedures and a replacement parts listing.

\* Warning decals provided with unit.

1 Pedestal.

1 8-Gallon Hydraulic Oil Reservoir.

\* A 8 gallon hydraulic oil reservoir mounted on the side of tower with sight and temperature gauge.

\* Return filter and oil eyes.

\* A ball type shut off valve.

1 A boom rest with a automatic latch is provided.

1 Platform 24" x 30" x 42", End Mounted.

\* Includes one (1) outside access step with slip-resistant surface.

1 A safety harness with lanyard is provided for fall arrest.

1 A padded saddle rest provides platform support during road travel.

1 Insulated Platform Liner For 24" x 30" x 42" Platform:

\* Tested at 50 KV AC.

1 Scuff Pad to fit inside of a platform liner for a 24" x 30" Platform:

\* Non-skid standing surface.

1 Vinyl Platform And Control Cover For 24" x 30" Platform:

\* Waterproof with internal elastic cord around edge and external elastic cord around control cover.

1 Auxiliary Let Down for use with Open Center Hydraulics:

\* Allows for the descent of the boom (platform) in the most direct manner for a time limited by the duty cycle of the electric motor.

\*Includes 12 volt electric motor for use on a 12 volt chassis.

Note: This includes a switch for activation at pedestal for electric or air function.

1 Boom Tip with 4 Function Controls and Platform Rotator:

Upper Controls: "Control-Plus" single stick controller.

\* Enable lever must be actuated before operation.

\* Rated capacity of 400 lbs.

Hydraulic Platform Rotator For End Mount Platform.

Hydraulic Platform Tilt is provided at platform and lower controls.

Engine Stop/Start controlled at platform and lower controls.

Hydraulic Tool Outlets At Platform.

1 Mounting Kit:

\* Behind cab mount for use with (1) set of H-frame outriggers with 4" clubfeet attached to tower and tie plates.

**Qty. Description**

- 1 Controls For 1-Sets of Outriggers (Open center systems):
  - \* Recessed at rear of truck each side for ease of view for outrigger placement.
  - \* Includes switches and alarm for outrigger in motion alarm.
  
- 1 Outrigger Interlock and SAG light opening:
  - \* To operate the boom the outriggers must be extended.

SAG Light opening in outrigger leg:

  - \* Includes wiring and switch.
  - \* Opening only no light.
  
- 1 Pump for systems requiring 3 to 5 gallons per minute:
  - \*Provides 3 gpm at 725 engine rpm and 5 gpm at 1150 engine rpm with a 127% pto.
  
- 1 Terex Advanced Chassis Controller:
  - \* Multiplexed system to include: Controller, LCD Screen, Manual and Schematics.
  - \* Standard Options: Diagnostics, Status Screens, Event Log, Hours Meter, Selectable Button Labels, System Alerts and System Test.
  - \* Programmable settings allow installer to customize/select options need for their application.
  - \* Back-up Camera ready.
  - \* Screw terminal-type connections and enclosure to cover connections.
  - \* Recommended on Class 6 and above chassis with multiple outputs

BODY, INSTALLATION

\*\* BODY INFORMATION \*\*
  
- 1 Body Quote per attached specifications.
  
  
- 1 Install Aerial Device Behind Cab And Install All Associated Components:
  - \* Final test and inspect completed unit including stability and dielectric testing per manufacturers requirements and ANSI/SIA A92.2-2015.
  
- 1 Hose and fittings to connect the hydraulic system from the oil reservoir to the pump and unit.
  
- 1 Platform rest, bottom base
  
- 1 Chassis Spring Additions:
  - \* Build up left rear chassis springs to level vehicle.
  
- 1 Stability testing is to be performed without the outriggers being deployed. If the unit passes - the outrigger interlock will be disabled. If the unit requires the outriggers to pass stability testing - the outrigger interlock will be installed.
  
  
- 1 Power take off with indicator light for automatic transmission.
  
  
- 1 DOT Inspection.

**Qty. Description**

- 1 Set chassis parameters.
- 1 Back-up alarm to sound when the vehicle is shifted into reverse.
- 2 Laminated wood outrigger pad 18" x 18" x 2-1/2" with rope handle.  
\* Includes outrigger pad storage.
- 2 Pendulum style retainer.
- 2 Rubber wheel chocks with eye bolt.
- 1 Cone holder bracket, hoop shape type to be welded on a front bumper.  
Install off front Bumper
- 1 Grab handles as necessary for 3-point contact.
- 1 Rigid stirrup step mounted on side access for ground to body access.  
Install at the access way and to be 24 in wide
- 2 Mud flap with logo 18" tall.  
Note: Trim As-Required.
- 1 Under body mounting kit for a pair of mud flaps.
- 1 Floor mounted boom rest for LT series.  
\* consists of 105227 and 102658
- 1 Peterson LED 7-lamp DOT Lighting Package:  
\* Complies with FMVSS 108.  
\* Includes required lights, junction box and wiring harness.  
\* Note: Back-up lights are incandescent.
- 1 Lighted license plate bracket kit with incandescent light.
- 1 110 volt outlet with GFI.  
Install at the rear curbside sidepack
- 1 Dimensions 1800N inverter, 1800W continuous, 120VAC, Up to 15A.  
Install in the curbside first vertical with on/off switch in the cab
- 2 Inverter Spacer Tube
- 2 Amber strobe light (LED) with 4" tall & 6" dia. lens, and branch guard.

**Qty. Description**

- 1 Whelen 2 corner LED, Amber Strobe Light Kit with 4" grommets.  
\*Wired into On/Off switch in cab.  
  
Install one (1) curbside and streetside in the tailshelf.
- 2 Two (2) amber Microstar lights installed in the front grill curbside and streetside and wired into the 4 corner system.  
65377331
- 1 Strobe mounting bracket located on turntable on the LT series.
- 1 Strobe post mount bracket weldment for small chassis.  
  
Mount on Curbside 1st vertical. For mounting Go-Light.
- 1 Golight 20004 LED spotlight, hand held remote and white in color.
- 1 Bracket for spotlight mounting.
- 1 Truck-Lite 8150 - Round Work Light, LED.  
  
Mount to rear of pedestal as high as possible.
- 1 4in. Round LED Light  
- Mount on forward side of side access  
- PN 65338271
- 1 BH82000 Combination Pintle Hook And 2" Ball:  
\* Safety chain eyes.  
"Pintle hook brackets and attachment methods are designed to meet the associated pintle hook ratings. They are not designed for recovery purposes. If recovery attachments are required, please order the appropriate tow eyes."
- 1 ICC rear bumper.
- 1 6-prong trailer socket.
- 1 Timbren rubber stabilizers installed on axle.
- 1 Torsion bar stabilizer for rear axle.
- 1 Exhaust extension for light duty chassis.
- 15 Fill with Hydraulic oil for general purpose use.  
\* Refer to the product maintenance manual for specific type to be used.



**Qty. Description**


- 1 Safety Kit consists of the following:
  - \* 5-lb ABC fire extinguisher with bracket.
  - \* James King triangle reflector kit.
  
- 1 Paint line body one color up to 156".
  - \*Note - Paint under carriage black.
  
- 1 Paint body floor with non-skid paint.
  
- 1 Paint compartment top with non-skid paint.
  
- 1 Undercoat body.
  
- CHASSIS
- \*\* CHASSIS INFORMATION \*\*
- 1 Ford F-550 4x4 (GAS) per attached specifications.
  
- SPECIAL CHARGES
- 1 Delivery to Customer.

OPTIONS:

ADD

1. Federal Excise Tax will be added if certificate is not supplied with order.
2. The following items must be considered by the purchaser if not already included:  
Back-up Alarm \$150.00; Strobe Light \$525.00; Wheel Chocks \$110.00;  
Outrigger Pads \$200.00 to \$650.00 (based on pad size & type); Truck Grounding Cable \$550.00;  
Barricade Kit \$895.00; Hydraulic Over Load Protection (derrick only, price will vary  
based on final option selection); Boom / Boom Stow Interlock \$700.00; Engine Stop / Start  
\$200.00 to \$795.00 (based on unit model); Auxiliary Let Down \$1500.00; and Platform  
Liner \$380.00 to \$625.00 (based on platform size).
3. Terex Utilities, Inc. strongly recommends all installation accessories be located up front in  
front in the quote or secondarily on the approved engineering drawing. Any accessories located  
or relocated during manufacturing may be subject to additional charges.
4. Terex Utilities, Inc. - Assembly in Watertown, South Dakota is ISO 9001:2000 Certified.

## Additional Changes (Included in Base Price)

<b>Date</b>	10/31/22	
<b>Quote #</b>	QU22834	
<b>Customer Name</b>	City of Ann Arbor	
<b>No.</b>	<b>Description</b>	<b>Selling Price</b>
1	Instead of a White chassis and body, change to chassis and body to School bus yellow, Unit will remain White.	Included
2	Install 4" tall white reflective stripe on each side of utility body.	Included
3	In S1 compartment, provide three 4" tall pull out drawers w/dividers. Drawers should be on roller bearing slides. Provide shelf over drawer assembly. Shelf to have adj dividers.	Included
4	Add and install two additional 65377331 LIGHT,SIX ARRAY LED HEAD,WIDE,AMBER lights. Install below horizontal compartment on wheel well panel. One per side of body.	Included
5	Delete front bumper cone holder. Provide post style cone holder with mounting base - ship loose for customer install.	Included
6	Delete 6-prong trailer plug recepticle and provide 7-pin round trailer plug recepticle.	Included
7	Electronic brake controller provided by Ford.	Included
8	Provide back-up camera from Ford if possible. Camera can be in the middle of 3-bar light if applicable.	Included
9		Included
10		Included
11		Included
		

## Quotation Number Q45488

**To:** Terex Utilities  
**Attn:** Nathan Weber  
**Customer:** City of Ann Arbor
 **Date:** 10/24/2022

<b>Spec Number:</b>	QU22834	<b>Customer Service Rep:</b>
<b>State:</b>	Michigan	
<b>Engine Type:</b>	Diesel	<b>Outside Sales:</b>
<b>Crane/Unit Model:</b>	LT40	
<b>Chassis:</b>	Ford F-550	<b>Reference:</b> Q44237A
<b>Axle Configuration:</b>	DRW (4x4)	<b>Same As:</b>

<b>Terex</b>	<b>Aluminum Build Standards</b>	<b>Service</b>	<b>Body</b>
<b>108 Inches Long x 40 Inches High x ,94 Inches Wide</b>			
<b>Chassis Cab to Axle (CA) of 60 Inches</b>			

- Bodies with one set of jack legs to have lifting eye and body shipping stands
- 16 gauge front bulkhead – Ship loose (unless specified)
- Wheel chock holders are to be installed ½" forward and ½" rearward of cutout
- All bulkheads to have pin access cutout/ cover when A-frame jack is ahead or behind bulkhead, x-frame jacks will not get pin access cutout/ cover

**Body Dimensions:**

108	Inches - Body Length
40	Inches - Body Height
94	Inches - Body Width
60	Inches - Chassis C/A
40	Inches - Compartment Height
18	Inches - Compartment Depth
58	Inches - Load Space Width
24	Inches - Top of Body to Top of Floor Dimension
18	Inches - Horizontal Compartment Height
6	Inches - Wheel well box height

**Body Materials:**

13 ga AL	- Main Body Material
1/8" AL Treadbrite	- Compartment Tops Material
1/8" AL	- Wheel Panels Material
1/8" AL	- Front Bulkhead Material
18 ga Galvanized	- Shelving Material
Adjustable on Unistrut	- Shelving Mounting Style

**Door Materials:**

Standard, Double Panel	- Door Type
16 ga AL	- Inner Door Material
16 ga AL	- Outer Door Material
Aluminum Rod & Socket	- Door Hinge Style
5/16" AL	- Door Rod Material
Chain	- Vertical Door Holder Option
Chain	- Horizontal Door Holder Option
Single Point Rotary (Stainless Steel)	- Latch Type
	Keyed Alike
	- Lock Type
	- Wrap Around Striker with Rounded Corners

**Floor and Understructure:**

- |                     |                           |
|---------------------|---------------------------|
| 3/16" AL Treadbrite | - Bed Area Floor Material |
| LT40                | - Unit Cutout in Floor    |
| Standard            | - Body Frame Style        |
| Structural          | - Body Frame Material     |
| 6 Inch              | - Body Frame Height       |
- 1/4" formed plate installed flush under floor, for boom rest support

**Subframe Installation:**

- Ship Loose customer supplied LT40 Insert
- Five (5) 1/4" - 20 Jiffy clips installed on front flat evenly spaced for tying wires
- Hydraulic tube 22"L x 3/8" Diameter
- Install bolt on lifting hooks and shipping's stands to the opposite end if one set of outriggers is provided

**Accessories:**

- Rubber Rolled Crown (PN# 30136) (Installed with Wheel Cut-Outs)
- Automotive Bulb Weatherstripping (PN# 30132) (Shiploose)
- Master Door Lock, Hook and Loop System on Both Sides with Two (2) Spring Loaded Door Handles  
CS masterlock to be at front of body
- One (1) Fuel Filler Cutout in Streetside of Fender Panel
- Two (2) Jiffy clips installed on both sides of cutouts
- Mud Flap brackets -Terex PN88494A installed
- Formed Alum Angle Tie down Welded to front of Front Flat and 5/16" above top edge

**Interior Lighting:**

- L.E.D. Rope Lights (PN# 30811) in All body Compartments (Shiploose)
- Does NOT include boxes
- Each compartment to have Two (2) pigtail connectors
- Lights are to be installed

**Paint:**

- Powdercoat Complete School Bus Yellow CODE M6284 YELLOW
- Includes treadbrite

**Streetside Compartmentation:****1st Vertical Compartment:**

- 30" Wide x 40" High x 18" Deep Compartment
- Drawer Cabinet with One (1) Fixed Shelf Installed Above
    - Divider Slots on 2" Centers, with Five (5) Adjustable Dividers
  - T-Handle Dual Latching Drawers Mounted on 250 lb. Roller Bearing Slides
    - Drawers will Latch Closed on RH and LH Side of Drawer
    - Drawers will have Divider Slots on 2" Centers
  - Three (3) Drawer(s) 4" High x 14" Wide x 13" Deep
    - Three (3) Adjustable Dividers Per Drawer
  - Install 3/8" Hydraulic Tube in C/S & S/S 1st vertical front bottom corner

**Horizontal Compartment:**

- 54" Wide x 18" High x 18" Deep Compartment
- Vacant / Open Compartment

**Rear Vertical Compartment:**

- 24" Wide x 40" High x 18" Deep Compartment
- Two (2) Adjustable Shelves
    - Divider Slots on 2" Centers, with Four (4) Adjustable Dividers



**Streetside Hotstick Shelf:**

108 Inch Long Shelf Installed on the Streetside with a Rear Dropdown Access Door

- Stainless Steel Automotive Rotary Type Door Latch
  - Stud Mounted Latches to Have Hidden Fasteners Inside the Door
  - Striker Installed in Door Frame for Maximum Opening
  - Stud Mounted Automotive Style Latches Have Interior Plastic Latch Covers
- Automotive Bulb Type Weatherstripping Mechanically Fastened to Door Frame with Rounded Corners

**Curbside Compartmentation:****1st Vertical Compartment:**

30" Wide x 40" High x 18" Deep Compartment

- Five (5) 1/2" Dia. Locking / Swivel Carriage Bolt Hooks, Adjustable, 1-3-1 Hook Set
- One (1) inverter shelf installed 12" from bottom of compartment
- Two (2) louver vents at bottom
  - Splash Guard Installed over Vent on Outside
- Install 3/8" Hydraulic Tube in C/S & S/S 1st vertical front bottom corner
- Go light brackets installed on top of this compartment

**Horizontal Compartment:**

54" Wide x 18" High x 18" Deep Compartment

- Eight (8) Adjustable Dividers installed on Compartment Bottom

**Rear Vertical Compartment:**

24" Wide x 40" High x 18" Deep Compartment

- Five (5) 1/2" Dia. Locking / Swivel Carriage Bolt Hooks, Adjustable, 1-3-1 Hook Set

**Tailshelf:**

- 3/16" Aluminum Treadbrite tailshelf 36 inches long X 93-1/2 inches wide x 6 inches high.
- Full side and rear skirts to bottom of body - .125 Aluminum
- Streetside and curbside valve cutouts to tailshelf
- Streetside and curbside Valve plates
- Seven (7) pin trailer socket cutout

**Curb Side Access 24" Wide Recessed in Tailshelf on Curbside**

Grip strut access steps to bed area with

1/8" Aluminum risers and side kickplates

- To have a 1/4" x 4" flat added to bottom of step for mounting cable step
- Cutout for light and GFI cutout in side access area

**Grab Handle:**

One (1) - 96388 grab handle and One (1) — 86012 Low Profile grab handle

Bolt on Grab-handle Terex PN# 86012, DBI PN# 30644 with feet for bolting to tap blocks

**Tailshelf Rear Lighting:**

- 94" Wide 9-Lamp light bar installed at rear of tailshelf NO LIGHTS

**Wheel Chock Storage:**

- Two (2) wheel chock holders installed on Curbside
- Include pendulum retainers

**Ladder Rack: (Ship Loose)**

- Aluminum Ladder tray 108" long X 3" high X 20" ID wide made of 3" aluminum angle with rear roller and tie down eyes
- Painted same as body

**Prepared for: Nathan Weber, Terex**  
3140 15th Ave Se  
Watertown, SD 57201

---

**2022 F-550 Chassis 4x4 SD Regular Cab 145" WB DRW XL (F5H)**

Price Level: 275

---



**Client Proposal**

Prepared by:  
Mike Johnson  
Office: 605-886-5844  
Email: [mike@watertownfordchrysler.com](mailto:mike@watertownfordchrysler.com)  
Quote ID: QU22834  
Date: 10/24/2022



**Prepared for: Nathan Weber**

Terex

Prepared by: Mike Johnson

10/24/2022

Watertown Ford | 1600 9th Avenue SE Watertown South Dakota | 572015305



---

**2022 F-550 Chassis 4x4 SD Regular Cab 145" WB DRW XL (F5H)**

Price Level: 275 | Quote ID: QU22834

---

**Nathan Weber, Terex**

3140 15th Ave Se

Watertown, SD 57201

Re: Quote ID QU22834 10/24/2022

---

Dear Nathan,

Thank you very much for your interest in acquiring a vehicle from our dealership. We concur that your interest is well deserved. We hope that an outstanding product lineup and our dedication to customer service will enhance your ownership experience should you decide to buy a vehicle from us.

Attached, please find additional information that I hope will assist you in making a more informed decision. Please feel free to contact me at any time as I would truly appreciate the opportunity to be of service to you.

Sincerely,

**Mike Johnson**

Fleet Sales

605-886-5844

mike@watertownfordchrysler.com

Prepared for: Nathan Weber

Terex

Prepared by: Mike Johnson

10/24/2022

Watertown Ford | 1600 9th Avenue SE Watertown South Dakota | 572015305



---

## 2022 F-550 Chassis 4x4 SD Regular Cab 145" WB DRW XL (F5H)

Price Level: 275 | Quote ID: QU22834

---

### Table of Contents

Description	Page
Cover Page .....	1
Cover Letter .....	2
Table of Contents .....	3
Selected Equip & Specs .....	4
As Configured Vehicle .....	16
Warranty .....	20
Vehicle Dimension and Performance .....	21
Pricing Summary - Single Vehicle .....	25





## 2022 F-550 Chassis 4x4 SD Regular Cab 145" WB DRW XL (F5H)

Price Level: 275 | Quote ID: QU22834

### Selected Equip & Specs

#### Dimensions

• Conventional Capacity: 18,500 lbs. • GCWR: 28,000 lbs. • Fifth-wheel towing capacity: 20,100 lbs. • Gooseneck towing capacity: 20,100 lbs. • Vehicle body length: 231" • Vehicle body width: 80" • Vehicle body height: 82" • Wheelbase: 145" • Front track: 75" • Rear track: 74" • Vehicle turning radius: 21' • Cab to axle: 60" • Rear tire outside width: 94" • Axle to end of frame: 47" • Frame section modulus: 13 cu.in. • Frame yield strength (psi): 50000 • Frame rail width: 34" • Front bumper to front axle: 38" • Front bumper to back of cab: 124" • Front brake diameter: 15.4" • Rear brake diameter: 15.8" • Interior cargo volume: 12 cu.ft. • Max interior cargo volume: 12 cu.ft. • Total passenger volume: 64.6 cu.ft. • Headroom first-row: 40.8" • Leg room first-row: 43.9" • Shoulder room first-row: 66.7" • Hip room first-row: 62.5"

#### Powertrain

• 7.3L V-8 DEVCT variable valve control, engine with 350HP • Engine cylinders: V-8 • Injection Type: sequential MPI • Spark ignition system • Horsepower: 350 HP@3900 RPM • Torque: 468 lb.-ft.@3900 RPM • Radiator \* **Auxiliary power take-off** • TorqShift 10-speed automatic • Part-time 4WD • Four-wheel drive • Recommended fuel: regular unleaded \* **Mechanical limited slip differential** • Driveline managed traction control • Auto locking hub control • Electronic transfer case shift

#### Fuel Economy and Emissions

• Gasoline secondary fuel type • Federal emissions

#### Suspension and Handling

• Firm ride suspension • Heavy-duty front shock absorbers • Heavy-duty rear shock absorbers

#### Driveability

• 4-wheel disc brakes • Front and rear ventilated disc brakes • 4-wheel antilock (ABS) brakes • Four channel ABS brakes • Brake assist system • Mono-beam rigid axle front suspension • Front anti-roll bar • Front coil springs \* **Rigid axle rear suspension** • Leaf spring rear suspension • Rear anti-roll bar • Hydraulic power-assist steering system • Re-circulating ball steering • 2-wheel steering system

#### Body Exterior

• Trailer wiring harness \* **Side assist steps** • 2 doors • Clearcoat paint • Monotone paint • Black fender flares • Black side window trim • Black windshield trim • Black door handles \* **Chrome front bumper** \* **Body-coloured front bumper rub strip** • 2 front tow hooks • Black grille • Black door mirrors \* **Exterior mirror LED spot lights** • Manual extendable trailer mirrors \* **Convex spotter in driver and passenger side door mirrors** \* **Turn signal indicator in door mirrors** \* **LT225/70RS19.5 AT BSW front and rear tires** • 19.5 x 6-inch front and dual rear argent steel wheels

#### Convenience

\* **Power door locks with 2 stage unlocking** \* **Keyfob activated door locks** \* **All-in-one remote fob and ignition key** \* **Cruise control with steering wheel mounted controls** • FordPass Connect smart device engine start control • Day/Night rearview mirror \* **Power first-row windows** • Fixed rear windshield • Illuminated locking glove box • Illuminated glove box • Front beverage holders • 6 beverage holders \* **Driver and passenger door bins** • Instrument panel covered bin • Dashboard storage \* **Retained accessory power** • PRND in IP • Trip computer • Upfitter switches



2022 F-550 Chassis 4x4 SD Regular Cab 145" WB DRW XL (F5H)

Price Level: 275 | Quote ID: QU22834

## Selected Equip & Specs (cont'd)

### Comfort

- Manual climate control • Cabin air filter • Cloth headliner material • Full headliner coverage • Full vinyl floor covering • Full floor coverage • Manual tilting steering wheel • Manual telescopic steering wheel • Urethane steering wheel

### Seats and Trim

- Seating capacity: 3 • 40-20-40 split-bench front seat • Split-bench front seat • Driver seat with 4-way directional controls • Front passenger seat with 4-way directional controls • Height adjustable front seat head restraints • Manual front seat head restraint control • Front seat center armrest • Front seat armrest storage • Manual reclining driver seat • Manual driver seat fore/aft control • Manual reclining passenger seat • Manual passenger seat fore/aft control • Manual driver seat lumbar • Vinyl front seat upholstery

### Entertainment Features

- 2 total number of 1st row displays • 4.2 inch primary LCD display • AM/FM stereo radio • Seek scan • SYNC external memory control • Speakers number: 4 • Standard grade speakers • Steering wheel mounted audio controls • SYNC voice activated audio controls • Bluetooth wireless audio streaming • Fixed audio antenna

### Lighting, Visibility and Instrumentation

- Analog instrumentation display • Trip odometer • In-radio display clock • Compass • Exterior temperature display • Vehicle systems monitor • Gauge cluster display size (inches): 2.30 • Tachometer • Oil pressure gauge • Engine/electric motor temperature gauge • Transmission fluid temperature gauge • Engine hour meter • Light tinted windows • Aero-composite headlights • Halogen headlights • Autolamp auto on/off headlight control • Multiple enclosed headlights • Delay-off headlights • Variable intermittent front windshield wipers • Front reading lights \* **Illuminated entry** • Variable instrument panel light • Daytime running lights • Cab clearance lights • High mounted center stop light \* **Remote activated perimeter approach lighting** • Fade interior courtesy lights

### Technology and Telematics

- 911 Assist emergency SOS system via mobile device • Bluetooth handsfree wireless device connectivity • AppLink smart device app link • FordPass Connect 4G mobile hotspot internet access • 1 USB port

### Safety and Security

- Driver front impact airbag • Seat mounted side impact driver airbag • Safety Canopy System curtain first-row overhead airbags • Cancellable front passenger air bag • Seat mounted side impact front passenger airbag • 6 airbags • Front height adjustable seatbelts \* **SecuriLock immobilizer** \* **Remote panic alarm** \* **Security system** \* **MyKey restricted driving mode** \* **Rear mounted camera**

### Dimensions

#### General Weights

* Curb weight .....	<b>7,135 lbs.</b>	* Rear curb weight .....	<b>3,069 lbs.</b>
* GVWR .....	<b>19,000 lbs.</b>	* Payload .....	<b>12,000 lbs.</b>

#### Trailer Weights

Prices and content availability as shown are subject to change and should be treated as estimates only. Actual base vehicle, package and option pricing may vary from this estimate because of special local pricing, availability or pricing adjustments not reflected in the dealer's computer system. See salesperson for the most current information.

**Prepared for: Nathan Weber**



Terex

Prepared by: Mike Johnson

10/24/2022

Watertown Ford | 1600 9th Avenue SE Watertown South Dakota | 572015305

**2022 F-550 Chassis 4x4 SD Regular Cab 145" WB DRW XL (F5H)**

Price Level: 275 | Quote ID: QU22834

**Selected Equip & Specs (cont'd)**

Fifth-wheel towing capacity .....	20,100 lbs.	Gooseneck towing capacity .....	20,100 lbs.
Conventional capacity .....	18,500 lbs.	GCWR .....	28,000 lbs.

*Front Weights*

* <b>Front curb weight</b> .....	<b>4,066 lbs.</b>	* <b>GAWR front</b> .....	<b>7,000 lbs.</b>
Axle capacity front .....	7,000 lbs.	* <b>Spring rating front</b> .....	<b>7,000 lbs.</b>
Tire/wheel capacity front .....	7,500 lbs.		

*Rear Weights*

* <b>GAWR rear</b> .....	<b>13,900 lbs.</b>	* <b>Axle capacity rear</b> .....	<b>14,706 lbs.</b>
* <b>Spring rating rear</b> .....	<b>13,900 lbs.</b>	Tire/wheel capacity rear .....	15,000 lbs.

*Off Road*

Min ground clearance .....	8.2"
----------------------------	------

*Exterior Measurements*

Vehicle body length .....	231"	Vehicle body width .....	80"
Vehicle body height .....	82"	Wheelbase .....	145"
Front brake diameter .....	15.4"	Rear brake diameter .....	15.8"
Rear frame height loaded .....	29"	Rear frame height unloaded .....	35"
Front track .....	75"	Rear track .....	74"
Vehicle turning radius .....	21'	Cab to axle .....	60"
Rear tire outside width .....	94"	Axle to end of frame .....	47"
Frame section modulus .....	13 cu.in.	Frame yield strength (psi) .....	50000
Frame rail width .....	34"	Front bumper to front axle .....	38"
Front bumper to back of cab .....	124"		

*Interior Measurements*

Interior cargo volume .....	12 cu.ft.	Max interior cargo volume .....	12 cu.ft.
-----------------------------	-----------	---------------------------------	-----------

*Interior Volume*

Total passenger volume .....	64.6 cu.ft.
------------------------------	-------------

*Headroom*

Headroom first-row .....	40.8"
--------------------------	-------

*Legroom*

Leg room first-row .....	43.9"
--------------------------	-------

*Shoulder Room*

Shoulder room first-row .....	66.7"
-------------------------------	-------

*Hip Room*

Hip room first-row .....	62.5"
--------------------------	-------

**Powertrain**

Prices and content availability as shown are subject to change and should be treated as estimates only. Actual base vehicle, package and option pricing may vary from this estimate because of special local pricing, availability or pricing adjustments not reflected in the dealer's computer system. See salesperson for the most current information.



2022 F-550 Chassis 4x4 SD Regular Cab 145" WB DRW XL (F5H)

Price Level: 275 | Quote ID: QU22834

Selected Equip & Specs (cont'd)

Engine

Engine	7.3L V-8 DEVCT variable valve control, engine with 350HP	Valves per cylinder	2
Engine cylinders	V-8	Injection type	sequential MPI
Engine location	Front mounted engine	Ignition	Spark ignition system
Engine mounting direction	Longitudinal mounted engine	Engine block material	Iron engine block
Cylinder head material	Aluminum cylinder head		

Engine Specs

Displacement	7.3L	cc	445 cu.in.
Bore	4.21"	Stroke	3.98"
Compression ratio	10.5	SAEJ1349	AUG2004 compliant

Engine Power

Horsepower	350 HP@3900 RPM	Torque	468 lb.-ft.@3900 RPM
------------	-----------------	--------	----------------------

Alternator

* Alternator amps	157A	* Alternator type	Dual alternator
* Alternator rating	240A		

Battery

Battery amps	78Ah	* Battery type	Dual lead acid battery
Battery rating	750CCA	Battery run down protection	Battery run down protection

Engine Extras

Radiator	Radiator	* Auxiliary power take-off	Auxiliary power take-off
----------	----------	----------------------------	--------------------------

Transmission

Transmission	TorqShift 10-speed automatic	Transmission electronic control	Transmission electronic control
Overdrive transmission	Overdrive transmission	Lock-up transmission	Lock-up transmission
First gear ratio	4.615	Second gear ratio	2.919
Third gear ratio	2.132	Fourth gear ratio	1.773
Fifth gear ratio	1.519	Sixth gear ratio	1.277
Reverse gear ratio	4.695	Seventh gear ratio	1
Eighth gear ratio	0.851	Ninth gear ratio	0.687
Tenth gear ratio	0.632	Stall ratio	1.97
Selectable mode transmission	Selectable mode transmission	Sequential shift control	SelectShift Sequential shift control
Transmission oil cooler	Transmission oil cooler	* PTO transmission provision	PTO transmission provision

Prices and content availability as shown are subject to change and should be treated as estimates only. Actual base vehicle, package and option pricing may vary from this estimate because of special local pricing, availability or pricing adjustments not reflected in the dealer's computer system. See salesperson for the most current information.



2022 F-550 Chassis 4x4 SD Regular Cab 145" WB DRW XL (F5H)

Price Level: 275 | Quote ID: QU22834

Selected Equip & Specs (cont'd)

Drive Type

4WD type ..... Part-time 4WD Drive type ..... Four-wheel drive

Drivetrain

Axle ratio ..... 4.88

Exhaust

Tailpipe ..... Stainless steel single exhaust

Fuel

Fuel type ..... regular unleaded

Fuel Tank

Fuel tank capacity ..... 40.00 gal.

Drive Feature

\* Limited slip differential ..... Mechanical limited slip differential Traction control ..... Driveline managed traction control

Locking hub control ..... Auto locking hub control Transfer case ..... Electronic transfer case shift

Provisions

\* Provisions ..... Snow plow provisions

Fuel Economy and Emissions

Fuel Economy

Secondary fuel type ..... Gasoline secondary fuel type

Emissions

Emissions ..... Federal emissions

Suspension and Handling

Suspension

Suspension ..... Firm ride suspension Front shock absorbers ..... Heavy-duty front shock absorbers

Rear shock absorbers ..... Heavy-duty rear shock absorbers

Driveability

Brakes

Brake type ..... 4-wheel disc brakes Ventilated brakes Front and rear ventilated disc brakes

ABS brakes ..... Four channel ABS brakes ABS brakes ..... 4-wheel antilock (ABS) brakes

Prices and content availability as shown are subject to change and should be treated as estimates only. Actual base vehicle, package and option pricing may vary from this estimate because of special local pricing, availability or pricing adjustments not reflected in the dealer's computer system. See salesperson for the most current information.



2022 F-550 Chassis 4x4 SD Regular Cab 145" WB DRW XL (F5H)

Price Level: 275 | Quote ID: QU22834

## Selected Equip & Specs (cont'd)

### Brake Assistance

Brake assist system ..... Brake assist system

### Front Suspension

Anti-roll bar front ..... Front anti-roll bar  
 Suspension ride type front Mono-beam rigid axle front suspension

### Front Spring

\* **HD front springs** ..... **Heavy-duty front springs**  
 Springs front ..... Front coil springs

### Rear Spring

Springs rear ..... Rear leaf springs  
 Rear springs ..... Heavy-duty rear springs

### Rear Suspension

Anti-roll bar rear ..... Rear anti-roll bar  
 Suspension type rear ..... Leaf spring rear suspension

\* **Suspension ride type rear** ..... **Rigid axle rear suspension**

### Steering

Steering ..... Hydraulic power-assist steering system  
 Steering type number of wheels ..... 2-wheel steering system  
 Steering type ..... Re-circulating ball steering

## Exterior

### Front Wheels

Front wheels diameter ..... 19.5" Front wheels width ..... 6"

### Rear Wheels

Rear wheels diameter ..... 19.5" Rear wheels width ..... 6"

### Front And Rear Wheels

Appearance ..... argent Material ..... steel

### Front Tires

Aspect ..... 70 Diameter ..... 19.5"  
 Sidewalls ..... BSW Speed ..... S  
 \* **Tread** ..... **AT** Type ..... LT  
 Width ..... 225mm \* **Front wheel - RPM** ..... **645**

### Rear Tires

Aspect ..... 70 Diameter ..... 19.5"  
 Sidewalls ..... BSW Speed ..... S  
 \* **Tread** ..... **AT** Type ..... LT

Prices and content availability as shown are subject to change and should be treated as estimates only. Actual base vehicle, package and option pricing may vary from this estimate because of special local pricing, availability or pricing adjustments not reflected in the dealer's computer system. See salesperson for the most current information.



2022 F-550 Chassis 4x4 SD Regular Cab 145" WB DRW XL (F5H)

Price Level: 275 | Quote ID: QU22834

Selected Equip & Specs (cont'd)

Width ..... 225mm \* Rear wheel - RPM ..... 645

Body Exterior

Trailer

Towing wiring harness ..... Trailer wiring harness \* Towing brake controller ..... Trailer brake controller

Towing trailer sway ..... Trailer sway control

Exterior Features

Number of doors ..... 2 doors \* Side steps ..... Side assist steps

Front splash guards ..... Front splash guards

Body

Body panels... Aluminum body panels with side impact beams

Mirrors

\* Turn signal in door mirrors ..... Turn signal indicator in door mirrors \* Convex spotter Convex spotter in driver and passenger side door mirrors

Tires

Front tires LT load rating ..... G Rear tires LT load rating ..... G

Wheels

Dual rear wheels ..... Dual rear wheels

Convenience

Door Locks

\* Door locks ... Power door locks with 2 stage unlocking \* Keyfob door locks ..... Keyfob activated door locks

\* All-in-one key ..... All-in-one remote fob and ignition key

Cruise Control

\* Cruise control ... Cruise control with steering wheel mounted controls

Key Fob Controls

Fob remote engine controls ... FordPass Connect smart device engine start control

Rear View Mirror

Day/Night rearview mirror ..... Day/Night rearview mirror

Prices and content availability as shown are subject to change and should be treated as estimates only. Actual base vehicle, package and option pricing may vary from this estimate because of special local pricing, availability or pricing adjustments not reflected in the dealer's computer system. See salesperson for the most current information.





2022 F-550 Chassis 4x4 SD Regular Cab 145" WB DRW XL (F5H)

Price Level: 275 | Quote ID: QU22834

### Selected Equip & Specs (cont'd)

#### Exterior Mirrors

- \* Door mirrors ..... **Power door mirrors**      Folding door mirrors Manual folding door mirrors
- \* Heated door mirrors ..... **Heated driver and passenger side door mirrors**

#### Front Side Windows

- \* First-row windows ..... **Power first-row windows**

#### Passenger Visor

Visor passenger mirror ..... Passenger visor mirror

#### Power Outlets

12V power outlets ..... 3 12V power outlets

#### Rear Windshield

Rear windshield ..... Fixed rear windshield

#### Storage

- \* Door bins front ..... **Driver and passenger door bins**      Number of beverage holders 6 beverage holders
- Beverage holders ..... Front beverage holders      Glove box ..... Illuminated locking glove box
- Illuminated glove box ..... Illuminated glove box      Instrument panel storage ..... Instrument panel covered bin
- Dashboard storage ..... Dashboard storage

#### Windows Feature

- \* One-touch up window ..... **Driver and passenger one-touch up windows**
- \* One-touch down window ..... **Driver and passenger one-touch down windows**

#### Miscellaneous

- Trip computer ..... Trip computer      PRND in IP ..... PRND in IP
- Upfitter switches ..... Upfitter switches      \* Accessory power **Retained accessory power**

### Comfort

#### Climate Control

Climate control ..... Manual climate control      Cabin air filter ..... Cabin air filter

#### Headliner

Headliner material ..... Cloth headliner material      Headliner coverage ..... Full headliner coverage

#### Floor Trim

Floor covering ..... Full vinyl floor covering      Floor coverage ..... Full floor coverage

#### Steering Wheel

Prices and content availability as shown are subject to change and should be treated as estimates only. Actual base vehicle, package and option pricing may vary from this estimate because of special local pricing, availability or pricing adjustments not reflected in the dealer's computer system. See salesperson for the most current information.



2022 F-550 Chassis 4x4 SD Regular Cab 145" WB DRW XL (F5H)

Price Level: 275 | Quote ID: QU22834

Selected Equip & Specs (cont'd)

Steering wheel telescopic Manual telescopic steering wheel
Steering wheel tilt Manual tilting steering wheel

Steering wheel material Urethane steering wheel

Seats and Trim

Seat Capacity

Seating capacity 3

Front Seats

Front seat type Split-bench front seat

Driver seat direction Driver seat with 4-way directional controls

Driver seat fore/aft control Manual driver seat fore/aft control

Passenger seat direction Front passenger seat with 4-way directional controls

Split front seats 40-20-40 split-bench front seat

Reclining passenger seat Manual reclining passenger seat

Passenger seat fore/aft control Manual passenger seat fore/aft control

Front head restraints Height adjustable front seat head restraints

Front head restraint control Manual front seat head restraint control

Armrests front center Front seat center armrest

Armrests front storage Front seat armrest storage

Reclining driver seat Manual reclining driver seat

Lumbar Seats

Driver lumbar Manual driver seat lumbar

Front Seat Trim

Front seat upholstery Vinyl front seat upholstery

Front seatback upholstery Vinyl front seatback upholstery

Interior Accents

Interior accents Chrome interior accents

Gearshifter Material

Gearshifter material Urethane gear shifter material

Entertainment Features

LCD Displays

Number of first-row LCD displays 2 total number of 1st row displays

LCD primary display size 4.2 inch primary LCD display

Radio Features

External memory SYNC external memory control

Seek scan Seek scan

Prices and content availability as shown are subject to change and should be treated as estimates only. Actual base vehicle, package and option pricing may vary from this estimate because of special local pricing, availability or pricing adjustments not reflected in the dealer's computer system. See salesperson for the most current information.



2022 F-550 Chassis 4x4 SD Regular Cab 145" WB DRW XL (F5H)

Price Level: 275 | Quote ID: QU22834

Selected Equip & Specs (cont'd)

Speakers

Speakers ..... Standard grade speakers Speakers number ..... 4

Audio Features

Steering mounted audio control ..... Steering wheel mounted audio controls Voice activated audio ..... SYNC voice activated audio controls
Wireless streaming ..... Bluetooth wireless audio streaming

Lighting, Visibility and Instrumentation

Instrumentation

Trip odometer ..... Trip odometer Instrumentation display ..... Analog instrumentation display

Instrumentation Displays

Temperature display ..... Exterior temperature display Systems monitor ..... Vehicle systems monitor
Clock ..... In-radio display clock Compass ..... Compass

Instrumentation Gauges

Tachometer ..... Tachometer Oil pressure gauge ..... Oil pressure gauge
Transmission temperature gauge ..... Transmission fluid temperature gauge Engine/electric motor temperature gauge ..... Engine/electric motor temperature gauge
Gauge cluster display size (inches) ..... 2.30 Engine hour meter ..... Engine hour meter

Instrumentation Warnings

Engine temperature warning ..... Engine temperature warning Oil pressure warning ..... Oil pressure warning
Low fuel warning ..... Low fuel warning Low brake fluid warning ..... Low brake fluid warning
Battery charge warning ..... Battery charge warning Headlights on reminder ..... Headlights on reminder
Key in vehicle warning ..... Key in vehicle warning Door ajar warning ..... Door ajar warning
Service interval warning ..... Service interval indicator

Glass

Tinted windows ..... Light tinted windows

Headlights

Headlights ..... Halogen headlights Headlight type ..... Aero-composite headlights
Auto headlights ..... Autolamp auto on/off headlight control Multiple headlights ..... Multiple enclosed headlights
Delay off headlights ..... Delay-off headlights

Front Windshield

Prices and content availability as shown are subject to change and should be treated as estimates only. Actual base vehicle, package and option pricing may vary from this estimate because of special local pricing, availability or pricing adjustments not reflected in the dealer's computer system. See salesperson for the most current information.



2022 F-550 Chassis 4x4 SD Regular Cab 145" WB DRW XL (F5H)

Price Level: 275 | Quote ID: QU22834

Selected Equip & Specs (cont'd)

Wipers... Variable intermittent front windshield wipers

Interior Lighting

\* Illuminated entry... Illuminated entry

Variable panel light... Variable instrument panel light

Front reading lights... Front reading lights

Lights

Running lights... Daytime running lights

Interior courtesy lights... Fade interior courtesy lights

Clearance lights... Cab clearance lights

High mount stop light... High mounted center stop light

\* Perimeter approach lighting... Remote activated perimeter approach lighting

Technology and Telematics

Connectivity

Handsfree... Bluetooth handsfree wireless device connectivity

Smart device integration... AppLink smart device app link

Emergency SOS... 911 Assist emergency SOS system via mobile device

Internet Access

Internet access... FordPass Connect 4G mobile hotspot internet access

USB Ports

USB ports... 1 USB port

Safety and Security

Airbags

Front impact airbag driver... Driver front impact airbag

Number of airbags... 6 airbags

Front impact airbag passenger... Cancellable front passenger air bag

Front side impact airbag driver... Seat mounted side impact driver airbag

Front side impact airbag passenger... Seat mounted side impact front passenger airbag

Overhead airbags... Safety Canopy System curtain first-row overhead airbags

Seatbelts

Height adjustable seatbelts... Front height adjustable seatbelts

Security System

Prices and content availability as shown are subject to change and should be treated as estimates only. Actual base vehicle, package and option pricing may vary from this estimate because of special local pricing, availability or pricing adjustments not reflected in the dealer's computer system. See salesperson for the most current information.

Prepared for: Nathan Weber



Terex

Prepared by: Mike Johnson

10/24/2022

Watertown Ford | 1600 9th Avenue SE Watertown South Dakota | 572015305

2022 F-550 Chassis 4x4 SD Regular Cab 145" WB DRW XL (F5H)

Price Level: 275 | Quote ID: QU22834

## Selected Equip & Specs (cont'd)

- \* Immobilizer ..... **SecuriLock immobilizer**      \* Remote panic alarm ..... **Remote panic alarm**
- \* Security system ..... **Security system**

### *Active Driving Assistance*

- \* Restricted driving mode ..... **MyKey restricted driving mode**

### *Cameras*

- \* Rear camera ..... **Rear mounted camera**

---

Prices and content availability as shown are subject to change and should be treated as estimates only. Actual base vehicle, package and option pricing may vary from this estimate because of special local pricing, availability or pricing adjustments not reflected in the dealer's computer system. See salesperson for the most current information.

**Prepared for: Nathan Weber**

Terex

Prepared by: Mike Johnson

10/24/2022

Watertown Ford | 1600 9th Avenue SE Watertown South Dakota | 572015305

**2022 F-550 Chassis 4x4 SD Regular Cab 145" WB DRW XL (F5H)**

Price Level: 275 | Quote ID: QU22834

**As Configured Vehicle**

Code	Description
<b>Base Vehicle</b>	
F5H	Base Vehicle Price (F5H)
<b>Packages</b>	
660A	<p>Order Code 660A</p> <p><i>Includes:</i></p> <ul style="list-style-type: none"> <li>- Engine: 7.3L 2V DEVCT NA PFI V8 Gas</li> <li>- Transmission: TorqShift 10-Speed Automatic 10R140 with neutral idle and selectable drive modes: normal, tow/haul, eco, deep sand/snow and slippery.</li> <li>- Wheels: 19.5" x 6" Argent Painted Steel Hub covers/center ornaments not included.</li> <li>- HD Vinyl 40/20/40 Split Bench Seat Includes center armrest, cupholder, storage and driver's side manual lumbar.</li> <li>- Radio: AM/FM Stereo w/MP3 Player Includes 4 speakers.</li> <li>- SYNC Communications &amp; Entertainment System Includes enhanced voice recognition, 911 Assist, 4.2" LCD center stack screen, AppLink, 1 smart-charging USB port and steering wheel audio controls.</li> </ul>
<b>Powertrain</b>	
99N	Engine: 7.3L 2V DEVCT NA PFI V8 Gas
44G	<p>Transmission: TorqShift 10-Speed Automatic</p> <p><i>10R140 with neutral idle and selectable drive modes: normal, tow/haul, eco, deep sand/snow and slippery.</i></p>
X8L	Limited Slip w/4.88 Axle Ratio
68U	<p>GVWR: 19,000 lbs Payload Upgrade Package</p> <p><i>Includes upgraded frame and upgraded rear-axle. Note: See Order Guide Supplemental Reference for further details on GVWR and payload ranges.</i></p>
<b>Wheels &amp; Tires</b>	
TGK	<p>Tires: 225/70Rx19.5G BSW Traction (TGK)</p> <p><i>Includes 4 traction tires on the rear and 2 traction tires on the front. Not recommended for over the road applications; could incur irregular front tire wear and/or NVH.</i></p>
64Z	<p>Wheels: 19.5" x 6" Argent Painted Steel</p> <p><i>Hub covers/center ornaments not included.</i></p>
<b>Seats &amp; Seat Trim</b>	
A	HD Vinyl 40/20/40 Split Bench Seat

Prices and content availability as shown are subject to change and should be treated as estimates only. Actual base vehicle, package and option pricing may vary from this estimate because of special local pricing, availability or pricing adjustments not reflected in the dealer's computer system. See salesperson for the most current information.



2022 F-550 Chassis 4x4 SD Regular Cab 145" WB DRW XL (F5H)

Price Level: 275 | Quote ID: QU22834

As Configured Vehicle (cont'd)

Code	Description
	<i>Includes center armrest, cupholder, storage and driver's side manual lumbar.</i>
<b>Other Options</b>	
PAINT	Monotone Paint Application
145WB	145" Wheelbase
STDRD	Radio: AM/FM Stereo w/MP3 Player
	<i>Includes 4 speakers.</i>
	<i>Includes: - SYNC Communications &amp; Entertainment System Includes enhanced voice recognition, 911 Assist, 4.2" LCD center stack screen, AppLink, 1 smart-charging USB port and steering wheel audio controls.</i>
96V	XL Value Package
	<i>Includes: - XL Decor Group - Chrome Front Bumper - Steering Wheel-Mounted Cruise Control</i>
90L	Power Equipment Group
	<i>Deletes passenger side lock cylinder. Includes upgraded door-trim panel.</i>
	<i>Includes: - Accessory Delay - Advanced Security Pack Includes SecuriLock Passive Anti-Theft System (PATS) and inclination/intrusion sensors. - Folding Trailer Tow Mirrors w/Power Heated Glass Includes manual telescoping, heated convex spotter mirror and integrated clearance lamps/turn signals. - MyKey Includes owner controls feature. - Power Front Side Windows Includes 1-touch up/down driver/passenger window. - Power Locks - Remote Keyless Entry</i>
473	Snow Plow Prep Package
	<i>Includes pre-selected springs (see order guide supplemental reference for springs/FGAWR of specific vehicle configurations). Note 1: Restrictions apply; see supplemental reference or body builders layout book for details. Note 2: Also allows for the attachment of a winch. Note 3: Highly recommended to add (86M) dual battery on 7.3L gas engines. Adding (67B) 397 amp alternators for diesel engine is highly recommended for max output.</i>
62R	Transmission Power Take-Off Provision
	<i>Includes mobile and stationary PTO modes.</i>
86M	Dual 78 AH Battery

Prices and content availability as shown are subject to change and should be treated as estimates only. Actual base vehicle, package and option pricing may vary from this estimate because of special local pricing, availability or pricing adjustments not reflected in the dealer's computer system. See salesperson for the most current information.



**2022 F-550 Chassis 4x4 SD Regular Cab 145" WB DRW XL (F5H)**

Price Level: 275 | Quote ID: QU22834

**As Configured Vehicle (cont'd)**

Code	Description
18A	Upfitter Interface Module
67B	397 Amp Alternators
63A	Utility Lighting System <i>Includes LED side-mirror spotlights.</i>
52B	Trailer Brake Controller <i>Includes smart trailer tow connector. Verified to be compatible with electronic actuated drum brakes only.</i>
18B	Platform Running Boards
872	Rear View Camera & Prep Kit <i>Pre-installed content includes cab wiring and frame wiring to the rear most cross member. Upfitters kit includes camera with mounting bracket, 20' jumper wire and camera mounting/aiming instructions.</i>

**Fleet Options**

525_	Steering Wheel-Mounted Cruise Control
942	Daytime Running Lamps (DRL) (LPO) Requires valid FIN code. <i>The non-controllable 942 Daytime Running Lamps (DRL) replace the standard Daytime Running Lamps (DRL) on/off cluster controllable.</i>
WARANT	Fleet Customer Powertrain Limited Warranty Requires valid FIN code. <i>Ford is increasing the 5-year 60,000-mile limited powertrain warranty to 5-years, 100,000 miles. Only Fleet purchasers with a valid Fleet Identification Number (FIN code) will receive the extended warranty. When the sale is entered into the sales reporting system with a sales type fleet along with a valid FIN code, the warranty extension will automatically be added to the vehicle. The extension will stay with the vehicle even if it is subsequently sold to a non-fleet customer before the expiration. This extension applies to both gas and diesel powertrains. Dealers can check for the warranty extension on eligible fleet vehicles in OASIS. Please refer to the Warranty and Policy Manual section 3.13.00 Gas Engine Commercial Warranty. This change will also be reflected in the printed Warranty Guided distributed with the purchase of every new vehicle.</i>
BY_02	School Bus Yellow Requires Valid FIN Code.

**Emissions**

425	50-State Emissions System
-----	---------------------------

**Interior Color**

Prices and content availability as shown are subject to change and should be treated as estimates only. Actual base vehicle, package and option pricing may vary from this estimate because of special local pricing, availability or pricing adjustments not reflected in the dealer's computer system. See salesperson for the most current information.

**Prepared for: Nathan Weber**

Terex

Prepared by: Mike Johnson

10/24/2022

Watertown Ford | 1600 9th Avenue SE Watertown South Dakota | 572015305



---

**2022 F-550 Chassis 4x4 SD Regular Cab 145" WB DRW XL (F5H)**

Price Level: 275 | Quote ID: QU22834

---

**As Configured Vehicle (cont'd)**

<b>Code</b>	<b>Description</b>
AS_01	Medium Earth Gray w/HD Vinyl 40/20/40 Split Bench Seat

---

Prices and content availability as shown are subject to change and should be treated as estimates only. Actual base vehicle, package and option pricing may vary from this estimate because of special local pricing, availability or pricing adjustments not reflected in the dealer's computer system. See salesperson for the most current information.

**Prepared for: Nathan Weber**



Terex

Prepared by: Mike Johnson

10/24/2022

Watertown Ford | 1600 9th Avenue SE Watertown South Dakota | 572015305

---

**2022 F-550 Chassis 4x4 SD Regular Cab 145" WB DRW XL (F5H)**

Price Level: 275 | Quote ID: QU22834

---

## Warranty

### Standard Warranty

#### *Basic Warranty*

Basic warranty ..... 36 months/36,000 miles

#### *Powertrain Warranty*

Powertrain warranty ..... 60 months/60,000 miles

#### *Corrosion Perforation*

Corrosion perforation warranty ..... 60 months/unlimited

#### *Roadside Assistance Warranty*

Roadside warranty ..... 60 months/60,000 miles

---

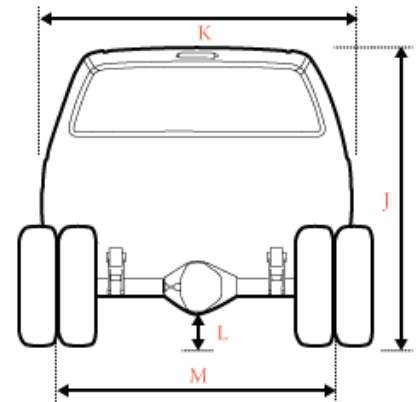
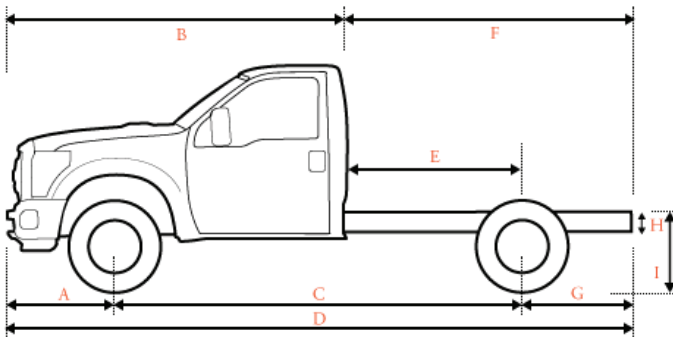
Prices and content availability as shown are subject to change and should be treated as estimates only. Actual base vehicle, package and option pricing may vary from this estimate because of special local pricing, availability or pricing adjustments not reflected in the dealer's computer system. See salesperson for the most current information.

2022 F-550 Chassis 4x4 SD Regular Cab 145" WB DRW XL (F5H)

Price Level: 275 | Quote ID: QU22834

## Vehicle Dimension and Performance Summary

Performance predictions in this report represent an estimate of vehicle performance based on standard operating conditions. Variations in customer equipment, load configuration, ambient conditions, and/or operator driving techniques can cause significant variations in vehicle performance. These values are not representative of results that may be shown in actual dynamometer tests. This report should therefore be used as a guide for comparative vehicle performance.



### Dimensions

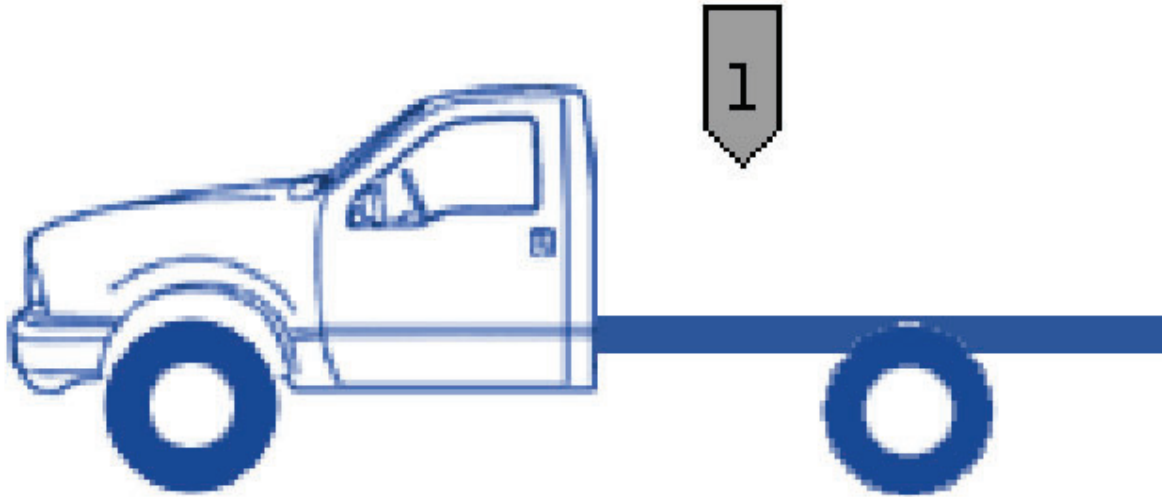
A	Front of Bumper to Front Axle	38.30 in.
B	Front Bumper to Back of Cab (BBC)	123.70 in.
C	Wheelbase (WB)	145.00 in.
D	Overall Length (OAL)	230.70 in.
E	Back of Cab to Rear Axle (CA)	60.00 in.
F	Back of Cab to End of Frame	107.20 in.
G	Rear Axle to End of Frame (AF)	47.20 in.
H	Frame Section Height	N/A
I	Rear Frame Height Unloaded	35.10 in.
I	Rear Frame Height Loaded	28.60 in.
J	Cab Height	81.50 in.
K	Body Width	80.00 in.
L	Maximum Ground Clearance	N/A
L	Minimum Ground Clearance	8.20 in.
M	Front Tread	74.80 in.
M	Rear Tread	74.00 in.

Prices and content availability as shown are subject to change and should be treated as estimates only. Actual base vehicle, package and option pricing may vary from this estimate because of special local pricing, availability or pricing adjustments not reflected in the dealer's computer system. See salesperson for the most current information.

2022 F-550 Chassis 4x4 SD Regular Cab 145" WB DRW XL (F5H)

Price Level: 275 | Quote ID: QU22834

## Vehicle Dimension and Performance Summary (cont'd)



### Weight

GVW	Front Axle	Rear Axle	Totals
Chassis .....	4,066 lbs	3,069 lbs	7,135 lbs
Body .....	0 lbs	0 lbs	0 lbs
Occupants Weight .....	300 lbs	150 lbs	450 lbs
1 Max Payload - (Max Payload) .....	2,634 lbs	8,781 lbs	11,415 lbs
<b>TOTAL</b> .....	<b>7,000 lbs</b>	<b>12,000 lbs</b>	<b>19,000 lbs</b>

Ratings	Front Axle	Rear Axle	GVWR
<b>GAWR</b> .....	<b>7,000 lbs</b>	<b>13,900 lbs</b>	<b>19,000 lbs</b>
Wheels/Tires .....	7,500 lbs	15,000 lbs	
Suspension .....	7,000 lbs	13,900 lbs	
Axle .....	7,000 lbs	14,706 lbs	
Legal Axle Limit .....	0 lbs	0 lbs	

Prices and content availability as shown are subject to change and should be treated as estimates only. Actual base vehicle, package and option pricing may vary from this estimate because of special local pricing, availability or pricing adjustments not reflected in the dealer's computer system. See salesperson for the most current information.



2022 F-550 Chassis 4x4 SD Regular Cab 145" WB DRW XL (F5H)

Price Level: 275 | Quote ID: QU22834

## Vehicle Dimension and Performance Summary (cont'd)

### Start, Grade and Speed

Start	Ratio	Desired	Calculated
Start grade capability in 1st gear	4.62	15.00 %	32.94 %
Start grade capability in reverse	4.70	15.00 %	33.51 %

Grade	Ratio	Desired	Calculated
Maximum grade in 8th gear	0.85	3.00 %	6.17 %
Maximum grade in 9th gear	0.69	3.00 %	4.98 %
Maximum grade in 10th gear	0.63	3.00 %	4.58 %

Speed	Desired	Calculated
Top Speed (level grade)	75 mph	118 mph
<i>To meet your requirement you need a maximum axle ratio of 9.18</i>		
Top Speed on 3.0% grade	55 mph	
<i>To meet your requirement you need a maximum of 120 hp</i>		
Cruise Speed	60 mph	78 mph
Engine RPM at desired cruise speed		1,989 rpm

### Variables in Use

Rear axle ratio: .....	4.88/4.88	Peak Torque RPM: .....	3,900 rpm
Tire size: .....	225/70R19.5 (645 rev/mile)	Frontal Area: .....	40.28 Sq.Ft.
Gross Vehicle Weight (GVW): .....	19,000 lbs	Cruising RPM .....	2,600 rpm
Clutch engagement torque: .....	234 ft.lbs.	Worst road surface .....	Typical Highway
Torque conversion ratio: .....	1.97	Final Drive Ratio: .....	0.63
Peak engine torque: .....	468 ft.lbs.	Drag Coefficient .....	0.80
Engine Power: .....	350 hp @ 3,900 rpm		

Prices and content availability as shown are subject to change and should be treated as estimates only. Actual base vehicle, package and option pricing may vary from this estimate because of special local pricing, availability or pricing adjustments not reflected in the dealer's computer system. See salesperson for the most current information.



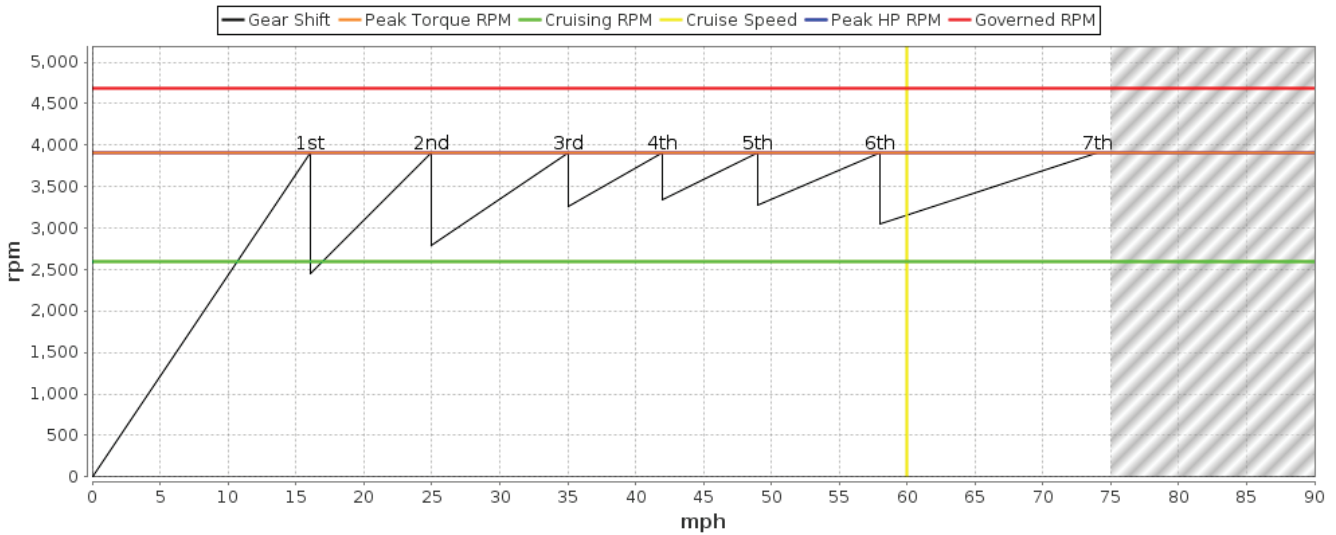
2022 F-550 Chassis 4x4 SD Regular Cab 145" WB DRW XL (F5H)

Price Level: 275 | Quote ID: QU22834

# Vehicle Dimension and Performance Summary (cont'd)

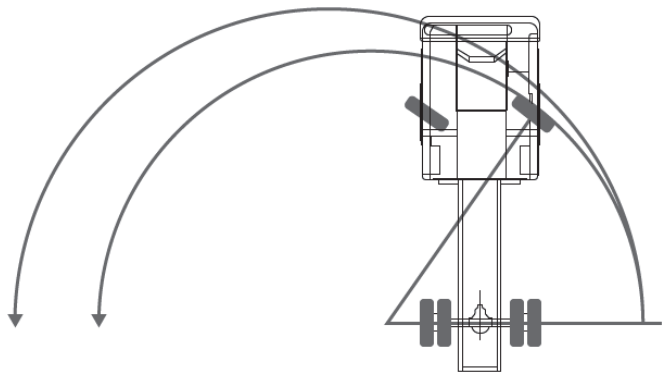
## Shift Chart

Shift Chart displays mathematical geared speed.  
Diesel engines use Governed RPM for shift points.  
Gas engines use Peak Torque RPM for shift points.



## Turning Radius

Turning Radius ..... 21.25 ft



Prices and content availability as shown are subject to change and should be treated as estimates only. Actual base vehicle, package and option pricing may vary from this estimate because of special local pricing, availability or pricing adjustments not reflected in the dealer's computer system. See salesperson for the most current information.

**Prepared for: Nathan Weber**



Terex

Prepared by: Mike Johnson

10/24/2022

Watertown Ford | 1600 9th Avenue SE Watertown South Dakota | 572015305

---

**2022 F-550 Chassis 4x4 SD Regular Cab 145" WB DRW XL (F5H)**

Price Level: 275 | Quote ID: QU22834

---

## Pricing Summary - Single Vehicle

### *Vehicle Pricing*

Base Vehicle Price

Options

Colors

Upfitting

Fleet Discount

Fuel Charge

Destination Charge

---

**Total**

---

Customer Signature

---

Acceptance Date