



Know what's below
 Call before you dig.

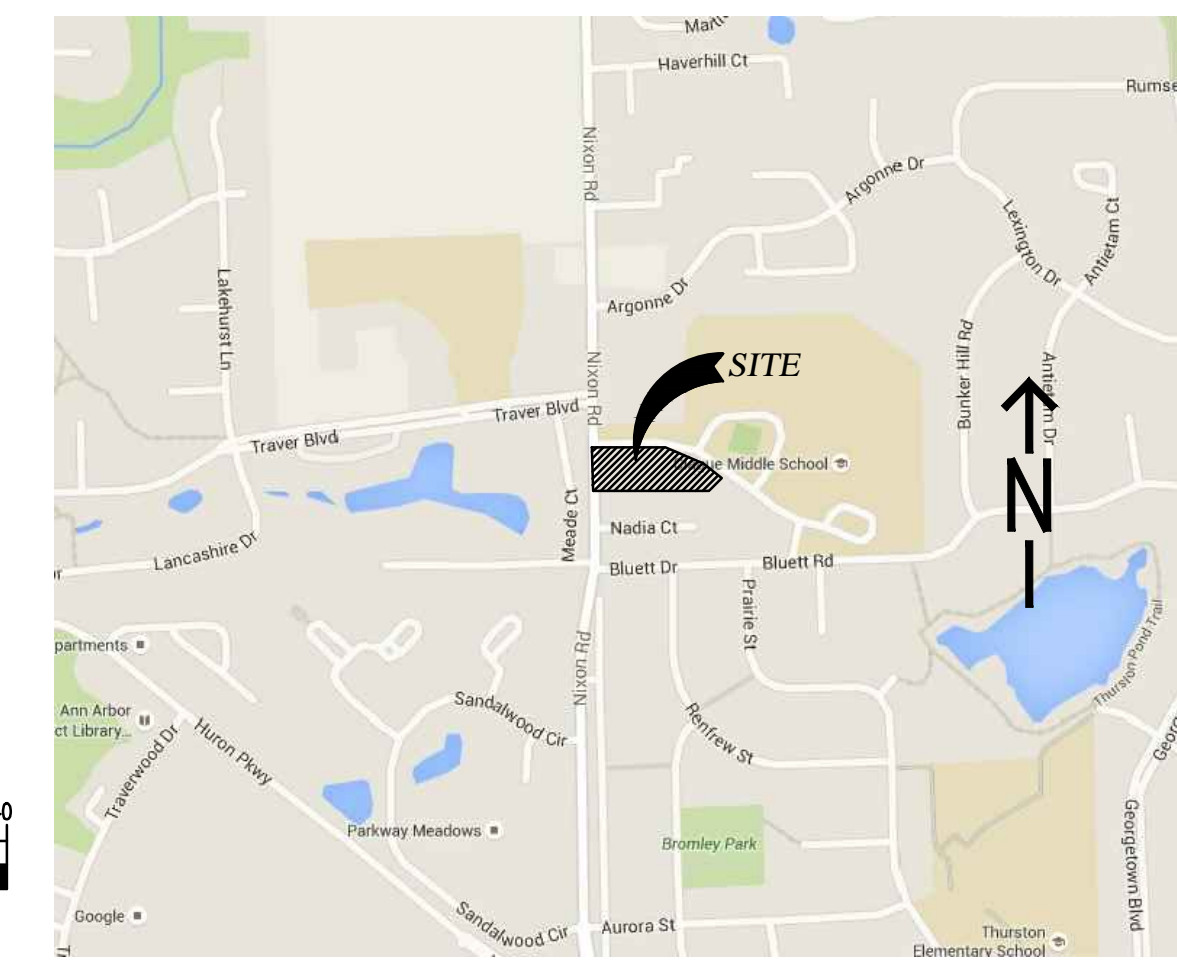
Date	Description

Designed by:	Drawn by:
A.O.	S.D.M.

Approved by:	Date:
A.O.	01-30-2017

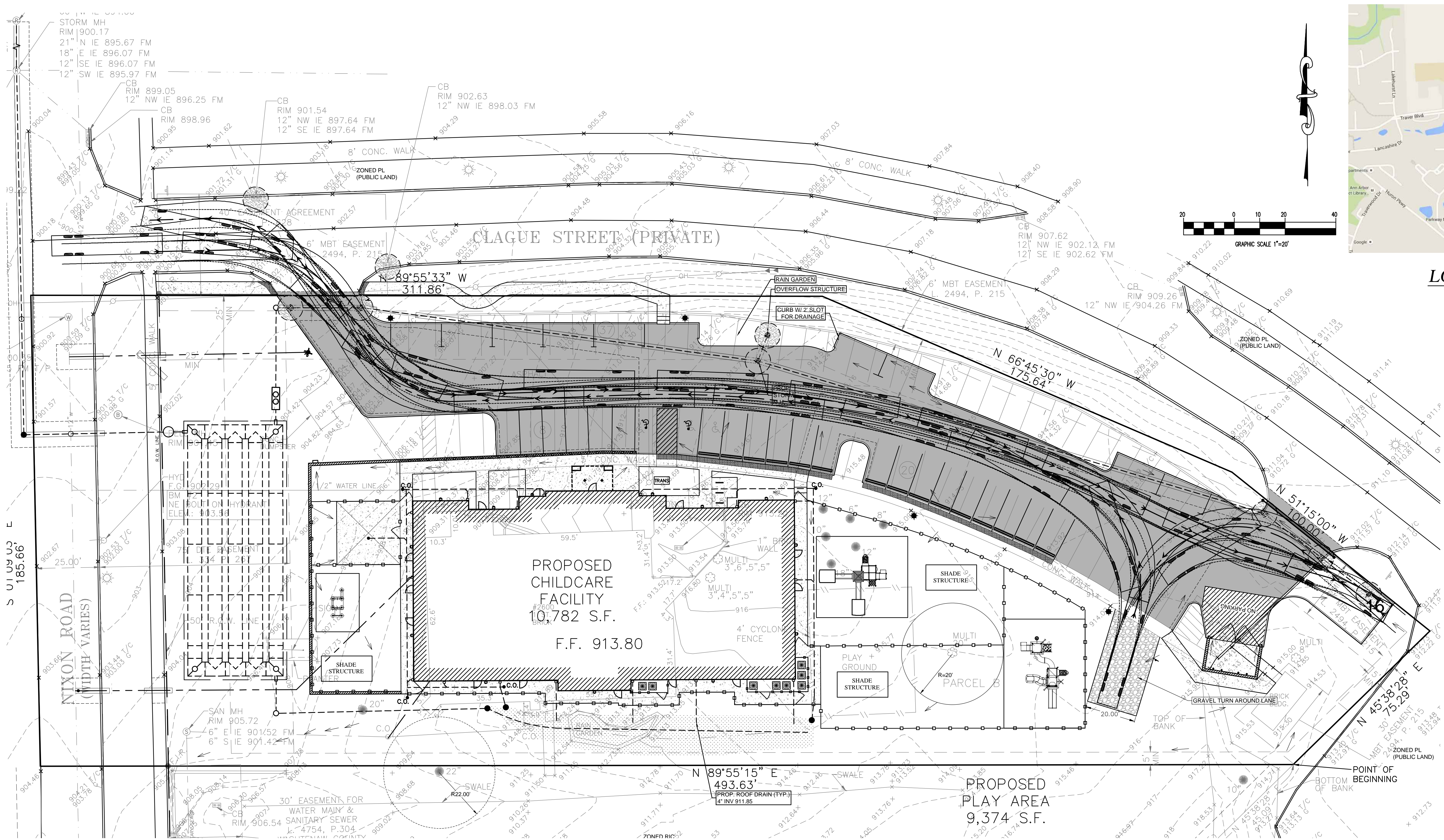
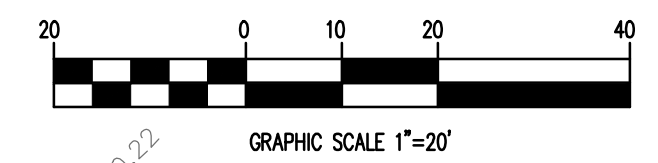
Scale:
 1" = 20'

Job No.: Sheet:

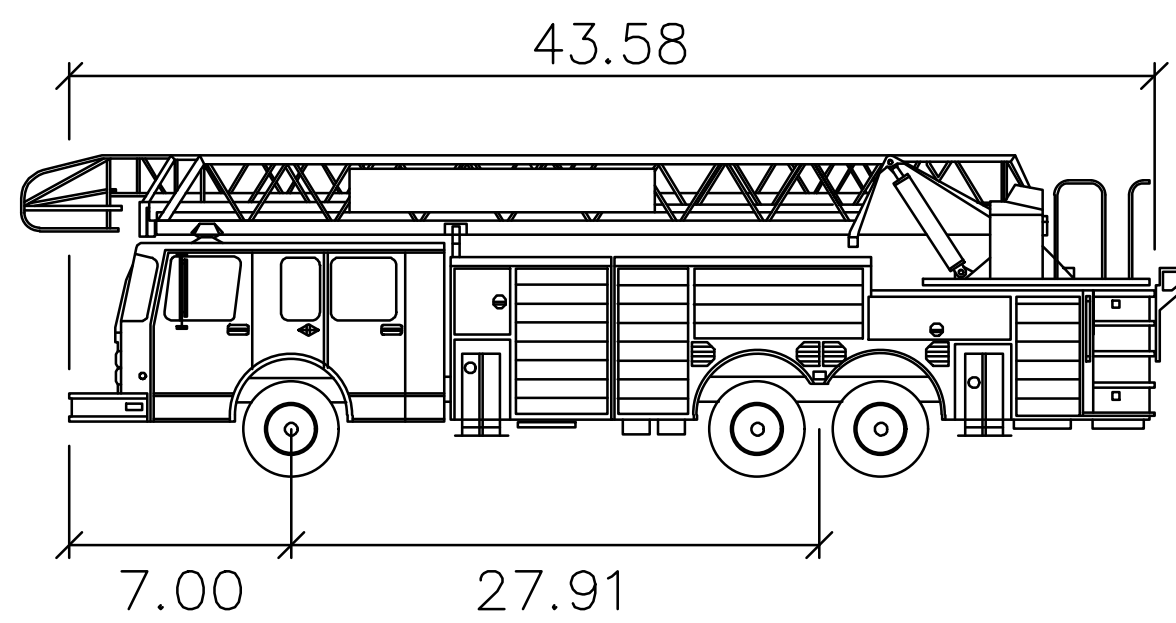


LOCATION MAP

N.T.S.



--- PATH OF FRONT AXLE
 - - - - - PATH OF WHEEL
 _____ PATH OF BODY ENVELOPE



Ann Arbor Fire feet

- Width : 8.00
- Track : 8.00
- Lock to Lock Time : 6.0
- Steering Angle : 33.0

LEGEND

	AMERITECH		SIGNAL POLE
	WATER SHUT OFF		PUBLIC LIGHTING MHL
	TELEPHONE RISER		ELECTRIC RISER OR METER
	TELEPHONE		CATHODIC PROTECTION
	SEWER CLEAN OUT		GUY WIRE
	GAS METER		HIGH TENSION TOWER
	GAS VALVE / GAS MARKER		FLAG POLE
	MANHOLE		GUARD/METAL POST
	CATCH BASIN		STEEL COLUMN
	GATE VALVE IN WELL (G.V.V.)		MAILBOX
	FIRE HYDRANT		SIGN
	STORM MANHOLE (ST. MH.)		PARKING METER
	FENCE POST		BILLBOARD OR LARGE SIGN
	UTILITY POLE		BASKETBALL HOOP
	UTILITY POLE W/ LAMP EXTENSION		