



## CITY OF ANN ARBOR

# GALLUP PARK PATHWAY CULVERT FAILURE AS-BUILT

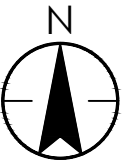
### SHEET INDEX

SHEET 1	-	CULVERT FAILURE LOCATION
SHEET 2	-	CULVERT CONSTRUCTION DETAIL
SHEET 3	-	SINKHOLE REPAIR DETAIL
SHEET 4	-	REPAIR IMAGES

2075153901

c:\2075153901\Civil\design\drawing\153901 ex-01 (cb)

2022.02.10 10:47:45 AM



HURON RIVER

APPROXIMATE LOCATION  
OF STORM STRUCTURE TRANSITION  
FROM 36" BOX CULVERT TO 60" CMP CULVERT.  
SEE SHEET 2 DETAILS

EXISTING 60" CMP CULVERT

APPROXIMATE  
SINK HOLE LOCATION

EXISTING 36" BOX CULVERT

EXISTING GALLUP  
PARK PATHWAY

EXISTING RAIL ROAD

SOUTH POND

c:\2075153901\civil\design\drawing\153901 ex-01 (ab)

2022.02.10 10:47:49 AM



Stantec Consulting Michigan Inc.  
3754 Rancho Drive  
Ann Arbor MI 48108-2771  
Tel: (734) 761-1010  
www.stantec.com

Notes

Client/Project

CITY OF ANN ARBOR

GALLUP PARK PATHWAY  
CULVERT FAILURE  
AS-BUILT

Project No.

2075153901

Title

CULVERT FAILURE  
LOCATION

Revision

0

Date

2022.02.10

Reference Sheet

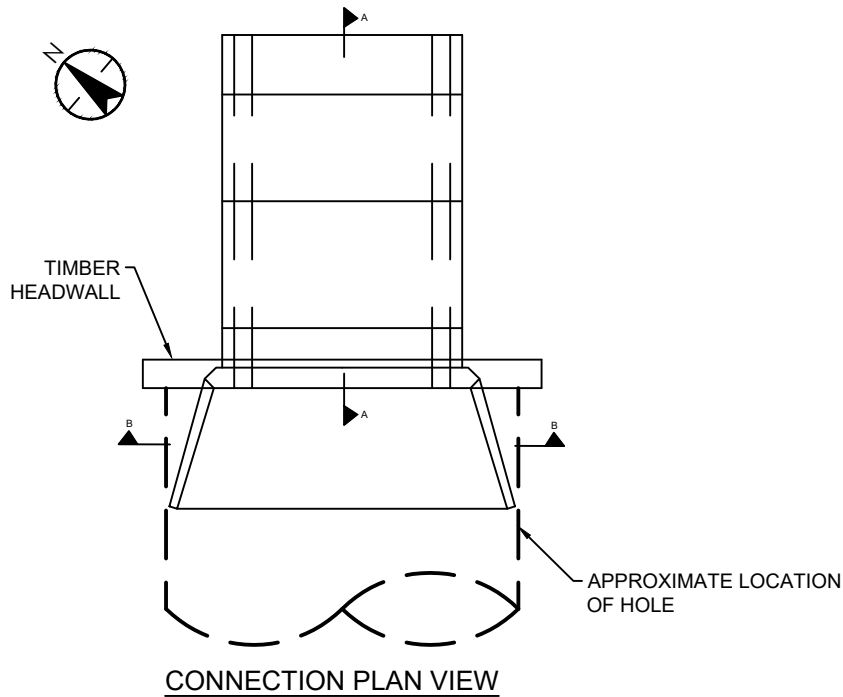
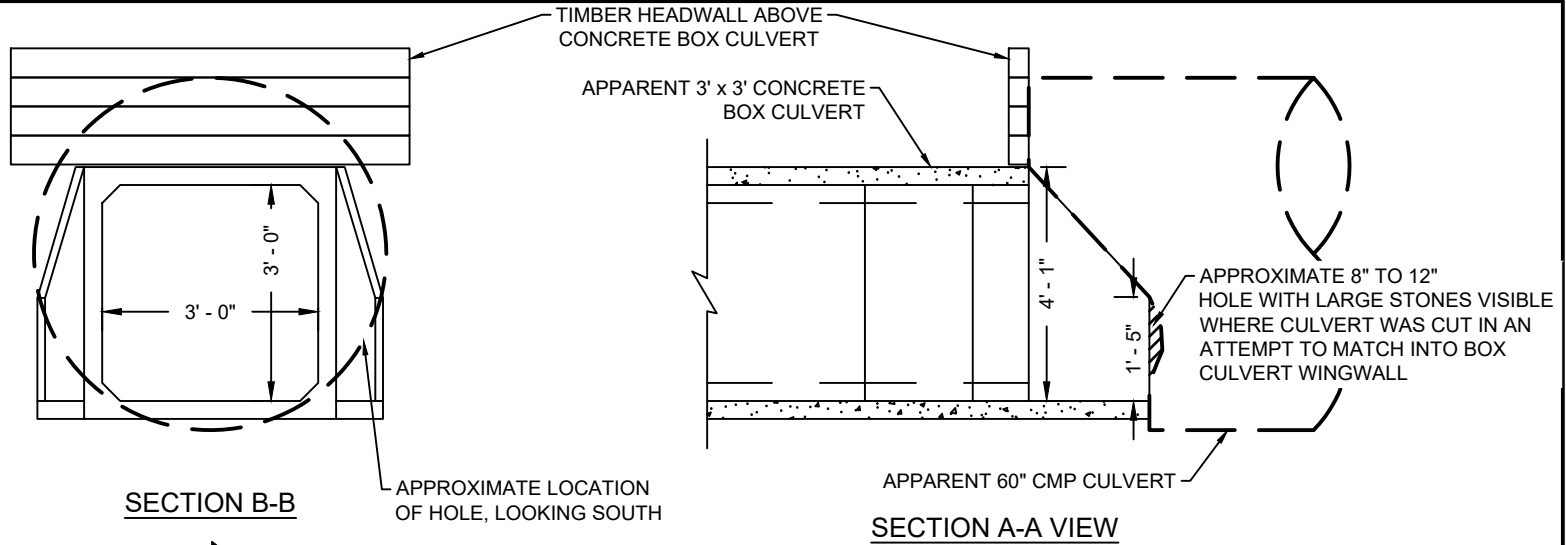
-

Sheet No.

1

c:\2075153901\civil\design\drawing\153901 ex-01 (ab)

2022.02.10 10:47:54 AM



Stantec Consulting Michigan Inc.  
 3754 Rancho Drive  
 Ann Arbor MI 48108-2771  
 Tel: (734) 761-1010  
 www.stantec.com

Notes

Client/Project

CITY OF ANN ARBOR

GALLUP PARK PATHWAY  
 CULVERT FAILURE  
 AS-BUILT

Project No.

2075153901

Title

CULVERT CONSTRUCTION  
 DETAIL

Revision

0

Date

2022.02.10

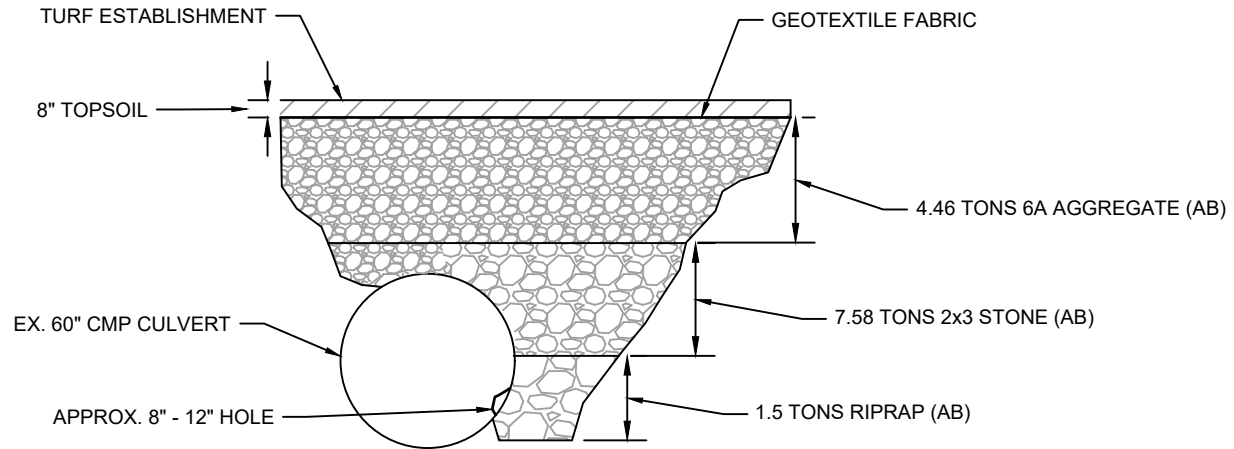
Reference Sheet

-

Sheet No.

2

**NOTE:**  
 GEOTEXTILE FABRIC AND TOPSOIL  
 TO BE PLACED IN SPRING



SINK HOLE REPAIR CROSS SECTION

c:\2075153901\civil\design\drawing\153901 ex-01 (ab)

2022.02.10 10:47:59 AM



Stantec Consulting Michigan Inc.  
 3754 Rancho Drive  
 Ann Arbor MI 48108-2771  
 Tel: (734) 761-1010  
 www.stantec.com

Notes

Client/Project

CITY OF ANN ARBOR

GALLUP PARK PATHWAY  
 CULVERT FAILURE  
 AS-BUILT

Project No.

2075153901

Title

SINKHOLE REPAIR DETAIL

Revision

0

Date

2022.02.10

Reference Sheet

-

Sheet No.

3



PLAIN RIP-RAP



2x3 STONE



6A STONE



Stantec Consulting Michigan Inc.  
3754 Rancho Drive  
Ann Arbor MI 48108-2771  
Tel: (734) 761-1010  
www.stantec.com

Notes

Client/Project

CITY OF ANN ARBOR

GALLUP PARK PATHWAY  
CULVERT FAILURE  
AS-BUILT

Project No.

2075153901

Title

REPAIR IMAGES

Revision

0

Reference Sheet

-

Date

2022.02.10

Sheet No.

4