

*Doors designed to let the view be the star.*

Modern residential design demands fluidity, dynamism and openness. Marvin® Contemporary Inswing and Outswing Doors feature 4 3/4" narrow stiles and rails to let more light pass unhindered through more glass. And the view is edged in 90° square glazing bead on the interior profile where glazing meets wood for a sleek, crisp look. It's an outstanding combination of simple clean lines, maximum light and flexibility.



INTERIOR



EXTERIOR

#### STANDARD FEATURES

Simple lines - 4 3/4" stiles and rails offer clean, uncluttered look.

Multi-point locking system on the active panel.

Head and foot bolts on inactive panel.

Maximum daylight - narrow bottom rail offers a larger glass size compared to the traditional French door.

Bronze sill; oak sill liner available.

Square interior glazing bead - enhances simple detail and appearance.

PG40 performance grade rating.

4 9/16" jambs.

## CONTEMPORARY DOOR HARDWARE

A new standard handle lets you match the lines of the Marvin Contemporary Swinging Door with elegantly styled, complementary hardware.

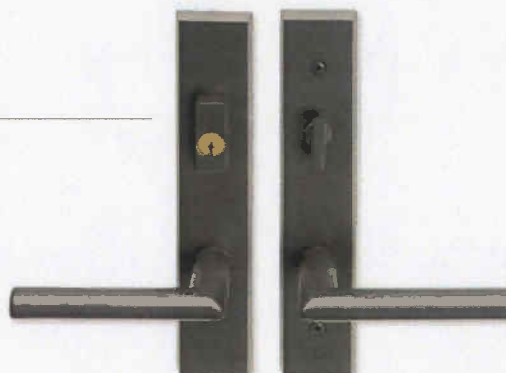
#### STANDARD FEATURES

Available as the default hardware for the Contemporary Door.

Available in Satin Taupe or Dark Bronze.

Square escutcheon.

Striking, modern lever profile.





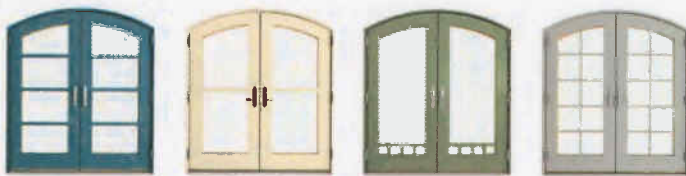
**INSWING**



**OUTSWING**



**ARCH TOP**



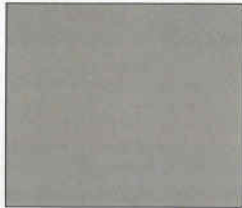
**DESIGN POSSIBILITIES**

There are many more designs for divided lites.  
Visit [Marvin.com](http://Marvin.com) for more possibilities.

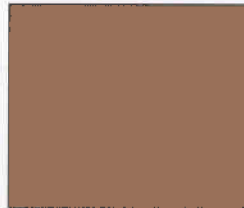
# MARVIN® OPTIONS: STANDARD & CUSTOM COLORS

---

## STANDARD CLAD COLORS:



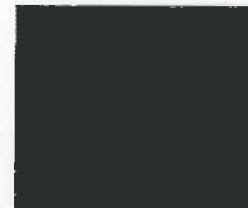
**BRIGHT SILVER**  
*PEARLESCENT*



**COPPER**  
*PEARLESCENT*



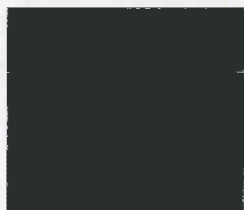
**PEBBLE GRAY**



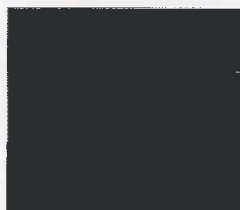
**BRONZE**



**STONE WHITE**



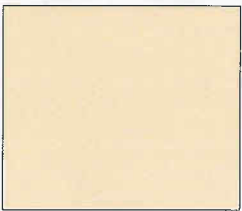
**EBONY**



**EVERGREEN**



**WINEBERRY**



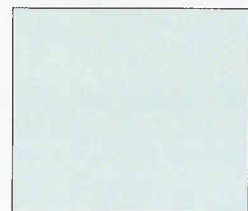
**COCONUT CREAM**



**HAMPTON SAGE**



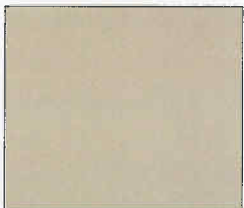
**CASHMERE**



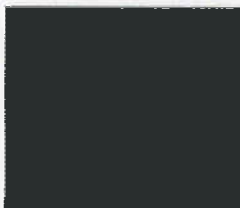
**ARCTIC WHITE**



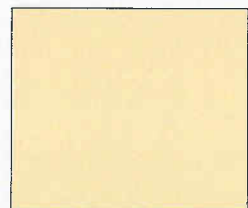
**CUMULUS GRAY**



**DESERT BEIGE**



**BAHAMA BROWN**

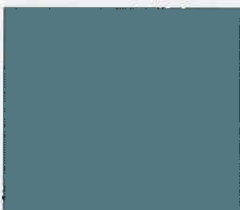


**SIERRA WHITE**

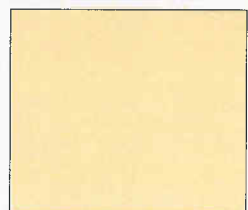
Printed color may  
not be an accurate  
representation.  
Ask your local Marvin  
retailer for color chips.



**CADET GRAY**



**CASCADE BLUE**



**FRENCH VANILLA**

*Any color. Any window or door. You name it.*

## CUSTOM CLAD COLORS:

# ANY COLOR YOU WANT



**BUNRATTY SLATE**

*by John S.*



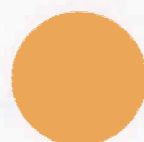
**BOCA CHICA**

*by Bob B.*



**BROWN ROSE**

*by John S.*



**PRAIRIE HOME**

*by Fredrick G.*



**CRUISER BIKE**

*by Jennifer H.*

- 1 -  
**CHOOSE ANY  
COLOR FOR  
INSPIRATION.**

Find us a sample of any color you can imagine. The color of your favorite flower, the color of a stone from up at the lake. Name the color.

- 2 -  
**GIVE IT  
TO US TO  
MATCH.**

Your Marvin® dealer will send us the color and name. We'll match your custom color in a strong, durable coat of 70% PVDF finish on extruded aluminum cladding that is super-resistant to fading and chalking.

- 3 -  
**GET A 20 YEAR  
WARRANTY ON YOUR  
CUSTOM FINISH.**

Your windows will have the color you love for a long, long time: 20-year warranty\* against loss of adhesion, chalking and fading.

\*Some colors may not qualify for the 20-year warranty. For details contact your local dealer. For a copy of the warranty, see [Marvin.com](http://Marvin.com)

## THE MARVIN DIFFERENCE: EXTRUDED ALUMINUM CLADDING

EXTRUDED ALUMINUM vs. ROLL-FORM ALUMINUM



Our extruded aluminum cladding is durable and impact resistant because it's about the thickness of a quarter. Quality extruded aluminum substrate provides a more uniform look that will, over time, exhibit minimal loss of adhesion, chalking and fading. The finish is applied after the extruded aluminum has been shaped so that it evenly coats every curve. By comparison, the 70% PVDF finish on extruded aluminum is 25% thicker by AAMA 2605 standards than the finish required on roll-form.

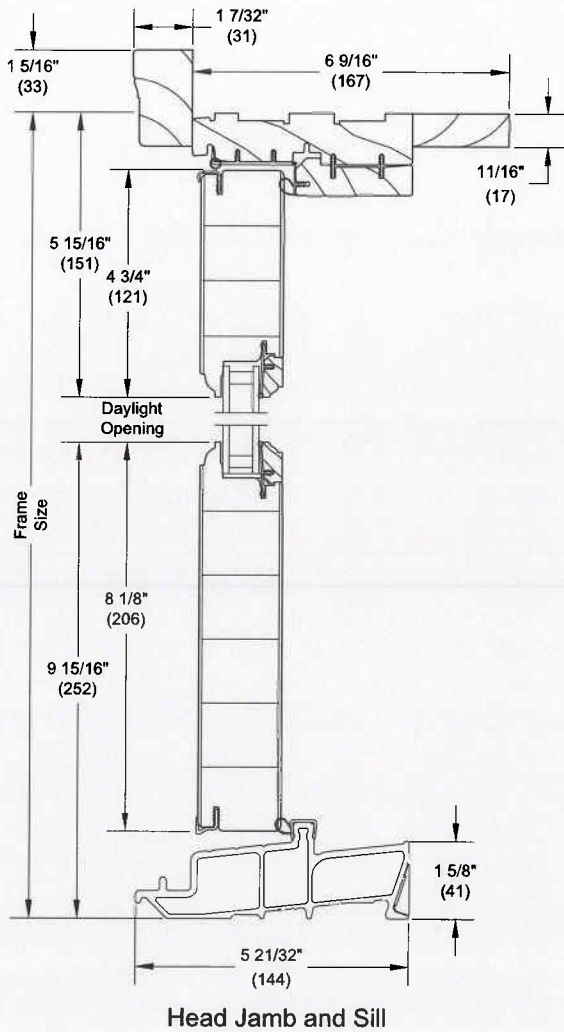


Roll-form aluminum, used by some of our competitors for parts of their cladding, is almost as thin as a soda can. Paint is applied to roll-form before it is shaped, so that the coating is stretched, stressed and thinned whenever it is bent. That can cause loss of adhesion, chalking and fading at the stress points.

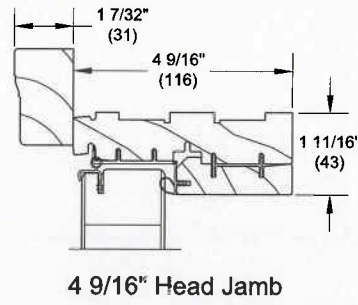
# 1 3/4" Wood Ultimate Swinging French Doors

## Outswing Section Details: Operating

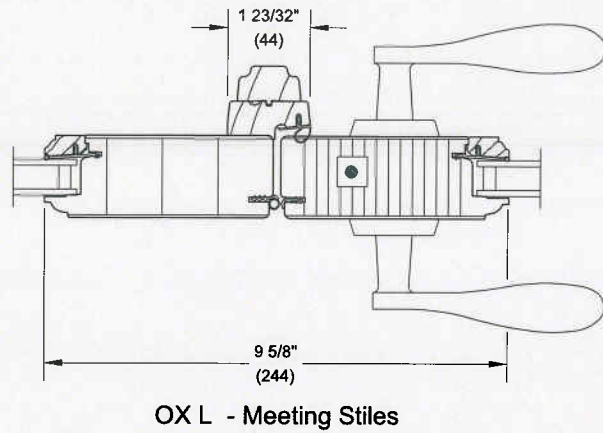
Scale: 3" = 1' 0"



Head Jamb and Sill

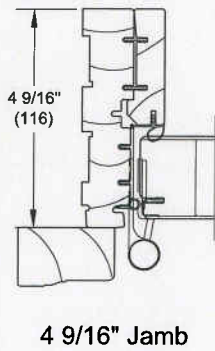


4 9/16" Head Jamb

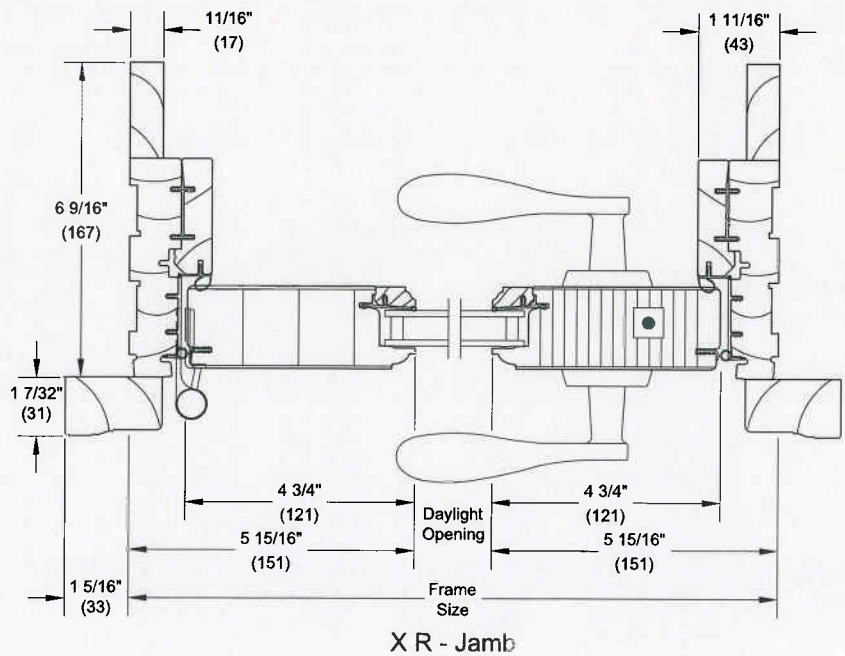


OX L - Meeting Stiles

## DOOR TYPES D3 / D5



4 9/16" Jamb

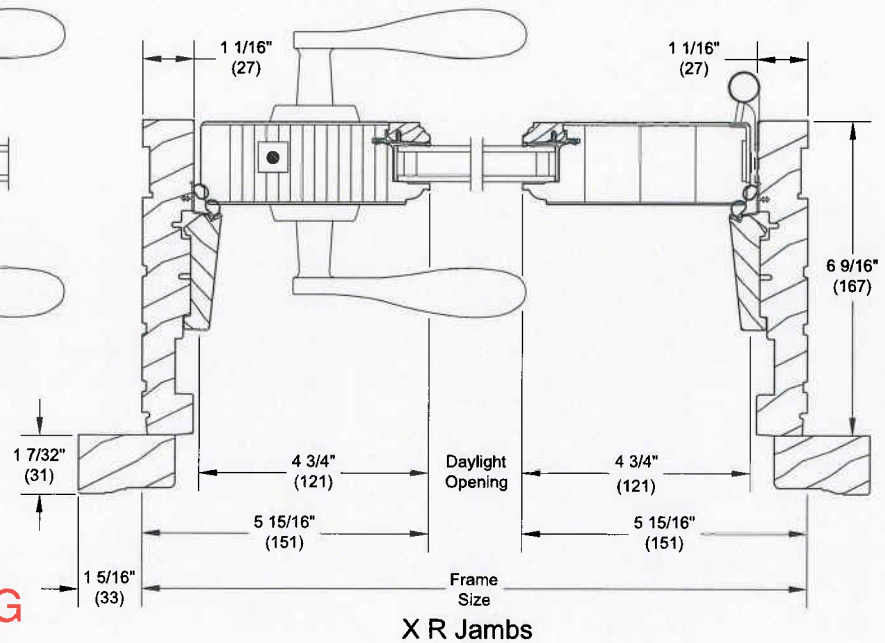
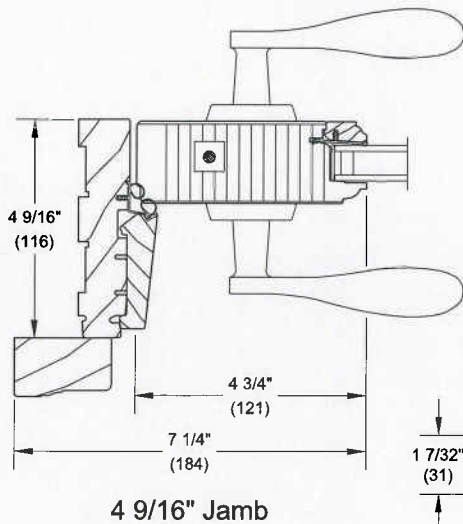
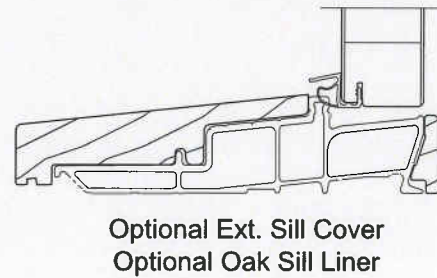
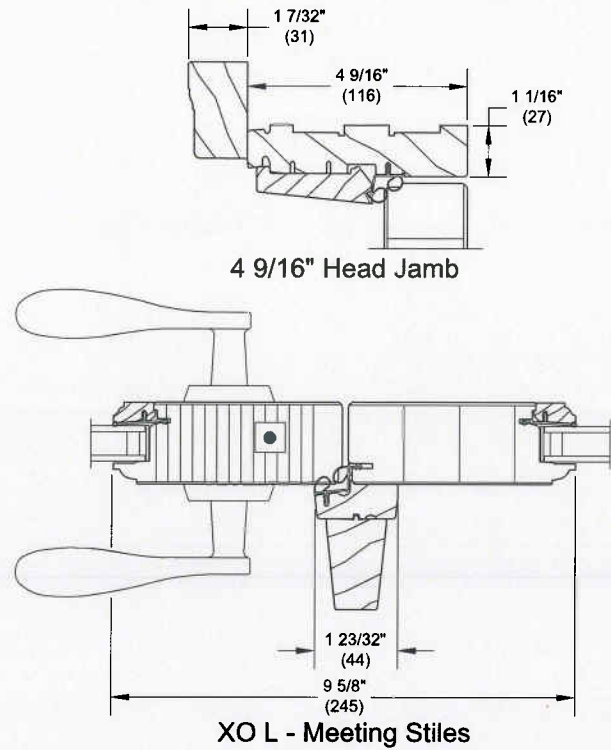
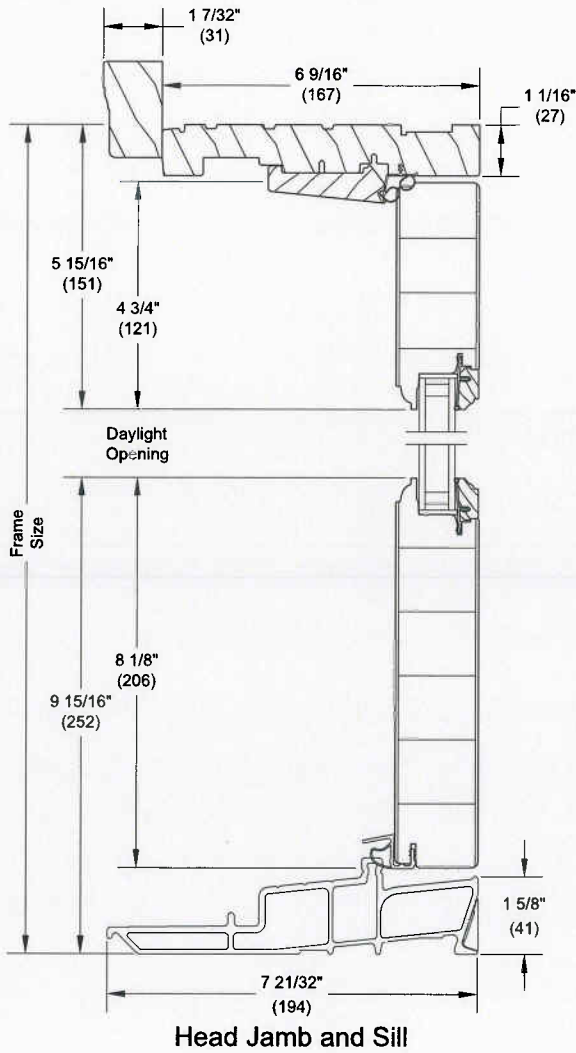


X R - Jamb

# 1 3/4" Wood Ultimate Swinging French Doors

## Inswing Section Details: Operating

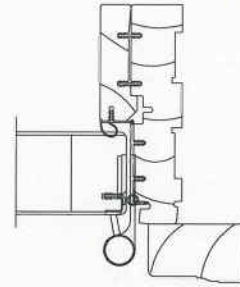
Scale: 3" = 1' 0"



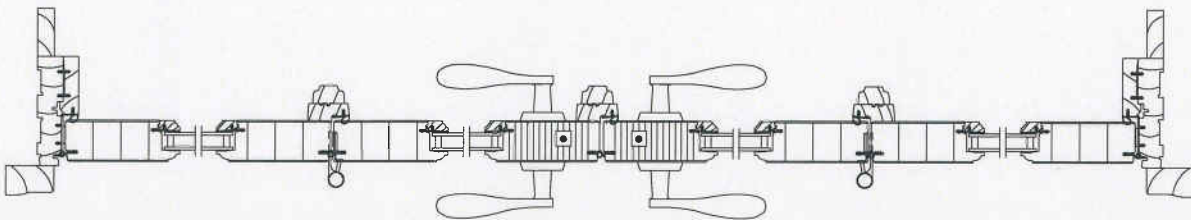
**DOOR TYPE D3 INSWING**

# 1 3/4" Wood Ultimate Swinging French Doors

## Outswing Section Details: Operating Panel Configurations



4 9/16" - Jamb  
Scale: 3" = 1'-0"



OXXO L - Jamb

### DOOR TYPE D4

*Windows so versatile, they defy convention.*



**ULTIMATE  
CASEMENT**



**4<sup>9</sup>/<sub>16</sub>"  
FULL JAMB**



Recessed sash for  
traditional or historic look.

**ULTIMATE REPLACEMENT  
CASEMENT**



**2<sup>3</sup>/<sub>16</sub>"  
NARROW JAMB**



Flush-to-frame sash for  
modern design style.

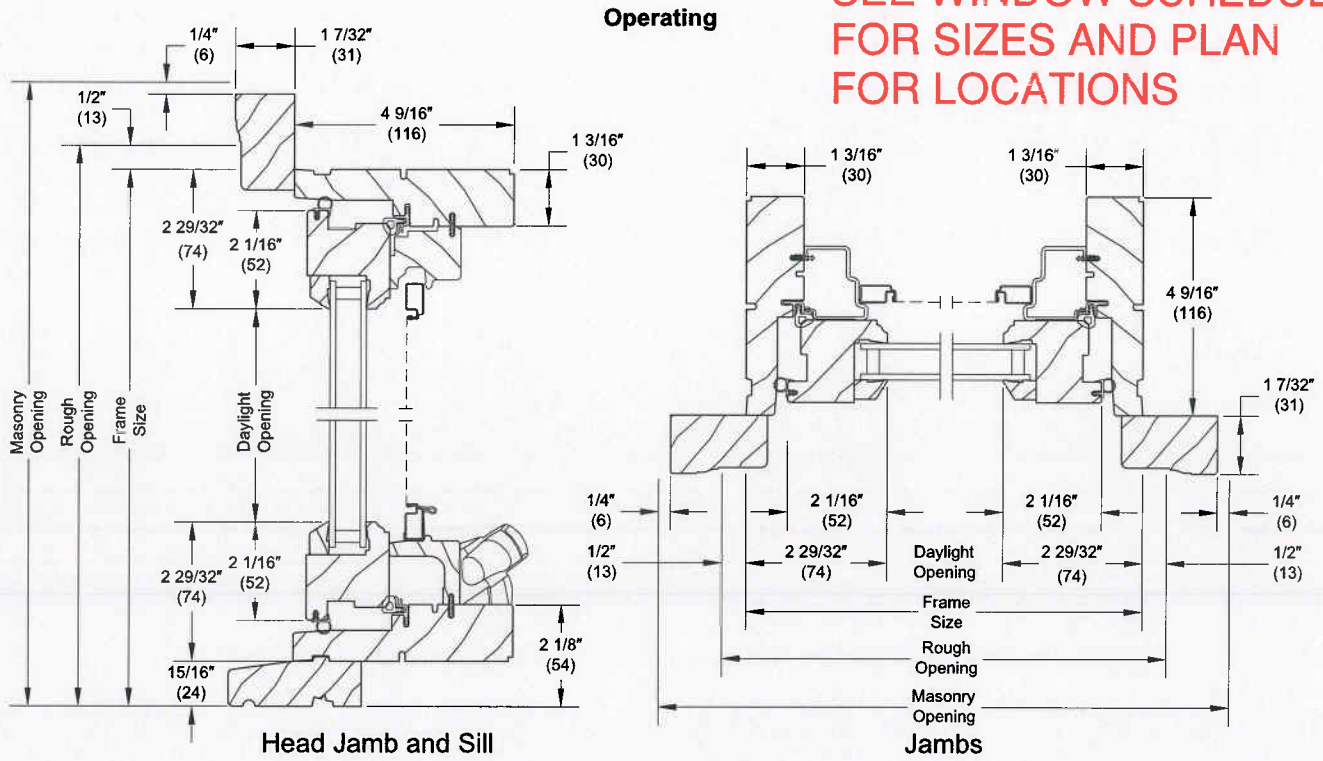


Wood Ultimate Casement, Awning and Picture

Section Details: Operating and Stationary / Picture - 3/4" (19) IG

Scale: 3" = 1' 0"

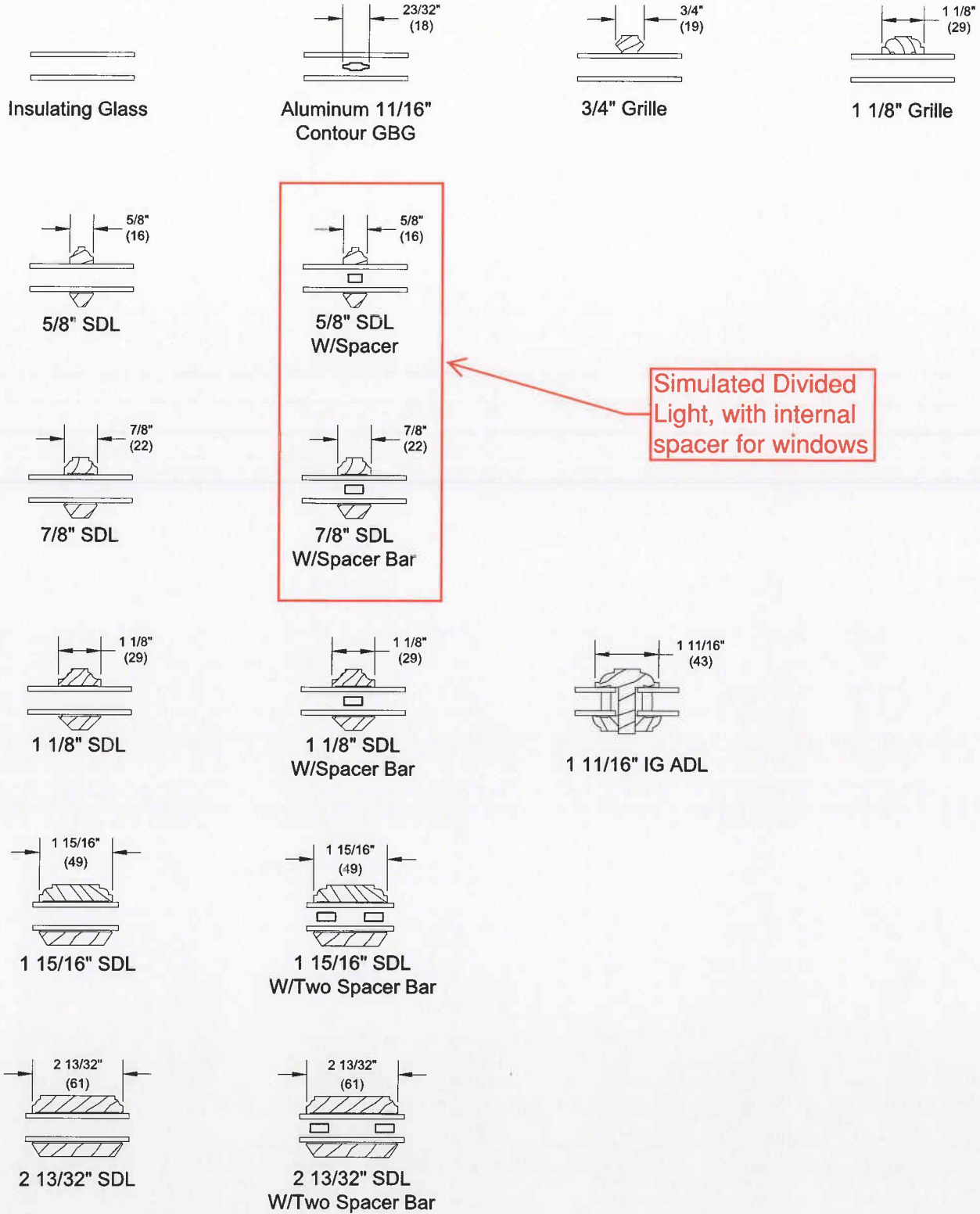
SEE WINDOW SCHEDULE  
FOR SIZES AND PLAN  
FOR LOCATIONS



WINDOW TYPES A, B & C

# Wood Ultimate Casement Collection

## Insulating Glass Lite Options



NOTE: ADL is not available with CE mark

