

**Thacher, Jill**

---

**From:** Matt Puz [matt@designteamplus.com]  
**Sent:** Thursday, July 02, 2015 3:05 PM  
**To:** Thacher, Jill  
**Subject:** Re: JRC Square Footages

Jill-

Below are dimensions for the landscape planter. I'm working on putting together specs for the doors/windows as well. I can tell you now that they will be Jeld-wen doors and windows but more specifics will follow later.

Front yard landscape planter – what's the height of the metal fence? Height of paver wall? Diameter of bed and inner circle? (I estimated 7' and 5'.) **Diameter of sign?**

The front yard planter dimensions are as follows:  
 Height of Paver wall: 6"  
 Height of metal fence: 2'-0" above paver wall  
 Paver wall diameter: 7'-0"  
 Planting bed diameter: 6'-4"  
 Inner circle diameter: 5'-0"  
 Sign diameter: 1'-9"

Thanks,  
 Matt Puz

**DesignTeam+**

DesignTeam Plus, LLC  
 975 East Maple Rd., Suite 210  
 Birmingham, Michigan 48009

**Team4Community, L3C**

w. 248.559.1000  
 c. 313.409.1192  
[matt@designteamplus.com](mailto:matt@designteamplus.com)  
[www.designteamplus.com](http://www.designteamplus.com)

---

**From:** "Thacher, Jill" <JThacher@a2gov.org>  
**To:** Matt Puz <matt@designteamplus.com>  
**Sent:** Thursday, July 2, 2015 1:20 PM  
**Subject:** RE: JRC Square Footages

Thanks Matt! Have a great holiday weekend. Jill

---

**From:** Matt Puz [mailto:matt@designteamplus.com]  
**Sent:** Thursday, July 02, 2015 12:52 PM  
**To:** Thacher, Jill

**Cc:** Harold Remlinger  
**Subject:** JRC Square Footages

Good afternoon Jill-

Here are the numbers based on our discussion. Note - these are all gross square footages and include wall thicknesses.

Existing square footage to be removed:

Basement: 195 (this is merely foundation work)

1st Floor: 195

2nd Floor: 195

3rd Floor: N/A

Total Removed: 585 square feet

Proposed square footage:

Basement: 851 (this does not include space for window wells)

1st Floor: 927

2nd Floor: 865

3rd Floor: 584 (this does not include any of the exterior stairs/landings up to any of the floors)

Total Proposed: 3,227 square feet

I also calculated roughly 3,774 gross square feet for the existing building based on our field measurements. I'm not sure if the 3,376 square feet you mentioned earlier was just living space or gross square footage.

Let me know if I can do anything else for you.

Thanks,  
Matt Puz

**DesignTeam+**

DesignTeam Plus, LLC  
975 East Maple Rd., Suite 210  
Birmingham, Michigan 48009

**Team4Community, L3C**

w. 248.559.1000

c. 313.409.1192

[matt@designteamplus.com](mailto:matt@designteamplus.com)

[www.designteamplus.com](http://www.designteamplus.com)



**Auralast® Wood protects against wood rot for as long as you own and occupy your home. Guaranteed.**

**LIFETIME WARRANTY**

**Guaranteed Protection Against Wood Rot**

Auralast® Wood is made by using a dip-treatment process to saturate the core of the wood. Traditional dip-treatments use a solvent-based chemical bath. During production our Auralast process releases 96% fewer volatile organic compounds than the traditional dip-treatment method.

**100% WOOD**

**Surface-to-Core Protection**  
Because of our vacuum-pressure process, 100% penetration of the protective ingredients. Other manufacturers use surface-treatment methods, which only protect the outer surface of the wood.

**100% WOOD**

**Working With Auralast**  
Auralast offers the strength and beauty of real wood because it is real wood, not a composite. Auralast® Wood is GORILLA, Stainable and Durable.



Virtually 100% Surface-to-Core Protection

**100% WOOD**

**Auralast is Safe**

Auralast® Wood is made by using a dip-treatment process to saturate the core of the wood. Traditional dip-treatments use a solvent-based chemical bath. During production our Auralast process releases 96% fewer volatile organic compounds than the traditional dip-treatment method.



Traditional treatments only protect the outer surface

**A JELD-WEN Exclusive**

Only JELD-WEN makes window and door products with natural pine Auralast Wood that are built to last.

**Protects Against Water Saturation**

Auralast Wood offers superior resistance to water saturation, which protects against swelling that causes windows and doors to stick.

**Protects Against Termites**

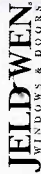
Harmful termites will eat through unprotected wood, not so with Auralast Wood.

Visit [jeld-wen.com/auralast](http://jeld-wen.com/auralast) for more information

**\*Auralast Lifetime Limited Warranty Coverage for Wood Decay and Termite Damage**

JELD-WEN products made from pine Auralast Wood will not rot.

The JELD-WEN® website is your ultimate resource for learning about our reliable windows and doors. It has all the product information and design advice you need. Visit us at [jeld-wen.com](http://jeld-wen.com) today.



**THE JELD-WEN PROMISE**

JELD-WEN products create lasting value for your home. We are so confident that you will be pleased with our W-2500 Clad Wood Windows, that each one carries our industry leading warranty. Here are just some of the highlights of our warranty:

**The Window & Patio Door Limited Warranty includes:**

- 10-year limited warranty, protects against wood rot for as long as you own and occupy your home.
- 20-year coverage against defects in materials and workmanship for glass, perfect components such as insulating glass, metal and wood components, and hardware.
- 20-year coverage on Kynar® clad finish, 10-year coverage on polyester clear finishes.
- Skilled labor coverage for warranty repairs for 2 years.
- Coverage is transferable for 10 years.

NOTE: The above information is the summary of key provisions of the JELD-WEN Window & Patio Door Limited Warranty. For a complete copy of the current warranty, see your sales associate or refer to [www.jeld-wen.com](http://www.jeld-wen.com).



© 2014 JELD-WEN, Inc. This publication and its contents are owned by JELD-WEN, Inc. and are printed under the U.S. Copyright Act and JELD-WEN, Inc. or others. No warranty can be made for the use of the information contained herein for purposes not intended or controlled by JELD-WEN. JELD-WEN reserves the right to change product type, features, material and price without notice. Please check our website, [jeld-wen.com](http://jeld-wen.com), for current information. 11-91099-03/14, 11-PS-0514-1300

**W-2500**  
**Clad-Wood Window Features**  
Awning | Casement | Double-Hung | Fixed, Radius and Esometric



HC15-102

## STYLES, LITES, COLORS & GLASS

**Window Styles**

- 1. Awning
- 2. Casement
- 3. Double-hung
- 4. Picture
- 5. Sliding
- 6. Tilt and Turn
- 7. Transom
- 8. Walk-in
- 9. Window Wall
- 10. Window Wall with Awning

**Standard Prefinished Interiors\***

1. Primed
2. Brilliant White
3. Ivory
4. Desert Sand
5. Chair Lacquer
6. White
7. Crisp
8. Freshwood
9. Cordovan
10. Walnut

\*Colors shown may vary from final finish.

**SUSTAINABLE FORESTRY INITIATIVE**  
FSC® certified or SFI® certified wood available. See your JELD-WEN dealer for details.

**Divided Lites**

- 1. Full Seamed (FS) and Knocked Down (KD) Removable Wood Grilles
- 2. Grilles Between the Glass (GBG)
- 3. Simulated Divided Lites (SDL)

**Clad Colors\***

- Brilliant White
- French Vanilla
- Desert Sand
- Chateau Bronze
- Arctic Red
- Hickory Green
- Black

\*Colors shown may vary from actual color.

**Decorative Glass Options**

- 1. Tinted Glass: Reduces glare and is ideal for areas with a lot of direct sunlight in the summer.
- 2. Textured Glass: Lets light in while maintaining privacy.
- 3. Obscure
- 4. Low-E
- 5. 366

## HARDWARE & SCREEN OPTIONS

**Double-Hung Sash Options**

- Standard Sash Options
- Traditional Sash Options

**Window Hardware**

- Lowring Laminite
- Sash Lock

**Painted Finishes**

- White
- Desert Sand
- Chateau Bronze
- Prismatic
- Out-Rush
- Bees

**Plated Finishes**

- Antique Bronze
- Extreme Bronze

**Double-Hung Jamb Liner Options**

- Without Optional Jamb Liner Edge Cover
- With Optional Jamb Liner Edge Cover

**Screen Options\***

These screens are designed to keep insects outside, while letting in natural light inside. They feature fine, black fiberglass mesh with a light gloss finish. BetterVue® insect screens are standard for awning, casement and double-hung windows.

- Regular Screen
- BetterVue® Screen
- UltraVue® Screen

View through regular flycatcher insect screen (standard)

View through BetterVue insect screen (standard)

View through UltraVue insect screen (standard)

\*These screens are for decorative purposes only. Insect screens are intended to allow air and light in, while keeping insects out. They are not intended to stop children from falling through or open above or window. For safety screens and other security screens, contact your local building supply retailer.

## PERFORMANCE GLASS OPTIONS

**Low-E, LoE<sup>+</sup>-366 and Low-E EC Insulating Glass**

High-performance low-E insulating glass comes standard to help lower energy costs, allows homes to stay cooler in the summer and warmer in the winter, prevents fading of interior furnishings, and reduces condensation. It also offers greater visible light transmittance than standard glass. We also offer optional LoE<sup>+</sup>-366, which provides even more protection against heat loss and fading, as well as greater energy savings.

Most symbols and photo Boos with Low-E glass are ENERGY STAR® qualified ENERGY STAR products help Assessors save energy, save money, and reduce their carbon footprints. ENERGY STAR criteria for windows are based on the U-factor and SHGC combinations that provide significant energy efficiency for a given climate zone. And let your JELD-WEN® dealer show you what a given climate zone and let your JELD-WEN® dealer show you what a given climate zone. JELD-WEN windows that are ENERGY STAR qualified for your climate zone.

For even more protection, choose Low-E EC for an "extra coating" that improves the thermal performance of our windows and is the optimal solution for meeting ENERGY STAR criteria in certain regions of the country. For more information, visit [www.jeld-wen.com/energyefficiency](http://www.jeld-wen.com/energyefficiency).

In winter, Low-E glass reflects the sun's energy from radiating the bank.

In summer, Low-E glass reduces the heat gain by reflecting it back inside.

**ENERGY STAR**

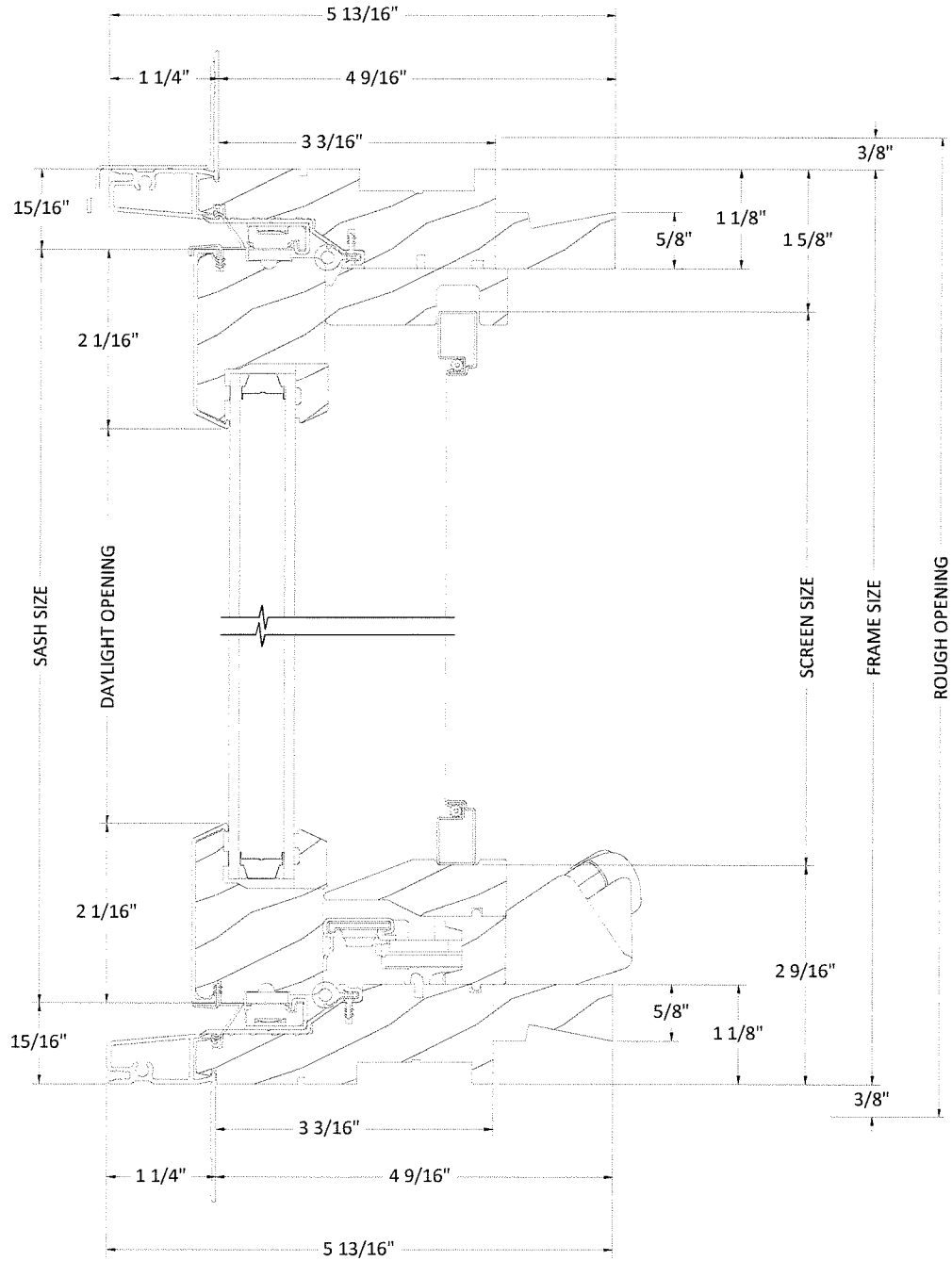
The W-2500 line meets ENERGY STAR criteria in all four climate zones in the United States. ENERGY STAR criteria are achieved in North, South Central, and South Central climate zones with the standard glass package of LoE<sup>+</sup>-270 with argon, and in the Southern zone when gilles are used. Without gilles, Southern zone ENERGY STAR criteria are achieved with LoE<sup>+</sup>-366 and argon.

**Tax Credits, Rebates and Incentives**

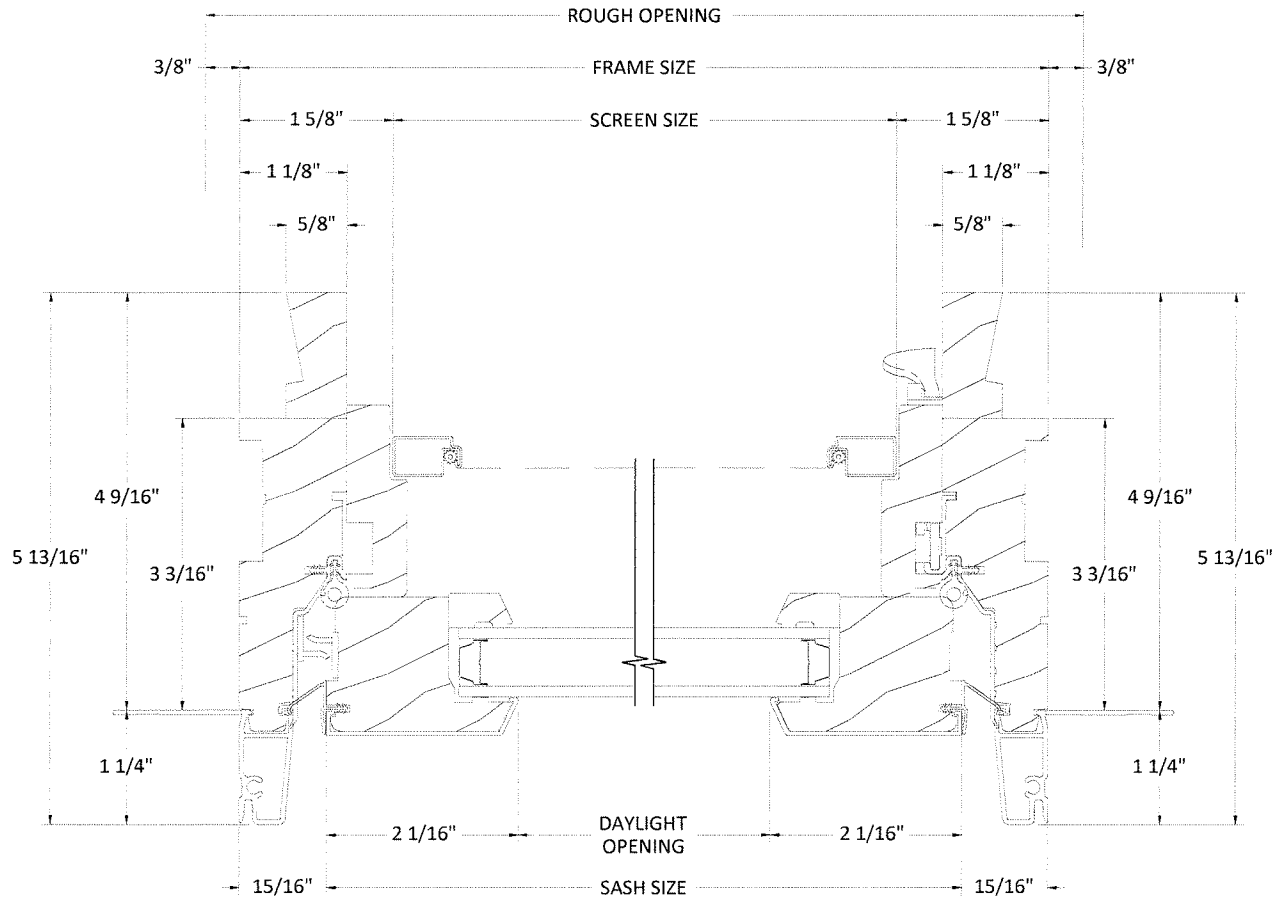
The JELD-WEN website is a great source of information for Tax Credits, rebates and incentives on energy efficient products. Visit [www.jeld-wen.com](http://www.jeld-wen.com) for more information. Because the windows in our W-2500 window line are so energy efficient, replacing old windows can mean money in your pocket.



**VERTICAL SECTION  
OPERATOR**



**HORIZONTAL SECTION  
OPERATOR**



**SITELINE CLAD WINDOW  
SITELINE CASEMENT**

**VERTICAL SECTION  
FIXED**

