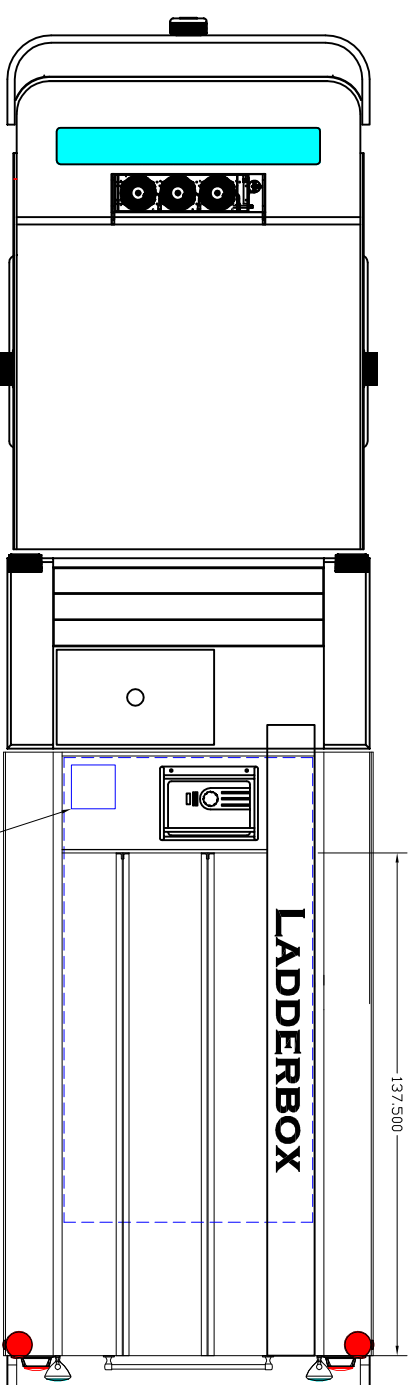


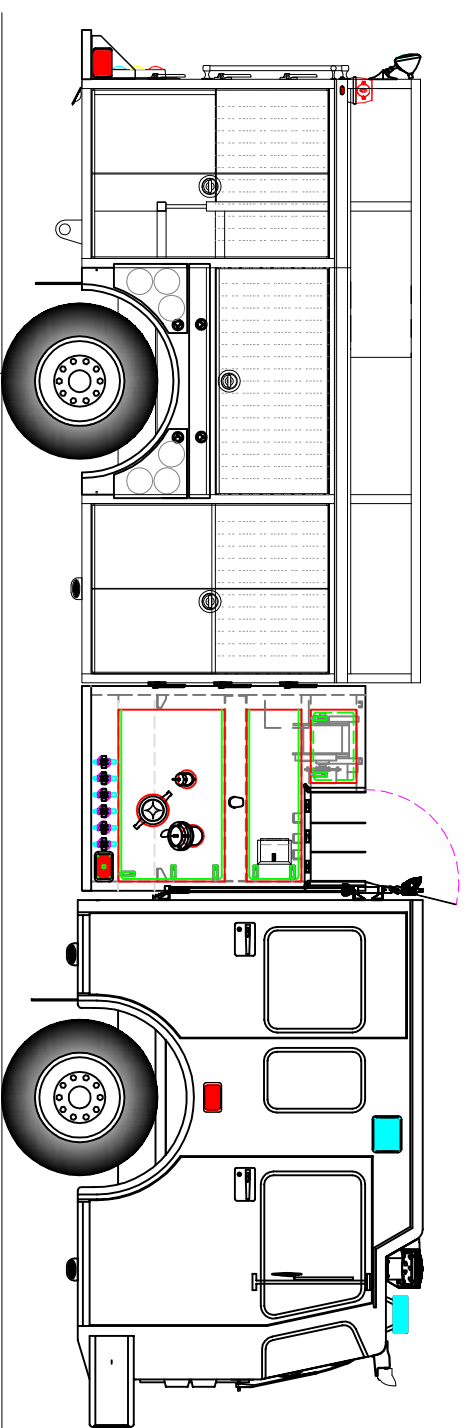
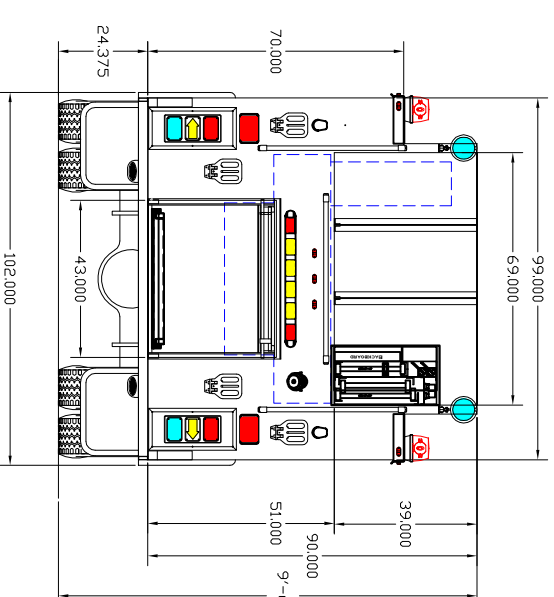
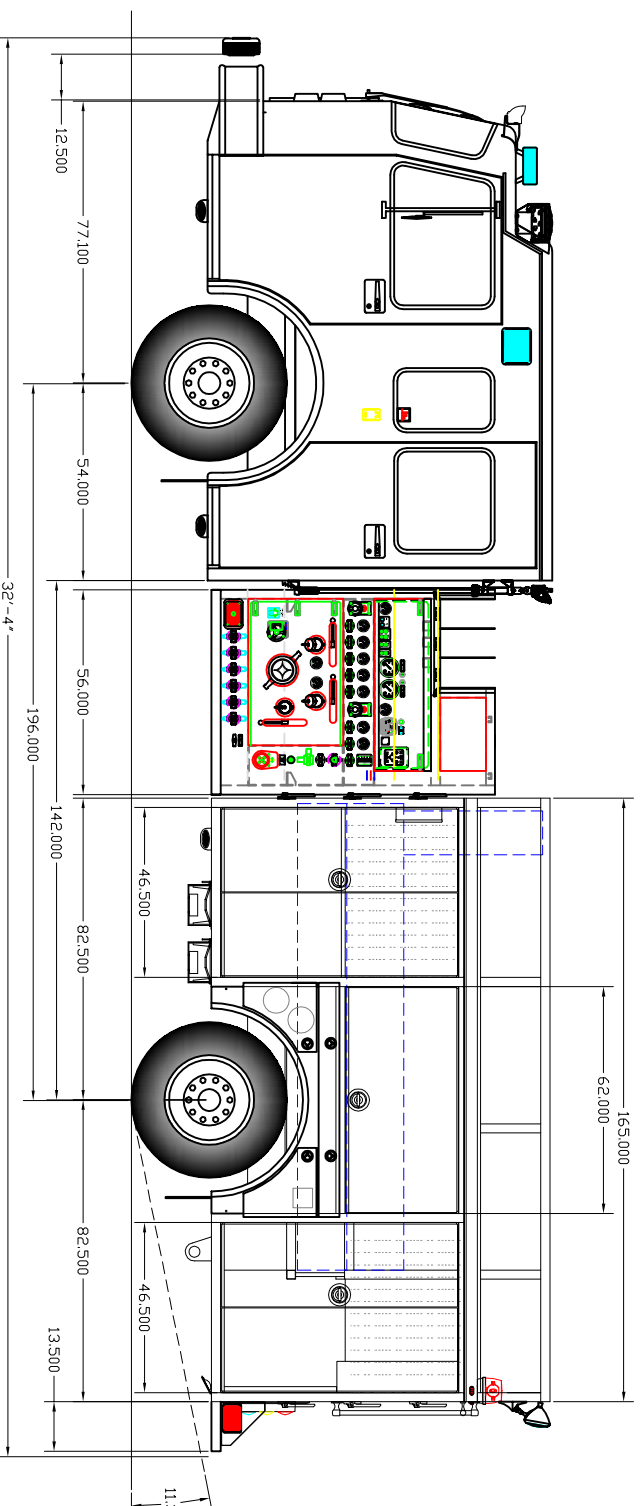
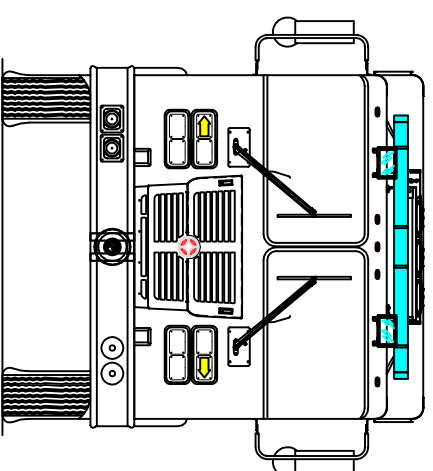
The Crimson Experience.

A RELATIONSHIP,
A MUTUAL RESPECT
AN UNDERSTANDING

DESIGNED AND DELIVERED
TO MEET YOUR NEEDS



WWW.CRIMSON-FIRE.COM



CUSTOMER

THIS DRAWING IS A CLOSE APPROXIMATION OF YOUR FIRE APPARATUS. IN ALL CASES WHERE THE DRAWING AND THE WRITTEN SPECIFICATION DIFFER, THE SPECIFICATION SHALL PREVAIL. PLEASE WORK WITH YOUR DEALER TO ASSURE THAT THE WRITTEN SPECIFICATION REPRESENTS WHAT YOU WANT IN YOUR FINISHED PRODUCT. CRIMSON FIRE BUILDS TO THE WRITTEN SPECIFICATION, NOT THE DRAWING TO ASSURE THAT YOUR NEEDS ARE MET.

UNLESS OTHERWISE SPECIFIED, THE APPARATUS REPRESENTED BY THIS DRAWING IS CONSIDERED TO BE IN A LOADED CONDITION.

TANK: 750 GAL

PUMP: WATEROUS CSU C20 TRANS 1500 GPM

CHASSIS: SPARTAN METRO STAR MFD 10" RR

REV DATE: 07-06-2010

DRAWN BY: BRADY GRAFF

PROPRIETARY AND CONFIDENTIAL THE INFORMATION CONTAINED IN THIS DRAWING IS THE SOLE PROPERTY OF CRIMSON FIRE ANY REPRODUCTION IN PART OR AS A WHOLE WITHOUT WRITTEN PERMISSION OF CRIMSON FIRE IS PROHIBITED.



CRIMSON FIRE
A Spartan Company