

CONTRACT

THIS CONTRACT is between the CITY OF ANN ARBOR, a Michigan Municipal Corporation, 301 East Huron Street, Ann Arbor, Michigan 48104 (“City”) and MELINK SOLAR, LLC (Contractor”), an Ohio limited liability company, located at 5140 River Valley Road, Milford, Ohio 45150. Based upon the mutual promises below, the Contractor and the City agree as follows:

ARTICLE I - Scope of Work

The Contractor agrees to furnish all of the materials, equipment and labor necessary; and to abide by all the duties and responsibilities applicable to it for the project titled Solar Installation at Designated City Sites in accordance with the requirements and provisions of the following documents, including all written modifications incorporated into any of the documents, all of which are incorporated as part of this Contract:

- | | |
|--|--------------------------------|
| Non-discrimination and Living Wage Declaration of Compliance Forms (if applicable) | General Conditions |
| Vendor Conflict of Interest Form | Standard Specifications |
| Prevailing Wage Declaration of Compliance Form (if applicable) | Detailed Specifications |
| RFP 21-05 | Plans |
| Proposal(s) submitted in response to RFP 21-05 | Addenda |
| Bid Forms | Presentations to Public Bodies |
| Contract and Exhibits | |
| Bonds | |

ARTICLE II - Definitions

Administering Service Area/Unit means **Office of Sustainability and Innovations**

Project means **Solar installations at designated City facilities and sites**

Supervising Professional means the person acting under the authorization of the manager of the Administering Service Area/Unit. At the time this Contract is executed, the Supervising Professional is: Simi Barr whose job title is Energy Coordinator. If there is any question concerning who the Supervising Professional is, Contractor shall confirm with the manager of the Administering Service Area/Unit.

Contractor’s Representative means Seth Parker whose job title is President.

ARTICLE III - Time of Completion

- (A) The work to be completed under this Contract shall begin immediately on the date specified in the Notice to Proceed issued by the City.
- (B) The entire work for this Contract shall be completed within 24 months.
- (C) Failure to complete all the work within the time specified above, including any extension granted in writing by the Supervising Professional, shall obligate the Contractor to pay the City, as liquidated damages and not as a penalty, an amount equal to \$500.00 for each calendar day of delay in the completion of all the work. If any liquidated damages are unpaid by the Contractor, the City shall be entitled to deduct these unpaid liquidated damages from the monies due the Contractor.

The liquidated damages are for the non-quantifiable aspects of any of the previously identified events and do not cover actual damages that can be shown or quantified nor are they intended to preclude recovery of actual damages in addition to the recovery of liquidated damages.

ARTICLE IV - The Contract Sum

Choose one only.

- (A) The City shall pay to the Contractor for the performance of the Contract, the lump sum price as given in the Bid Form in the amount of:

One Million, Four Hundred and Twenty-Seven Thousand, Four Hundred and Forty-Six Dollars (\$1,427,446.00)
- (B) The amount paid shall be equitably adjusted to cover changes in the work ordered by the Supervising Professional but not required by the Contract Documents. Increases or decreases shall be determined only by written agreement between the City and Contractor.

ARTICLE V - Assignment

This Contract may not be assigned or subcontracted any portion of any right or obligation under this contract without the written consent of the City. Notwithstanding any consent by the City to any assignment, Contractor shall at all times remain bound to all warranties, certifications, indemnifications, promises and performances, however described, as are required of it under this contract unless specifically released from the requirement, in writing, by the City.

ARTICLE VI - Choice of Law

This Contract shall be construed, governed, and enforced in accordance with the laws of the State of Michigan. By executing this Contract, the Contractor and the City agree to venue in a court of appropriate jurisdiction sitting within Washtenaw County for purposes of any action arising under this Contract. The parties stipulate that the venue referenced in this Contract is for convenience and waive any claim of non-convenience.

Whenever possible, each provision of the Contract will be interpreted in a manner as to be effective and valid under applicable law. The prohibition or invalidity, under applicable law, of any provision will not invalidate the remainder of the Contract.

ARTICLE VII - Relationship of the Parties

The parties of the Contract agree that it is not a Contract of employment but is a Contract to accomplish a specific result. Contractor is an independent Contractor performing services for the City. Nothing contained in this Contract shall be deemed to constitute any other relationship between the City and the Contractor.

Contractor certifies that it has no personal or financial interest in the project other than the compensation it is to receive under the Contract. Contractor certifies that it is not, and shall not become, overdue or in default to the City for any Contract, debt, or any other obligation to the City including real or personal property taxes. City shall have the right to set off any such debt against compensation awarded for services under this Contract.

ARTICLE VIII - Notice

All notices given under this Contract shall be in writing, and shall be by personal delivery or by certified mail with return receipt requested to the parties at their respective addresses as specified in the Contract Documents or other address the Contractor may specify in writing. Notice will be deemed given on the date when one of the following first occur: (1) the date of actual receipt; or (2) three days after mailing certified U.S. mail.

ARTICLE IX - Indemnification

To the fullest extent permitted by law, Contractor shall indemnify, defend and hold the City, its officers, employees and agents harmless from all suits, claims, judgments and expenses including attorney's fees resulting or alleged to result, in whole or in part, from any act or omission, which is in any way connected or associated with this Contract, by the Contractor or anyone acting on the Contractor's behalf under this Contract. Contractor shall not be responsible to indemnify the City for losses or damages caused by or resulting from the City's sole negligence. The provisions of this Article shall survive the expiration or earlier termination of this contract for any reason.

ARTICLE X - Entire Agreement

This Contract represents the entire understanding between the City and the Contractor and it supersedes all prior representations, negotiations, agreements, or understandings whether written or oral. Neither party has relied on any prior representations in entering into this Contract. No terms or conditions of either party's invoice, purchase order or other administrative document shall modify the terms and conditions of this Contract, regardless of the other party's failure to object to such form. This Contract shall be binding on and shall inure to the benefit of the parties to this Contract and their permitted successors and permitted assigns and nothing in this Contract, express or implied, is intended to or shall confer on any other person or entity any legal or equitable right, benefit, or remedy of any nature whatsoever under or by reason of this Contract. This Contract may be altered, amended or modified only by written amendment signed by the City and the Contractor.

ARTICLE XI – Electronic Transactions

The City and Contractor agree that signatures on this Contract may be delivered electronically in lieu of an original signature and agree to treat electronic signatures as original signatures that bind them to this Contract. This Contract may be executed and delivered by facsimile and upon such delivery, the facsimile signature will be deemed to have the same effect as if the original signature had been delivered to the other party.

FOR MELINK SOLAR, LLC

By _____
Name: Seth Parker, CEO

FOR THE CITY OF ANN ARBOR

By _____
Christopher Taylor, Mayor

By _____
Jacqueline Beaudry, City Clerk

Approved as to substance

By _____
Milton Dohoney, Jr., City Administrator

Approved as to form and content

Atleen Kaur, City Attorney

PERFORMANCE BOND

- (1) Melink Solar, LLC (referred to as "Principal"), and _____ a corporation duly authorized to do business in the State of Michigan (referred to as "Surety"), are bound to the City of Ann Arbor, Michigan (referred to as "City"), for _____ \$ 1,427,446.00 payment of which Principal and Surety bind themselves, their heirs, executors, administrators, successors and assigns, jointly and severally, by this bond.
- (2) The Principal has entered a written Contract with the City for Solar Installation at Designated City Sites _RFP No. 21-05 and this bond is given for that Contract in compliance with Act No. 213 of the Michigan Public Acts of 1963, as amended, being MCL 129.201 et seq.
- (3) Whenever the Principal is declared by the City to be in default under the Contract, the Surety may promptly remedy the default or shall promptly:
 - (a) complete the Contract in accordance with its terms and conditions; or
 - (b) obtain a bid or bids for submission to the City for completing the Contract in accordance with its terms and conditions, and upon determination by Surety of the lowest responsible bidder, arrange for a Contract between such bidder and the City, and make available, as work progresses, sufficient funds to pay the cost of completion less the balance of the Contract price; but not exceeding, including other costs and damages for which Surety may be liable hereunder, the amount set forth in paragraph 1.
- (4) Surety shall have no obligation to the City if the Principal fully and promptly performs under the Contract.
- (5) Surety agrees that no change, extension of time, alteration or addition to the terms of the Contract or to the work to be performed thereunder, or the specifications accompanying it shall in any way affect its obligations on this bond, and waives notice of any such change, extension of time, alteration or addition to the terms of the Contract or to the work, or to the specifications.
- (6) Principal, Surety, and the City agree that signatures on this bond may be delivered electronically in lieu of an original signature and agree to treat electronic signatures as original signatures that bind them to this bond. This bond may be executed and delivered by facsimile and upon such delivery, the facsimile signature will be deemed to have the same effect as if the original signature had been delivered to the other party.

SIGNED AND SEALED this _____ day of _____, 2022.

(Name of Surety Company)

By _____
(Signature)

Its _____
(Title of Office)

Approved as to form:

Atleen Kaur, City Attorney

Melink Solar, LLC
(Name of Principal)

By _____
(Signature)

Its _____
(Title of Office)

Name and address of agent:

LABOR AND MATERIAL BOND

- (1) Melink Solar, LLC (referred to as "Principal"), and _____ a corporation duly authorized to do business in the State of Michigan, (referred to as "Surety"), are bound to the City of Ann Arbor, Michigan (referred to as "City"), for the use and benefit of claimants as defined in Act 213 of Michigan Public Acts of 1963, as amended, being MCL 129.201 et seq., in the amount of \$ 1,427,446.00, for the payment of which Principal and Surety bind themselves, their heirs, executors, administrators, successors and assigns, jointly and severally, by this bond.
- (2) The Principal has entered a written Contract with the City entitled Solar Energy at Designated City Facilities, for RFP No. 21-05; and this bond is given for that Contract in compliance with Act No. 213 of the Michigan Public Acts of 1963 as amended;
- (3) If the Principal fails to promptly and fully repay claimants for labor and material reasonably required under the Contract, the Surety shall pay those claimants.
- (4) Surety's obligations shall not exceed the amount stated in paragraph 1, and Surety shall have no obligation if the Principal promptly and fully pays the claimants.
- (5) Principal, Surety, and the City agree that signatures on this bond may be delivered electronically in lieu of an original signature and agree to treat electronic signatures as original signatures that bind them to this bond. This bond may be executed and delivered by facsimile and upon such delivery, the facsimile signature will be deemed to have the same effect as if the original signature had been delivered to the other party.

SIGNED AND SEALED this _____ day of _____, 2022

(Name of Surety Company)
By _____
(Signature)
Its _____
(Title of Office)

Melink Solar, LLC
(Name of Principal)
By _____
(Signature)
Its _____
(Title of Office)

Approved as to form:

Atleen Kaur, City Attorney

Name and address of agent:

GENERAL CONDITIONS

Section 1 - Execution, Correlation and Intent of Documents

The contract documents shall be signed in 2 copies by the City and the Contractor.

The contract documents are complementary and what is called for by any one shall be binding. The intention of the documents is to include all labor and materials, equipment and transportation necessary for the proper execution of the work. Materials or work described in words which so applied have a well-known technical or trade meaning have the meaning of those recognized standards.

In case of a conflict among the contract documents listed below in any requirement(s), the requirement(s) of the document listed first shall prevail over any conflicting requirement(s) of a document listed later.

(1) Addenda in reverse chronological order; (2) Detailed Specifications; (3) Standard Specifications; (4) Plans; (5) General Conditions; (6) Contract; (7) Bid Forms; (8) Bond Forms; (9) Bid.

Section 2 - Order of Completion

The Contractor shall submit with each invoice, and at other times reasonably requested by the Supervising Professional, schedules showing the order in which the Contractor proposes to carry on the work. They shall include the dates at which the Contractor will start the several parts of the work, the estimated dates of completion of the several parts, and important milestones within the several parts.

Section 3 - Familiarity with Work

The Bidder or its representative shall make personal investigations of the site of the work and of existing structures and shall determine to its own satisfaction the conditions to be encountered, the nature of the ground, the difficulties involved, and all other factors affecting the work proposed under this Contract. The Bidder to whom this Contract is awarded will not be entitled to any additional compensation unless conditions are clearly different from those which could reasonably have been anticipated by a person making diligent and thorough investigation of the site.

The Bidder shall immediately notify the City upon discovery, and in every case prior to submitting its Bid, of every error or omission in the bidding documents that would be identified by a reasonably competent, diligent Bidder. In no case will a Bidder be allowed the benefit of extra compensation or time to complete the work under this Contract for extra expenses or time spent as a result of the error or omission.

Section 4 - Wage Requirements

Under this Contract, the Contractor shall conform to Chapter 14 of Title I of the Code of the City of Ann Arbor as amended; which in part states "...that all craftsmen, mechanics and laborers employed directly on the site in connection with said improvements, including said employees of

subcontractors, shall receive the prevailing wage for the corresponding classes of craftsmen, mechanics and laborers, as determined by statistics for the Ann Arbor area compiled by the United States Department of Labor. At the request of the City, any contractor or subcontractor shall provide satisfactory proof of compliance with the contract provisions required by the Section.

Pursuant to Resolution R-16-469 all public improvement contractors are subject to prevailing wage and will be required to provide to the City payroll records sufficient to demonstrate compliance with the prevailing wage requirements. A sample Prevailing Wage Form is provided in the Appendix herein for reference as to what will be expected from contractors. Use of the Prevailing Wage Form provided in the Appendix section or a City-approved equivalent will be required along with wage rate interviews.

Where the Contract and the Ann Arbor City Ordinance are silent as to definitions of terms required in determining contract compliance with regard to prevailing wages, the definitions provided in the Davis-Bacon Act as amended (40 U.S.C. 278-a to 276-a-7) for the terms shall be used.

If the Contractor is a "covered employer" as defined in Chapter 23 of the Ann Arbor City Code, the Contractor agrees to comply with the living wage provisions of Chapter 23 of the Ann Arbor City Code. The Contractor agrees to pay those employees providing Services to the City under this Contract a "living wage," as defined in Section 1:815 of the Ann Arbor City Code, as adjusted in accordance with Section 1:815(3); to post a notice approved by the City of the applicability of Chapter 23 in every location in which regular or contract employees providing services under this Contract are working; to maintain records of compliance; if requested by the City, to provide documentation to verify compliance; to take no action that would reduce the compensation, wages, fringe benefits, or leave available to any employee or person contracted for employment in order to pay the living wage required by Section 1:815; and otherwise to comply with the requirements of Chapter 23.

Contractor agrees that all subcontracts entered into by the Contractor shall contain similar wage provision covering subcontractor's employees who perform work on this contract.

Section 5 - Non-Discrimination

The Contractor agrees to comply, and to require its subcontractor(s) to comply, with the nondiscrimination provisions of MCL 37.2209. The Contractor further agrees to comply with the provisions of Section 9:158 of Chapter 112 of Title IX of the Ann Arbor City Code, and to assure that applicants are employed and that employees are treated during employment in a manner which provides equal employment opportunity.

Section 6 - Materials, Appliances, Employees

Unless otherwise stipulated, the Contractor shall provide and pay for all materials, labor, water, tools, equipment, light, power, transportation, and other facilities necessary or used for the execution and completion of the work. Unless otherwise specified, all materials incorporated in the permanent work shall be new, and both workmanship and materials shall be of the highest quality. The Contractor shall, if required, furnish satisfactory evidence as to the kind and quality of materials.

The Contractor shall at all times enforce strict discipline and good order among its employees, and shall seek to avoid employing on the work any unfit person or anyone not skilled in the work assigned.

Adequate sanitary facilities shall be provided by the Contractor.

Section 7 - Qualifications for Employment

The Contractor shall employ competent laborers and mechanics for the work under this Contract. For work performed under this Contract, employment preference shall be given to qualified local residents.

Section 8 - Royalties and Patents

The Contractor shall pay all royalties and license fees. It shall defend all suits or claims for infringements of any patent rights and shall hold the City harmless from loss on account of infringement except that the City shall be responsible for all infringement loss when a particular process or the product of a particular manufacturer or manufacturers is specified, unless the City has notified the Contractor prior to the signing of the Contract that the particular process or product is patented or is believed to be patented.

Section 9 - Permits and Regulations

The Contractor must secure and pay for all permits, permit or plan review fees and licenses necessary for the prosecution of the work. These include but are not limited to City building permits, right-of-way permits, lane closure permits, right-of-way occupancy permits, and the like. The City shall secure and pay for easements shown on the plans unless otherwise specified.

The Contractor shall give all notices and comply with all laws, ordinances, rules and regulations bearing on the conduct of the work as drawn and specified. If the Contractor observes that the contract documents are at variance with those requirements, it shall promptly notify the Supervising Professional in writing, and any necessary changes shall be adjusted as provided in the Contract for changes in the work.

Section 10 - Protection of the Public and of Work and Property

The Contractor is responsible for the means, methods, sequences, techniques and procedures of construction and safety programs associated with the work contemplated by this contract. The Contractor, its agents or sub-contractors, shall comply with the "General Rules and Regulations for the Construction Industry" as published by the Construction Safety Commission of the State of Michigan and to all other local, State and National laws, ordinances, rules and regulations pertaining to safety of persons and property.

The Contractor shall take all necessary and reasonable precautions to protect the safety of the public. It shall continuously maintain adequate protection of all work from damage, and shall take all necessary and reasonable precautions to adequately protect all public and private property from injury or loss arising in connection with this Contract. It shall make good any damage, injury or loss to its work and to public and private property resulting from lack of reasonable protective precautions, except as may be due to errors in the contract documents, or caused by agents or

employees of the City. The Contractor shall obtain and maintain sufficient insurance to cover damage to any City property at the site by any cause.

In an emergency affecting the safety of life, or the work, or of adjoining property, the Contractor is, without special instructions or authorization from the Supervising Professional, permitted to act at its discretion to prevent the threatened loss or injury. It shall also so act, without appeal, if authorized or instructed by the Supervising Professional.

Any compensation claimed by the Contractor for emergency work shall be determined by agreement or in accordance with the terms of Claims for Extra Cost - Section 15.

Section 11 - Inspection of Work

The City shall provide sufficient competent personnel for the inspection of the work.

The Supervising Professional shall at all times have access to the work whenever it is in preparation or progress, and the Contractor shall provide proper facilities for access and for inspection.

If the specifications, the Supervising Professional's instructions, laws, ordinances, or any public authority require any work to be specially tested or approved, the Contractor shall give the Supervising Professional timely notice of its readiness for inspection, and if the inspection is by an authority other than the Supervising Professional, of the date fixed for the inspection. Inspections by the Supervising Professional shall be made promptly, and where practicable at the source of supply. If any work should be covered up without approval or consent of the Supervising Professional, it must, if required by the Supervising Professional, be uncovered for examination and properly restored at the Contractor's expense.

Re-examination of any work may be ordered by the Supervising Professional, and, if so ordered, the work must be uncovered by the Contractor. If the work is found to be in accordance with the contract documents, the City shall pay the cost of re-examination and replacement. If the work is not in accordance with the contract documents, the Contractor shall pay the cost.

Section 12 - Superintendence

The Contractor shall keep on the work site, during its progress, a competent superintendent and any necessary assistants, all satisfactory to the Supervising Professional. The superintendent will be responsible to perform all on-site project management for the Contractor. The superintendent shall be experienced in the work required for this Contract. The superintendent shall represent the Contractor and all direction given to the superintendent shall be binding as if given to the Contractor. Important directions shall immediately be confirmed in writing to the Contractor. Other directions will be confirmed on written request. The Contractor shall give efficient superintendence to the work, using its best skill and attention.

Section 13 - Changes in the Work

The City may make changes to the quantities of work within the general scope of the Contract at any time by a written order and without notice to the sureties. If the changes add to or deduct from the extent of the work, the Contract Sum shall be adjusted accordingly. All the changes shall be

executed under the conditions of the original Contract except that any claim for extension of time caused by the change shall be adjusted at the time of ordering the change.

In giving instructions, the Supervising Professional shall have authority to make minor changes in the work not involving extra cost and not inconsistent with the purposes of the work, but otherwise, except in an emergency endangering life or property, no extra work or change shall be made unless in pursuance of a written order by the Supervising Professional, and no claim for an addition to the Contract Sum shall be valid unless the additional work was ordered in writing.

The Contractor shall proceed with the work as changed and the value of the work shall be determined as provided in Claims for Extra Cost - Section 15.

Section 14 - Extension of Time

Extension of time stipulated in the Contract for completion of the work will be made if and as the Supervising Professional may deem proper under any of the following circumstances:

- (1) When work under an extra work order is added to the work under this Contract;
- (2) When the work is suspended as provided in Section 20;
- (3) When the work of the Contractor is delayed on account of conditions which could not have been foreseen, or which were beyond the control of the Contractor, and which were not the result of its fault or negligence;
- (4) Delays in the progress of the work caused by any act or neglect of the City or of its employees or by other Contractors employed by the City;
- (5) Delay due to an act of Government;
- (6) Delay by the Supervising Professional in the furnishing of plans and necessary information;
- (7) Other cause which in the opinion of the Supervising Professional entitles the Contractor to an extension of time.

The Contractor shall notify the Supervising Professional within 7 days of an occurrence or conditions which, in the Contractor's opinion, entitle it to an extension of time. The notice shall be in writing and submitted in ample time to permit full investigation and evaluation of the Contractor's claim. The Supervising Professional shall acknowledge receipt of the Contractor's notice within 7 days of its receipt. Failure to timely provide the written notice shall constitute a waiver by the Contractor of any claim.

In situations where an extension of time in contract completion is appropriate under this or any other section of the contract, the Contractor understands and agrees that the only available adjustment for events that cause any delays in contract completion shall be extension of the required time for contract completion and that there shall be no adjustments in the money due the Contractor on account of the delay.

Section 15 - Claims for Extra Cost

If the Contractor claims that any instructions by drawings or other media issued after the date of the Contract involved extra cost under this Contract, it shall give the Supervising Professional written notice within 7 days after the receipt of the instructions, and in any event before proceeding to execute the work, except in emergency endangering life or property. The procedure shall then be as provided for Changes in the Work-Section I3. No claim shall be valid unless so made.

If the Supervising Professional orders, in writing, the performance of any work not covered by the contract documents, and for which no item of work is provided in the Contract, and for which no unit price or lump sum basis can be agreed upon, then the extra work shall be done on a Cost-Plus-Percentage basis of payment as follows:

- (1) The Contractor shall be reimbursed for all reasonable costs incurred in doing the work, and shall receive an additional payment of 15% of all the reasonable costs to cover both its indirect overhead costs and profit;
- (2) The term "Cost" shall cover all payroll charges for employees and supervision required under the specific order, together with all worker's compensation, Social Security, pension and retirement allowances and social insurance, or other regular payroll charges on same; the cost of all material and supplies required of either temporary or permanent character; rental of all power-driven equipment at agreed upon rates, together with cost of fuel and supply charges for the equipment; and any costs incurred by the Contractor as a direct result of executing the order, if approved by the Supervising Professional;
- (3) If the extra is performed under subcontract, the subcontractor shall be allowed to compute its charges as described above. The Contractor shall be permitted to add an additional charge of 5% percent to that of the subcontractor for the Contractor's supervision and contractual responsibility;
- (4) The quantities and items of work done each day shall be submitted to the Supervising Professional in a satisfactory form on the succeeding day, and shall be approved by the Supervising Professional and the Contractor or adjusted at once;
- (5) Payments of all charges for work under this Section in any one month shall be made along with normal progress payments. Retainage shall be in accordance with Progress Payments-Section 16.

No additional compensation will be provided for additional equipment, materials, personnel, overtime or special charges required to perform the work within the time requirements of the Contract.

When extra work is required and no suitable price for machinery and equipment can be determined in accordance with this Section, the hourly rate paid shall be 1/40 of the basic weekly rate listed in the Rental Rate Blue Book published by Dataquest Incorporated and applicable to the time period the equipment was first used for the extra work. The hourly rate will be deemed to include all costs of operation such as bucket or blade, fuel, maintenance, "regional factors", insurance, taxes, and the like, but not the costs of the operator.

Notwithstanding the other terms of Sections 14 and 15, Contractor shall be entitled to an equitable extension of time and/or adjustment to the Contract Sum as a result of: (a) the discovery of a subsurface or otherwise concealed physical site condition that materially affects the work; (b) a change in applicable law that takes effect after the date of this Contract; (c) a delay by City or by the applicable utility in performing their obligations that is not caused by Contractor; (d) a force majeure event; or (e) hazardous substances that were not brought to or generated at the site by Contractor.

Section 16 - Progress Payments

The Contractor shall submit each month, or at longer intervals, if it so desires, an invoice covering work performed for which it believes payment, under the Contract terms, is due. The submission shall be to the City's Finance Department - Accounting Division. The Supervising Professional will, within 10 days following submission of the invoice, prepare a certificate for payment for the work in an amount to be determined by the Supervising Professional as fairly representing the acceptable work performed during the period covered by the Contractor's invoice. To insure the proper performance of this Contract, the City will retain a percentage of the estimate in accordance with Act 524, Public Acts of 1980. The City will then, following the receipt of the Supervising Professional's Certificate, make payment to the Contractor as soon as feasible, which is anticipated will be within 15 days.

An allowance may be made in progress payments if substantial quantities of permanent material have been delivered to the site but not incorporated in the completed work if the Contractor, in the opinion of the Supervising Professional, is diligently pursuing the work under this Contract. Such materials shall be properly stored and adequately protected. Allowance in the estimate shall be at the invoice price value of the items. Notwithstanding any payment of any allowance, all risk of loss due to vandalism or any damages to the stored materials remains with the Contractor.

In the case of Contracts which include only the Furnishing and Delivering of Equipment, the payments shall be; 60% of the Contract Sum upon the delivery of all equipment to be furnished, or in the case of delivery of a usable portion of the equipment in advance of the total equipment delivery, 60% of the estimated value of the portion of the equipment may be paid upon its delivery in advance of the time of the remainder of the equipment to be furnished; 30% of the Contract Sum upon completion of erection of all equipment furnished, but not later than 60 days after the date of delivery of all of the equipment to be furnished; and payment of the final 10% on final completion of erection, testing and acceptance of all the equipment to be furnished; but not later than 180 days after the date of delivery of all of the equipment to be furnished, unless testing has been completed and shows the equipment to be unacceptable.

Notwithstanding anything to the contrary in this Contract, the City will make progress payments to the Contractor as the work progresses following invoice by the Contractor and approval by the Supervising Professional as to the work achieved. The Contractor will not submit its invoices more frequently than twice per month during periods of high project activity, and not more frequently than once per month all other times. Unless the City and the Contractor agree upon a schedule of values for the progress of the work, the Contractor may submit its invoices for costs that it incurs in the proper performance of the work on a time spent and materials used basis, at the Contractor's standard rates from time to time. Contractor may include in its invoice the amount of any downpayment that the Contractor paid for equipment, supplies, or materials that the Contractor ordered for the work but which have not yet been delivered to the site if the Contractor includes a copy of the supplier's invoice for such equipment, supplies, and materials and proof of

payment of the downpayment by the Contractor. Once the delivery of such equipment, supplies, or materials is made to the project site or other location approved by the City, the Contractor may include in its invoice for payment the remaining balance of the original invoice amount that is due such supplier. No retainage shall apply to amounts paid to the Contractor pursuant to this paragraph. Upon final acceptance of the work, the Contractor shall submit to the City an invoice for an amount equal to the balance of the Contract Sum not previously invoiced in accordance with this Contract, including any remaining retainage.

The Supervising Professional and Contractor agree to adhere to a Schedule of Values to define payment milestones. A respective Schedule of Values will be applied to each individual site included in Attachment A. The Schedule of Values and corresponding milestone and payment percentages can be found in Attachment J.

With each invoice for periodic payment, the Contractor shall enclose a Contractor's Declaration - Section 43, and an updated project schedule per Order of Completion - Section 2.

Section 17 - Deductions for Uncorrected Work

If the Supervising Professional decides it is inexpedient to correct work that has been damaged or that was not done in accordance with the Contract, an equitable deduction from the Contract price shall be made.

Section 18 - Correction of Work Before Final Payment

The Contractor shall promptly remove from the premises all materials condemned by the Supervising Professional as failing to meet Contract requirements, whether incorporated in the work or not, and the Contractor shall promptly replace and re-execute the work in accordance with the Contract and without expense to the City and shall bear the expense of making good all work of other contractors destroyed or damaged by the removal or replacement.

If the Contractor does not remove the condemned work and materials within 10 days after written notice, the City may remove them and, if the removed material has value, may store the material at the expense of the Contractor. If the Contractor does not pay the expense of the removal within 10 days thereafter, the City may, upon 10 days written notice, sell the removed materials at auction or private sale and shall pay to the Contractor the net proceeds, after deducting all costs and expenses that should have been borne by the Contractor. If the removed material has no value, the Contractor must pay the City the expenses for disposal within 10 days of invoice for the disposal costs.

The inspection or lack of inspection of any material or work pertaining to this Contract shall not relieve the Contractor of its obligation to fulfill this Contract and defective work shall be made good. Unsuitable materials may be rejected by the Supervising Professional notwithstanding that the work and materials have been previously overlooked by the Supervising Professional and accepted or estimated for payment or paid for. If the work or any part shall be found defective at any time before the final acceptance of the whole work, the Contractor shall forthwith make good the defect in a manner satisfactory to the Supervising Professional. The judgment and the decision of the Supervising Professional as to whether the materials supplied and the work done under this Contract comply with the requirements of the Contract shall be conclusive and final.

Section 19 - Acceptance and Final Payment

Upon receipt of written notice that the work is ready for final inspection and acceptance, the Supervising Professional will promptly make the inspection. When the Supervising Professional finds the work acceptable under the Contract and the Contract fully performed, the Supervising Professional will promptly sign and issue a final certificate stating that the work required by this Contract has been completed and is accepted by the City under the terms and conditions of the Contract. The entire balance found to be due the Contractor, including the retained percentage, shall be paid to the Contractor by the City within 30 days after the date of the final certificate.

Before issuance of final certificates, the Contractor shall file with the City:

- (1) The consent of the surety to payment of the final estimate;
- (2) The Contractor's Affidavit in the form required by Section 44.

In case the Affidavit or consent is not furnished, the City may retain out of any amount due the Contractor, sums sufficient to cover all lienable claims.

The making and acceptance of the final payment shall constitute a waiver of all claims by the City except those arising from:

- (1) unsettled liens;
- (2) faulty work appearing within 12 months after final payment;
- (3) hidden defects in meeting the requirements of the plans and specifications;
- (4) manufacturer's guarantees.

It shall also constitute a waiver of all claims by the Contractor, except those previously made and still unsettled.

Section 20 - Suspension of Work

The City may at any time suspend the work, or any part by giving 5 days notice to the Contractor in writing. The work shall be resumed by the Contractor within 10 days after the date fixed in the written notice from the City to the Contractor to do so. The City shall reimburse the Contractor for expense incurred by the Contractor in connection with the work under this Contract as a result of the suspension.

If the work, or any part, shall be stopped by the notice in writing, and if the City does not give notice in writing to the Contractor to resume work at a date within 90 days of the date fixed in the written notice to suspend, then the Contractor may abandon that portion of the work suspended and will be entitled to the estimates and payments for all work done on the portions abandoned, if any, plus 10% of the value of the work abandoned, to compensate for loss of overhead, plant expense, and anticipated profit.

Section 21 - Delays and the City's Right to Terminate Contract

If the Contractor refuses or fails to prosecute the work, or any separate part of it, with the diligence required to insure completion, ready for operation, within the allowable number of consecutive calendar days specified plus extensions, or fails to complete the work within the required time, the City may, by written notice to the Contractor, terminate its right to proceed with the work or any part of the work as to which there has been delay. After providing the notice the City may take over the work and prosecute it to completion, by contract or otherwise, and the Contractor and its sureties shall be liable to the City for any excess cost to the City. If the Contractor's right to proceed is terminated, the City may take possession of and utilize in completing the work, any materials, appliances and plant as may be on the site of the work and useful for completing the work. The right of the Contractor to proceed shall not be terminated or the Contractor charged with liquidated damages where an extension of time is granted under Extension of Time - Section 14.

If the Contractor is adjudged a bankrupt, or if it makes a general assignment for the benefit of creditors, or if a receiver is appointed on account of its insolvency, or if it persistently or repeatedly refuses or fails except in cases for which extension of time is provided, to supply enough properly skilled workers or proper materials, or if it fails to make prompt payments to subcontractors or for material or labor, or persistently disregards laws, ordinances or the instructions of the Supervising Professional, or otherwise is guilty of a substantial violation of any provision of the Contract, then the City, upon the certificate of the Supervising Professional that sufficient cause exists to justify such action, may, without prejudice to any other right or remedy and after giving the Contractor 3 days written notice, terminate this Contract. The City may then take possession of the premises and of all materials, tools and appliances thereon and without prejudice to any other remedy it may have, make good the deficiencies or finish the work by whatever method it may deem expedient, and deduct the cost from the payment due the Contractor. The Contractor shall not be entitled to receive any further payment until the work is finished. If the expense of finishing the work, including compensation for additional managerial and administrative services exceeds the unpaid balance of the Contract Sum, the Contractor and its surety are liable to the City for any excess cost incurred. The expense incurred by the City, and the damage incurred through the Contractor's default, shall be certified by the Supervising Professional.

Section 22 - Contractor's Right to Terminate Contract

If the work should be stopped under an order of any court, or other public authority, for a period of 3 months, through no act or fault of the Contractor or of anyone employed by it, then the Contractor may, upon 7 days written notice to the City, terminate this Contract and recover from the City payment for all acceptable work executed plus reasonable profit.

Section 23 - City's Right To Do Work

If the Contractor should neglect to prosecute the work properly or fail to perform any provision of this Contract, the City, 3 days after giving written notice to the Contractor and its surety may, without prejudice to any other remedy the City may have, make good the deficiencies and may deduct the cost from the payment due to the Contractor.

Section 24 - Removal of Equipment and Supplies

In case of termination of this Contract before completion, from any or no cause, the Contractor, if notified to do so by the City, shall promptly remove any part or all of its equipment and supplies from the property of the City, failing which the City shall have the right to remove the equipment and supplies at the expense of the Contractor.

The removed equipment and supplies may be stored by the City and, if all costs of removal and storage are not paid by the Contractor within 10 days of invoicing, the City upon 10 days written notice may sell the equipment and supplies at auction or private sale, and shall pay the Contractor the net proceeds after deducting all costs and expenses that should have been borne by the Contractor and after deducting all amounts claimed due by any lien holder of the equipment or supplies.

Section 25 - Responsibility for Work and Warranties

The Contractor assumes full responsibility for any and all materials and equipment used in the construction of the work and may not make claims against the City for damages to materials and equipment from any cause except negligence or willful act of the City. Until its final acceptance, the Contractor shall be responsible for damage to or destruction of the project (except for any part covered by Partial Completion and Acceptance - Section 26). The Contractor shall make good all work damaged or destroyed before acceptance. All risk of loss remains with the Contractor until final acceptance of the work (Section 19) or partial acceptance (Section 26). The Contractor is advised to investigate obtaining its own builders risk insurance.

The Contractor shall guarantee the quality of the work for a period of one year. The Contractor shall also unconditionally guarantee the quality of all equipment and materials that are furnished and installed under the contract for a period of one year. At the end of one year after the Contractor's receipt of final payment, the complete work, including equipment and materials furnished and installed under the contract, shall be inspected by the Contractor and the Supervising Professional. Any defects shall be corrected by the Contractor at its expense as soon as practicable but in all cases within 60 days. Any defects that are identified prior to the end of one year shall also be inspected by the Contractor and the Supervising Professional and shall be corrected by the Contractor at its expense as soon as practicable but in all cases within 60 days. The Contractor shall assign all manufacturer or material supplier warranties to the City prior to final payment. The assignment shall not relieve the Contractor of its obligations under this paragraph to correct defects.

Section 26 - Partial Completion and Acceptance

If at any time prior to the issuance of the final certificate referred to in Acceptance and Final Payment - Section 19, any portion of the permanent construction has been satisfactorily completed, and if the Supervising Professional determines that portion of the permanent construction is not required for the operations of the Contractor but is needed by the City, the Supervising Professional shall issue to the Contractor a certificate of partial completion, and immediately the City may take over and use the portion of the permanent construction described in the certificate, and exclude the Contractor from that portion.

The issuance of a certificate of partial completion shall not constitute an extension of the Contractor's time to complete the portion of the permanent construction to which it relates if the

Contractor has failed to complete it in accordance with the terms of this Contract. The issuance of the certificate shall not release the Contractor or its sureties from any obligations under this Contract including bonds.

If prior use increases the cost of, or delays the work, the Contractor shall be entitled to extra compensation, or extension of time, or both, as the Supervising Professional may determine.

Section 27 - Payments Withheld Prior to Final Acceptance of Work

The City may withhold or, on account of subsequently discovered evidence, nullify the whole or part of any certificate to the extent reasonably appropriate to protect the City from loss on account of:

- (1) Defective work not remedied;
- (2) Claims filed or reasonable evidence indicating probable filing of claims by other parties against the Contractor;
- (3) Failure of the Contractor to make payments properly to subcontractors or for material or labor;
- (4) Damage to another Contractor.

When the above grounds are removed or the Contractor provides a Surety Bond satisfactory to the City which will protect the City in the amount withheld, payment shall be made for amounts withheld under this section.

Section 28 - Contractor's Insurance

- (1) The Contractor shall procure and maintain during the life of this Contract, including the guarantee period and during any warranty work, such insurance policies, including those set forth below, as will protect itself and the City from all claims for bodily injuries, death or property damage that may arise under this Contract; whether the act(s) or omission(s) giving rise to the claim were made by the Contractor, any subcontractor, or anyone employed by them directly or indirectly. Prior to commencement of any work under this contract, Contractor shall provide to the City documentation satisfactory to the City, through City-approved means (currently myCOI), demonstrating it has obtained the required policies and endorsements. The certificates of insurance endorsements and/or copies of policy language shall document that the Contractor satisfies the following minimum requirements. Contractor shall add registration@mycoitracking.com to its safe sender's list so that it will receive necessary communication from myCOI. When requested, Contractor shall provide the same documentation for its subcontractor(s) (if any).

Required insurance policies include:

- (a) Worker's Compensation Insurance in accordance with all applicable state and federal statutes. Further, Employers Liability Coverage shall be obtained in the following minimum amounts:

Bodily Injury by Accident - \$500,000 each accident

Bodily Injury by Disease - \$500,000 each employee
Bodily Injury by Disease - \$500,000 each policy limit

- (b) Commercial General Liability Insurance equivalent to, as a minimum, Insurance Services Office form CG 00 01 04 13 or current equivalent. The City of Ann Arbor shall be named as an additional insured. There shall be no added exclusions or limiting endorsements specifically for the following coverages: Products and Completed Operations, Explosion, Collapse and Underground coverage or Pollution. Further there shall be no added exclusions or limiting endorsements that diminish the City's protections as an additional insured under the policy. The following minimum limits of liability are required:

\$1,000,000	Each occurrence as respect Bodily Injury Liability or Property Damage Liability, or both combined.
\$4,000,000	Per Project General Aggregate
\$1,000,000	Personal and Advertising Injury
\$2,000,000	Products and Completed Operations Aggregate, which, notwithstanding anything to the contrary herein, shall be maintained for three years from the date the Project is completed.

- (c) Motor Vehicle Liability Insurance, including Michigan No-Fault Coverages, equivalent to, as a minimum, Insurance Services Office form CA 00 01 10 13 or current equivalent. Coverage shall include all owned vehicles, all non-owned vehicles and all hired vehicles. The City of Ann Arbor shall be named as an additional insured. There shall be no added exclusions or limiting endorsements that diminish the City's protections as an additional insured under the policy. Further, the limits of liability shall be \$1,000,000 for each occurrence as respects Bodily Injury Liability or Property Damage Liability, or both combined.

- (d) Umbrella/Excess Liability Insurance shall be provided to apply excess of the Commercial General Liability, Employers Liability and the Motor Vehicle coverage enumerated above, for each occurrence and for aggregate in the amount of \$2,000,000.

- (2) Insurance required under subsection (1)(b) and (1)(c) above shall be considered primary as respects any other valid or collectible insurance that the City may possess, including any self-insured retentions the City may have; and any other insurance the City does possess shall be considered excess insurance only and shall not be required to contribute with this insurance. Further, the Contractor agrees to waive any right of recovery by its insurer against the City for any insurance listed herein.
- (3) Insurance companies and policy forms are subject to approval of the City Attorney, which approval shall not be unreasonably withheld. Documentation must provide and demonstrate an unconditional and unqualified 30-day written notice of cancellation in favor of the City of Ann Arbor. Further, the documentation must explicitly state the following: (a) the policy number(s); name of insurance company(s); name and address of the agent(s) or authorized representative(s); name(s), email address(es), and address of insured; project name; policy expiration date; and specific coverage amounts; (b) any deductibles or self-insured retentions which may be approved by the City, in its sole discretion; (c) that the policy conforms to the requirements specified Contractor shall furnish the City with satisfactory certificates of insurance and endorsements prior to commencement of any

work. Upon request, the Contractor shall provide within 30 days a copy of the policy(ies) and all required endorsements to the City. If any of the above coverages expire by their terms during the term of this Contract, the Contractor shall deliver proof of renewal and/or new policies and endorsements to the Administering Service Area/Unit at least ten days prior to the expiration date.

- (4) Any Insurance provider of Contractor shall be authorized to do business in the State of Michigan and shall carry and maintain a minimum rating assigned by A.M. Best & Company's Key Rating Guide of "A-" Overall and a minimum Financial Size Category of "V". Insurance policies and certificates issued by non-authorized insurance companies are not acceptable unless approved in writing by the City.
- (5) City reserves the right to require additional coverage and/or coverage amounts as may be included from time to time in the Detailed Specifications for the Project.
- (6) The provisions of General Condition 28 shall survive the expiration or earlier termination of this contract for any reason.

Section 29 - Surety Bonds

Bonds will be required from the successful bidder as follows:

- (1) A Performance Bond to the City of Ann Arbor for the amount of the bid(s) accepted;
- (2) A Labor and Material Bond to the City of Ann Arbor for the amount of the bid(s) accepted.

Bonds shall be executed on forms supplied by the City in a manner and by a Surety Company authorized to transact business in Michigan and satisfactory to the City Attorney.

Section 30 - Damage Claims

The Contractor shall be held responsible for all damages to property of the City or others, caused by or resulting from the negligence of the Contractor, its employees, or agents during the progress of or connected with the prosecution of the work, whether within the limits of the work or elsewhere. The Contractor must restore all property injured including sidewalks, curbing, sodding, pipes, conduit, sewers or other public or private property to not less than its original condition with new work.

Section 31 - Refusal to Obey Instructions

If the Contractor refuses to obey the instructions of the Supervising Professional, the Supervising Professional shall withdraw inspection from the work, and no payments will be made for work performed thereafter nor may work be performed thereafter until the Supervising Professional shall have again authorized the work to proceed.

Section 32 - Assignment

Neither party to the Contract shall assign the Contract without the written consent of the other. The Contractor may assign any monies due to it to a third party acceptable to the City.

Section 33 - Rights of Various Interests

Whenever work being done by the City's forces or by other contractors is contiguous to work covered by this Contract, the respective rights of the various interests involved shall be established by the Supervising Professional, to secure the completion of the various portions of the work in general harmony.

The Contractor is responsible to coordinate all aspects of the work, including coordination of, and with, utility companies and other contractors whose work impacts this project.

Section 34 - Subcontracts

The Contractor shall not award any work to any subcontractor without prior written approval of the City. The approval will not be given until the Contractor submits to the City a written statement concerning the proposed award to the subcontractor. The statement shall contain all information the City may require.

The Contractor shall be as fully responsible to the City for the acts and omissions of its subcontractors, and of persons either directly or indirectly employed by them, as it is for the acts and omissions of persons directly employed by it.

The Contractor shall cause appropriate provisions to be inserted in all subcontracts relative to the work to bind subcontractors to the Contractor by the terms of the General Conditions and all other contract documents applicable to the work of the subcontractors and to give the Contractor the same power to terminate any subcontract that the City may exercise over the Contractor under any provision of the contract documents.

Nothing contained in the contract documents shall create any contractual relation between any subcontractor and the City.

Section 35 - Supervising Professional's Status

The Supervising Professional has the right to inspect any or all work. The Supervising Professional has authority to stop the work whenever stoppage may be appropriate to insure the proper execution of the Contract. The Supervising Professional has the authority to reject all work and materials which do not conform to the Contract and to decide questions which arise in the execution of the work.

The Supervising Professional shall make all measurements and determinations of quantities. Those measurements and determinations are final and conclusive between the parties.

Section 36 - Supervising Professional's Decisions

The Supervising Professional shall, within a reasonable time after their presentation to the Supervising Professional, make decisions in writing on all claims of the City or the Contractor and on all other matters relating to the execution and progress of the work or the interpretation of the contract documents.

Section 37 - Storing Materials and Supplies

Materials and supplies may be stored at the site of the work at locations agreeable to the City unless specific exception is listed elsewhere in these documents. Ample way for foot traffic and drainage must be provided, and gutters must, at all times, be kept free from obstruction. Traffic on streets shall be interfered with as little as possible. The Contractor may not enter or occupy with agents, employees, tools, or material any private property without first obtaining written permission from its owner. A copy of the permission shall be furnished to the Supervising Professional.

Section 38 - Lands for Work

The Contractor shall provide, at its own expense and without liability to the City, any additional land and access that may be required for temporary construction facilities or for storage of materials.

Section 39 - Cleaning Up

The Contractor shall, as directed by the Supervising Professional, remove at its own expense from the City's property and from all public and private property all temporary structures, rubbish and waste materials resulting from its operations unless otherwise specifically approved, in writing, by the Supervising Professional.

Section 40 - Salvage

The Supervising Professional may designate for salvage any materials from existing structures or underground services. Materials so designated remain City property and shall be transported or stored at a location as the Supervising Professional may direct.

Section 41 - Night, Saturday or Sunday Work

No night or Sunday work (without prior written City approval) will be permitted except in the case of an emergency and then only to the extent absolutely necessary. The City may allow night work which, in the opinion of the Supervising Professional, can be satisfactorily performed at night. Night work is any work between 8:00 p.m. and 7:00 a.m. No Saturday work will be permitted unless the Contractor gives the Supervising Professional at least 48 hours but not more than 5 days notice of the Contractor's intention to work the upcoming Saturday.

Section 42 - Sales Taxes

Under State law the City is exempt from the assessment of State Sales Tax on its direct purchases. Contractors who acquire materials, equipment, supplies, etc. for incorporation in City projects are not likewise exempt. State Law shall prevail. The Bidder shall familiarize itself with the State Law and prepare its Bid accordingly. No extra payment will be allowed under this Contract for failure of the Contractor to make proper allowance in this bid for taxes it must pay.

Section 43

CONTRACTOR'S DECLARATION

I hereby declare that I have not, during the period _____, 20___, to _____, 20___, performed any work, furnished any materials, sustained any loss, damage or delay, or otherwise done anything in addition to the regular items (or executed change orders) set forth in the Contract titled _____, for which I shall ask, demand, sue for, or claim compensation or extension of time from the City, except as I hereby make claim for additional compensation or extension of time as set forth on the attached itemized statement. I further declare that I have paid all payroll obligations related to this Contract that have become due during the above period and that all invoices related to this Contract received more than 30 days prior to this declaration have been paid in full except as listed below.

There is/is not (Contractor please circle one and strike one as appropriate) an itemized statement attached regarding a request for additional compensation or extension of time.

Contractor

Date

By _____
(Signature)

Its _____
(Title of Office)

Past due invoices, if any, are listed below.

STANDARD SPECIFICATIONS

All work under this contract shall be performed in accordance with the Public Services Department Standard Specifications in effect at the date of availability of the contract documents stipulated in the Bid. All work under this Contract which is not included in these Standard Specifications, or which is performed using modifications to these Standard Specifications, shall be performed in accordance with the Detailed Specifications included in these contract documents.

Standard Specifications are available online:

[HTTP://WWW.A2GOV.ORG/DEPARTMENTS/ENGINEERING/PAGES/ENGINEERING-AND-CONTRACTOR-RESOURCES.ASPX](http://www.a2gov.org/departments/engineering/pages/engineering-and-contractor-resources.aspx)

DETAILED SPECIFICATIONS

MINIMUM TECHNICAL SPECIFICATIONS

General

- All power generation and transmission equipment must be UL listed and installed for its designed use.
- Construction must comply with most recent currently adopted State Building Code, which encompasses:
 - International Building Code
 - National Electric Code (NEC)
 - All other relevant state and national codes
- Contractor must transfer all manufacturer warranties for key equipment.
- System Contractor is responsible for conducting all required building, utility, and rebate inspections, and must complete all construction and documentation in a manner necessary to pass such inspections, and in accordance with industry standard best practices.
- System Contractor must possess current state electric and contractor's license from State's Contractors Licensing Board to perform work being proposed.

Solar PV Modules

- System modules shall be UL1703 listed, and CEC-listed.
- Module manufacturer must provide a 10-year warranty on minimum of 90% nameplate energy production and 25-year warranty on minimum of 80% nameplate energy production.
- All warranties must be documented in advance and be fully transferable to City.
- Solar module providers must have a strong track record of performance with a long-term ability to provide service and warranties.

Rooftop Mounted Systems

- All roofing penetrations must be performed in such a way (including sealing) to prevent leakage and maintain the existing rooftop warranty.
- All solar panels must be at least 6 inches above the roofing materials.
- Any newly exposed steel must be protected with marine-grade sealants for corrosion resistance.
- Roof-mounted array layouts shall be designed to provide minimum of 3 feet of walking access around the perimeter of the roof and convenient access to existing roof-mounted HVAC equipment, where applicable.
- All components must be secured to reduce the potential for damage, vandalism, or theft.
- All City policies regarding installation of solar must be followed.

Carport Structures

- All carport structures shall be designed to have a minimum clearance height of ten (10) feet (although this may need to be higher depending on if the proposed locations need to accommodate buses).
- Structures located in parking lots shall be designed to minimize loss or encumbrance of parking spaces and ADA paths of travel.
- If necessary, painted concrete bollards shall be installed on support posts. The bollards shall extend up to a minimum elevation of 36" above finished grade.

- All structures shall be installed with a fascia surrounding the exposed edge of the structure's purlins with columns, beams, and fascia painted to a color of the Client's approval.
- All carport structures shall include the installation of high efficiency LED lighting with motion sensors and must conform to applicable local and state requirements.
- Carports should be wired with at least one power outlet per array.

Ground Mount Systems

- All ground mounted structures shall be designed to have a minimum clear height of three (3) feet with the exception of the Water Treatment Plant low profile ground mount system over the underground water reservoir.
- Ground-penetrating array layouts shall adhere to all soil and geographical requirements and concerns in terms of ground penetration and trenching. Civil and structural PE designs are required.
- At City request, security cameras shall also be installed with remote monitoring capabilities.
- Acceptable surface cover material and landscaping shall be installed by contractor under and around the modules and throughout the site that provides appropriate weed control, erosion and dust management, while respecting and integrating local ecological conditions and existing landscaping plans. This should include low-impact local plants that also provide habitats for local pollinators.

Inverters

- Inverters must be located on a concrete pad with proper enclosures to prevent damage or theft.
- Inverters shall be UL1741 listed and IEEE 1547 compliant and must be CEC-listed with an CEC efficiency of 96% or higher
- The inverter shall be capable of continuous operation with voltage variation of +/- 10% of nominal AC voltage. The inverter shall operate in an ambient temperature range of - 20°C to +50°C.
- PV array design shall maintain DC input voltage within the inverter's specified MPPT window for all expected operating temperatures.
- Inverters shall include all necessary self-protective features and self-diagnostic features to protect the inverter from damage (in the event of component failure or from parameters beyond normal operating range due to internal or external causes).
- Inverters must carry minimum 10-year manufacturer warranty.
- All manufacturer warranties must be documented, in advance, and be fully transferable to City.

Balance of System Equipment

- Each proposed PV system shall include, at a minimum, one fused DC disconnect, and one fused AC disconnect for safety and maintenance concerns.
- String combiner boxes must include properly-sized fusing, and all metal equipment and components must be bonded and grounded as required by NEC.
- All system wiring and conduit must comply with NEC stipulations, and all indoor and outdoor wiring, outdoor-rated or otherwise, must be enclosed in EMT or RIGID conduit or covered raceway, except adjacent panel connections and under-array home run wiring.
- Wall penetrations must be sealed in compliance with NEC and NFPA regulations.

- All wiring materials and methods must adhere to industry-standard best practices, and all inter-module connections must require the use of a specialized tool for disconnecting.
- Lightning arrestors must be used to protect appropriate equipment from lightning strikes.
- Material requirements:
 - Fasteners and hardware throughout system shall be stainless steel or material of equivalent corrosion resistance
 - Racking components shall be anodized aluminum, hot-dipped galvanized steel, or material of equivalent corrosion resistance
 - Unprotected steel is not to be used in any components

Interconnection

- The system must comply with all applicable utility interconnection requirements.
- System interconnection must comply with NEC and Utility regulations and must be approved by the applicable utility and the Ann Arbor Building Inspector before any PV system construction begins.
- Emergency back-up generation may exist on-site and must be factored into proposed PV system electrical plans according to building and electrical codes.
- All placards required by Client, the Building Inspector, the Utility, and/or State programs must be provided and installed according to Client and NEC guidelines.

Monitoring and Reporting Systems

- System monitoring and reporting must comply with State solar program requirements and must be provided at no additional cost for a minimum of five years.
- Monitoring shall include revenue-grade metering of PV system production and building consumption; pyranometer; and ambient air temperature sensor.
- Proposals must include Internet hosting of monitoring with on-line access for Client personnel and public display of data.
- Offeror must work with the City to determine best location and technique for monitoring communications interconnection.
- Offeror will be responsible for providing all required monitoring communications and power wiring and conduit, with City guidance on approved locations.

Battery Readiness

- Contractor may include an integrated Battery Storage System (BSS) into the proposed Solar PV system that provides, at a minimum, resiliency during grid outages, and potentially other valuable services including load management and grid services. If included, all pertinent details must be provided for the design, construction and interconnection of the BSS that are fully integrated into the Solar PV system and site electrical systems. The City may provide further guidance on BSS requirements beyond what is included in this document, if Contractor includes a BSS in their proposal.

Balance of System Equipment - Battery

Energy Storage Systems must meet the following requirements:

- The maximum sound level generated from the battery system and any associated equipment under any output level shall be limited to 65 dBA at 50 feet in any direction.
- Minimum 80% AC round trip efficiency.
- Chemistry must be lithium-ion; alternative proposals using batteries with lead-acid chemistry will be considered. No other types of energy storage will be considered.
- All components must operate at safe rated sustainable operating temperatures over the required ambient temperature range.

- Monitoring requirements must include: voltage, current, power, system performance alerts, remote and on-site access to data.
- Operation and Maintenance Manual, including recommended corrective action and maintenance procedures for each alert or observed condition.
- The BSS control system shall be designed to provide for automatic, unattended operation and for local manual operation or remote operation.
- Any existing emergency back-up generation connected to the site's electrical systems must be factored into proposed solar PV and BSS electrical plans.
- Interconnection designs and applications must fully document and comply with all utility and local requirements for operation during a grid outage and the safe process for power restoration from the grid.

System Design and Permitting

- For each site, within 90 days of contract being signed, successful offeror shall create a construction plan set which includes at a minimum:
 - Site overview
 - Detailed array layout with stringing configuration
 - Geotechnical site preparation plans and footing details, as needed
 - Mounting and racking details
 - Details of electrical transmission showing conduit routing and location of electrical enclosures, conduit support details, and enclosure mounting details
 - Electrical single-line diagram
 - Monitoring system and recommended monitoring plan
 - Documentation regarding how the system design enables efficient repair and maintenance of the arrays
 - Construction project plan with timeline
- All proposed system designs and construction techniques must be approved by the City and utility.
- Offeror shall obtain structural PE stamp verifying the integrity of the existing facility to handle the additional weight load of the proposed PV system, if applicable.
- Offeror shall obtain electrical PE stamp verifying the integrity and code compliance of proposed PV system and interconnection with facility.
- Final array layouts shall be designed to minimize or avoid shading. If shading will occur, offeror shall specify the predicted solar access and performance losses.
- Wire loss in DC circuits to be < 1.5% based on STC values.
- Wire loss in AC circuits to be < 1.5% based on nominal voltages.

Construction

- Contractor shall prepare, maintain, and abide by a Site Safety Plan that will include, at a minimum, all applicable OSHA and MIOSHA workplace safety and Personal Protective Equipment (PPE) requirements
- Construction work shall be designed to minimize impact to facility operations. Contractor shall develop a construction plan for site access, staging, and equipment storage and obtain approval from the City prior to beginning construction.
- All asphalt, concrete, landscaping, and other areas that are disturbed during construction shall be remediated and returned to their original condition, or an equivalent condition approved by the City
- After completion of the work, the site shall be left clean and free of any dirt or debris that may have accumulated during construction. All construction equipment, spoils, and other construction byproducts shall be removed from the site.

- All electrical enclosures and equipment shall be installed to be readily accessible to qualified personnel only. Fences or other protection may be required per City specifications both during installation and as part of final design.
- All visible conduits and electrical equipment shall be painted or aesthetically dressed per City specifications.
- Location of existing underground utilities must be marked by MISSDIG and equivalent private service prior to any underground work.
- A goal for construction is zero waste and all recyclable materials must be sorted for proper handling.

Documentation and Process Control

In addition to construction requirements listed above, Contractor is required to:

- Coordinate with and receive appropriate approval from the local DTE Electric for proposed PV systems.
- Obtain Solar rebates and/or Renewable Energy Credits.
- Prepare press releases and a ribbon-cutting ceremony at City request.
- Provide As-Built drawings of PV system, which must include finalized module layout, single line diagram, and stringing chart, ideally in GIS.

Acceptance Testing

Contractor shall perform a complete acceptance test at the system and component level for safety, quality and performance. All testing and commissioning shall be conducted in accordance with the manufacturer's specifications. These tests shall include (but not be limited to) the following:

- Inverter testing for all inverters. The inverters shall be commissioned on-site by a qualified technician and shall confirm that the inverter can be operated locally per specification and that automatic operations occur as specified.
- Full system performance tests.
- Testing of all sensors of the monitoring system and the on-line presentation of performance.

The City (or City's representative) shall be informed, in advance, of testing times and have the opportunity to join in testing procedures. A report of all tests shall document the results of the testing activities and be presented to the City. The report shall include the date and time each test was performed and descriptions of all problems and deficiencies found during testing. Contractor shall be responsible for providing the labor and equipment necessary to conduct these tests and any required troubleshooting.

Owner Training

The Contractor must provide on-site training with accompanying training materials for City personnel in all aspects of operation, routine maintenance, and safety of the energy storage systems, and monitoring including:

- PV system safety, including shut-down procedures.
- PV module maintenance and troubleshooting.
- Structural elements maintenance and repair guidelines.
- Inverter overview and maintenance procedures.
- Calibration and adjustment procedures for the inverters and tracking systems (if any).
- Solar panel replacement.
- Monitoring system troubleshooting and reporting.

Specific Sites and Installation Details

Site	Type	Size (design kwDC)	Cost
Steere Farm (WTP Pumps)	Ground Mount	605	\$ 1,427,446.00
TOTAL		605	\$ 1,427,446.00

Designs for the solar systems follow in **Attachment A**.

ATTACHMENT A
SOLAR SITE DESIGNS

MUNICIPAL AIRPORT STEERE FARM PUMPS CITY OF ANN ARBOR, MI

605.2 kWDC, 480.0 kWAC SOLAR ARRAY

5130 RIVER VALLEY ROAD
MILFORD, OH 45150
PHONE: (513) 965-7300
FAX: (513) 965-7353
www.melinkcorp.com
solarteam@melinkcorp.com



PROJECT:
CITY OF ANN ARBOR
MUNICIPAL AIRPORT
STEERE FARM PUMPS
51430 S. STATE ST.
ANN ARBOR, MI 48108

REVISIONS:

DATE	ISSUANCE
03/15/2021	SITE LAYOUT
06/09/2022	SINGLE LINE
10/06/2022	IA SET
05/09/2023	IA SET rev2



SEALED ON 09/29/23
M. L. LUE 620162445
H2DC PLLC MKE@H2DC.COM
ELECTRICAL ONLY

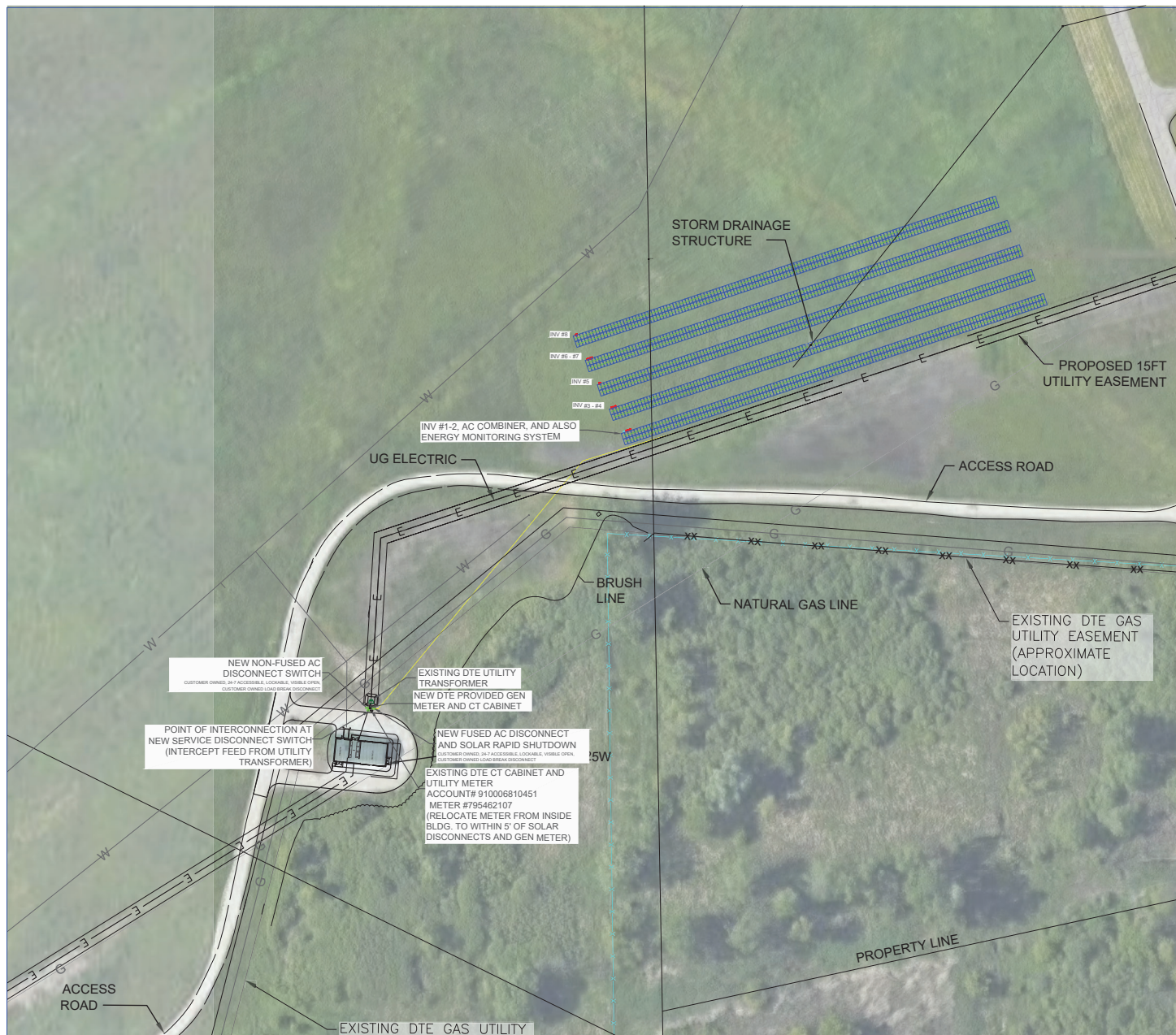
DRAWN BY: JE
CHECKED BY: NY

DWG TITLE:
Site Plan

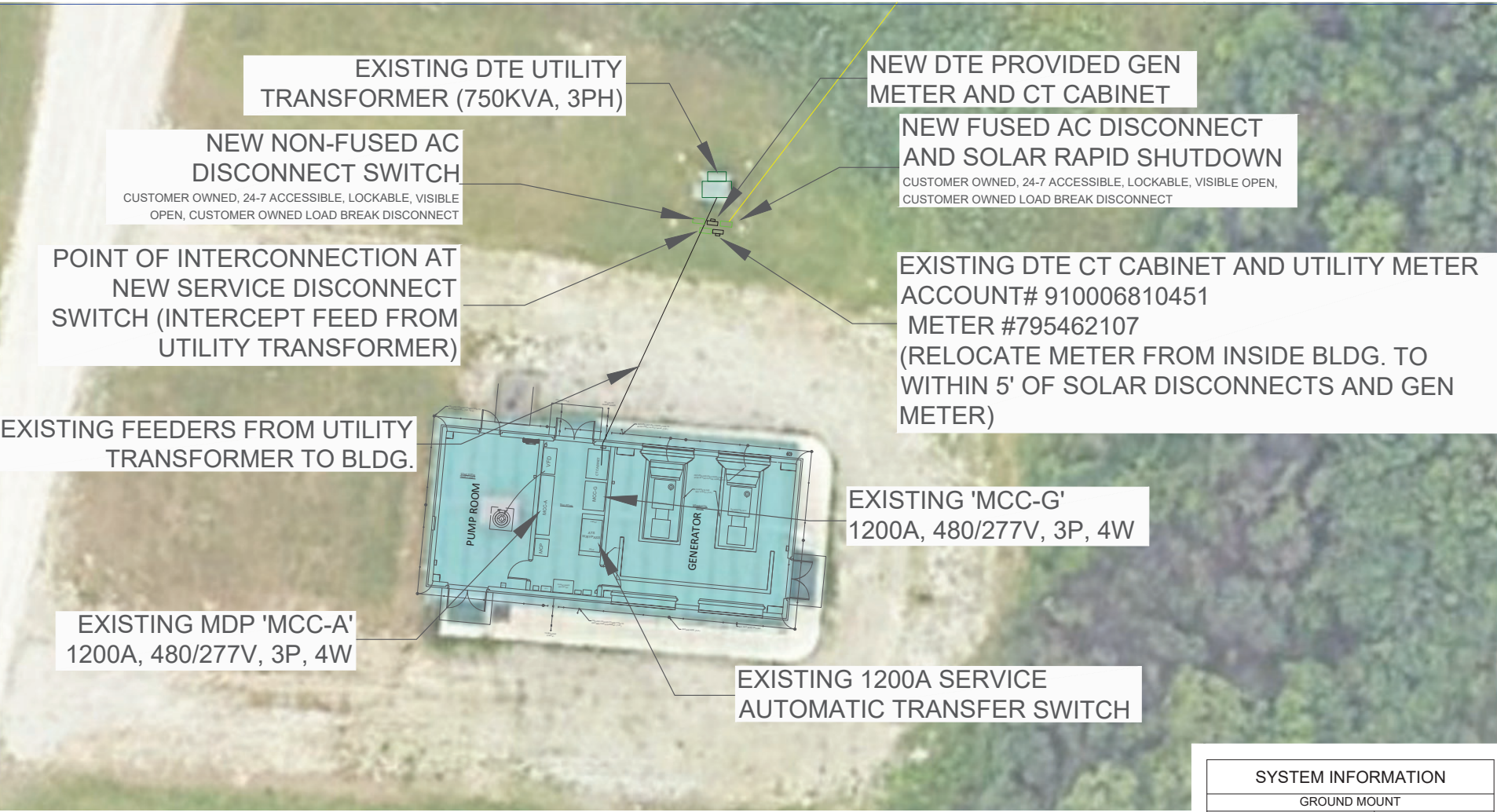
SHEET:
PV100

SYSTEM INFORMATION	
GROUND MOUNT	
TILT ANGLE	25°
DC SYSTEM SIZE	605.2 kWdc
AC SYSTEM SIZE	480.0 kWac
SYSTEM AZIMUTH	162°
MODULE POWER CLASS	445W
MODULE QUANTITY	1,360
STRING SIZE	16
INVERTER MANUFACTURER	CHINT POWER SYSTEMS
INVERTER AC OUTPUT	60 kW
INVERTER QUANTITY	8
DC SYSTEM VOLTAGE	1000 V
INVERTER AC VOLTAGE	480 V
RACKING TYPE	FIXED TILT
RACKING CONFIGURATION	2 HIGH PORTRAIT

LEGEND	
	CONDUIT
	SOLAR MODULE
	STRING WIRING
	CPS 60 kW INVERTER
	AC COMBINER
	SOLAR DISCONNECT
	EXISTING MDP FOR SOLAR POI
	EXISTING UTILITY METER
	EXISTING UTILITY TRANSFORMER
	EXISTING FENCE LINE



1 SITE PLAN
SCALE: 1" = 50' - 0"



LEGEND	
	CONDUIT
	SOLAR MODULE
	STRING WIRING
	CPS 60 kW INVERTER
	AC COMBINER
	SOLAR DISCONNECT
	EXISTING MDP FOR SOLAR POI
	EXISTING UTILITY METER
	EXISTING UTILITY TRANSFORMER
	EXISTING FENCE LINE

**MUNICIPAL AIRPORT
STEERE FARM PUMPS
CITY OF ANN ARBOR, MI**
605.2 kWDC, 480.0 kWAC SOLAR ARRAY

INTERCONNECTION PLAN
 SCALE: 1" = 7' - 0"

SYSTEM INFORMATION	
GROUND MOUNT	
TILT ANGLE	25°
DC SYSTEM SIZE	605.2 kWdc
AC SYSTEM SIZE	480.0 kWac
SYSTEM AZIMUTH	180°
MODULE POWER CLASS	445W
MODULE QUANTITY	1,360
STRING SIZE	16
INVERTER MANUFACTURER	CHINT POWER SYSTEMS
INVERTER AC OUTPUT	60 kW
INVERTER QUANTITY	8
DC SYSTEM VOLTAGE	1000 V
INVERTER AC VOLTAGE	480 V
RACKING TYPE	FIXED TILT
RACKING CONFIGURATION	2 HIGH PORTRAIT

5130 RIVER VALLEY ROAD
MILFORD, OH 45150
PHONE: (513) 966-7300
FAX: (513) 966-7353
www.melinkcorp.com
solarteam@melinkcorp.com



PROJECT:
CITY OF ANN ARBOR
MUNICIPAL AIRPORT
STEERE FARM PUMPS
4230 S. STATE ST.
ANN ARBOR, MI 48108

REVISIONS:	
DATE	ISSUANCE
03/15/2021	SITE LAYOUT
06/09/2022	SINGLE LINE
10/06/2022	IA SET
05/09/2023	IA SET rev2

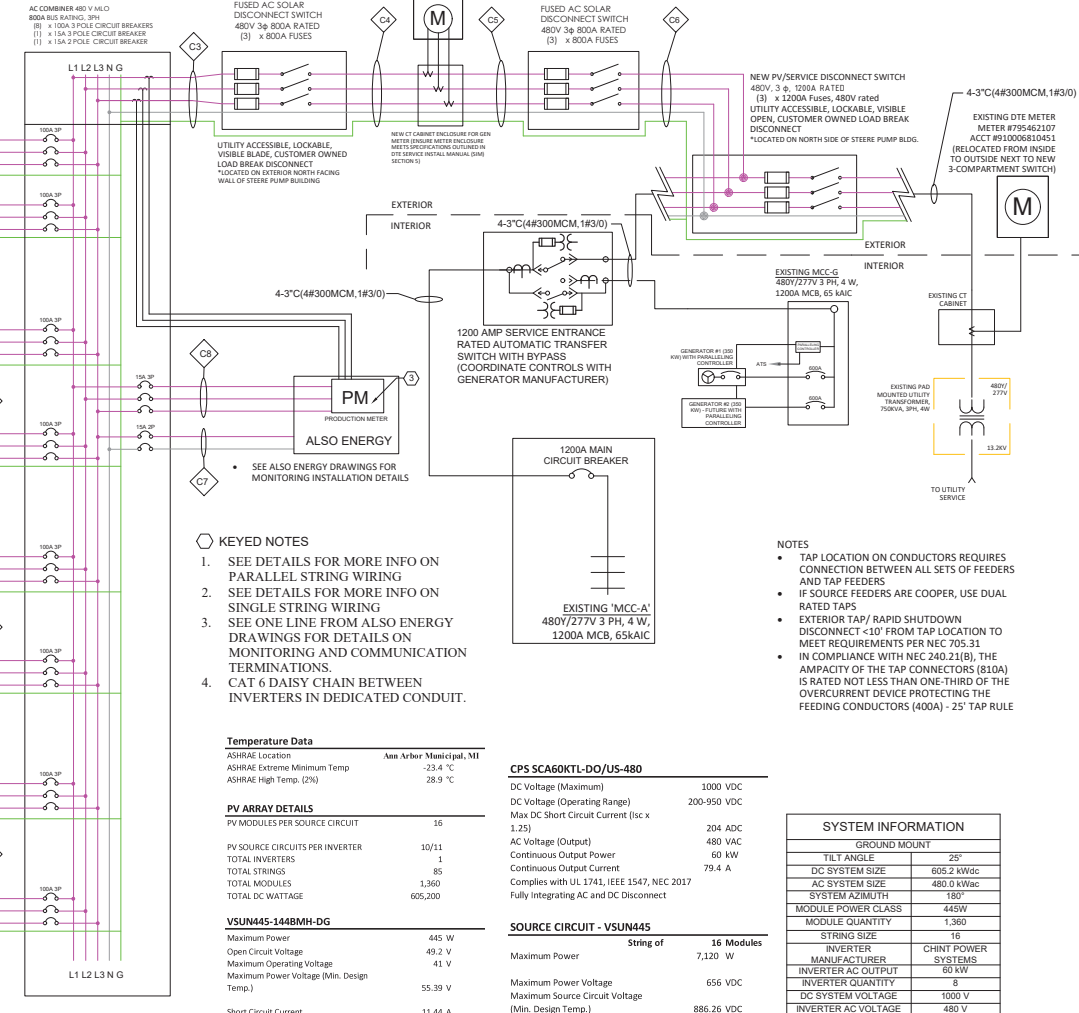
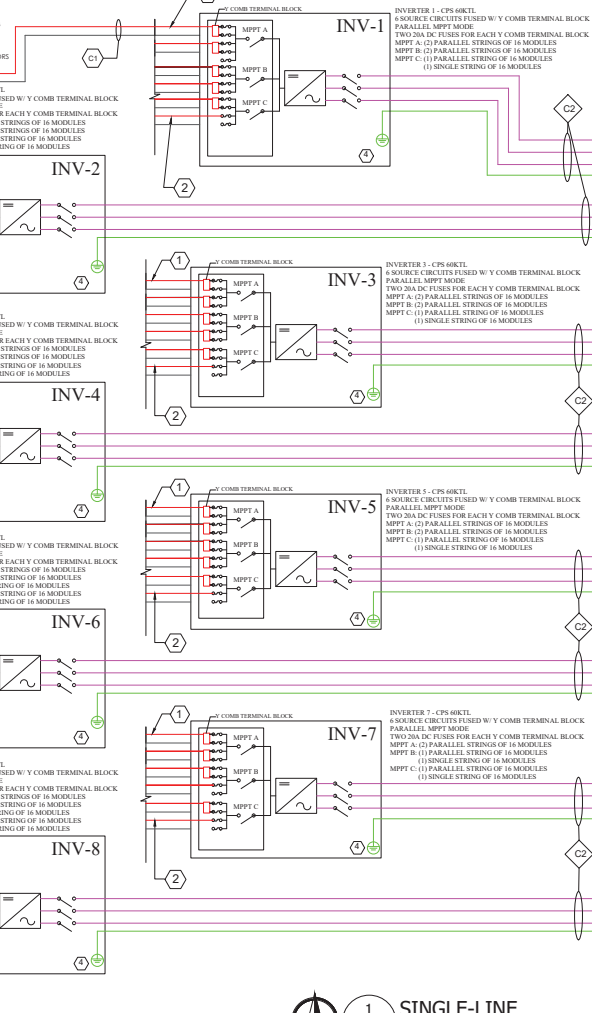


SEALED ON 09/29/23
M. License E20162465
H2DC PLLC MKE@H2DC.COM
ELECTRICAL ONLY

DRAWN BY: JE
CHECKED BY: NY

DWG TITLE:
Interconnection Plan
SHEET:
PV101

GROUND MOUNTED ARRAY (8) SERIES STRING
 VS04646N PV MODULES BOUNDED TO RACKING, RACKING BOUNDED TO EQUIPMENT GROUND
 14 MODULES PER STRING
 PARALLEL STRINGS W/ Y CONNECTORS IN ARRAY
 #15 & #16 C/PV WIRE FOR PV SOURCE CIRCUIT CONDUCTORS INSULATION RATED AT 1000VDC OR GREATER



LEGEND

	FUSE
	DISCONNECT SWITCH
	NEUTRAL
	GROUND
	3 PHASE
	1 PHASE
	DC +
	DC -
	EARTH GROUND

1 SINGLE-LINE
 PV200 SCALE: NTS

Cx	Wire Qty	Max Ampacity (A)	Distance (ft.)	Parallel Runs	Wire Size	Conductor Material	Insulation	Ground Size & Type	Neutral Size	Conduit Size and Type
1	2 + GND	14.40	300 (Avg.)	1	#10 AWG	CU	2kV, PV-Wire	Module/Wind Deflectors Integrated Grounding to #6 Bare CU	N/A	*1" TO 1-1/2" SCHD 40 PVC
2	3 + GND	79.4	140	1	#1/0 AWG	AL	600V, XHHW-2	#8 AWG XHHW-2 CU	N/A	(1) X 2" SCHD 40 PVC w/ Sch 80 elbows
3	4 + GND	635.2	520	3	500 kcmil	AL	600V, XHHW-2	#1/0 AWG XHHW-2 CU	#3/0 AWG XHHW-2 AL	(3) X 3" SCHD 40 PVC w/ Sch 80 elbows
4	4 + GND	635.2	5	3	400 kcmil	AL	600V, XHHW-2	#1/0 AWG XHHW-2 CU	#3/0 AWG XHHW-2 AL	(3) X 3" EMT w/ raintight fittings
5	4 + GND	635.2	5	3	400 kcmil	AL	600V, XHHW-2	#1/0 AWG XHHW-2 CU	#3/0 AWG XHHW-2 AL	(3) X 3" EMT w/ raintight fittings
6	4 + GND	635.2	5	3	400 kcmil	AL	600V, XHHW-2	#1/0 AWG XHHW-2 CU	#3/0 AWG XHHW-2 AL	(3) X 3" EMT w/ raintight fittings
7	2 + GND	5	7	1	#12 AWG	CU	THWN-2	#12 AWG THWN-2 CU	N/A	(1) X 3/4" Sch 40 PVC
8	3 + GND	5	7	1	#12 AWG	CU	THWN-2	#12 AWG THWN-2 CU	N/A	(1) X 3/4" Sch 40 PVC

- KEYED NOTES**
- SEE DETAILS FOR MORE INFO ON PARALLEL STRING WIRING
 - SEE DETAILS FOR MORE INFO ON SINGLE STRING WIRING
 - SEE ONE LINE FROM ALSO ENERGY DRAWINGS FOR DETAILS ON MONITORING AND COMMUNICATION TERMINATIONS.
 - CAT 6 DAISY CHAIN BETWEEN INVERTERS IN DEDICATED CONDUIT.

Temperature Data
 ASHRAE Location: Ann Arbor Municipal, MI
 ASHRAE Extreme Minimum Temp: -23.4 °C
 ASHRAE High Temp. (2%) : 28.9 °C

PV ARRAY DETAILS
 PV MODULES PER SOURCE CIRCUIT: 16
 PV SOURCE CIRCUITS PER INVERTER: 10/11
 TOTAL INVERTERS: 1
 TOTAL STRINGS: 85
 TOTAL MODULES: 1,360
 TOTAL DC WATTAGE: 605,200

VSUN445-144BMH-DG
 Maximum Power: 445 W
 Open Circuit Voltage: 49.2 V
 Maximum Operating Voltage: 41 V
 Maximum Power Voltage (Min. Design Temp.): 55.39 V
 Short Circuit Current: 11.44 A
 10.86 A
 Temperature Coefficient of Voc: -0.26 %/°C

CPS C5A60KTL-DO/US-480
 DC Voltage (Maximum): 1000 VDC
 DC Voltage (Operating Range): 200-950 VDC
 Max DC Short Circuit Current (Isc x 1.25): 204 ADC
 AC Voltage (Output): 480 VAC
 Continuous Output Power: 60 kW
 Continuous Output Current: 79.4 A
 Complies with UL 1741, IEEE 1547, NEC 2017
 Fully Integrating AC and DC Disconnect

SOURCE CIRCUIT - VSUN445
 String of 16 Modules
 Maximum Power: 7,120 W
 Maximum Power Voltage: 656 VDC
 Maximum Source Circuit Voltage (Min. Design Temp.): 886.26 VDC
 10.86 A
 Maximum Continuous Current: 14.30 ADC
 Maximum Power Current: 10.86 ADC

Cable List

Insulation	Ground Size & Type	Neutral Size	Conduit Size and Type
2kV, PV-Wire	Module/Wind Deflectors Integrated Grounding to #6 Bare CU	N/A	*1" TO 1-1/2" SCHD 40 PVC
600V, XHHW-2	#8 AWG XHHW-2 CU	N/A	(1) X 2" SCHD 40 PVC w/ Sch 80 elbows
600V, XHHW-2	#1/0 AWG XHHW-2 CU	#3/0 AWG XHHW-2 AL	(3) X 3" SCHD 40 PVC w/ Sch 80 elbows
600V, XHHW-2	#1/0 AWG XHHW-2 CU	#3/0 AWG XHHW-2 AL	(3) X 3" EMT w/ raintight fittings
600V, XHHW-2	#1/0 AWG XHHW-2 CU	#3/0 AWG XHHW-2 AL	(3) X 3" EMT w/ raintight fittings
600V, XHHW-2	#1/0 AWG XHHW-2 CU	#3/0 AWG XHHW-2 AL	(3) X 3" EMT w/ raintight fittings
THWN-2	#12 AWG THWN-2 CU	N/A	(1) X 3/4" Sch 40 PVC
THWN-2	#12 AWG THWN-2 CU	N/A	(1) X 3/4" Sch 40 PVC

- NOTES**
- TAP LOCATION ON CONDUCTORS REQUIRES CONNECTION BETWEEN ALL SETS OF FEEDERS AND TAP FEEDERS
 - IF SOURCE FEEDERS ARE COOPER, USE DUAL RATED TAPS
 - EXTERIOR TAP/ RAPID SHUTDOWN DISCONNECT <10' FROM TAP LOCATION TO MEET REQUIREMENTS PER NEC 705.31
 - IN COMPLIANCE WITH NEC 240.21(B), THE AMPACITY OF THE TAP CONNECTORS (B10A) IS RATED NOT LESS THAN ONE-THIRD OF THE OVERCURRENT DEVICE PROTECTING THE FEEDING CONDUCTORS (400A) - 2S' TAP RULE

SYSTEM INFORMATION

GROUND MOUNT	
TILT ANGLE	25°
DC SYSTEM SIZE	605.2 kWdc
AC SYSTEM SIZE	480.0 kWac
SYSTEM AZIMUTH	180°
MODULE POWER CLASS	445W
MODULE QUANTITY	1,360
STRING SIZE	16
INVERTER MANUFACTURER	CHINT POWER SYSTEMS
INVERTER AC OUTPUT	60 kW
INVERTER QUANTITY	8
DC SYSTEM VOLTAGE	1000 V
INVERTER AC VOLTAGE	480 V
RACKING TYPE	FIXED TILT
RACKING CONFIGURATION	2 HIGH PORTRAIT

5130 RIVER VALLEY ROAD
 MILFORD, OH 45150
 PHONE: (513) 965-7300
 FAX: (513) 965-7363
 www.melinkcorp.com
 solarteam@melinkcorp.com



PROJECT:
 CITY OF ANN ARBOR
 MUNICIPAL AIRPORT
 STEERING PUMPS
 ANN ARBOR, MI 48108

REVISIONS:

DATE	ISSUANCE
03/15/2021	SITE LAYOUT
08/09/2022	SINGLE LINE
10/06/2022	IA SET
05/09/2023	IA SET rev2

SEALING AND SIGNATURE AREA
 MICHAEL MICROSE
 License No. E30162463
 State of Ohio
 REGISTERED PROFESSIONAL ENGINEER

SEALING AND SIGNATURE AREA
 H2DC PLLC MIKE@H2DC.COM
 ELECTRICAL ONLY

DRAWN BY: J/E
 CHECKED BY: NY

DWG TITLE:
 Single Line

SHEET:
 PV200

ATTACHMENT B
GENERAL DECLARATIONS

City of Ann Arbor
Guy C. Larcom Municipal Building
Ann Arbor, Michigan 48107

Ladies and Gentlemen:

The undersigned, as Bidder, declares that this Bid is made in good faith, without fraud or collusion with any person or persons bidding on the same Contract; that this Bidder has carefully read and examined the bid documents, including City Nondiscrimination requirements and Declaration of Compliance Form, Living Wage requirements and Declaration of Compliance Form, Prevailing Wage requirements and Declaration of Compliance Form, Vendor Conflict of Interest Form, Notice of Pre-Bid Conference, General Information, Bid, Bid Forms, Contract, Bond Forms, General Conditions, Standard Specifications, Detailed Specifications, all Addenda, and the Plans (if applicable) and understands them. The Bidder declares that it conducted a full investigation at the site and of the work proposed and is fully informed as to the nature of the work and the conditions relating to the work's performance. The Bidder also declares that it has extensive experience in successfully completing projects similar to this one.

The Bidder acknowledges that it has not received or relied upon any representations or warrants of any nature whatsoever from the City of Ann Arbor, its agents or employees, and that this Bid is based solely upon the Bidder's own independent business judgment.

The undersigned proposes to perform all work shown on the plans or described in the bid documents, including any addenda issued, and to furnish all necessary machinery, tools, apparatus, and other means of construction to do all the work, furnish all the materials, and complete the work in strict accordance with all terms of the Contract of which this Bid is one part.

In accordance with these bid documents, and any Addenda, the undersigned, as Bidder, proposes to perform at the sites in and/or around Ann Arbor, Michigan, all the work included herein for the amounts set forth in the Bid Forms.

The Bidder declares that it has become fully familiar with the liquidated damage clauses for completion times and for compliance with City Code Chapter 112, understands and agrees that the liquidated damages are for the non-quantifiable aspects of non-compliance and do not cover actual damages that may be shown and agrees that if awarded the Contract, all liquidated damage clauses form part of the Contract.

The Bidder declares that it has become fully familiar with the provisions of Chapter 14, Section 1:320 (Prevailing wages) and Chapter 23 (Living Wage) of the Code of the City of Ann Arbor and that it understands and agrees to comply, to the extent applicable to employees providing services to the City under this Contract, with the wage and reporting requirements stated in the City Code provisions cited. Bidder certifies that the statements contained in the City Prevailing Wage and Living Wage Declaration of Compliance Forms are true and correct. Bidder further agrees that the cited provisions of Chapter 14 and Chapter 23 form a part of this Contract.

The Bidder declares that it has become familiar with the City Conflict of Interest Disclosure Form and certifies that the statement contained therein is true and correct.

The Bidder agrees both to contract for the work and to furnish the necessary Bonds and insurance documentation within 10 days after being notified of the acceptance of the Bid.

If this Bid is accepted by the City and the Bidder fails to contract and furnish the required Bonds and insurance documentation within 10 days after being notified of the acceptance of this Bid, then the Bidder shall be considered to have abandoned the Contract and the certified check or Bid Bond accompanying this Bid shall become due and payable to the City.

If the Bidder enters into the Contract in accordance with this Bid, or if this Bid is rejected, then the accompanying check or Bid Bond shall be returned to the Bidder.

In submitting this Bid, it is understood that the right is reserved by the City to accept any Bid, to reject any or all Bids, to waive irregularities and/or informalities in any Bid, and to make the award in any manner the City believes to be in its best interest.

SIGNED THIS 23rd DAY OF May, 2023.

Melink Solar, LLC

Bidder's Name

5140 River Valley Road
Milford, Ohio 45150

Official Address

513.965.7348

Telephone Number

Authorized Signature of Bidder

Seth Parker

(Print Name of Signer Above)

sparker@melinksolar.com

Email Address for Award Notice

ATTACHMENT C
LEGAL STATUS OF BIDDER

(The bidder shall fill out the appropriate form and strike out the other three.)

Bidder declares that it is:

NOTE: If not incorporated in Michigan, please attach the corporation's Certificate of Authority

- A limited liability company doing business under the laws of the State of Ohio, whom Seth Parker bearing the title of CEO whose signature is affixed to this proposal, is authorized to execute contract on behalf of the LLC.

* A partnership, organized under the laws of the state of _____ and filed in the county of _____, whose members are (list all members and the street and mailing address of each) (attach separate sheet if necessary):

* An individual, whose signature with address, is affixed to this Bid: _____
(initial here)

Authorized Official

_____ **Date** _____, 202_

(Print) Name Seth Parker Title CEO

Company: Melink Solar, LLC

Address: 5140 River Valley Road, Milford, Ohio 45150

Contact Phone 513.965.7348 Fax _____

Email sparker@melinksolar.com

ATTACHMENT D
PREVAILING WAGE DECLARATION OF COMPLIANCE

The "wage and employment requirements" of Section 1:320 of Chapter 14 of Title I of the Ann Arbor City Code mandates that the city not enter any contract, understanding or other arrangement for a public improvement for or on behalf of the city unless the contract provides that all craftsmen, mechanics and laborers employed directly on the site in connection with said improvements, including said employees of subcontractors, shall receive the prevailing wage for the corresponding classes of craftsmen, mechanics and laborers, as determined by statistics for the Ann Arbor area compiled by the United States Department of Labor. Where the contract and the Ann Arbor City Code are silent as to definitions of terms required in determining contract compliance with regard to prevailing wages, the definitions provided in the Davis-Bacon Act as amended (40 U.S.C. 278-a to 276-a-7) for the terms shall be used. Further, to the extent that any employees of the contractor providing services under this contract are not part of the class of craftsmen, mechanics and laborers who receive a prevailing wage in conformance with section 1:320 of Chapter 14 of Title I of the Code of the City of Ann Arbor, employees shall be paid a prescribed minimum level of compensation (i.e. Living Wage) for the time those employees perform work on the contract in conformance with section 1:815 of Chapter 23 of Title I of the Code of the City of Ann Arbor.

At the request of the city, any contractor or subcontractor shall provide satisfactory proof of compliance with this provision.

The Contractor agrees:

- (a) To pay each of its employees whose wage level is required to comply with federal, state or local prevailing wage law, for work covered or funded by this contract with the City,
- (b) To require each subcontractor performing work covered or funded by this contract with the City to pay each of its employees the applicable prescribed wage level under the conditions stated in subsection (a) or (b) above.
- (c) To provide to the City payroll records or other documentation within ten (10) business days from the receipt of a request by the City.
- (d) To permit access to work sites to City representatives for the purposes of monitoring compliance, and investigating complaints or non-compliance.

The undersigned states that he/she has the requisite authority to act on behalf of his/her employer in these matters and has offered to provide the services in accordance with the terms of the wage and employment provisions of the Chapter 14 of the Ann Arbor City Code. The undersigned certifies that he/she has read and is familiar with the terms of Section 1:320 of Chapter 14 of the Ann Arbor City Code and by executing this Declaration of Compliance obligates his/her employer and any subcontractor employed by it to perform work on the contract to the wage and employment requirements stated herein. The undersigned further acknowledges and agrees that if it is found to be in violation of the wage and employment requirements of Section 1:320 of the Chapter 14 of the Ann Arbor City Code it shall be deemed a material breach of the terms of the contract and grounds for termination of same by the City.

Melink Solar, LLC

Company Name

Signature of Authorized Representative

Date

Seth Parker, CEO

Print Name and Title

5140 River Valley Road
Milford, Ohio 45150

Address, City, State, Zip

513.965.7348 | sparker@melinksolar.com

Phone/Email address

Questions about this form? Contact Procurement Office City of Ann Arbor Phone: 734/794-6500

ATTACHMENT E
LIVING WAGE ORDINANCE DECLARATION OF COMPLIANCE

The Ann Arbor Living Wage Ordinance (Section 1:811-1:821 of Chapter 23 of Title I of the Code) requires that an employer who is (a) a contractor providing services to or for the City for a value greater than \$10,000 for any twelve-month contract term, or (b) a recipient of federal, state, or local grant funding administered by the City for a value greater than \$10,000, or (c) a recipient of financial assistance awarded by the City for a value greater than \$10,000, shall pay its employees a prescribed minimum level of compensation (i.e., Living Wage) for the time those employees perform work on the contract or in connection with the grant or financial assistance. The Living Wage must be paid to these employees for the length of the contract/program.

Companies employing fewer than 5 persons and non-profits employing fewer than 10 persons are exempt from compliance with the Living Wage Ordinance. If this exemption applies to your company/non-profit agency please check here No. of employees__

The Contractor or Grantee agrees:

- (a) To pay each of its employees whose wage level is not required to comply with federal, state or local prevailing wage law, for work covered or funded by a contract with or grant from the City, no less than the Living Wage. The current Living Wage is defined as \$14.82/hour for those employers that provide employee health care (as defined in the Ordinance at Section 1:815 Sec. 1 (a)), or no less than \$16.52/hour for those employers that do not provide health care. The Contractor or Grantor understands that the Living Wage is adjusted and established annually on April 30 in accordance with the Ordinance and covered employers shall be required to pay the adjusted amount thereafter to be in compliance with Section 1:815(3).

Check the applicable box below which applies to your workforce

- Employees who are assigned to any covered City contract/grant will be paid at or above the applicable living wage without health benefits
- Employees who are assigned to any covered City contract/grant will be paid at or above the applicable living wage with health benefits

- (b) To post a notice approved by the City regarding the applicability of the Living Wage Ordinance in every work place or other location in which employees or other persons contracting for employment are working.
- (c) To provide to the City payroll records or other documentation within ten (10) business days from the receipt of a request by the City.
- (d) To permit access to work sites to City representatives for the purposes of monitoring compliance, and investigating complaints or non-compliance.
- (e) To take no action that would reduce the compensation, wages, fringe benefits, or leave available to any employee covered by the Living Wage Ordinance or any person contracted for employment and covered by the Living Wage Ordinance in order to pay the living wage required by the Living Wage Ordinance.

The undersigned states that he/she has the requisite authority to act on behalf of his/her employer in these matters and has offered to provide the services or agrees to accept financial assistance in accordance with the terms of the Living Wage Ordinance. The undersigned certifies that he/she has read and is familiar with the terms of the Living Wage Ordinance, obligates the Employer/Grantee to those terms and acknowledges that if his/her employer is found to be in violation of Ordinance it may be subject to civil penalties and termination of the awarded contract or grant of financial assistance.

Melink Solar, LLC
5140 River Valley Road

Company Name

Street Address

Milford, Ohio 45150

Signature of Authorized Representative Date

City, State, Zip

Seth Parker, CEO
513.965.7348 | sparker@melinksolar.com

Print Name and Title

Phone/Email address

Attachment F

RATE EFFECTIVE APRIL 30, 2022 - ENDING APRIL 29, 2023

\$14.82 per hour

If the employer provides health care benefits*

\$16.52 per hour

If the employer does **NOT** provide health care benefits*

Employers providing services to or for the City of Ann Arbor or recipients of grants or financial assistance from the City of Ann Arbor for a value of more than \$10,000 in a twelve-month period of time must pay those employees performing work on a City of Ann Arbor contract or grant, the above living wage.

ENFORCEMENT

The City of Ann Arbor may recover back wages either administratively or through court action for the employees that have been underpaid in violation of the law. Persons denied payment of the living wage have the right to bring a civil action for damages in addition to any action taken by the City.

Violation of this Ordinance is punishable by fines of not more than \$500/violation plus costs, with each day being considered a separate violation. Additionally, the City of Ann Arbor has the right to modify, terminate, cancel or suspend a contract in the event of a violation of the Ordinance.

* Health Care benefits include those paid for by the employer or making an employer contribution toward the purchase of health care. The employee contribution must not exceed \$.50 an hour for an average work week; and the employer cost or contribution must equal no less than \$1/hr for the average work week.

The Law Requires Employers to Display This Poster Where Employees Can Readily See It.

**For Additional Information or to File a Complaint contact
Colin Spencer at 734/794-6500 or cspencer@a2gov.org**



ATTACHEMENT G

All vendors interested in conducting business with the City of Ann Arbor must complete and return the Vendor Conflict of Interest Disclosure Form in order to be eligible to be awarded a contract. Please note that all vendors are subject to comply with the City of Ann Arbor’s conflict of interest policies as stated within the certification section below.

If a vendor has a relationship with a City of Ann Arbor official or employee, an immediate family member of a City of Ann Arbor official or employee, the vendor shall disclose the information required below.

1. No City official or employee or City employee’s immediate family member has an ownership interest in vendor’s company or is deriving personal financial gain from this contract.
2. No retired or separated City official or employee who has been retired or separated from the City for less than one (1) year has an ownership interest in vendor’s Company.
3. No City employee is contemporaneously employed or prospectively to be employed with the vendor.
4. Vendor hereby declares it has not and will not provide gifts or hospitality of any dollar value or any other gratuities to any City employee or elected official to obtain or maintain a contract.
5. Please note any exceptions below:

Conflict of Interest Disclosure*	
Name of City of Ann Arbor employees, elected officials or immediate family members with whom there may be a potential conflict of interest.	<input type="checkbox"/> Relationship to employee <hr/> <input type="checkbox"/> Interest in vendor’s company <input type="checkbox"/> Other (please describe in box below)
None	

*Disclosing a potential conflict of interest does not disqualify vendors. In the event vendors do not disclose potential conflicts of interest and they are detected by the City, vendor will be exempt from doing business with the City.

I certify that this Conflict of Interest Disclosure has been examined by me and that its contents are true and correct to my knowledge and belief and I have the authority to so certify on behalf of the Vendor by my signature below:		
Melink Solar, LLC	513.965.7348	
Vendor Name	Vendor Phone Number	
	5/23/2023	Seth Parker, CEO
Signature of Vendor Authorized Representative	Date	Printed Name of Vendor Authorized Representative

Questions about this form? Contact Procurement Office City of Ann Arbor Phone: 734/794-6500, procurement@a2gov.org

ATTACHMENT H

DECLARATION OF COMPLIANCE

Non-Discrimination Ordinance

The "non discrimination by city contractors" provision of the City of Ann Arbor Non-Discrimination Ordinance (Ann Arbor City Code Chapter 112, Section 9:158) requires all contractors proposing to do business with the City to treat employees in a manner which provides equal employment opportunity and does not discriminate against any of their employees, any City employee working with them, or any applicant for employment on the basis of actual or perceived age, arrest record, color, disability, educational association, familial status, family responsibilities, gender expression, gender identity, genetic information, height, HIV status, marital status, national origin, political beliefs, race, religion, sex, sexual orientation, source of income, veteran status, victim of domestic violence or stalking, or weight. It also requires that the contractors include a similar provision in all subcontracts that they execute for City work or programs.

In addition the City Non-Discrimination Ordinance requires that all contractors proposing to do business with the City of Ann Arbor must satisfy the contract compliance administrative policy adopted by the City Administrator. A copy of that policy may be obtained from the Purchasing Manager

The Contractor agrees:

- (a) To comply with the terms of the City of Ann Arbor's Non-Discrimination Ordinance and contract compliance administrative policy, including but not limited to an acceptable affirmative action program if applicable.
- (b) To post the City of Ann Arbor's Non-Discrimination Ordinance Notice in every work place or other location in which employees or other persons are contracted to provide services under a contract with the City.
- (c) To provide documentation within the specified time frame in connection with any workforce verification, compliance review or complaint investigation.
- (d) To permit access to employees and work sites to City representatives for the purposes of monitoring compliance, or investigating complaints of non-compliance.

The undersigned states that he/she has the requisite authority to act on behalf of his/her employer in these matters and has offered to provide the services in accordance with the terms of the Ann Arbor Non-Discrimination Ordinance. The undersigned certifies that he/she has read and is familiar with the terms of the Non-Discrimination Ordinance, obligates the Contractor to those terms and acknowledges that if his/her employer is found to be in violation of Ordinance it may be subject to civil penalties and termination of the awarded contract.

Melink Solar, LLC

Company Name

Signature of Authorized Representative

Date

Seth Parker, CEO

Print Name and Title

5140 River Valley Road
Milford, Ohio 45150

Address, City, State, Zip

513.965.7348 | sparker@melinksolar.com

Phone/Email address

Questions about the Notice or the City Administrative Policy, Please contact:
Procurement Office of the City of Ann Arbor
(734) 794-6500

ATTACHMENT I

CITY OF ANN ARBOR NON-DISCRIMINATION ORDINANCE

Relevant provisions of Chapter 112, Nondiscrimination, of the Ann Arbor City Code are included below.
You can review the entire ordinance at www.a2gov.org/humanrights.

Intent: It is the intent of the city that no individual be denied equal protection of the laws; nor shall any individual be denied the enjoyment of his or her civil or political rights or be discriminated against because of actual or perceived age, arrest record, color, disability, educational association, familial status, family responsibilities, gender expression, gender identity, genetic information, height, HIV status, marital status, national origin, political beliefs, race, religion, sex, sexual orientation, source of income, veteran status, victim of domestic violence or stalking, or weight.

Discriminatory Employment Practices: No person shall discriminate in the hire, employment, compensation, work classifications, conditions or terms, promotion or demotion, or termination of employment of any individual. No person shall discriminate in limiting membership, conditions of membership or termination of membership in any labor union or apprenticeship program.

Discriminatory Effects: No person shall adopt, enforce or employ any policy or requirement which has the effect of creating unequal opportunities according to actual or perceived age, arrest record, color, disability, educational association, familial status, family responsibilities, gender expression, gender identity, genetic information, height, HIV status, marital status, national origin, political beliefs, race, religion, sex, sexual orientation, source of income, veteran status, victim of domestic violence or stalking, or weight for an individual to obtain housing, employment or public accommodation, except for a bona fide business necessity. Such a necessity does not arise due to a mere inconvenience or because of suspected objection to such a person by neighbors, customers or other persons.

Nondiscrimination by City Contractors: All contractors proposing to do business with the City of Ann Arbor shall satisfy the contract compliance administrative policy adopted by the City Administrator in accordance with the guidelines of this section. All city contractors shall ensure that applicants are employed and that employees are treated during employment in a manner which provides equal employment opportunity and tends to eliminate inequality based upon any classification protected by this chapter. All contractors shall agree not to discriminate against an employee or applicant for employment with respect to hire, tenure, terms, conditions, or privileges of employment, or a matter directly or indirectly related to employment, because of any applicable protected classification. All contractors shall be required to post a copy of Ann Arbor's Non-Discrimination Ordinance at all work locations where its employees provide services under a contract with the city.

Complaint Procedure: If any individual believes there has been a violation of this chapter, he/she may file a complaint with the City's Human Rights Commission. The complaint must be filed within 180 calendar days from the date of the individual's knowledge of the allegedly discriminatory action or 180 calendar days from the date when the individual should have known of the allegedly discriminatory action. A complaint that is not filed within this timeframe cannot be considered by the Human Rights Commission. To file a complaint, first complete the complaint form, which is available at www.a2gov.org/humanrights. Then submit it to the Human Rights Commission by e-mail (hrc@a2gov.org), by mail (Ann Arbor Human Rights Commission, PO Box 8647, Ann Arbor, MI 48107), or in person (City Clerk's Office). For further information, please call the commission at 734-794-6141 or e-mail the commission at hrc@a2gov.org.

Private Actions For Damages or Injunctive Relief: To the extent allowed by law, an individual who is the victim of discriminatory action in violation of this chapter may bring a civil action for appropriate injunctive relief or damages or both against the person(s) who acted in violation of this chapter.

THIS IS AN OFFICIAL GOVERNMENT NOTICE AND
MUST BE DISPLAYED WHERE EMPLOYEES CAN READILY SEE IT.

2017 Rev. 0

ATTACHMENT J
SCHEDULE OF VALUES

Milestone Payment #	Milestone Description	Milestone Percentage of Total Amount
1	Stamped Electrical Engineering Drawings Complete	5.0%
2	Purchase Order issued for Modules	20.0%
3	Purchase Order issued for Racking	10.0%
4	Mobilization	10.0%
5	Modules Delivered	20.0%
6	Racking Delivered	10.0%
7	Foundation 50% Complete	3.0%
8	Foundation 100% Complete	3.0%
9	Racking 50% Complete	3.0%
10	Racking 100% Complete	3.0%
11	Module Installation 50% Complete	1.5%
12	Module Installation 100% Complete	1.5%
13	DC Wiring 50% Complete	1.5%
14	DC Wiring 100% Complete	1.5%
15	AC Wiring 50% Complete	1.5%
16	AC Wiring 100% Complete	1.5%
17	Substantial Completion (Permission to Operate)	2.0%
18	Final Completion Achieved (Punch List Items)	2.0%
Total		100.0%

MICHIGAN DEPARTMENT OF TRANSPORTATION CERTIFIED PAYROLL

COMPLETION OF CERTIFIED PAYROLL FORM FULFILLS THE MINIMUM MDOT PREVAILING WAGE REQUIREMENTS

(1) NAME OF CONTRACTOR / SUBCONTRACTOR (CIRCLE ONE) (2) ADDRESS

(3) PAYROLL NO. (4) FOR WEEK ENDING (5) PROJECT AND LOCATION (6) CONTRACT ID

(a)	(b)	(c)	(d) DAY AND DATE							(e)	(f)	(g)	(h)	(i)	(j) DEDUCTIONS						(k)
															TOTAL HOURS ON PROJECT	PROJECT RATE OF PAY	PROJECT RATE OF FRINGE PAY	GROSS PROJECT EARNED	GROSS WEEKLY EARNED	TOTAL WEEKLY HOURS WORKED ALL JOBS	
EMPLOYEE INFORMATION	WORK CLASSIFICATION	Hour Type	HOURS WORKED ON PROJECT							TOTAL HOURS ON PROJECT	PROJECT RATE OF PAY	PROJECT RATE OF FRINGE PAY	GROSS PROJECT EARNED	GROSS WEEKLY EARNED	TOTAL WEEKLY HOURS WORKED ALL JOBS	FICA	FEDERAL	STATE	OTHER	TOTAL DEDUCT	TOTAL WEEKLY WAGES PAID FOR ALL JOBS
NAME:									0				\$0.00							\$0.00	\$0.00
ETH#GEN: ID #:	GROUP/CLASS #:	S							0											\$0.00	\$0.00
NAME:									0				\$0.00							\$0.00	\$0.00
ETH#GEN: ID #:	GROUP/CLASS #:	S							0											\$0.00	\$0.00
NAME:									0				\$0.00							\$0.00	\$0.00
ETH#GEN: ID #:	GROUP/CLASS #:	S							0											\$0.00	\$0.00
NAME:									0				\$0.00							\$0.00	\$0.00
ETH#GEN: ID #:	GROUP/CLASS #:	S							0											\$0.00	\$0.00
NAME:									0				\$0.00							\$0.00	\$0.00
ETH#GEN: ID #:	GROUP/CLASS #:	S							0											\$0.00	\$0.00
NAME:									0				\$0.00							\$0.00	\$0.00
ETH#GEN: ID #:	GROUP/CLASS #:	S							0											\$0.00	\$0.00
NAME:									0				\$0.00							\$0.00	\$0.00

Date _____

I, _____
 (Name of Signatory Party) (Title)

do hereby state:

(1) That I pay or supervise the payment of the persons employed by

_____ on the
 (Contractor or Subcontractor)
 _____; that during the payroll period commencing on the
 (Building or Work)

_____ day of _____, _____, and ending the _____ day of _____, _____,
 all persons employed on said project have been paid the full weekly wages earned, that no rebates have
 been or will be made either directly or indirectly to or on behalf of said

_____ from the full
 (Contractor or Subcontractor)

weekly wages earned by any person and that no deductions have been made either directly or indirectly
 from the full wages earned by any person, other than permissible deductions as defined in Regulations, Part
 3 (29 C.F.R. Subtitle A), issued by the Secretary of Labor under the Copeland Act, as amended (48 Stat. 948,
 63 Stat. 108, 72 Stat. 967; 76 Stat. 357; 40 U.S.C. § 3145), and described below:

(2) That any payrolls otherwise under this contract required to be submitted for the above period are
 correct and complete; that the wage rates for laborers or mechanics contained therein are not less than the
 applicable wage rates contained in any wage determination incorporated into the contract; that the
 classifications set forth therein for each laborer or mechanic conform with the work he performed.

(3) That any apprentices employed in the above period are duly registered in a bona fide
 apprenticeship program registered with a State apprenticeship agency recognized by the Bureau of
 Apprenticeship and Training, United States Department of Labor, or if no such recognized agency exists in a
 State, are registered with the Bureau of Apprenticeship and Training, United States Department of Labor.

(4) That:

(a) WHERE FRINGE BENEFITS ARE PAID TO APPROVED PLANS, FUNDS, OR PROGRAMS

- in addition to the basic hourly wage rates paid to each laborer or mechanic listed in
 the above referenced payroll, payments of fringe benefits as listed in the contract
 have been or will be made to appropriate programs for the benefit of such
 employees, except as noted in section 4(c) below.

(b) WHERE FRINGE BENEFITS ARE PAID IN CASH

- Each laborer or mechanic listed in the above referenced payroll has been paid,
 as indicated on the payroll, an amount not less than the sum of the applicable
 basic hourly wage rate plus the amount of the required fringe benefits as listed
 in the contract, except as noted in section 4(c) below.

(c) EXCEPTIONS

EXCEPTION (CRAFT)	EXPLANATION

REMARKS:

NAME AND TITLE	SIGNATURE

THE WILLFUL FALSIFICATION OF ANY OF THE ABOVE STATEMENTS MAY SUBJECT THE CONTRACTOR OR
 SUBCONTRACTOR TO CIVIL OR CRIMINAL PROSECUTION. SEE SECTION 1001 OF TITLE 18 AND SECTION 231 OF TITLE
 31 OF THE UNITED STATES CODE.