

copy

CITY OF ANN ARBOR
INVITATION TO BID



2022 Utility Infrastructure Materials

ITB No. 4715

Due Date: May 10, 2022 at 10:00 AM (Local Time)

Public Services/Public Works

Issued By:

City of Ann Arbor
Procurement Unit
301 E. Huron Street
Ann Arbor, MI 48104

TABLE OF CONTENTS

INSTRUCTIONS TO BIDDERS	3
INVITATION TO BID	7
SPECIFICATIONS	9
BID FORM	15
GENERAL CONDITIONS	43

ATTACHMENTS

City of Ann Arbor Standard Purchase Order Terms and Conditions

City of Ann Arbor Vendor Conflict of Interest Disclosure Form

City of Ann Arbor Non-Discrimination Ordinance Declaration Form and Notice

INSTRUCTIONS TO BIDDERS

General

The City of Ann Arbor's Procurement Office is soliciting bids for the purchase of utility infrastructure materials based on the specifications provided herein. The pricing provided for this ITB shall be firm for one (1) year.

Any Bid which does not conform fully to these instructions may be rejected.

Preparation of Bids

Bids should be prepared providing a straight-forward, concise description of the Bidder's ability to meet the requirements of the ITB. Bids shall be written in ink or typewritten. No erasures are permitted. Mistakes may be crossed out and corrected and must be initialed and dated in ink by the person signing the Bid.

Bids must be submitted on the "Bid Forms" provided with each blank properly filled in. If forms are not fully completed it may disqualify the bid. No alternative bid will be considered unless alternative bids are specifically requested. If alternatives are requested, any deviation from the specification must be fully described, in detail on a clearly marked "Alternate" section of Bid form.

Each person signing the Bid certifies that he/she is the person in the Bidder's firm/organization responsible for the decision as to the fees being offered in the Bid and has not and will not participated in any action contrary to the terms of this provision.

Questions or Clarifications / Designated City Contacts

All questions regarding this ITB shall be submitted via email. Emailed questions and inquires will be accepted from any and all prospective Bidders in accordance with the terms and conditions of the ITB.

All questions shall be due on or before April 29, 2022 @ 1:00 p.m. and should be addressed as follows:

Specification/Scope of Work questions emailed to Paul Matthews, pmatthews@a2gov.org
Bid Process and Compliance questions emailed to Colin Spencer, CSpencer@a2gov.org

Any error, omissions or discrepancies in the specification discovered by a prospective contractor and/or service provider shall be brought to the attention of Colin Spencer at cspencer@a2gov.org after discovery as possible. Further, the contractor and/or service provider shall not be allowed to take advantage of errors, omissions or discrepancies in the specifications.

Addenda

If it becomes necessary to revise any part of the ITB, notice of the Addendum will be posted to Michigan Inter-governmental Trade Network (MITN) www.mitn.info and/or City of Ann Arbor web site www.A2gov.org for all parties to download.

Each Bidder must in its Bid, to avoid any miscommunications, acknowledge all addenda which it has received, but the failure of a Bidder to receive, or acknowledge receipt of, any addenda shall not relieve the Bidder of the responsibility for complying with the terms thereof.

The City will not be bound by oral responses to inquiries or written responses other than written addenda.

Bid Submission

All Bids are due and must be delivered to the City of Ann Arbor Procurement Unit on or before May 10, 2022 at 10:00 a.m. (Local time). Bids submitted late or via oral, telephonic, telegraphic, electronic mail or facsimile **will not** be considered or accepted.

Each Bidder should submit one (1) original Bid and one (1) Bid copy in a sealed envelope clearly marked: ITB No. 4715 – 2022 Utility Infrastructure Materials.

Bids must be addressed and delivered to:

City of Ann Arbor
Procurement Unit,
c/o Customer Services, 1st Floor
301 East Huron Street
Ann Arbor, MI 48104

All Bids received on or before the Due Date will be publicly opened and recorded immediately. No immediate decisions are rendered.

The following forms provided within this ITB Document should be included in submitted bids.

- **Vendor Conflict of Interest Disclosure Form**
- **City of Ann Arbor Non-Discrimination Ordinance Declaration of Compliance**

Bids that fail to provide these forms listed above upon bid opening may be rejected as non-responsive and may not be considered for award.

Hand delivered bids may be dropped off in the Purchasing drop box located in the Ann Street (north) vestibule/entrance of City Hall which is accessible to the public at all hours. The City will not be liable to any Bidder for any unforeseen circumstances, delivery or postal delays. Postmarking to the Due Date will not substitute for receipt of the Bid. Each Bidder is responsible for submission of their Bid.

Additional time for submission of bids past the stated due date and time will not be granted to a single Bidder; however, additional time may be granted to all Bidders when the City determines in its sole discretion that circumstances warrant it.

Award

The City intends to award a Contract/Purchase Order to the lowest responsible Bidder(s) providing the best value to the City. The City may, at its sole discretion, award line-by-line in the best interest of value to the City.

Responsible bidder means a bid submitted, which conforms in all aspects of the requirements set forth in the invitation to bid. All aspects could include references, past experience, past performance, and qualifications.

Official Documents

The City of Ann Arbor officially distributes bid documents from the Procurement Unit or through the Michigan Intergovernmental Trade Network (MITN). Copies of the bid documents obtained from any other source are not Official copies. Addenda and other bid information will only be posted to these official distribution sites. If you obtained City of Ann Arbor Bid documents from other sources, it is recommended that you register on www.MITN.info and obtain an official Bid.

Taxes

Municipalities are exempt from Michigan State Sales and Federal Excise taxes. Do not include such taxes in the bid figure(s). The City will furnish the successful bidder with tax exemption certificates when requested.

Withdrawal of Bids

After the time of opening, no Bid may be withdrawn for the period of one-hundred and twenty (120) days.

Non-Discrimination Requirements

All contractors proposing to do business with the City shall satisfy the non-discrimination administrative policy adopted by the City Administrator in accordance with the Section 9:158 of the Ann Arbor City Code. Breach of the obligation not to discriminate shall be a material breach of the contract. Contractors are required to post a copy of Ann Arbor's Non-Discrimination Ordinance attached at all work locations where its employees provide services under a contract with the City.

Conflict Of Interest Disclosure

The City of Ann Arbor Purchasing Policy requires that prospective Vendors complete a Conflict of Interest Disclosure form. A contract may not be awarded to the selected Vendor unless and until the Procurement Unit and the City Administrator have reviewed the Disclosure form and determined that no conflict exists under applicable federal, state, or local law or administrative regulation. Not every relationship or situation disclosed on the Disclosure Form may be a disqualifying conflict. Depending on applicable law and regulations, some contracts may awarded on the recommendation of the City Administrator after full disclosure, where such action is allowed by law, if demonstrated competitive pricing exists and/or it is determined the award is in the best interest of the City. A copy of the Vendor Conflict of Interest Disclosure Form is attached.

Debarment

Submission of a Bid in response to this ITB is certification that the Bidder is not currently debarred, suspended, proposed for debarment, and declared ineligible or voluntarily excluded from participation in this transaction by any State or Federal departments or agency. Submission is also agreement that the City will be notified of any changes in this status.

Disclosures

After bids are opened, all information in a submitter's bid is subjected to disclosure under the provisions of Michigan Public Act No. 442 of 1976, as amended (MCL 15.231 et seq.) known as the "Freedom of Information Act." The Freedom of Information Act also provides for the complete disclosure of contracts and attachments thereto except where specifically exempted.

Bid Protest

All Bid protests must be in writing and filed with the Purchasing Agent within five (5) business days of the award action. The bidder must clearly state the reasons for the protest. If a bidder contacts a City Service Area/Unit and indicates a desire to protest an award, the Service Area/Unit shall refer the bidder to the Purchasing Agent. The Purchasing Agent will provide the bidder with the appropriate instructions for filing the protest. The protest shall be reviewed by the City Administrator or designee whose decision shall be final.

Any inquiries or requests regarding this procurement should be only submitted in writing to the Designated City Contacts provided herein. Attempts by the Offeror to initiate contact with anyone other than the Designated City Contacts provided herein that the prospective Offeror believes can influence the procurement decision, e.g., Elected Officials, City Administrator, Selection

Committee Members, Appointed Committee Members, etc., may lead to immediate elimination from further consideration.

Cost Liability

The City of Ann Arbor assumes no responsibility or liability for costs incurred by the Bidder prior to the execution of a contract with the City. By submitting a bid, a bidder agrees to bear all costs incurred or related to the preparation, submission and selection process for the bid.

Reservation of Rights

The City of Ann Arbor reserves the right to accept any bid or alternative bid proposed in whole or in part, to reject any or all bids or alternatives bids in whole or in part and to waive irregularity and/or informalities in any bid and to make the award in any manner deemed in the best interest of the City.

Environmental Commitment

The City of Ann Arbor recognizes its responsibility to minimize negative impacts on human health and the environment while supporting a vibrant community and economy. The City further recognizes that the products and services the City buys have inherent environmental and economic impacts and that the City should make procurement decisions that embody, promote, and encourage the City's commitment to the environment.

The City encourages potential vendors to bring forward emerging and progressive products and services that are best suited to the City's environmental principles.

INVITATION TO BID

City of Ann Arbor
Guy C. Larcom Municipal Building
Ann Arbor, Michigan 48107

Ladies and Gentlemen:

The undersigned, as Bidder, declares that this Bid is made in good faith, without fraud or collusion with any person or persons bidding on the same Contract; that this Bidder has carefully read and examined the bid documents, including City Nondiscrimination requirements, Vendor Conflict of Interest Form, Instructions to Bidders, Bid Forms, Purchase Order Terms and Conditions, General Conditions, Detailed Specifications, and all Addenda, and understands them. The Bidder declares that it conducted a full investigation of the work proposed and is fully informed as to the nature of the work and the conditions relating to the work's performance.

The Bidder acknowledges that it has not received or relied upon any representations or warranties of any nature whatsoever from the City of Ann Arbor, its agents or employees, and that this Bid is based solely upon the Bidder's own independent business judgment.

In accordance with these bid documents, and Addenda numbered _____, the undersigned, as Bidder, proposes to deliver to the City all product/services herein described for the amounts set forth in the Bid Forms.

The Bidder declares that it has become fully familiar with the liquidated damage clauses for completion times and for compliance with City Code Chapter 112, understands and agrees that the liquidated damages are for the non-quantifiable aspects of non-compliance and do not cover actual damages that may be shown and agrees that if awarded the Contract, all liquidated damage clauses form part of the Contract.


Bidder further agrees that the cited provisions of Chapter 14 form a part of this Contract.

The Bidder declares that it has become familiar with the City Conflict of Interest Disclosure Form and certifies that the statement contained therein is true and correct.

In submitting this Bid, it is understood that the right is reserved by the City to accept any Bid, to reject any or all Bids, to waive irregularities and/or informalities in any Bid, and to make the award in any manner the City believes to be in its best interest.

SIGNED THIS 9 th DAY OF May, 2022.

Ferguson Waterworks
Bidder's Name


Authorized Signature of Bidder

24425 Schoenherr Rd. Warren, MI 48089
Official Address

David M. Hobson
(Print Name of Signer Above)

810 691-2823
Telephone Number

david.hobson@ferguson.com
Email Address for Award Notice

LEGAL STATUS OF BIDDER

(The Bidder shall fill out the appropriate form and strike out the other three.)

Bidder declares that it is:

* A corporation organized and doing business under the laws of the State of Michigan, for whom David M. Hobson, bearing the office title of Municipal Sales, whose signature is affixed to this Bid, is authorized to execute contracts.

NOTE: If not incorporated in Michigan, please attach the corporation's Certificate of Authority

• A limited liability company doing business under the laws of the State of _____, whom _____ bearing the title of _____ whose signature is affixed to this proposal, is authorized to execute contract on behalf of the LLC.

* A partnership, organized under the laws of the state of _____ and filed in the county of _____, whose members are (list all members and the street and mailing address of each) (attach separate sheet if necessary):

* An individual, whose signature with address, is affixed to this Bid: DH
(initial here)

Authorized Official

David M. Hobson Date May 5, 20122

(Print) Name David M. Hobson Title Municipal Sales

Company: Ferguson Waterworks

Address: 24425 Schoenherr Rd. Warren, MI 48089

Contact Phone (810) 691-2823 Fax () _____

Email david.hobson@ferguson.com

SPECIFICATIONS

UTILITY INFRASTRUCTURE MATERIALS

PART 1 – GENERAL

(NOT USED)

PART 2 – PRODUCTS

2.1 DUCTILE IRON PIPE AND FITTINGS

- A. Ductile iron pipe shall be push-on joint water main pipe meeting the requirements of ANSI/AWWA C151/A21.51 with double thickness cement mortar lining and asphaltic seal coat meeting ANSI/AWWA C104/A21.4 and coated outside with an asphaltic coating meeting ANSI/AWWA C151/A21.51. Pipe shall meet the thickness requirements of pressure class 350. Push-on joints shall be single gasket joints meeting AWWA specification C111. Pipe shall be manufactured by American, Clow, Griffin, or US Pipe and shipped complete with gasket.
- B. Ductile iron fittings shall meet the requirements of ANSI/AWWA C153/A21.53 for compact fittings or ANSI/AWWA C110/A21.10 for full body fittings. Fittings shall have an internal cement-mortar lining and asphaltic seal coat in accordance with in accordance with ANSI/AWWA C104/A21.4. The outside of all fittings shall have an asphaltic coating.
 - 1. Fittings shall be supplied complete with high strength, low alloy, blue colored, ceramic-filled fluorocarbon resin coated steel bolts and plain rubber mechanical joint gaskets.
- C. Restraint devices for mechanical joint fittings shall consist of multiple gripping wedges incorporated into a follower gland meeting the applicable requirements of ANSI/AWWA C110/A21.10. The devices shall have a working pressure rating of 350 psi for 3" to 16" and 250 psi for 18" through 48" size. Restraint devices shall be Listed by Underwriters Laboratories (3" through 24" inch size) and Approved by Factory Mutual (3" through 12" inch size). Mechanical joint restraint shall be Megalug Series 1100 produced by EBAA Iron Inc. or approved equal.

2.2 FIRE HYDRANTS

- A. Fire hydrants shall be EJ Watermaster 5BR250, bury depth as specified in the bid form, mechanical joint, traffic flange, open left, no barrel drain, a painted red finish, with one 3" National Standard hose connection and one 5" integral Storz connection, 1-3/8 inch pentagon operating and cap nuts shall be utilized (1-3/8 inch point-to-flat at top and 1-7/16 inch point-to-flat at base).
- B. All hydrant parts shall be manufactured by EJ.

2.3 GATE VALVES

- A. Resilient seated gate valves shall conform to the requirements of AWWA C509 or C515 and shall have an operator rated for buried service with 2 inch square opening nut, operating right. Gate valves shall be mechanical joint unless otherwise specified in the bid form. Mechanical joints shall meet the requirements of AWWA Specification C111. Gate valves shall be American Flow Control Series 2500, Mueller Series A-2360, EJ FlowMaster, U.S. Pipe A-USP2, Clow Model 2638/2639, or approved equal.

2.4 TAPPING SLEEVES

- A. Tapping sleeves shall be designed for water service with a minimum working pressure of 150 psi. Tapping sleeves shall be all stainless steel and conform to ANSI/AWWA C223. All tapping sleeves and valves must be certified by Underwriters Laboratory (UL) and the National Sanitation Foundation (NSF) for use in a potable water system. Tapping sleeves shall be Ford FTSS, JCM 432, Smith-Blair 663, or approved equal.

2.5 CURB BOXES

- A. Curb boxes shall be cast Iron Buffalo type, size 95E, screw type with 2.5" diameter shaft, two piece, with extension range 41" to 66". The word "WATER" shall be cast in raised letters on the lid. Curb boxes shall be domestic. Ship only completely assembled units, not separate components. Top half/lid & bottom half shall be screwed together and shipped as a complete unit.
- B. Curb box top half item shall include the curb box top half only. Curb box top halves shall be domestic 95E.
- C. Large curb box bases shall be enlarged for buffalo screw type curb boxes, sized to accommodate a 2" curb stop. Large base curb boxes shall be domestic.
- D. Curb box extensions for buffalo screw type curb box shall be only 9", 16", 28", and 30" domestic.
- E. Repair lids shall be old style outside repair lids for cast iron buffalo screw type curb box with 2.5" diameter shaft. The word "Water" shall be cast in raised letters on top surface of lid.

2.6 GATE BOXES

- A. Gate valve boxes shall be heavy duty three piece valve boxes with 5.25" diameter shaft, screw type, #6 base, and extension range from 45" to 66". The word "Water" shall be cast in raised letters on the lid. Quote only Domestic. Gate box complete shall consist of 1-Top section, 1-Bottom section, 1 - #6 Base, 1 - Drop lid.
- B. Gate box extensions shall be heavy duty domestic, 14", 18" and 24".
- C. Gate box fixed risers shall be heavy duty 5-1/4" x 2-14" slip in risers for domestic valve boxes.
- D. Gate box adjustable risers shall be heavy duty screw type domestic.

2.7 EXTENDED RANGE COUPLING

- A. Extended range ductile iron couplings shall be designed for 250 psi working pressure with a ductile iron center ring, ductile iron end rings, SBR rubber gaskets and 304 stainless steel nuts and bolts. Shop coat shall be applied to cast parts for corrosion protection. Coupling shall be Romac XR501 extended range coupling or approved equal.

2.8 BRASS FITTINGS

- A. All fittings shall meet the lead-free requirements of the Safe Drinking Water Act.
- B. Straight couplings shall be A.Y. McDonald Model 74755F or equivalent manufactured by Ford or Mueller.
- C. Two part unions shall be copper flare nut by female copper flare thread, A.Y. McDonald Model 74756 or equivalent manufactured by Ford or Mueller.
- D. Tees shall be flare x flare x flare, AY McDonald Model 74760 or equivalent manufactured by Ford or Mueller.
- E. Quarter bends shall be flare x flare, A.Y. McDonald Model 74761 or equivalent manufactured by Ford or Mueller.
- F. Corporations shall be AWWA (CC) x copper flare, A.Y. McDonald Model 74701 or equivalent manufactured by Ford or Mueller.
- G. Saddles shall be brass double strap tapping saddle with 1.5" AWWA taper thread tap for ductile iron water main, Ford 202B, Smith-Blair 323, Mueller BR-2-B, or approved equal.
- H. Curbs stops shall be ball valve, full port, copper flare nut by copper flare nut. Quote only McDonald 76100 or equivalent manufactured by Ford.
- I. Straight copper flare x female copper flare (Piggy Back Nut) couplings shall be A.Y. McDonald Model 74755 or equivalent manufactured by Ford or Mueller.

2.9 WATER METER ACCESSORIES

- A. Meter horns shall be Ford CHSS-244-NL for ¾" x 1" x 1" meter horns, and Ford CHSS-444-NL for 1" x 1" x 1" meter horns, or equivalent models manufactured by A.Y. McDonald or Mueller.
- B. Tandem resetters shall be Ford Resetter-2A-NL, or equivalent models manufactured by A.Y. McDonald or Mueller.
- C. Meter flanges shall be Dake 2030-LF for 1-1/2" flanges and Dake 2035-LF for 2" flanges, or equivalent models manufactured by Ford, A.Y. McDonald, Mueller, or Grand Haven Meter Coupling.
- D. Meter adapters shall be Ford A12M, or equivalent models manufactured by A.Y. McDonald or Mueller.
- E. Pressure reducing valves shall be Watts model LF5B-Z3.
- F. Reduced pressure zone assemblies shall be Zurn/Wilkins Model 375XL, or approved equal.

2.10 CASTINGS

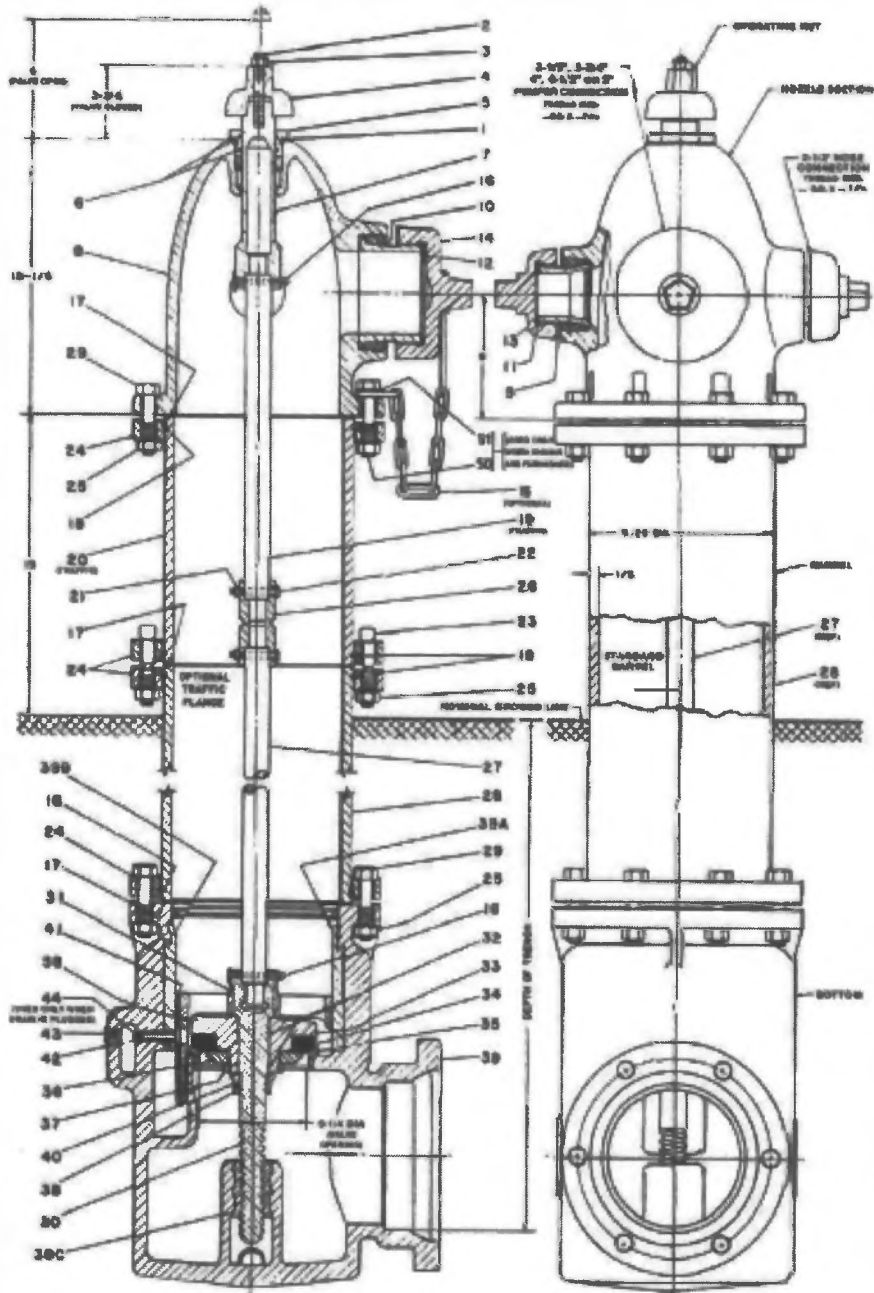
- A. Castings shall be as specified on the bid form.
- B. Manhole covers for sanitary sewer shall have the word "SEWER" cast in the surface, castings for water shall have the word "WATER" cast into the surface, and castings for storm sewer shall have the word "STORM" cast into the surface.

- C. All castings shall have a black asphaltic coating.
- D. All catch basin and curb inlet castings shall have a trout symbol with the wording "DUMP NO WASTE, DRAINS TO WATERWAYS" cast into the surface.

2.11 TRAVERSE CITY FIRE HYDRANT PARTS

- A. Reference the diagram below for part locations. Part reference number is included in the description on the bid form if applicable.

Traverse City Hydrant Parts Diagram



2.12 STAINLESS STEEL REPAIR CLAMPS

- A. Stainless steel repair clams shall be ROMAC or equivalent models manufactured by JCM.

BID FORM

VENDOR NAME: Ferguson Waterworks

Project: ITB 4715 – 2022 Utility Infrastructure Materials

1. Quantities are only estimates and not guaranteed. Where an estimated quantity of zero (0) is identified, provide a unit price for the material, but do not include in the total bid price.
2. The pricing provided under this ITB shall be firm for one (1) year from the date of City Council approval, which is anticipated in June 2022. If there is a required price increase for any or all groups prior to the one (1) year price expiration, append information detailing the proposed price increases.
3. Bidders may elect to bid on individual bid groups or the entire bid package. For a bid group to be deemed complete, the bidder must provide pricing on all items within the group. The City, at its sole discretion, may elect to award individual bid groups to separate bidders, or award all bid groups to one bidder.
4. Each bid group includes a line item for the purchase of unlisted parts of a similar nature or type. The bidder must provide the percent discount from the Manufacturer's list price for items that are similar to those identified in the bid group, such as an unlisted size or alternate material. As manufacturer list prices change, the net price to the City will automatically change.

GROUP 1: DUCTILE IRON FITTINGS							
(Individual fittings shall be provided with accessory packs including standard MJ glands, Cor-Blue bolts and plain rubber gaskets.)							
ITEM	MATERIAL UID	DESCRIPTION	UNIT	ESTIMATED QUANTITY	UNIT COST	TOTAL COST	BRAND QUOTED
1	BEND_04X22.5	BEND, 4" 22 1/2 DEGREE MJ	EA	2			Tyler Union
2	BEND_12x22.5	BEND, 12" 22 1/2 DEGREE MJ	EA	1			Tyler Union
3	BEND_16x22.5	BEND, 16" 22 1/2 DEGREE MJ	EA	1			Tyler Union
4	BEND_20x22.5	BEND, 20" 22 1/2 DEGREE MJ	EA	1			Tyler Union
5	BEND_08x45	BEND, 8" 45 DEGREE MJ	EA	4			Tyler Union
6	BEND_12X45	BEND, 12" 45 DEGREE MJ	EA	4			Tyler Union
7	BEND_16X45	BEND, 16" 45 DEGREE MJ	EA	4			Tyler Union
8	TEE_04	TEE, 4", MJ	EA	2			Tyler Union

9	TEE_06	TEE, 6", MJ	EA	6			Tyler Union
10	TEE_08	TEE, 8", MJ	EA	2			
11	TEE_12	TEE, 12", MJ	EA	2			
12	TEE_06X04	TEE, 6" x 4", MJ	EA	2			
13	TEE_08X06	TEE, 8" x 6", MJ	EA	2			
14	TEE_12X04	TEE, 12" x 4", MJ	EA	2			
15	TEE_12X06	TEE, 12" x 6", MJ	EA	8			
16	PLGS_04	PLUG, 4" MJ	EA	2			
17	PLGS_06	PLUG, 6" MJ	EA	2			
18	PLGS_08	PLUG, 8" MJ	EA	2			
19	PLGS_12	PLUG, 12" MJ	EA	2			
20	NA	PLUG, 16" MJ	EA	2			
21	NA	REDUCER, 4" X 3", MJ x MJ	EA	2			
22	REDUCER_06X04	REDUCER, 6" X 4", MJ x MJ	EA	2			
23	REDUCER_08X06	REDUCER, 8" X 6", MJ x MJ	EA	2			
24	REDUCER_12X06	REDUCER, 12" X 6", MJ x MJ	EA	2			
25	REDUCER_12X10	REDUCER, 12" X 10", MJLEB x PE	EA	2			
26	REDUCER_16X12	REDUCER, 16" X 12", MJ x MJ	EA	2			
27	NA	REDUCER, 20" X 12", PE x MJSEB	EA	2			
28	CPS_04	CAP, 4" MJ	EA	2			
29	CPS_06	CAP, 6" MJ	EA	2			
30	CPS_08	CAP, 8" MJ	EA	2			
31	NA	CAP, 10" MJ	EA	2			
32	NA	CAP, 12" MJ	EA	2			
33	NA	SLEEVE, SOLID 4"x12" DUAL PURPOSE	EA	8			
34	SLEEVE_06LP_DUO	SLEEVE, SOLID 6"x12" DUAL PURPOSE	EA	8			
35	SLEEVE_08SP_DUO	SLEEVE, SOLID 8"x12" DUAL PURPOSE	EA	24			
36	SLEEVE_10LP_DUO	SLEEVE, SOLID 10"x12" DUAL PURPOSE	EA	8			
37	SLEEVE_12LP_DUO	SLEEVE, SOLID 12"x12" DUAL PURPOSE	EA	8			

38	SLEEVE_14LP_DUO	DUO SLEEVE, 14" LP	EA	2				Tyler Union
39	SLEEVE_16LP_DUO	DUO SLEEVE, 16" LP	EA	2				
40	SLEEVE_20LP_DUO	DUO SLEEVE, 20" LP	EA	2				
41	SLEEVE_24LP_DUO	DUO SLEEVE, 24" LP	EA	2				
42	SLEEVE_04SP	SLEEVE, SOLID 4" MJ SHORT	EA	8				
43	SLEEVE_04LP	SLEEVE, SOLID 4" MJ LONG	EA	8				
44	SLEEVE_04SP	SLEEVE, SOLID 4" MJ SHORT	EA	2				
45	SLEEVE_06SP	SLEEVE, SOLID 6" MJ SHORT	EA	8				
46	SLEEVE_06LP	SLEEVE, SOLID 6" MJ LONG	EA	8				
47	SLEEVE_08SP	SLEEVE, SOLID 8" MJ SHORT	EA	8				
48	SLEEVE_08LP	SLEEVE, SOLID 8" DI MJ LONG	EA	8				
49	SLEEVE_10SP	SLEEVE, SOLID 10" MJ SHORT	EA	2				
50	SLEEVE_10LP	SLEEVE, SOLID 10" MJ LONG	EA	2				
51	SLEEVE_12LP	SLEEVE, SOLID 12" MJ SHORT	EA	8				
52	SLEEVE_12SP	SLEEVE, SOLID 12" MJ LONG	EA	8				
53	NA	SLEEVE, SOLID 14" MJ SHORT	EA	2				
54	SLEEVE_14LP	SLEEVE, SOLID 14" MJ LONG	EA	2				
55	SLEEVE_16SP	SLEEVE, SOLID 16" MJ SHORT	EA	2				
56	SLEEVE_16LP	SLEEVE, SOLID 16" MJ LONG	EA	2				
57	SLEEVE_20SP	SLEEVE, SOLID 20" MJ SHORT	EA	2				
58	SLEEVE_20LP	SLEEVE, SOLID 20" MJ LONG	EA	2				
59	SLEEVE_24SP	SLEEVE, SOLID 24" MJ SHORT	EA	2				
60	SLEEVE_24LP	SLEEVE, SOLID 24" MJ LONG	EA	2				
61	NA	SLEEVE, SOLID 30" MJ SHORT	EA	2				

Unlisted Ductile Iron Fittings Percent Discount from List Price	10 %		GROUP 1 SUBTOTAL
--	------	--	------------------

GROUP 2: DUCTILE IRON MECHANICAL JOINT RESTRAINT GLANDS							
(Individual Mechanical Joint Restraint Glands to be provided with Cor-Blue bolts and plain rubber gasket.)							
ITEM	MATERIAL UID	DESCRIPTION	UNIT	ESTIMATED QUANTITY	UNIT COST	TOTAL COST	BRAND QUOTED
62	MEG_03	MEGALUG 3"	EA	2	40.475	80.95	Ebaa
63	MEG_04	GLAND, 4" MJ JOINT RESTRAINT	EA	24	69.075	1,657.80	
64	MEG_06	GLAND, 6" MJ JOINT RESTRAINT	EA	48	89.82	4,311.36	
65	MEG_08	GLAND, 8" MJ JOINT RESTRAINT	EA	24	107.445	2,578.68	
66	MEG_10	GLAND, 10" MJ JOINT RESTRAINT	EA	2	149.86	299.72	
67	MEG_12	GLAND, 12" MJ JOINT RESTRAINT	EA	4	189.15	756.60	
68	MEG_14	MEGALUG 14"	EA	2	193.945	387.89	
69	MEG_16	GLAND, 16" MJ JOINT RESTRAINT	EA	2	254.365	401.59	
70	MEG_20	GLAND, 20" MJ JOINT RESTRAINT	EA	2	436.545	873.09	
Unlisted Mechanical Joint Restraint Glands Percent Discount from List Price						GROUP 2 SUBTOTAL	11,347.68
						30	%

GROUP 3: DUCTILE IRON PIPE						
(Ductile Iron Pipe shall be provided in nominal 18-foot laying length sections. Quantity is for individual pipe sections.)						
ITEM	MATERIAL UID	DESCRIPTION	UNIT	ESTIMATED QUANTITY	UNIT COST	TOTAL COST
71	PIPE_DI_04	PIPE, DUCTILE IRON 4"	L_Ft	108	50.00	5400.00
72	PIPE_DI_06	PIPE, DUCTILE IRON 6"	L_Ft	360	34.00	12240.00
73	PIPE_DI_08	PIPE, DUCTILE IRON 8"	L_Ft	216	42.00	3654.00
74	PIPE_DI_10	PIPE, DUCTILE IRON 10"	L_Ft	36	50.00	1800.00
75	PIPE_DI_12	PIPE, DUCTILE IRON 12"	L_Ft	72	70.00	5040.00
76	PIPE_DI_14	PIPE, DUCTILE IRON 14"	L_Ft	36	90.00	3240.00
77	PIPE_DI_16	PIPE, DUCTILE IRON 16"	L_Ft	36	114.00	4104.00
78	PIPE_DI_20	PIPE, DUCTILE IRON 20"	L_Ft	36	157.00	5652.00
79	PIPE_DI_24	PIPE, DUCTILE IRON 24"	L_Ft	36	211.00	7596.00
80	PIPE_DI_30	PIPE, DUCTILE IRON 30"	L_Ft	36	320.00	11520.00
81	NA	8MIL Black Polyethylene Encasement - "Poly Wrap" ANSI/AWWA C105/A21.5 Standard Dia 12"-14", 30" lay flat"	L_Ft	500		
					192.00	192.00
Unlisted Ductile Iron Pipe Percent Discount from List Price					0	%
					GROUP 3 SUBTOTAL	60,438.00

GROUP 4: FIRE HYDRANTS

ITEM	MATERIAL UID	DESCRIPTION	UNIT	ESTIMATED QUANTITY	UNIT COST	TOTAL COST	BRAND QUOTED
82	EJ_SEATING_VALVE	EJ_SEATING_VALVE - 6 BR 22	EA	18	65.725	1183.05	EJ Inc.
83	EJ_WM_05.5	EJ 5BR250 FIRE HYDRANT, 5.5' BURY	EA	20	3108.639	62172.78	
84	EJ_WM_06	EJ 5BR250 FIRE HYDRANT, 6' BURY	EA	12	3166.468	37997.62	
85	EJ_EXT_SHA_06	EJ 6" HYDRANT EXTENSION, SHAFT ONLY	EA	24	49.89	1197.36	
86	EJ_EXT_SHA_12	EJ 12" HYDRANT EXTENSION, SHAFT ONLY	EA	24	49.395	1185.48	
87	NA	EJ 6BR 6" HYDRANT EXTENSION KIT	EA	12	428.923	5147.08	
88	NA	EJ 6BR 12" HYDRANT EXTENSION KIT	EA	12	524.330	6291.96	
89	EJ_EXT_KIT_12	EJ 5BR250 12" HYDRANT EXTENSION KIT	EA	30	580.352	17410.56	
90	EJ_EXT_KIT_06	EJ 5BR250 6" HYDRANT EXTENSION KIT	EA	12	484.945	5819.34	
91	EJ_06_BR_CHATTER_KIT	EJ 6BR CONVERSION CHATTER KIT	EA	24	788.787	18930.89	
92	EJ_5BR250_CONV_06	EJ 5BR CONVERSION KIT FOR TRAVERSE CITY HYDRANT	EA	24	3726.170	89428.08	
93	EJ_REPAIR_KIT_BLACK	EJ 5BR250 BRK FLG REPAIR KIT, BLACK #00946447	EA	48	133.78	6421.44	
94	EJ_REPAIR_KIT_RED	EJ BR BRK FLG REPAIR KIT, RED #00946345	EA	48	167.549	8042.35	
95	NA	EJ 6BR VALVE SEAT	EA	24	135.022	3240.53	
96	NA	EJ 6BR VALVE SEAT O RINGS	EA	24	12.314	295.54	
97	NA	EJ 6BR DRIP SHUT OFF	EA	24	93.44	2242.56	
98	NA	EJ 6BR VALVE WASHER	EA	24	22.308	535.39	
99	NA	EJ 5BR250 VALVE SEAT	EA	24	58.297	1399.13	
100	NA	EJ 5BR VALVE SEAT O RINGS	EA	24	8.50	204.00	
101	EJ_2.5_NOZZLE_LOCK	EJ 2.5" HOSE NOZZLE (LOCK-IN TYPE) - 946014	EA	24	52.132	1251.17	

102	EJ_LOW_STEM_5.5FT	EJ, LOWER OPER STEM FOR 5.5ft HYD-EJIW PART 946729	EA	24	96.473	2315.35	EJ Inc.
103	EJ_LOW_STEM_5FT	EJ, LOWER STEM 5FT	EA	12	91.363	1096.36	
104	EJ_LOW_STEM_6.5FT	EJ, LOWER OPER STEM FOR 6.5 ft HYD - EJIW CAT #12-B	EA	12	104.714	1256.57	
105	EJ_OPERATING_NUT	EJ, OPERATING NUT - BR7-C BR7-D	EA	24	106.714	2561.14	
106	EJ_TOP_STEM_21.5IN	EJ, TOP OPERATING STEM, 21.5" - EJIW PART 946740	EA	24	88.593	2126.23	
107	EJ_DRIP_SHUT_OFF_B R5	EJ 5BR DRIP SHUT OFF	EA	24	131.56	3157.44	
108	NA	EJ 5BR VALVE WASHER	EA	24	33.143	795.43	
109	NA	HARRINGTON 4" STORZ NOZZLE CAP F/4-1/2" PORT	EA	24	322.802	7747.25	
Unlisted Fire Hydrant Parts Discount from List Price					0	%	
					GROUP 4 SUBTOTAL		291,452.08

GROUP 5: GATE VALVES AND TAPPING SLEEVES							
(Individual gate valves shall be provided with accessories packs including standard MJ glands, Cor-Blue bolts and plain rubber gaskets.)							
ITEM	MATERIAL UID	DESCRIPTION	UNIT	ESTIMATED QUANTITY	UNIT COST	TOTAL COST	BRAND QUOTED
110	RWV_03_Bypass	GATE VALVE, 3" F-F (FOR BYPASS)	EA	2	588.455	1176.91	EJ Inc.
111	RWV_03	GATE VALVE, 3" MJ	EA	2	665.535	1331.07	
112	RWV_04	GATE VALVE, 4" MJ	EA	8	759.906	6079.25	
113	RWV_06	GATE VALVE, 6" MJ	EA	72	917.073	66029.26	
114	RWV_08	GATE VALVE, 8" MJ	EA	48	1392.902	100288.94	
115	NA	GATE VALVE, 8" MJ x TAP	EA	24	1764.386	84690.53	
116	RWV_10	GATE VALVE, 10" MJ	EA	2	2139.83	4279.66	
117	RWV_12	GATE VALVE, 12" MJ	EA	12	2663.483	31961.80	
118	RWV_14	GATE VALVE, 14" MJ	EA	2	3931.61	7863.22	
119	RWV_16	GATE VALVE, 16" MJ	EA	8	8388.96	67111.68	
120	RWV_20	GATE VALVE, 20" MJ	EA	2	19876.73	39753.46	
121	NA	STAINLESS TAPPING SLEEVE, 12"X12"X8"	EA	2	2267.555	4535.11	
122	NA	STAINLESS TAPPING SLEEVE, 16"X16"X8"	EA	2	2499.595	4999.19	
123	NA	STAINLESS TAPPING SLEEVE, 20"X20"X8"	EA	2	2725.34	5450.68	
124	OPN01	2" AD OP Nut F/4"-12" 500 & amp; 2500 Series Gate Valves	EA	400	87.00	34800.00	American Darling
Unlisted Gate Valves Percent Discount from List Price					%	GROUP 5 SUBTOTAL	432,800.36

GROUP 6: CURB AND GATE BOXES

ITEM	MATERIAL UID	DESCRIPTION	UNIT	ESTIMATED QUANTITY	UNIT COST	TOTAL COST	BRAND QUOTED
125	C_COMPLETE	CURB BOX, COMPLETE	EA	1	145.00	145.00	Tyler Union
126	C_TOP_HALF	CURB BOX, TOP HALF W/ LID	EA	600	94.00	56400.00	
127	C_BOX_BOTTOM_HALF	CURB BOX BOTTOM HALF	EA	600	54.00	32400.00	
128	C_L_BASE	CURB BOX, LARGE BASE (BIGFOOT)	EA	150	24.00	3600.00	
129	C_9_EXIT	CURB BOX EXTENSION, 9"	EA	200	21.00	4200.00	
130	C_16_EXIT	CURB BOX EXTENSION, 16"	EA	200	30.00	6000.00	
131	C_REPAIR_LID	CURB BOX REPAIR LID	EA	1000	21.00	21000.00	
132	NA	GATE BOX, COMPLETE	EA				
133	G_TOP_HALF	GATE BOX TOP 1/2, WITH NO LID	EA	400	114.00	45600.00	
134	G_14_EXT	GATE BOX EXTENSION, 14"	EA	50	70.00	3500.00	
135	G_18_20_EXT	GATE BOX EXTENSION, 18" & 20"	EA	50	84.00	4200.00	
136	G_REG_BASE	GATE BOX REGULAR BASE (#6)	EA	100	96.00	9600.00	
137	G_SMALL_BASE	GATE BOX SMALL BASE (#4)	EA	300	63.00	18900.00	
138	NA	GATE BOX FIXED RISER	EA	2	NO BID		
139	G_CHEATER	GATE BOX ADJUSTABLE RISER	EA	2	NO BID		
140	G_LID	GATE BOX LID	EA	500	20.00	10000.00	
141	G_BOTTOM_HALF	GATE BOX BOTTOM HALF - EJVW 85606030	EA	400	88.00	35200.00	
142		Placeholder					
Unlisted Curb and Gate Boxes Percent Discount from List Price						GROUP 6 SUBTOTAL	250,745.00

GROUP 7: EXTENDED RANGE COUPLINGS									
ITEM	MATERIAL UID	DESCRIPTION	UNIT	ESTIMATED QUANTITY	UNIT COST	TOTAL COST	BRAND QUOTED		
143	COUP_03	Extended range coupler 3"	EA	2	174.00	348.00	JCM		
144	COUP_04	4" EXTENDED RANGE COUPLING	EA	20	232.00	4640.00			
145	COUP_06	6" EXTENDED RANGE COUPLING	EA	60	310.00	18600.00			
146	COUP_08	8" EXTENDED RANGE COUPLING	EA	40	375.00	15000.00			
147	COUP_10	10" EXTENDED RANGE COUPLING	EA	2	463.00	926.00			
148	COUP_12	12" EXTENDED RANGE COUPLING	EA	24	538.00	12912.00			
149	COUP_14	Extended Range Coupler 14"	EA	4	1043.00	4172.00			
150	COUP_16	Extended Range Coupler 16"	EA	4	1103.00	4412.00			
Unlisted Extended Range Couplings Percent Discount from List Price						GROUP 7 SUBTOTAL	61,010.00		

GROUP 8: PRECAST CATCHBASIN/MANHOLE STRUCTURES - ASTM C-478							
ITEM	MATERIAL UID	DESCRIPTION	UNIT	ESTIMATED QUANTITY	UNIT COST	TOTAL COST	BRAND QUOTED
151	SINLETS023	PRECAST SUMP – 24" ID X 24" H	EA	6			No Bid
152	SINLETS046	PRECAST SUMP – 48" OD X 36" ID X 32" H	EA	6			
153	SINLETS047	MANHOLE – 36" OD x 24" ID X 55" H/W/ 6" AND 12" TAP TO ORDER	EA	6			
154	SINLETS048	ROUND SLAB, 5' X 8' W/36"X24" OPENING CENTERED	EA	6			
155		Placeholder	EA				
Unlisted Percent Discount from List Price						GROUP 8 SUBTOTAL	No Bid

GROUP 9: BRASS FITTINGS

ITEM	MATERIAL UID	DESCRIPTION	UNIT	ESTIMATED QUANTITY	UNIT COST	TOTAL COST	BRAND QUOTED
156	CORP_0.75X0.75	CORPORATION, 3/4"	EA	2	33.00	66.00	Ford Meter Box
157	CORP_0.75X01	CORPORATION, 3/4" X 1"	EA	600	40.00	24000.00	
158	CORP_01X01	CORPORATION, 1"	EA	300	50.00	15000.00	
159	NA	CORPORATION, 1" C-C X 1-1/4" FLR	EA	100	68.00	6800.00	
160	CORP_01.25X01.25	CORPORATION, 1-1/4"	EA	2	148.00	296.00	
161	CORP_01.5x01.5	CORPORATION, 1-1/2"	EA	48	152.00	7296.00	
162	CORP_01.5x02	CORPORATION, 1-1/2" C-C X 2" FLR	EA	100	211.00	21100.00	
163	CORP_02X02	CORPORATION, 2"	EA	24	266.00	6384.00	
164	SADDLE_04X01	SADDLE, 4" X 1"	EA	2	96.00	6384.00	
165	SADDLE_04X01.5	SADDLE, 4" X 1 1/2"	EA	2	111.00	222.00	
166	SADDLE_06X01.25	SADDLE, 6" X 1 1/4"	EA	2	128.00	256.00	
167	SADDLE_06X01.5	SADDLE, 6" X 1 1/2"	EA	4	128.00	512.00	
168	SADDLE_08X01.5	SADDLE, 8" X 1 1/2"	EA	4	146.00	584.00	
169	SADDLE_10X01.5	SADDLE, 10" X 1 1/2"	EA	2	189.00	378.00	
170	SADDLE_12X01.5	SADDLE, 12" X 1 1/2"	EA	70	224.00	15680.00	
171	SADDLE_12X02	SADDLE, 12" X 2"	EA	2	231.00	462.00	
172	SADDLE_16X01.5	SADDLE, 16" X 1 1/2"	EA	2	345.00	690.00	
173	SADDLE_20X01.5	SADDLE, 20" X 1 1/2"	EA	2	409.00	818.00	
174	STOP_.75	STOP, 3/4" C-C	EA	24	72.00	1728.00	
175	STOP_01	CURB STOP, 1" C-C	EA	400	99.00	39600.00	
176	STOP_01.25	CURB STOP, 1-1/4" C-C	EA	2	171.00	342.00	
177	STOP_01.5	CURB STOP, 1-1/2" C-C	EA	24	240.00	5760.00	
178	STOP_02	CURB STOP, 2" C-C	EA	48	394.00	18912.00	
179	CIPF_0.75	STRAIGHT COUPLING, 3/4" X 3/4" FNPT X FFLR	EA	48	12.00	576.300	
180	CIPF_01	STRAIGHT COUPLING, 1" X 1" FNPT X FFLR	EA	72	20.00	1440.00	
181	CIPF_01.25	STRAIGHT COUPLING, 1-1/4" X 1-1/4" FNPT X FFLR	EA	12	31.00	372.00	
182	CIPF_01.5	STRAIGHT COUPLING, 1-1/2" X 1-1/2" FNPT X FFLR	EA	48	43.00	2064.00	

183	NA	STRAIGHT COUPLING, 2" X 2" FNPT X FFLLR	EA	12	73.00	876.00
184	CCC_0.75	TWO-PART UNION, 3/4"	EA	24	17.00	408.00
185	CCC_01	TWO-PART UNION, 1"	EA	400	25.00	10000.00
186	CCC_01.25	TWO-PART UNION, 1-1/4"	EA	12	45.00	540.00
187	CCC_01.5	TWO-PART UNION, 1-1/2"	EA	24	65.00	1560.00
188	CCC_02	TWO-PART UNION, 2"	EA	48	114.00	5472.00
189	NA	1-1/2" TEE	EA	2	150.00	300.00
190	NA	2" TEE	EA	2	282.00	564.99
191	NA	1-1/2" QUARTER BEND (90)	EA	2	137.00	274.00
192	NA	2" QUARTER BEND (90)	EA	2	188.00	376.00
193	PPN_01X0.75	1" X 3/4" COPPER FLR X FFLLR (PIGGY BACK NUT)	EA	200	22.00	4400.00
194	PPN_01.5X01.25	1-1/2" X 1-1/4" COPPER FLR X FFLLR (PIGGY BACK NUT)	EA	48	75.00	3600.00
195	PPN_02X01.5	2" X 1-1/2" COPPER FLR X FFLLR (PIGGY BACK NUT)	EA	48	120.00	5760.00
196	NA	1-1/4" X 1-1/2" FFLLR X COPPER FLR	EA	48	NA	NA
197	PPN_01X01.25	PIGGYBACK NUT 1"X1-1/4"	EA	48	46.00	2208.00
198	PPN_01.25X01.5	PIGGYBACK NUT 1-1/2" x 1-1/4"	EA	48	75.00	3600.00
199	PPN_1.5X02	PIGGYBACK NUT 1-1/2" x 2"	EA	48	55.00	2640.00
200	PPN_01.25X01	PIGGYBACK NUT 1-1/2" x 1"	EA	48	65.00	3120.00
Unlisted Brass Fittings Percent Discount from List Price					30	%
					GROUP 9 SUBTOTAL	217,228.00

GROUP 10: WATER METER ACCESSORIES									
ITEM	MATERIAL UID	DESCRIPTION	UNIT	ESTIMATED QUANTITY	UNIT COST	TOTAL COST	BRAND QUOTED		
201	MT-MH-3.4	METER HORN, 3/4" X 1" X 1"	EA	150	80.00	12000.00	Ford Meter Box		
202	MT-MH-1	METER HORN, 1" X 1" X 1"	EA	300	128.00	38400.00			
203	WTRMTR3.4TANDEM	TANDEM RESETER, 3/4" X 3/4"	EA	5	215.00	1075.00			
204		Placeholder							
205		placeholder							
206	MT-FLG-1.5	1 1/2" Brass Meter Flanges	EA	60	46.00	2760.00			
207	MT-FLG-2	2" Brass Meter Flanges	EA	40	61.00	2440.00			
208	MTR ADAPTER 3/4	METER ADAPTER, 5/8" X 3/4", PAIR	PR	100	6.00	600.00			
209	NA	PRESSURE REDUCING VALVE, 3/4"	EA	1	No Bid		Watts		
210	NA	PRESSURE REDUCING VALVE, 1"	EA	1	No bid				
211	NA	PRESSURE REDUCING VALVE, 1-1/4"	EA	1	No bid				
212	NA	PRESSURE REDUCING VALVE, 1-1/2"	EA	1	No bid				
213	NA	PRESSURE REDUCING VALVE, 2"	EA	1	No bid				
214	RPZA-1	REDUCED PRESSURE ZONE ASSEMBLY, 1"	EA	1	No bid				
215	RPZA-2	REDUCED PRESSURE ZONE ASSEMBLY, 2"	EA	20	No bid				
Unlisted Water Meter Accessories									
Percent Discount from List Price					30	%			
						GROUP 10 SUBTOTAL	57,275.00		

GROUP 11: CASTINGS							
ITEM	MATERIAL UID	DESCRIPTION	UNIT	ESTIMATED QUANTITY	UNIT COST	TOTAL COST	BRAND QUOTED
216	NA	FRAME-INLET-EJIW - 7036ZRH	EA	30	612.00	18360.00	EJ Inc.
217	NA	FRAME-INLET-EJIW - 7036ZLH	EA	30	612.00	18360.00	
218	NA	GRATE-INLET-EJIW-7030T6	EA	60	153.00	9180.00	
219	NA	Grade Ring - MH - 24" ID x 1.25"h - Ladtech or equal	EA	1	28.00	28.00	
220	NA	Grade Ring - MH - 24" ID x 1.50"h - Ladtech or equal	EA	1	28.00	28.00	
221	NA	Grade Ring - MH - 24" ID x 2.0"h - Ladtech or equal	EA	1	63.00	63.00	
222	SINLETS017	FRAME-INLET-REC FLANGE- 32"X23.75" WIDTH - 5000Z - EJIW	EA	1	233.00	233.00	
223	SINLETS019	FRAME-INLET-RD FLANGE- 34"OD - EJIW - 5080	EA	1	308.00	308.00	
224	SINLETS020	Grate - Inlet - Rec 22.75"x17.75" - 5000 M2 EJIW	EA	1	169.00	169.00	
225	SINLETS021	Grate - Inlet - Beehive - 26" OD x 6"h - 1040 T2 EJIW	EA	1	216.00	216.00	
226	SINLETS022	GRATE-INLET-BEEHIVE-23" OD x 7"H - 1020 T2 - EJIW	EA	1	341.00	341.00	
227	SINLETS024	FRAME-INLET CURB-RD FLANGE - 7045KZ - EJIW	EA	1	375.00	375.00	
228	SINLETS025	BACK-INLET CURB-ROLLED CURB-7050 T1 - EJIW - 7050 Type 1	EA	1	145.00	145.00	
229	SINLETS026	GRATE-INLET CURB-7045M1	EA	1	177.00	177.00	
230	SINLETS029	GRATE-INLET CURB - NEENAH R-3249-F	EA	4	No bid		
231	SINLETS036	EJ 7060T1 CURB INLET HOOD	EA	2	155.00	310.00	
232	SINLETS037	GRATE-INLET-RD-FLAT-26" OD-1040 M1	EA	2	206.00	412.00	
233	SINLETS038	GRATE-INLET-OVAL-26" OD X 3.25"H-1040 TN - EJIW	EA	2	216.00	432.00	
234	SMANHOL016	Grade Ring - MH - 30" spec - 39.5"ODx29.75"IDx1.5" - Ladtech or equal	EA	2	37.00	74.00	

235	SMANHOL017	Grade Ring - MH - 30" spec - 39.5"ODx29.75"IDx2.25" - Ladtech or equal	EA	2	37.00	74.00	
236	SMANHOL018	Grade Ring - MH - 24" ID x 4.0" h - Ladtech or equal	EA	2	51.00	102.00	
237	SMANHOL020	FRAME/COVER ASSY-MH-BOLT DOWN-1045Z W/1040APT - EJIW	EA	2	550.00	1100.00	
238	SMANHOL021	FRAME/COVER ASSY-MH-BOLT DWN-1040Z W/1040APT - EJIW	EA	2	590.00	1180.00	
239	SMANHOL023	COVER-MH-26" OD-STORM-CITY ART-1040A - EJIW	EA	60	222.00	13320.00	
240	SMANHOL024	FRAME-MH-39"OD, 24" ID, 7"H-26OD CVR-1040 - EJIW	EA	70	310.00	21700.00	
241	SMANHOL026	COVER-MH-26" OD-SANITARY-CITY ART-1040A - EJIW	EA	10	266.00	2660.00	
242	SMANHOL027	COVER-MH-26" OD-SEWER-GENERIC-1040A - EJIW	EA	1	222.00	222.00	
243	SMANHOL028	COVER-MH-26" OD-WATER-CITY ART-1040A - EJIW	EA	1	222.00	222.00	
244	SMANHOL029	COVER-MH-26" OD-WATER-GENERIC-1040A - EJIW	EA	1	270.00	270.00	
245	SMANHOL030	FRAME-MH-36"OD, 24" ID, 4"H-26OD CVR-1046Z - EJIW	EA	1	270.00	270.00	
246	SMANHOL031	FRAME-MH-36", 24" ID-BOLT DOWN-1040Z - EJIW	EA	1	353.00	353.00	
247	SMANHOL032	COVER-MH-1000C - EJIW	EA	1	209.00	209.00	
248		Placeholder	EA				
249		Placeholder	EA				
250		Placeholder	EA				
251		Placeholder	EA				
252		Placeholder	EA				
253		Placeholder	EA				
254		Placeholder	EA				
Unlisted Castings Percent Discount from List Price						GROUP 11 SUBTOTAL	90,623.00