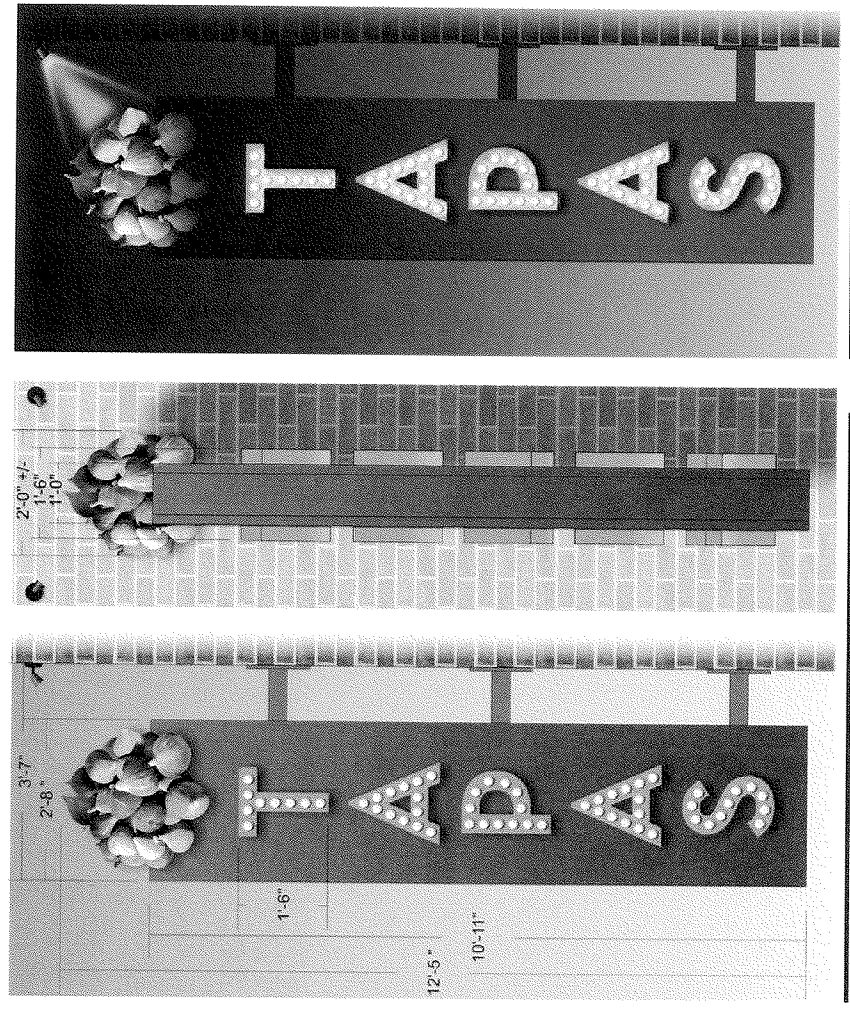


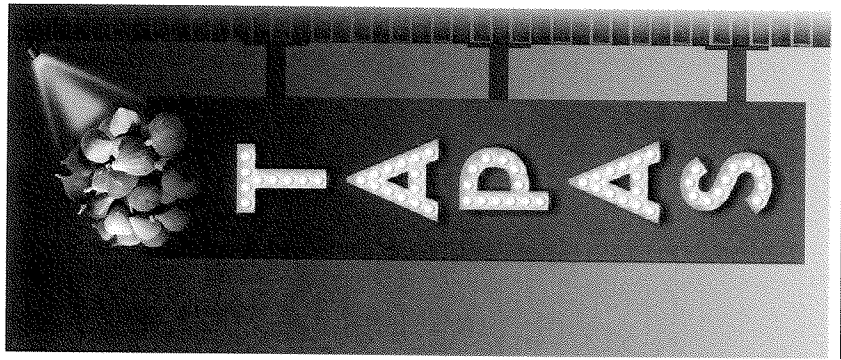
HURON SIGN
 663 S. MANSFIELD
 P.O. BOX 980493
 YPSILANTI, MI 48198
 PHONE 734-483-2000
 1-800-783-0100
 FAX 734-483-5164
 www.huronsgn.com



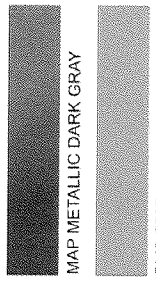
Custom Dimensional Projecting Sign



SCALE 1/2" = 1'



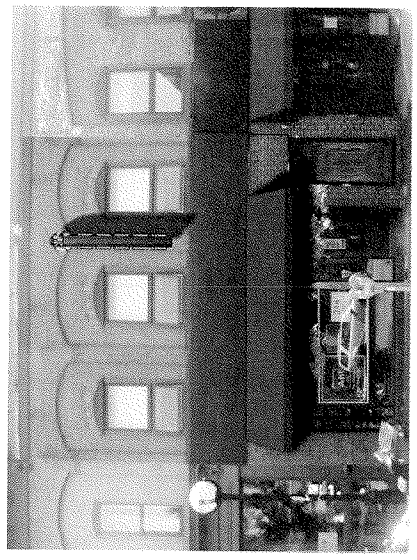
NIGHT SIMULATION



33.2 SQFT

INITIAL DESIGN CONCEPT:
 FABRICATED ALUMINUM PROJECTING
 SIGN WITH LED BULB LIT CHANNEL LETTERS
 AND CUSTOM CABINET WITH DIMENSIONAL
 CARVED FIGS WITH LOW VOLTAGE DIRECT
 LIGHTING

SIGN IS ATTACHED TO WALL WITH THRU
 BOLTS ALIGNED TO MORTAR JOINTS



APPROXIMATE SIZE & POSITION



ALL ELECTRICAL SIGNS TO
 Underwriters
 Laboratories, Inc.
 SUITABLE FOR WET LOCATIONS-
 IN ACCORDANCE WITH NEC 900
 ELECTRIC SIGN
 CERTIFIED MANUFACTURER

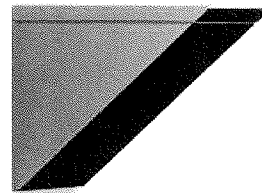
# OF SETS	1 DOUBLE SIDED	RETURN DEPTH	18" / 24" +/-	DESIGNER	S WILKIE
FACE COLOR	TBD	TYPE OF INSTALL	THROUGH BOLTS	DATE	06/12/13
RETURNS COLOR	TBD	TYPE OF FACE	ALUMINUM	JOB NO.	8720
RETAINER COLOR	N.A. (BLIND)	RACEWAY D.	H. L. N.A.	JOB NAME	TAPAS-8720-4
LED COLOR	WHITE	HOUSINGS N.A.		ADDRESS:	212 E. WASHINGTON ST. ANN ARBOR, MI
				SALESPERSON:	KEVIN SHORT

APPROVED BY: _____ **DATE:** _____
 THIS DRAWING IS THE PROPERTY OF HURON SIGN AND IS TO BE USED ONLY FOR THE PROJECT AND LOCATION SPECIFICALLY IDENTIFIED HEREIN. NO REPRODUCTION OR TRANSMISSION IN ANY FORM OR BY ANY MEANS, ELECTRONIC OR MECHANICAL, INCLUDING PHOTOCOPYING, RECORDING, OR BY ANY INFORMATION STORAGE AND RETRIEVAL SYSTEM, IS PERMITTED WITHOUT THE WRITTEN CONSENT OF HURON SIGN COMPANY.
 THIS DESIGN CONCEPT © COPYRIGHT 2013

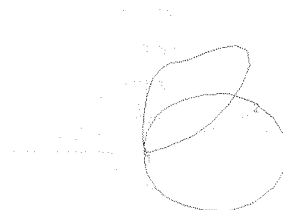
BEGA

Photometric Filename: 2434LED.ies

TEST: L06123207
 TEST LAB: LIGHT LABORATORY, INC.
 DATE: 6/21/2012
 LUMINAIRE: 2434LED
 LAMP: 52W LED



All results in accordance with IESNA LM-79-08

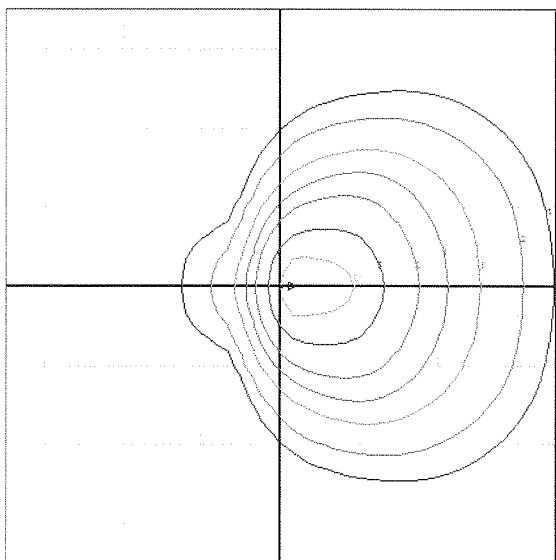


Characteristics

Lumens Per Lamp	N.A. (absolute)
Total Lamp Lumens	N.A. (absolute)
Luminaire Lumens	2982
Total Luminaire Efficiency	N.A.
Luminaire Efficacy Rating (LER)	54
Total Luminaire Watts	55.42
Ballast Factor	1.00
CIE Type	Indirect
Spacing Criterion (0-180)	N.A.
Spacing Criterion (90-270)	N.A.
Spacing Criterion (Diagonal)	N.A.
Basic Luminous Shape	Rectangular
Luminous Length (0-180)	0.56 ft
Luminous Width (90-270)	0.78 ft
Luminous Height	0.00 ft

Zonal Lumen Summary

Zone	Lumens
0-10	0.00
10-20	0.00
20-30	0.00
30-40	0.00
40-50	0.00
50-60	0.00
60-70	0.00
70-80	0.00
80-90	0.00
90-100	14.32
100-110	146.84
110-120	403.24
120-130	576.76
130-140	603.22
140-150	502.70
150-160	384.65
160-170	257.56
170-180	92.65



Mounting Height = 10 ft. Grid Spacing = 10 ft.

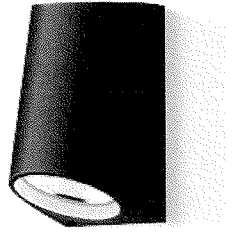
NOTE: Iso-template shows ceiling illumination

In the interest of product improvement, BEGA reserves the right to make technical changes without notice.

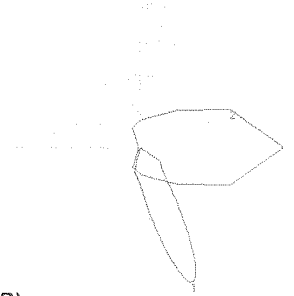
BEGA

Photometric Filename: 3540LED.ies

TEST: 20803
 TEST LAB: LUMINAIRE TESTING LABORATORY, INC.
 DATE: 9/22/2010
 LUMINAIRE: 3540LED
 LAMP: 3.2W LED



All results in accordance with IESNA LM-79-08



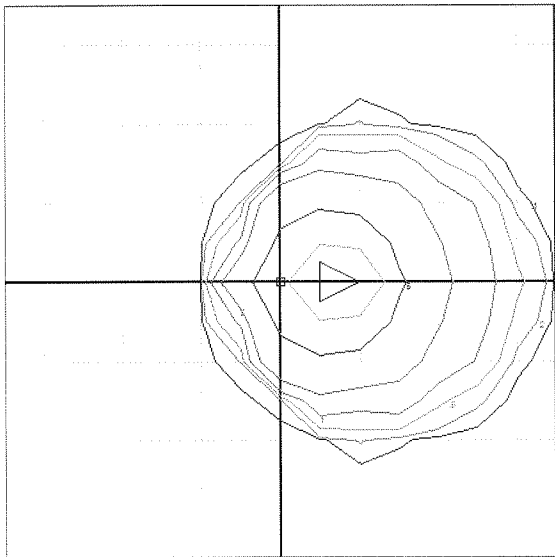
Characteristics

IES Classification	Type I
Longitudinal Classification	Very Short
Lumens Per Lamp	N.A. (absolute)
Total Lamp Lumens	N.A. (absolute)
Luminaire Lumens	172
Downward Total Efficiency	N.A.
Total Luminaire Efficiency	N.A.
Luminaire Efficacy Rating (LER)	44
Total Luminaire Watts	3.9
Ballast Factor	1.00
Upward Waste Light Ratio	0.00
Max. Cd.	481.7 (0H, 21V)
Max. Cd. (<90 Vert.)	481.7 (0H, 21V)
Max. Cd. (At 90 Deg. Vert.)	0 (0.0%Lum)
Max. Cd. (80 to <90 Deg. Vert.)	.7 (0.4%Lum)
Cutoff Classification (deprecated)	N.A. (absolute)

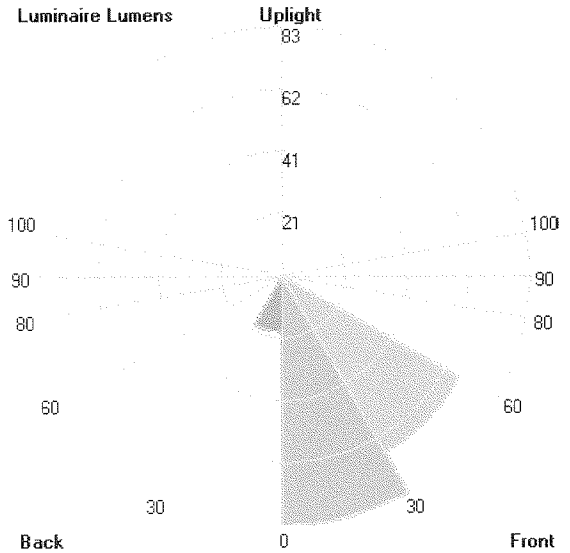
Lum. Classification System (LCS)

<u>LCS Zone</u>	<u>Lumens</u>	<u>%Lamp</u>	<u>%Lum</u>
FL (0-30)	82.9	N.A.	48.3
FM (30-60)	67.9	N.A.	39.6
FH (60-80)	1.1	N.A.	0.7
FVH(80-90)	< 0.05	N.A.	0.0
BL (0-30)	18.6	N.A.	10.9
BM (30-60)	1.1	N.A.	0.7
BH (60-80)	< 0.05	N.A.	0.0
BVH(80-90)	0.0	N.A.	0.0
UL (90-100)	0.0	N.A.	0.0
UH (100-180)	0.0	N.A.	0.0
Total	171.6	N.A.	100.0

BUG Rating B0-U0-G0



Mounting Height = 4 ft. Grid Spacing = 2 ft.



In the interest of product improvement, BEGA reserves the right to make technical changes without notice.