

CITY OF ANN ARBOR
INVITATION TO BID



2020 Utility Infrastructure Materials

ITB No. 4629

Due Date: May 20, 2020 at 10:00 A.M. (Local Time)

Public Services/Public Works

Issued By:

City of Ann Arbor
Procurement Unit
301 E. Huron Street
Ann Arbor, MI 48104

TABLE OF CONTENTS

INSTRUCTIONS TO BIDDERS	3
INVITATION TO BID	7
SPECIFICATIONS	9
BID FORM	14
GENERAL CONDITIONS	41

ATTACHMENTS

City of Ann Arbor Standard Purchase Order Terms and Conditions

City of Ann Arbor Vendor Conflict of Interest Disclosure Form

City of Ann Arbor Non-Discrimination Ordinance Declaration Form and Notice

INSTRUCTIONS TO BIDDERS

General

The City of Ann Arbor's Procurement Office is soliciting bids for the purchase of utility infrastructure materials based on the specifications provided herein. The pricing provided for this ITB shall be firm for two (2) years.

Any Bid which does not conform fully to these instructions may be rejected.

Preparation of Bids

Bids should be prepared providing a straight-forward, concise description of the Bidder's ability to meet the requirements of the ITB. Bids shall be written in ink or typewritten. No erasures are permitted. Mistakes may be crossed out and corrected and must be initialed and dated in ink by the person signing the Bid.

Bids must be submitted on the "Bid Forms" provided with each blank properly filled in. If forms are not fully completed it may disqualify the bid. No alternative bid will be considered unless alternative bids are specifically requested. If alternatives are requested, any deviation from the specification must be fully described, in detail on a clearly marked "Alternate" section of Bid form.

Each person signing the Bid certifies that he/she is the person in the Bidder's firm/organization responsible for the decision as to the fees being offered in the Bid and has not and will not participated in any action contrary to the terms of this provision.

Questions or Clarifications / Designated City Contacts

All questions regarding this ITB shall be submitted via email. Emailed questions and inquires will be accepted from any and all prospective Bidders in accordance with the terms and conditions of the ITB.

All questions shall be due on or before **May 11, 2020 @ 4:00 p.m.** and should be addressed as follows:

Specification/Scope of Work questions emailed to Paul Matthews, pmatthews@a2gov.org
Bid Process and Compliance questions emailed to Colin Spencer, CSpencer@a2gov.org

Any error, omissions or discrepancies in the specification discovered by a prospective contractor and/or service provider shall be brought to the attention of Colin Spencer at cspencer@a2gov.org after discovery as possible. Further, the contractor and/or service provider shall not be allowed to take advantage of errors, omissions or discrepancies in the specifications.

Addenda

If it becomes necessary to revise any part of the ITB, notice of the Addendum will be posted to Michigan Inter-governmental Trade Network (MITN) www.mitn.info and/or City of Ann Arbor web site www.A2gov.org for all parties to download.

Each Bidder must in its Bid, to avoid any miscommunications, acknowledge all addenda which it has received, but the failure of a Bidder to receive, or acknowledge receipt of; any addenda shall not relieve the Bidder of the responsibility for complying with the terms thereof.

The City will not be bound by oral responses to inquiries or written responses other than written addenda.

Bid Submission

All Bids are due and must be delivered to the City of Ann Arbor Procurement Unit on or before **May 20, 2020 at 10:00 a.m. (Local time)**. Bids submitted late or via oral, telephonic, telegraphic, electronic mail or facsimile **will not** be considered or accepted.

Each Bidder should submit one (1) original Bid and one (1) Bid copy in a sealed envelope clearly marked: ITB No. 4629 – 2020 Utility Infrastructure Materials.

Bids must be addressed and delivered to:

City of Ann Arbor
Procurement Unit,
c/o Customer Services, 1st Floor
301 East Huron Street
Ann Arbor, MI 48104

All Bids received on or before the Due Date will be publicly opened and recorded immediately. No immediate decisions are rendered.

The following forms provided within this ITB Document should be included in submitted bids.

- **Vendor Conflict of Interest Disclosure Form**
- **City of Ann Arbor Non-Discrimination Ordinance Declaration of Compliance**

Bids that fail to provide these forms listed above upon bid opening may be rejected as non-responsive and may not be considered for award.

Hand delivered bids may be dropped off in the Purchasing drop box located in the Ann Street (north) vestibule of City Hall. The City will not be liable to any Bidder for any unforeseen circumstances, delivery or postal delays. Postmarking to the Due Date will not substitute for receipt of the Bid. Each Bidder is responsible for submission of their Bid.

Additional time for submission of bids past the stated due date and time will not be granted to a single Bidder; however, additional time may be granted to all Bidders when the City determines in its sole discretion that circumstances warrant it.

Award

The City intends to award a Contract/Purchase Order to the lowest responsible Bidder(s) providing the best value to the City. The City may, at its sole discretion, award line-by-line in the best interest of value to the City.

Responsible bidder means a bid submitted, which conforms in all aspects of the requirements set forth in the invitation to bid. All aspects could include references, past experience, past performance, and qualifications.

Official Documents

The City of Ann Arbor officially distributes bid documents from the Procurement Unit or through the Michigan Intergovernmental Trade Network (MITN). Copies of the bid documents obtained from any other source are not Official copies. Addenda and other bid information will only be posted to these official distribution sites. If you obtained City of Ann Arbor Bid documents from other sources, it is recommended that you register on www.MITN.info and obtain an official Bid.

Taxes

Municipalities are exempt from Michigan State Sales and Federal Excise taxes. Do not include such taxes in the bid figure(s). The City will furnish the successful bidder with tax exemption certificates when requested.

Withdrawal of Bids

After the time of opening, no Bid may be withdrawn for the period of one-hundred and twenty (120) days.

Non-Discrimination Requirements

All contractors proposing to do business with the City shall satisfy the non-discrimination administrative policy adopted by the City Administrator in accordance with the Section 9:158 of the Ann Arbor City Code. Breach of the obligation not to discriminate shall be a material breach of the contract. Contractors are required to post a copy of Ann Arbor's Non-Discrimination Ordinance attached at all work locations where its employees provide services under a contract with the City.

Conflict Of Interest Disclosure

The City of Ann Arbor Purchasing Policy requires that prospective Vendors complete a Conflict of Interest Disclosure form. A contract may not be awarded to the selected Vendor unless and until the Procurement Unit and the City Administrator have reviewed the Disclosure form and determined that no conflict exists under applicable federal, state, or local law or administrative regulation. Not every relationship or situation disclosed on the Disclosure Form may be a disqualifying conflict. Depending on applicable law and regulations, some contracts may awarded on the recommendation of the City Administrator after full disclosure, where such action is allowed by law, if demonstrated competitive pricing exists and/or it is determined the award is in the best interest of the City. A copy of the Vendor Conflict of Interest Disclosure Form is attached.

Debarment

Submission of a Bid in response to this ITB is certification that the Bidder is not currently debarred, suspended, proposed for debarment, and declared ineligible or voluntarily excluded from participation in this transaction by any State or Federal departments or agency. Submission is also agreement that the City will be notified of any changes in this status.

Disclosures

After bids are opened, all information in a submitter's bid is subjected to disclosure under the provisions of Michigan Public Act No. 442 of 1976, as amended (MCL 15.231 et seq.) known as the "Freedom of Information Act." The Freedom of Information Act also provides for the complete disclosure of contracts and attachments thereto except where specifically exempted.

Bid Protest

All Bid protests must be in writing and filed with the Purchasing Agent within five (5) business days of the award action. The bidder must clearly state the reasons for the protest. If a bidder contacts a City Service Area/Unit and indicates a desire to protest an award, the Service Area/Unit shall refer the bidder to the Purchasing Agent. The Purchasing Agent will provide the bidder with the appropriate instructions for filing the protest. The protest shall be reviewed by the City Administrator or designee whose decision shall be final.

Any inquiries or requests regarding this procurement should be only submitted in writing to the Designated City Contacts provided herein. Attempts by the Offeror to initiate contact with anyone other than the Designated City Contacts provided herein that the prospective Offeror believes can influence the procurement decision, e.g., Elected Officials, City Administrator, Selection

Committee Members, Appointed Committee Members, etc., may lead to immediate elimination from further consideration.

Cost Liability

The City of Ann Arbor assumes no responsibility or liability for costs incurred by the Bidder prior to the execution of a contract with the City. By submitting a bid, a bidder agrees to bear all costs incurred or related to the preparation, submission and selection process for the bid.

Reservation of Rights

The City of Ann Arbor reserves the right to accept any bid or alternative bid proposed in whole or in part, to reject any or all bids or alternatives bids in whole or in part and to waive irregularity and/or informalities in any bid and to make the award in any manner deemed in the best interest of the City.

Environmental Commitment

The City of Ann Arbor recognizes its responsibility to minimize negative impacts on human health and the environment while supporting a vibrant community and economy. The City further recognizes that the products and services the City buys have inherent environmental and economic impacts and that the City should make procurement decisions that embody, promote, and encourage the City's commitment to the environment.

The City encourages potential vendors to bring forward emerging and progressive products and services that are best suited to the City's environmental principles.

INVITATION TO BID

City of Ann Arbor
Guy C. Larcom Municipal Building
Ann Arbor, Michigan 48107

Ladies and Gentlemen:

The undersigned, as Bidder, declares that this Bid is made in good faith, without fraud or collusion with any person or persons bidding on the same Contract; that this Bidder has carefully read and examined the bid documents, including City Nondiscrimination requirements, Vendor Conflict of Interest Form, Instructions to Bidders, Bid Forms, Purchase Order Terms and Conditions, General Conditions, Detailed Specifications, and all Addenda, and understands them. The Bidder declares that it conducted a full investigation of the work proposed and is fully informed as to the nature of the work and the conditions relating to the work's performance.

The Bidder acknowledges that it has not received or relied upon any representations or warrants of any nature whatsoever from the City of Ann Arbor, its agents or employees, and that this Bid is based solely upon the Bidder's own independent business judgment.

In accordance with these bid documents, and Addenda numbered _____, the undersigned, as Bidder, proposes to deliver to the City all product/services herein described for the amounts set forth in the Bid Forms.

The Bidder declares that it has become fully familiar with the liquidated damage clauses for completion times and for compliance with City Code Chapter 112, understands and agrees that the liquidated damages are for the non-quantifiable aspects of non-compliance and do not cover actual damages that may be shown and agrees that if awarded the Contract, all liquidated damage clauses form part of the Contract.

Bidder further agrees that the cited provisions of Chapter 14 form a part of this Contract.

The Bidder declares that it has become familiar with the City Conflict of Interest Disclosure Form and certifies that the statement contained therein is true and correct.


In submitting this Bid, it is understood that the right is reserved by the City to accept any Bid, to reject any or all Bids, to waive irregularities and/or informalities in any Bid, and to make the award in any manner the City believes to be in its best interest.

SIGNED THIS 14th DAY OF May, 2020.

EJ USA, Inc.
Bidder's Name

301 Spring Street, PO Box 439
East Jordan, MI 49727
Official Address

1-800-874-4100
Telephone Number


Authorized Signature of Bidder

Thomas M. Teske, VP & GM
(Print Name of Signer Above)

us.bids@ejco.com
Email Address for Award Notice

LEGAL STATUS OF BIDDER

(The Bidder shall fill out the appropriate form and strike out the other three.)

Bidder declares that it is:

* A corporation organized and doing business under the laws of the State of Michigan, for whom Thomas M Teske, bearing the office title of VP and GM, whose signature is affixed to this Bid, is authorized to execute contracts.

NOTE: If not incorporated in Michigan, please attach the corporation's Certificate of Authority

~~• A limited liability company doing business under the laws of the State of _____, whom _____ bearing the title of _____ whose signature is affixed to this proposal, is authorized to execute contract on behalf of the LLC.~~

~~* A partnership, organized under the laws of the state of _____ and filed in the county of _____, whose members are (list all members and the street and mailing address of each) (attach separate sheet if necessary):~~

* An individual, whose signature with address, is affixed to this Bid: _____ (initial here)

Authorized Official

Thomas M Teske Date May 14th, 2020

(Print) Name Thomas M Teske Title Vice President & General Manager

Company: EJ USA, Inc.

Address: 301 C Spring Street, PO Box 439, East Jordan, MI 49727

Contact Phone (800) 874-4100 Fax (231) 536-4458

Email us.bids@ejco.com

SPECIFICATIONS

UTILITY INFRASTRUCTURE MATERIALS

PART 1 – GENERAL

(NOT USED)

PART 2 – PRODUCTS

2.1 DUCTILE IRON PIPE AND FITTINGS

- A. Ductile iron pipe shall be push-on joint water main pipe meeting the requirements of ANSI/AWWA C151/A21.51 with double thickness cement mortar lining and asphaltic seal coat meeting ANSI/AWWA C104/A21.4 and coated outside with an asphaltic coating meeting ANSI/AWWA C151/A21.51. Pipe shall meet the thickness requirements of pressure class 350. Push-on joints shall be single gasket joints meeting AWWA specification C111. Pipe shall be manufactured by American, Clow, Griffin, or US Pipe and shipped complete with gasket.
- B. Ductile iron fittings shall meet the requirements of ANSI/AWWA C153/A21.53 for compact fittings or ANSI/AWWA C110/A21.10 for full body fittings. Fittings shall have an internal cement-mortar lining and asphaltic seal coat in accordance with in accordance with ANSI/AWWA C104/A21.4. The outside of all fittings shall have an asphaltic coating.
 - 1. Fittings shall be supplied complete with high strength, low alloy, blue colored, ceramic-filled fluorocarbon resin coated steel bolts and plain rubber mechanical joint gaskets.
- C. Restraint devices for mechanical joint fittings shall consist of multiple gripping wedges incorporated into a follower gland meeting the applicable requirements of ANSI/AWWA C110/A21.10. The devices shall have a working pressure rating of 350 psi for 3" to 16" and 250 psi for 18" through 48" size. Restraint devices shall be Listed by Underwriters Laboratories (3" through 24" inch size) and Approved by Factory Mutual (3" through 12" inch size). Mechanical joint restraint shall be Megalug Series 1100 produced by EBAA Iron Inc. or approved equal.

2.2 FIRE HYDRANTS

- A. Fire hydrants shall be EJ Watermaster 5BR250, bury depth as specified in the bid form, mechanical joint, traffic flange, open left, no barrel drain, a painted red finish, with two 2.5" National Standard hose connections, one 4" integral Storz connection, 1-3/8 inch pentagon operating and cap nuts shall be utilized (1-3/8 inch point-to-flat at top and 1-7/16 inch point-to-flat at base).
- B. All hydrant parts shall be manufactured by EJ.

2.3 GATE VALVES

- A. Resilient seated gate valves shall conform to the requirements of AWWA C509 or C515 and shall have an operator rated for buried service with 2 inch square opening nut, operating right. Gate valves shall be mechanical joint unless otherwise specified in the bid form. Mechanical joints shall meet the requirements of AWWA Specification C111. Gate valves shall be American Flow Control Series 2500, Mueller Series A-2360, EJ FlowMaster, U.S. Pipe A-USP2, Clow Model 2638/2639, or approved equal.

2.4 TAPPING SLEEVES

- A. Tapping sleeves shall be designed for water service with a minimum working pressure of 150 psi. Tapping sleeves shall be all stainless steel and conform to ANSI/AWWA C223. All tapping sleeves and valves must be certified by Underwriters Laboratory (UL) and the National Sanitation Foundation (NSF) for use in a potable water system. Tapping sleeves shall be Ford FTSS, JCM 432, Smith-Blair 663, or approved equal.

2.5 CURB BOXES

- A. Curb boxes shall be cast Iron Buffalo type, size 95E, screw type with 2.5" diameter shaft, two piece, with extension range 41" to 66". The word "WATER" shall be cast in raised letters on the lid. Curb boxes shall be domestic. Ship only completely assembled units, not separate components. Top half/lid & bottom half shall be screwed together and shipped as a complete unit.
- B. Curb box top half item shall include the curb box top half only. Curb box top halves shall be domestic 95E.
- C. Large curb box bases shall be enlarged for buffalo screw type curb boxes, sized to accommodate a 2" curb stop. Large base curb boxes shall be domestic.
- D. Curb box extensions for buffalo screw type curb box shall be only 9", 16", 28", and 30" domestic.
- E. Repair lids shall be old style outside repair lids for cast iron buffalo screw type curb box with 2.5" diameter shaft. The word "Water" shall be cast in raised letters on top surface of lid.

2.6 GATE BOXES

- A. Gate valve boxes shall be heavy duty three piece valve boxes with 5.25" diameter shaft, screw type, #6 base, and extension range from 45" to 66". The word "Water" shall be cast in raised letters on the lid. Quote only Domestic. Gate box complete shall consist of 1-Top section, 1-Bottom section, 1 - #6 Base, 1 - Drop lid.
- B. Gate box extensions shall be heavy duty domestic, 14", 18" and 24".
- C. Gate box fixed risers shall be heavy duty 5-1/4" x 2-14" slip in risers for domestic valve boxes.
- D. Gate box adjustable risers shall be heavy duty screw type domestic.

2.7 EXTENDED RANGE COUPLING

- A. Extended range ductile iron couplings shall be designed for 250 psi working pressure with a ductile iron center ring, ductile iron end rings, SBR rubber gaskets and 304 stainless steel nuts and bolts. Shop coat shall be applied to cast parts for corrosion protection. Coupling shall be Romac XR501 extended range coupling or approved equal.

2.8 COPPER PIPE

- A. Copper pipe shall be Type K and manufactured by Cambridge Lee, Cerro, Halstead, Mueller, or Wolverine.

2.9 BRASS FITTINGS

- A. All fittings shall meet the lead-free requirements of the Safe Drinking Water Act.
- B. Straight couplings shall be A.Y. McDonald Model 74755F or equivalent manufactured by Ford or Mueller.
- C. Two part unions shall be copper flare nut by female copper flare thread, A.Y. McDonald Model 74756 or equivalent manufactured by Ford or Mueller.
- D. Tees shall be flare x flare x flare, AY McDonald Model 74760 or equivalent manufactured by Ford or Mueller.
- E. Quarter bends shall be flare x flare, A.Y. McDonald Model 74761 or equivalent manufactured by Ford or Mueller.
- F. Corporations shall be AWWA (CC) x copper flare, A.Y. McDonald Model 74701 or equivalent manufactured by Ford or Mueller.
- G. Saddles shall be brass double strap tapping saddle with 1.5" AWWA taper thread tap for ductile iron water main, Ford 202B, Smith-Blair 323, Mueller BR-2-B, or approved equal.
- H. Curbs stops shall be ball valve, full port, copper flare nut by copper flare nut. Quote only McDonald 76100 or equivalent manufactured by Ford.
- I. Straight copper flare x female copper flare (Piggy Back Nut) couplings shall be A.Y. McDonald Model 74755 or equivalent manufactured by Ford or Mueller.

2.10 WATER METER ACCESSORIES

- A. Meter horns shall be Ford CHSS-244-NL for ¾" x 1" x 1" meter horns, and Ford CHSS-444-NL for 1" x 1" x 1" meter horns, or equivalent models manufactured by A.Y. McDonald or Mueller.
- B. Tandem resetters shall be Ford Resetter-2A-NL, or equivalent models manufactured by A.Y. McDonald or Mueller.
- C. Meter flanges shall be Dake 2030-LF for 1-1/2" flanges and Dake 2035-LF for 2" flanges, or equivalent models manufactured by Ford, A.Y. McDonald, Mueller, or Grand Haven Meter Coupling.
- D. Meter adapters shall be Ford A12M, or equivalent models manufactured by A.Y. McDonald or Mueller.
- E. Pressure reducing valves shall be Watts model LF5B-Z3.
- F. Reduced pressure zone assemblies shall be Zurn/Wilkins Model 375XL, or approved equal.

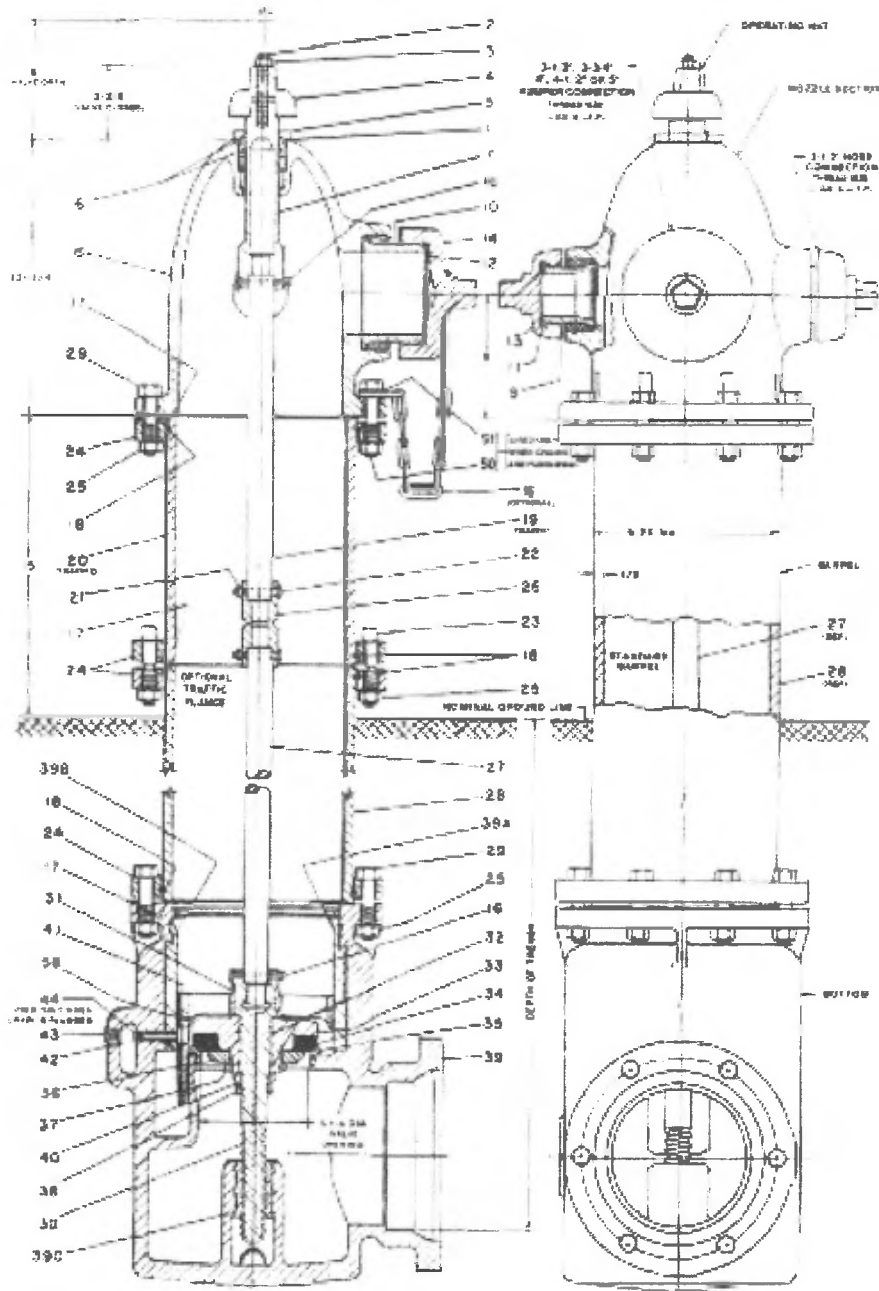
2.11 CASTINGS

- A. Castings shall be as specified on the bid form.
- B. Manhole covers for sanitary sewer shall have the word "SEWER" cast in the surface, castings for water shall have the word "WATER" cast into the surface, and castings for storm sewer shall have the word "STORM" cast into the surface.
- C. All castings shall have a black asphaltic coating.
- D. All catch basin and curb inlet castings shall have a trout symbol with the wording "DUMP NO WASTE, DRAINS TO WATERWAYS" cast into the surface.

2.12 TRAVERSE CITY FIRE HYDRANT PARTS

- A. Reference the diagram below for part locations. Part reference number is included in the description on the bid form if applicable.

Traverse City Hydrant Parts Diagram



2.13 STAINLESS STEEL REPAIR CLAMPS

- A. Stainless steel repair clams shall be ROMAC or equivalent models manufactured by JCM.

BID FORM

VENDOR NAME: EJ USA, Inc.

Project: ITB 4629 – 2020 Utility Infrastructure Material

1. Quantities are only estimates and not guaranteed. Where an estimated quantity of zero (0) is identified, provide a unit price for the material, but do not include in the total bid price.
2. The pricing provided under this ITB shall be firm for one (2) years from the date of City Council approval, which is anticipated in June 2020. If there is a required price increase for any or all groups prior to the two (2) year price expiration, append information detailing the proposed price increases.
3. Bidders may elect to bid on individual bid groups or the entire bid package. For a bid group to be deemed complete, the bidder must provide pricing on all items within the group. The City, at its sole discretion, may elect to award individual bid groups to separate bidders, or award all bid groups to one bidder.
4. Each bid group includes a line item for the purchase of unlisted parts of a similar nature or type. The bidder must provide the percent discount from the Manufacturer's list price for items that are similar to those identified in the bid group, such as an unlisted size or alternate material. As manufacturer list prices change, the net price to the City will automatically change.

GROUP 1: DUCTILE IRON FITTINGS							
(Individual fittings shall be provided with accessory packs including standard MJ glands, Cor-Blue bolts and plain rubber gaskets.)							
ITEM	MATERIAL UID	DESCRIPTION	UNIT	ESTIMATED QUANTITY	UNIT COST	TOTAL COST	BRAND QUOTED
1	BEND_04X22.5	BEND, 4" 22 1/2 DEGREE MJ	EA	2	No Bid	No Bid	No Bid
2	BEND_12x22.5	BEND, 12" 22 1/2 DEGREE MJ	EA	1	No Bid	No Bid	No Bid
3	BEND_16x22.5	BEND, 16" 22 1/2 DEGREE MJ	EA	1	No Bid	No Bid	No Bid
4	BEND_20x22.5	BEND, 20" 22 1/2 DEGREE MJ	EA	1	No Bid	No Bid	No Bid
5	BEND_08x45	BEND, 8" 45 DEGREE MJ	EA	4	No Bid	No Bid	No Bid
6	BEND_12X45	BEND, 12" 45 DEGREE MJ	EA	4	No Bid	No Bid	No Bid

7	BEND_16X45	BEND, 16" 45 DEGREE MJ	EA	4	No Bid	No Bid	No Bid	No Bid
8	TEE_04	TEE, 4" MJ	EA	2	No Bid	No Bid	No Bid	No Bid
9	TEE_06	TEE, 6" MJ	EA	6	No Bid	No Bid	No Bid	No Bid
10	TEE_08	TEE, 8" MJ	EA	2	No Bid	No Bid	No Bid	No Bid
11	TEE_12	TEE, 12" MJ	EA	2	No Bid	No Bid	No Bid	No Bid
12	TEE_06X04	TEE, 6" x 4", MJ	EA	2	No Bid	No Bid	No Bid	No Bid
13	TEE_08X06	TEE, 8" x 6", MJ	EA	2	No Bid	No Bid	No Bid	No Bid
14	TEE_12X04	TEE, 12" x 4", MJ	EA	2	No Bid	No Bid	No Bid	No Bid
15	TEE_12X06	TEE, 12" x 6", MJ	EA	8	No Bid	No Bid	No Bid	No Bid
16	PLGS_04	PLUG, 4" MJ	EA	2	No Bid	No Bid	No Bid	No Bid
17	PLGS_06	PLUG, 6" MJ	EA	2	No Bid	No Bid	No Bid	No Bid
18	PLGS_08	PLUG, 8" MJ	EA	2	No Bid	No Bid	No Bid	No Bid
19	PLGS_12	PLUG, 12" MJ	EA	2	No Bid	No Bid	No Bid	No Bid
20	NA	PLUG, 16" MJ	EA	2	No Bid	No Bid	No Bid	No Bid
21	NA	REDUCER, 4" X 3", MJ x MJ	EA	2	No Bid	No Bid	No Bid	No Bid
22	REDUCER_06X04	REDUCER, 6" X 4", MJ x MJ	EA	2	No Bid	No Bid	No Bid	No Bid
23	REDUCER_08X06	REDUCER, 8" X 6", MJ x MJ	EA	2	No Bid	No Bid	No Bid	No Bid
24	REDUCER_12X06	REDUCER, 12" X 6", MJ x MJ	EA	2	No Bid	No Bid	No Bid	No Bid
25	REDUCER_12X10	REDUCER, 12" X 10", MJLEB x PE	EA	2	No Bid	No Bid	No Bid	No Bid
26	REDUCER_16X12	REDUCER, 16" X 12", MJ x MJ	EA	2	No Bid	No Bid	No Bid	No Bid
27	NA	REDUCER, 20" X 12", PE x MJSEB	EA	2	No Bid	No Bid	No Bid	No Bid
28	CPS_04	CAP, 4" MJ	EA	2	No Bid	No Bid	No Bid	No Bid
29	CPS_06	CAP, 6" MJ	EA	2	No Bid	No Bid	No Bid	No Bid
30	CPS_08	CAP, 8" MJ	EA	2	No Bid	No Bid	No Bid	No Bid
31	NA	CAP, 10" MJ	EA	2	No Bid	No Bid	No Bid	No Bid
32	NA	CAP, 12" MJ	EA	2	No Bid	No Bid	No Bid	No Bid
33	NA	SLEEVE, SOLID 4"x12" DUAL PURPOSE	EA	8	No Bid	No Bid	No Bid	No Bid
34	SLEEVE_06LP_DUO	SLEEVE, SOLID 6"x12" DUAL PURPOSE	EA	8	No Bid	No Bid	No Bid	No Bid
35	SLEEVE_08SP_DUO	SLEEVE, SOLID 8"x12" DUAL PURPOSE	EA	24	No Bid	No Bid	No Bid	No Bid
36	SLEEVE_10LP_DUO	SLEEVE, SOLID 10"x12" DUAL PURPOSE	EA	8	No Bid	No Bid	No Bid	No Bid

37	SLEEVE_12LP_DUO	SLEEVE, SOLID 12"x12" DUAL PURPOSE	EA	8	No Bid	No Bid	No Bid
38	SLEEVE_14LP_DUO	DUO SLEEVE, 14" LP	EA	2	No Bid	No Bid	No Bid
39	SLEEVE_16LP_DUO	DUO SLEEVE, 16" LP	EA	2	No Bid	No Bid	No Bid
40	SLEEVE_20LP_DUO	DUO SLEEVE, 20" LP	EA	2	No Bid	No Bid	No Bid
41	SLEEVE_24LP_DUO	DUO SLEEVE, 24" LP	EA	2	No Bid	No Bid	No Bid
42	SLEEVE_04SP	SLEEVE, SOLID 4" MJ SHORT	EA	8	No Bid	No Bid	No Bid
43	SLEEVE_04LP	SLEEVE, SOLID 4" MJ LONG	EA	8	No Bid	No Bid	No Bid
44	SLEEVE_04SP	SLEEVE, SOLID 4" MJ SHORT	EA	2	No Bid	No Bid	No Bid
45	SLEEVE_06SP	SLEEVE, SOLID 6" MJ SHORT		8	No Bid	No Bid	No Bid
46	SLEEVE_06LP	SLEEVE, SOLID 6" MJ LONG	EA	8	No Bid	No Bid	No Bid
47	SLEEVE_08SP	SLEEVE, SOLID 8" MJ SHORT	EA	8	No Bid	No Bid	No Bid
48	SLEEVE_08LP	SLEEVE, SOLID 8" DI MJ LONG	EA	8	No Bid	No Bid	No Bid
49	SLEEVE_10SP	SLEEVE, SOLID 10" MJ SHORT	EA	2	No Bid	No Bid	No Bid
50	SLEEVE_10LP	SLEEVE, SOLID 10" MJ LONG	EA	2	No Bid	No Bid	No Bid
51	SLEEVE_12LP	SLEEVE, SOLID 12" MJ SHORT	EA	8	No Bid	No Bid	No Bid
52	SLEEVE_12SP	SLEEVE, SOLID 12" MJ LONG	EA	8	No Bid	No Bid	No Bid
53	NA	SLEEVE, SOLID 14" MJ SHORT	EA	2	No Bid	No Bid	No Bid
54	SLEEVE_14LP	SLEEVE, SOLID 14" MJ LONG	EA	2	No Bid	No Bid	No Bid
55	SLEEVE_16SP	SLEEVE, SOLID 16" MJ SHORT	EA	2	No Bid	No Bid	No Bid
56	SLEEVE_16LP	SLEEVE, SOLID 16" MJ LONG	EA	2	No Bid	No Bid	No Bid
57	SLEEVE_20SP	SLEEVE, SOLID 20" MJ SHORT	EA	2	No Bid	No Bid	No Bid
58	SLEEVE_20LP	SLEEVE, SOLID 20" MJ LONG	EA	2	No Bid	No Bid	No Bid
59	SLEEVE_24SP	SLEEVE, SOLID 24" MJ SHORT	EA	2	No Bid	No Bid	No Bid
60	SLEEVE_24LP	SLEEVE, SOLID 24" MJ LONG	EA	2	No Bid	No Bid	No Bid

61	NA	SLEEVE, SOLID 30" MJ SHORT	EA	2	No Bid	No Bid	No Bid	
Unlisted Ductile Iron Fittings Percent Discount from List Price		N/A %			GROUP 1 SUBTOTAL			No Bid

GROUP 2: DUCTILE IRON MECHANICAL JOINT RESTRAINT GLANDS							
(Individual Mechanical Joint Restraint Glands to be provided with Cor-Blue bolts and plain rubber gasket.)							
ITEM	MATERIAL UID	DESCRIPTION	UNIT	ESTIMATED QUANTITY	UNIT COST	TOTAL COST	BRAND QUOTED
62	MEG_03	MEGALUG 3"	EA	2	No Bid	No Bid	No Bid
63	MEG_04	GLAND, 4" MJ JOINT RESTRAINT	EA	24	No Bid	No Bid	No Bid
64	MEG_06	GLAND, 6" MJ JOINT RESTRAINT	EA	48	No Bid	No Bid	No Bid
65	MEG_08	GLAND, 8" MJ JOINT RESTRAINT	EA	24	No Bid	No Bid	No Bid
66	MEG_10	GLAND, 10" MJ JOINT RESTRAINT	EA	2	No Bid	No Bid	No Bid
67	MEG_12	GLAND, 12" MJ JOINT RESTRAINT	EA	4	No Bid	No Bid	No Bid
68	MEG_14	MEGALUG 14"	EA	2	No Bid	No Bid	No Bid
69	MEG_16	GLAND, 16" MJ JOINT RESTRAINT	EA	2	No Bid	No Bid	No Bid
70	MEG_20	GLAND, 20" MJ JOINT RESTRAINT	EA	2	No Bid	No Bid	No Bid
Unlisted Mechanical Joint Restraint Glands Percent Discount from List Price				N/A	%	GROUP 2 SUBTOTAL	No Bid

GROUP 4: FIRE HYDRANTS

ITEM	MATERIAL UID	DESCRIPTION	UNIT	ESTIMATED QUANTITY	UNIT COST	TOTAL COST	BRAND QUOTED
82	EJ_SEATING_VALVE	EJ_SEATING_VALVE - 6 BR 22	EA	18	\$48.60	\$874.80	EJ
83	EJ_WM_05.5	EJ 5BR250 FIRE HYDRANT, 5.5' BURY	EA	20	\$2,273.68	\$45,473.60	EJ
84	EJ_WM_06	EJ 5BR250 FIRE HYDRANT, 6' BURY	EA	12	\$2,315.96	\$27,791.52	EJ
85	EJ_EXT_SHA_06	EJ 6" HYDRANT EXTENSION, SHAFT ONLY	EA	24	\$49.48	\$1,187.52	EJ
86	EJ_EXT_SHA_12	EJ 12" HYDRANT EXTENSION, SHAFT ONLY	EA	24	\$48.98	\$1,175.52	EJ
87	NA	EJ 6BR 6" HYDRANT EXTENSION KIT	EA	12	\$250.04	\$3,000.48	EJ
88	NA	EJ 6BR 12" HYDRANT EXTENSION KIT	EA	12	\$292.34	\$3,508.08	EJ
89	EJ_EXT_KIT_12	EJ 5BR250 12" HYDRANT EXTENSION KIT	EA	30	\$292.34	\$8,770.20	EJ
90	EJ_EXT_KIT_06	EJ 5BR250 6" HYDRANT EXTENSION KIT	EA	12	\$250.04	\$3,000.48	EJ
91	EJ_06_BR_CHATTER_KIT	EJ 6BR CONVERSION CHATTER KIT	EA	24	\$354.87	\$8,516.88	EJ
92	EJ_5BR250_CONV_06	EJ 5BR CONVERSION KIT FOR TRAVERSE CITY HYDRANT	EA	24	\$2,725.36	\$65,408.64	EJ
93	EJ_REPAIR_KIT_BLAC K	EJ 5BR250 BRK FLG REPAIR KIT, BLACK #00946447	EA	48	\$116.79	\$5,605.92	EJ
94	EJ_REPAIR_KIT_RED	EJ BR BRK FLG REPAIR KIT, RED #00946345	EA	48	\$116.79	\$5,605.92	EJ
95	NA	EJ 6BR VALVE SEAT	EA	24	\$133.91	\$3,213.84	EJ
96	NA	EJ 6BR VALVE SEAT O RINGS	EA	24	\$9.40	\$225.60	EJ
97	NA	EJ 6BR DRIP SHUT OFF	EA	24	\$92.67	\$2,224.08	EJ
98	NA	EJ 6BR VALVE WASHER	EA	24	\$22.13	\$531.12	EJ
99	NA	EJ 5BR250 VALVE SEAT	EA	24	\$57.81	\$1,387.44	EJ
100	NA	EJ 5BR VALVE SEAT O RINGS	EA	24	\$5.00	\$120.00	EJ
101	EJ_2.5_NOZZLE_LOCK	EJ, 2.5" HOSE NOZZLE (LOCK-IN TYPE) - 946014	EA	24	\$51.70	\$1,240.80	EJ

102	EJ_LOW_STEM_5.5FT	EJ, LOWER OPER STEM FOR 5.5ft HYD-EJIW PART 946729	EA	24	\$69.70	\$1,672.80	EJ	
103	EJ_LOW_STEM_5FT	EJ, LOWER STEM 5FT	EA	12	\$64.78	\$777.36	EJ	
104	EJ_LOW_STEM_6.5FT	EJ, LOWER OPER STEM FOR 6.5 ft HYD - EJIW CAT #12-B	EA	12	\$79.53	\$954.36	EJ	
105	EJ_OPERATING_NUT	EJ, OPERATING NUT - BR7-C BR7-D	EA	24	\$89.30	\$2,143.20	EJ	
106	EJ_TOP_STEM_21.5IN	EJ, TOP OPERATING STEM, 21.5" - EJIW PART 946740	EA	24	\$84.60	\$2,030.40	EJ	
107	EJ_DRIP_SHUT_OFF_B R5	EJ 5BR DRIP SHUT OFF	EA	24	\$89.30	\$2,143.20	EJ	
108	NA	EJ 5BR VALVE WASHER	EA	24	\$22.13	\$531.12	EJ	
109	NA	HARRINGTON 4" STORZ NOZZLE CAP F/4-1/2" PORT	EA	24	\$256.25	\$6,150.00	EJ	
Unlisted Fire Hydrant Parts Discount							GROUP 4 SUBTOTAL	\$205,272.88
from List Price							10 %	

GROUP 5: GATE VALVES							
(Individual gate valves shall be provided with accessories packs including standard MJ glands, Cor-Blue bolts and plain rubber gaskets.)							
ITEM	MATERIAL UID	DESCRIPTION	UNIT	ESTIMATED QUANTITY	UNIT COST	TOTAL COST	BRAND QUOTED
110	RWW_03_Bypass	GATE VALVE, 3" F-F (FOR BYPASS)		2	\$398.82	\$797.64	EJ
111	RWW_03	GATE VALVE, 3" MJ		2	\$405.77	\$811.54	EJ
112	RWW_04	GATE VALVE, 4" MJ	EA	8	\$450.86	\$3,606.88	EJ
113	RWW_06	GATE VALVE, 6" MJ	EA	72	\$567.65	\$40,870.80	EJ
114	RWW_08	GATE VALVE, 8" MJ	EA	48	\$914.00	\$43,872.00	EJ
115	NA	GATE VALVE, 8" MJ x TAP	EA	24	\$1,189.64	\$28,551.36	EJ
116	RWW_10	GATE VALVE, 10" MJ	EA	2	\$1,425.38	\$2,850.76	EJ
117	RWW_12	GATE VALVE, 12" MJ	EA	12	\$1,803.42	\$21,641.04	EJ
118	RWW_14	GATE VALVE, 14" MJ	EA	2	No Bid	No Bid	No Bid
119	RWW_16	GATE VALVE, 16" MJ	EA	8	\$6,045.43	\$48,363.44	EJ
120	RWW_20	GATE VALVE, 20" MJ	EA	2	\$14,400.29	\$28,800.58	EJ
121	NA	STAINLESS TAPPING SLEEVE, 12"X12"X8"	EA	2	No Bid	No Bid	No Bid
122	NA	STAINLESS TAPPING SLEEVE, 16"X16"X8"	EA	2	No Bid	No Bid	No Bid
123	NA	STAINLESS TAPPING SLEEVE, 20"X20"X8"	EA	2	No Bid	No Bid	No Bid
124	OPN01	2" AD OP Nut F/4"-12" 500 & amp; 2500 Series Gate Valves	EA	400	No Bid	No Bid	No Bid
Unlisted Gate Valves Percent Discount from List Price					52 %		
					GROUP 5 SUBTOTAL		\$220,166.04

GROUP 6: CURB AND GATE BOXES							
ITEM	MATERIAL UID	DESCRIPTION	UNIT	ESTIMATED QUANTITY	UNIT COST	TOTAL COST	BRAND QUOTED
125	C_COMPLETE	CURB BOX, COMPLETE	EA	1	No Bid	No Bid	No Bid
126	C_TOP_HALF	CURB BOX, TOP HALF W/ LID	EA	600	No Bid	No Bid	No Bid
127	C_BOX_BOTTOM_HALF	CURB BOX BOTTOM HALF	EA	600	No Bid	No Bid	No Bid
128	C_L_BASE	CURB BOX; LARGE BASE (BIGFOOT)	EA	150	No Bid	No Bid	No Bid
129	C_9_EXIT	CURB BOX EXTENSION, 9"	EA	200	No Bid	No Bid	No Bid
130	C_16_EXIT	CURB BOX EXTENSION, 16"	EA	200	No Bid	No Bid	No Bid
131	C_REPAIR_LID	CURB BOX REPAIR LID	EA	1000	No Bid	No Bid	No Bid
132	NA	GATE BOX, COMPLETE	EA		No Bid	No Bid	No Bid
133	G_TOP_HALF	GATE BOX TOP 1/2, WITH NO LID	EA	400	\$66.38	\$26,552.00	EJ
134	G_14_EXT	GATE BOX EXTENSION, 14"	EA	50	\$48.31	\$2,415.50	EJ
135	G_18_20_EXT	GATE BOX EXTENSION, 18" & 20"	EA	50	\$55.75	\$2,787.50	EJ
136	G_REG_BASE	GATE BOX REGULAR BASE (#6)	EA	100	\$58.24	\$5,824.00	EJ
137	G_SMALL_BASE	GATE BOX SMALL BASE (#4)	EA	300	\$47.75	\$14,325.00	EJ
138	NA	GATE BOX FIXED RISER	EA	2	No Bid	No Bid	No Bid
139	G_CHEATER	GATE BOX ADJUSTABLE RISER	EA	2	No Bid	No Bid	No Bid
140	G_LID	GATE BOX LID	EA	500	\$15.95	\$7,975.00	EJ
141	G_BOTTOM_HALF	GATE BOX BOTTOM HALF - EJW 85606030	EA	400	\$55.89	\$22,356.00	EJ
142		Placeholder					
Unlisted Curb and Gate Boxes Percent Discount from List Price						GROUP 6 SUBTOTAL	\$82,235.00
						N/A %	

GROUP 7: EXTENDED RANGE COUPLINGS							
ITEM	MATERIAL UID	DESCRIPTION	UNIT	ESTIMATED QUANTITY	UNIT COST	TOTAL COST	BRAND QUOTED
143	COUP_03	Extended range coupler 3"	EA	2	No Bid	No Bid	No Bid
144	COUP_04	4" EXTENDED RANGE COUPLING	EA	20	No Bid	No Bid	No Bid
145	COUP_06	6" EXTENDED RANGE COUPLING	EA	60	No Bid	No Bid	No Bid
146	COUP_08	8" EXTENDED RANGE COUPLING	EA	40	No Bid	No Bid	No Bid
147	COUP_10	10" EXTENDED RANGE COUPLING	EA	2	No Bid	No Bid	No Bid
148	COUP_12	12" EXTENDED RANGE COUPLING	EA	24	No Bid	No Bid	No Bid
149	COUP_14	Extended Range Coupler 14"	EA	4	No Bid	No Bid	No Bid
150	COUP_16	Extended Range Coupler 16"	EA	4	No Bid	No Bid	No Bid
Unlisted Extended Range Couplings Percent Discount from List Price					GROUP 7 SUBTOTAL		
					N/A %		

GROUP 8: COPPER PIPE

ITEM	MATERIAL UID	DESCRIPTION	UNIT	ESTIMATED QUANTITY	UNIT COST	TOTAL COST	BRAND QUOTED
151	PIPE_C_.75	PIPE, COPPER Type K, 3/4" 60' ROLLS	EA	500	No Bid	No Bid	No Bid
152	PIPE_C_01	1" TYPE K COPPER, 100' ROLL	EA	5000	No Bid	No Bid	No Bid
153	PIPE_C_01.5	1-1/2" TYPE K COPPER, 60' ROLL	EA	5000	No Bid	No Bid	No Bid
154	PIPE_C_02	2" TYPE K COPPER, 60' ROLL	EA	400	No Bid	No Bid	No Bid
155	PIPE_C_01.25	1.25" TYPE K COPPER, 60' ROLL	EA	200	No Bid	No Bid	No Bid
Unlisted Copper Pipe Percent Discount from List Price		N/A %				GROUP 8 SUBTOTAL	No Bid

GROUP 9: BRASS FITTINGS

ITEM	MATERIAL UID	DESCRIPTION	UNIT	ESTIMATED QUANTITY	UNIT COST	TOTAL COST	BRAND QUOTED
156	CORP_0.75X0.75	CORPORATION, 3/4"	EA	2	No Bid	No Bid	No Bid
157	CORP_0.75X01	CORPORATION, 3/4" X 1"	EA	600	No Bid	No Bid	No Bid
158	CORP_01X01	CORPORATION, 1"	EA	300	No Bid	No Bid	No Bid
159	NA	CORPORATION, 1" C-C X 1-1/4" FLR	EA	100	No Bid	No Bid	No Bid
160	CORP_01.25X01.25	CORPORATION, 1-1/4"	EA	2	No Bid	No Bid	No Bid
161	CORP_01.5x01.5	CORPORATION, 1-1/2"	EA	48	No Bid	No Bid	No Bid
162	CORP_01.5x02	CORPORATION, 1-1/2" C-C X 2" FLR	EA	100	No Bid	No Bid	No Bid
163	CORP_02X02	CORPORATION, 2"	EA	24	No Bid	No Bid	No Bid
164	SADDLE_04X01	SADDLE, 4" X 1"	EA	2	No Bid	No Bid	No Bid
165	SADDLE_04X01.5	SADDLE, 4" X 1 1/2"	EA	2	No Bid	No Bid	No Bid
166	SADDLE_06X01.25	SADDLE, 6" X 1 1/4"	EA	2	No Bid	No Bid	No Bid
167	SADDLE_06X01.5	SADDLE, 6" X 1 1/2"	EA	4	No Bid	No Bid	No Bid
168	SADDLE_08X01.5	SADDLE, 8" X 1 1/2"	EA	4	No Bid	No Bid	No Bid
169	SADDLE_10X01.5	SADDLE, 10" X 1 1/2"	EA	2	No Bid	No Bid	No Bid
170	SADDLE_12X01.5	SADDLE, 12" X 1 1/2"	EA	70	No Bid	No Bid	No Bid
171	SADDLE_12X02	SADDLE, 12" X 2"	EA	2	No Bid	No Bid	No Bid
172	SADDLE_16X01.5	SADDLE, 16" X 1 1/2"	EA	2	No Bid	No Bid	No Bid
173	SADDLE_20X01.5	SADDLE, 20" X 1 1/2"	EA	2	No Bid	No Bid	No Bid
174	STOP_75	STOP, 3/4" C-C	EA	24	No Bid	No Bid	No Bid
175	STOP_01	CURB STOP, 1" C-C	EA	400	No Bid	No Bid	No Bid
176	STOP_01.25	CURB STOP, 1-1/4" C-C	EA	2	No Bid	No Bid	No Bid
177	STOP_01.5	CURB STOP, 1-1/2" C-C	EA	24	No Bid	No Bid	No Bid
178	STOP_02	CURB STOP, 2" C-C	EA	48	No Bid	No Bid	No Bid
179	CIPF_0.75	STRAIGHT COUPLING, 3/4" X 3/4" FNPT X FFLR	EA	48	No Bid	No Bid	No Bid
180	CIPF_01	STRAIGHT COUPLING, 1" X 1" FNPT X FFLR	EA	72	No Bid	No Bid	No Bid
181	CIPF_01.25	STRAIGHT COUPLING, 1-1/4" X 1-1/4" FNPT X FFLR	EA	12	No Bid	No Bid	No Bid
182	CIPF_01.5	STRAIGHT COUPLING, 1-1/2" X 1-1/2" FNPT X FFLR	EA	48	No Bid	No Bid	No Bid

183	NA	STRAIGHT COUPLING, 2" X 2" FNPT X FFLLR	EA	12	No Bid	No Bid	No Bid	
184	CCC_0.75	TWO-PART UNION, 3/4"	EA	24	No Bid	No Bid	No Bid	
185	CCC_01	TWO-PART UNION, 1"	EA	400	No Bid	No Bid	No Bid	
186	CCC_01.25	TWO-PART UNION, 1-1/4"	EA	12	No Bid	No Bid	No Bid	
187	CCC_01.5	TWO-PART UNION, 1-1/2"	EA	24	No Bid	No Bid	No Bid	
188	CCC_02	TWO-PART UNION, 2"	EA	48	No Bid	No Bid	No Bid	
189	NA	1-1/2" TEE	EA	2	No Bid	No Bid	No Bid	
190	NA	2" TEE	EA	2	No Bid	No Bid	No Bid	
191	NA	1-1/2" QUARTER BEND (90)	EA	2	No Bid	No Bid	No Bid	
192	NA	2" QUARTER BEND (90)	EA	2	No Bid	No Bid	No Bid	
193	PPN_01X0.75	1" X 3/4" COPPER FLR X FFLLR (PIGGY BACK NUT)	EA	200	No Bid	No Bid	No Bid	
194	PPN_01.5X01.25	1-1/2" X 1-1/4" COPPER FLR X FFLLR (PIGGY BACK NUT)	EA	48	No Bid	No Bid	No Bid	
195	PPN_02X01.5	2" X 1-1/2" COPPER FLR X FFLLR (PIGGY BACK NUT)	EA	48	No Bid	No Bid	No Bid	
196	NA	1-1/4" X 1-1/2" FFLLR X COPPER FLR	EA	48	No Bid	No Bid	No Bid	
197	PPN_01X01.25	PIGGYBACK NUT 1"X1-1/4"	EA	48	No Bid	No Bid	No Bid	
198	PPN_01.25X01.5	PIGGYBACK NUT 1-1/2" x 1-1/4"	EA	48	No Bid	No Bid	No Bid	
199	PPN_1.5X02	PIGGYBACK NUT 1-1/2" x 2"	EA	48	No Bid	No Bid	No Bid	
200	PPN_01.25X01	PIGGYBACK NUT 1-1/2" x 1"	EA	48	No Bid	No Bid	No Bid	
Unlisted Brass Fittings Percent Discount from List Price		N/A %	GROUP 9 SUBTOTAL					No Bid

GROUP 11: CASTINGS

ITEM	MATERIAL UID	DESCRIPTION	UNIT	ESTIMATED QUANTITY	UNIT COST	TOTAL COST	BRAND QUOTED
216	NA	FRAME-INLET- EJIW - 7036ZRH	EA	30	\$469.29	\$14,078.70	EJ
217	NA	FRAME-INLET- EJIW - 7036ZLH	EA	30	\$469.29	\$14,078.70	EJ
218	NA	GRATE-INLET-EJIW-7030T6	EA	60	\$117.16	\$7,029.60	EJ
219	NA	Grade Ring - MH - 24" ID x 1.25"h - Ladtech or equal	EA	1	No Bid	No Bid	No Bid
220	NA	Grade Ring - MH - 24" ID x 1.50"h - Ladtech or equal	EA	1	\$69.65	\$69.65	EJ
221	NA	Grade Ring - MH - 24" ID x 2.0"h - Ladtech or equal	EA	1	\$88.56	\$88.56	EJ
222	SINLETS017	FRAME-INLET-REC FLANGE- 32"X23.75" WIDTH - 5000Z - EJIW	EA	1	\$178.08	\$178.08	EJ
223	SINLETS019	FRAME-INLET-RD FLANGE- 34"OD - EJIW - 5080	EA	1	\$235.89	\$235.89	EJ
224	SINLETS020	Grate - Inlet - Rec 22.75"x17.75" - 5000 M2 EJIW	EA	1	\$129.37	\$129.37	EJ
225	SINLETS021	Grate - Inlet - Beehive - 26" OD x 6"h - 1040 T2 EJIW	EA	1	\$165.36	\$165.36	EJ
226	SINLETS022	GRATE-INLET-BEEHIVE-23" OD x 7"H - 1020 T2 - EJIW	EA	1	\$261.34	\$261.34	EJ
227	SINLETS024	FRAME-INLET CURB-RD FLANGE - 7045KZ - EJIW	EA	1	\$287.65	\$287.65	EJ
228	SINLETS025	BACK-INLET CURB-ROLLED CURB-7050 T1 - EJIW - 7050 Type 1	EA	1	\$111.11	\$111.11	EJ
229	SINLETS026	GRATE-INLET CURB-7045M1	EA	1	\$135.46	\$135.46	EJ
230	SINLETS029	GRATE-INLET CURB - NEENAH R-3249-F	EA	4	No Bid	No Bid	No Bid
231	SINLETS036	EJ 7060T1 CURB INLET HOOD	EA	2	\$118.69	\$237.38	EJ
232	SINLETS037	GRATE-INLET-RD-FLAT-26" OD-1040 M1	EA	2	\$158.04	\$316.08	EJ
233	SINLETS038	GRATE-INLET-OVAL-26" OD X 3.25"H-1040 TN - EJIW	EA	2	\$165.36	\$330.72	EJ
234	SMANHOL016	Grade Ring - MH - 30" spec - 39.5"ODx29.75"IDx1.5" - Ladtech or equal	EA	2	No Bid	No Bid	No Bid

235	SMANHOL017	Grade Ring - MH - 30" spec - 39.5"ODx29.75"IDx2.25" - Ladtech or equal	EA	2	No Bid	No Bid	No Bid
236	SMANHOL018	Grade Ring - MH - 24" ID x 4.0"h - Ladtech or equal	EA	2	No Bid	No Bid	No Bid
237	SMANHOL020	FRAME/COVER ASSY-MH-BOLT DOWN-1045Z W/1040APT - EJIW	EA	2	\$421.47	\$842.94	EJ
238	SMANHOL021	FRAME/COVER ASSY-MH-BOLT DWN-1040Z W/1040APT - EJIW	EA	2	\$452.19	\$904.38	EJ
239	SMANHOL023	COVER-MH-26" OD-STORM-CITY ART-1040A - EJIW	EA	60	\$169.76	\$10,185.60	EJ
240	SMANHOL024	FRAME-MH-39"OD, 24" ID, 7"H-26OD CVR-1040 - EJIW	EA	70	\$237.06	\$16,594.20	EJ
241	SMANHOL026	COVER-MH-26" OD-SANITARY-CITY ART-1040A - EJIW	EA	10	\$203.44	\$2,034.40	EJ
242	SMANHOL027	COVER-MH-26" OD-SEWER-GENERIC-1040A - EJIW	EA	1	\$169.76	\$169.76	EJ
243	SMANHOL028	COVER-MH-26" OD -WATER-CITY ART-1040A - EJIW	EA	1	\$169.76	\$169.76	EJ
244	SMANHOL029	COVER-MH-26" OD-WATER-GENERIC-1040A - EJIW	EA	1	\$169.76	\$169.76	EJ
245	SMANHOL030	FRAME-MH-36"OD, 24" ID, 4"H-26OD CVR-1046Z - EJIW	EA	1	\$206.34	\$206.34	EJ
246	SMANHOL031	FRAME-MH-36" , 24" ID-BOLT DOWN-1040Z - EJIW	EA	1	\$270.72	\$270.72	EJ
247	SMANHOL032	COVER-MH-1000C - EJIW	EA	1	\$159.82	\$159.82	EJ
248		Placeholder	EA				
249		Placeholder	EA				
250		Placeholder	EA				
251		Placeholder	EA				
252		Placeholder	EA				
253		Placeholder	EA				
254		Placeholder	EA				
Unlisted Castings Percent Discount from List Price							
						GROUP 11 SUBTOTAL	\$69,441.33

GROUP 12: TRAVERSE CITY FIRE HYDRANT PARTS							
(Reference diagram in specifications for description of Traverse City Fire Hydrant parts.)							
ITEM	MATERIAL UID	DESCRIPTION	UNIT	ESTIMATED QUANTITY	UNIT COST	TOTAL COST	BRAND QUOTED
255	TC_COPPER_GASKET	COPPER GASKETS--USED WITH #5 ONLY (1 XI)	EA	2	No Bid	No Bid	No Bid
256	NA	BRONZE STUD 1/2" (2 R)	EA	2	No Bid	No Bid	No Bid
257	TC_BREAT_NUT_BOLT_3"	BRONZE NUT 1/2" (3 R)	EA	2	No Bid	No Bid	No Bid
258	COMES AS PART OF THE VALVE TOP PIECE	CAST IRON TOP NUT (4 T)	EA	2	No Bid	No Bid	No Bid
259	TC_STUFF_BOX_O-RING	(5 F)	EA	2	No Bid	No Bid	No Bid
260	TC_O-RING	RUBBER O-RING SEALS--REQUIRES 2 (6 Y)	EA	2	No Bid	No Bid	No Bid
261	NA	TOP BRONZE PIECE (7 U)	EA	2	No Bid	No Bid	No Bid
262	NA	BRONZE HOSE NOZZLE 2 1/2" (9 G)	EA	2	No Bid	No Bid	No Bid
263	NA	HOSE NOZZLE CAP GASKET (12 X2)	EA	2	No Bid	No Bid	No Bid
264	NA	PUMPER NOZZLE CAP GASKET (2 X2)	EA	2	No Bid	No Bid	No Bid
265	NA	HOSE NOZZLE CAP WITH GASKET (13 E)	EA	2	No Bid	No Bid	No Bid
266	NA	PUMPER NOZZLE CAP WITH GASKET (14 E)	EA	2	No Bid	No Bid	No Bid
267	NA	STAINLESS STEEL COTTER PIN (16 W)	EA	2	No Bid	No Bid	No Bid
268	TC_GASKET_FULL_FACE	FULL FACE GASKET (17 X)	EA	24	No Bid	No Bid	No Bid
269	TC_RUBBER_GASKET	LIPPED GASKET (17)	EA	24	No Bid	No Bid	No Bid
270	NA	BREAK FLANGE O-RING (XB)	EA	2	No Bid	No Bid	No Bid
271	NA	LOCK RING (18)	EA	2	No Bid	No Bid	No Bid
272	NA	UPPER ROD (TRAFFIC MODEL ONLY) (19 DB)	EA	2	No Bid	No Bid	No Bid
273	NA	BARREL (TRAFFIC MODEL) --3'0" (20 BB)	EA	2	No Bid	No Bid	No Bid
274	NA	ADD FOR EACH ADDITIONAL 6" OF BARREL	EA	2	No Bid	No Bid	No Bid
275	NA	HEX NUT (21)	EA	2	No Bid	No Bid	No Bid

276	NA	HEX BOLT (22)	EA	2	No Bid	No Bid	No Bid	
277	TC_EXT_STEM_CPLG	EXTENSION STEM COUPLING(B)	EA	6	No Bid	No Bid	No Bid	
278	NA	(HS)	EA	2	No Bid	No Bid	No Bid	
279	TC_BREAT_NUT_BOLT_3"	BREAKABLE BOLT & NUT-1 EACH (23,25 VB)	EA	2	No Bid	No Bid	No Bid	
280	NA	BARREL FLANGE (24)	EA	2	No Bid	No Bid	No Bid	
281	NA	FLANGE BOLT & NUT-1 EACH (25,29V)	EA	2	No Bid	No Bid	No Bid	
282	NA	BREAKABLE COUPLING (26 CB)	EA	2	No Bid	No Bid	No Bid	
283	NA	LOWER ROD-PER FOOT (27 D)	EA	2	No Bid	No Bid	No Bid	
284	NA	BARREL (NON-TRAFFIC)-3'0" (28)	EA	2	No Bid	No Bid	No Bid	
285	NA	ADD FOR EACH ADDITIONAL 6" OF BARREL	EA	2	No Bid	No Bid	No Bid	
286	NA	BRONZE STEM (30 S)	EA	2	No Bid	No Bid	No Bid	
287	NA	NAILS (31 H)	EA	2	No Bid	No Bid	No Bid	
288	NA	O-RING SEALS-REQUIRES 2 (32 Z)	EA	2	No Bid	No Bid	No Bid	
289	TC_VALVE_TOP_PIECE	VALVE TOP PIECE (33 K)	EA	48	No Bid	No Bid	No Bid	
290	TC_MAIN_VALVE_RUBBER	MOLDED VALVE RUBBER (34 J)	EA	48	No Bid	No Bid	No Bid	
291	NA	BRONZE VALVE SEAT (35 M)	EA	48	No Bid	No Bid	No Bid	
292	TC_VALVE_BOTTOM	VALVE BOTTOM PIECE (36 L)	EA	40	No Bid	No Bid	No Bid	
293	NA	BRONZE VALVE NUT (37 N)	EA	2	No Bid	No Bid	No Bid	
294	NA	(38 O)	EA	2	No Bid	No Bid	No Bid	
295	NA	SET SCREW (40)	EA	2	No Bid	No Bid	No Bid	
296	NA	DRIP VALVE LEATHER WITH NAILS & RIVET SET (41 I)	EA	2	No Bid	No Bid	No Bid	
297	NA	RIVET OR DRIP NAIL-SET OF 5 (58)	EA	2	No Bid	No Bid	No Bid	
298	TC_LOW_STEM_7FT	TC, LOWER STEM 7FT	EA	2	No Bid	No Bid	No Bid	
Unlisted Traverse City Fire Hydrant Parts Percent Discount from List Price		N/A %	GROUP 12 SUBTOTAL					No Bid

GOURP 13: STAINLESS STEEL REPAIR CLAMPS

ITEM	MATERIAL UID	DESCRIPTION	UNIT	ESTIMATED QUANTITY	UNIT COST	TOTAL COST	BRAND QUOTED
299	SSRCTS_04X08X1	SSTS 4" X 1" CC SP	EA	4	No Bid	No Bid	No Bid
300	SSRCTS_04X08X1.5	SSTS 4" X 1-1/2" CC SP	EA	4	No Bid	No Bid	No Bid
301	SSRCTS_04X12X1	SSTS 4" X 1" CC LP	EA	4	No Bid	No Bid	No Bid
302	SSRCTS_04X12X1.5	SSTS 4" X 1-1/2" CC LP	EA	4	No Bid	No Bid	No Bid
303	SSRCTS_06X06	SSTS 6" X 6" FLANGE	EA	2	No Bid	No Bid	No Bid
304	SSRCTS_06X08X1	SSTS 6" X 1" CC SP	EA	4	No Bid	No Bid	No Bid
305	SSRCTS_06X12X1	SSTS 6" X 1" CC LP	EA	4	No Bid	No Bid	No Bid
306	SSRCTS_06X12X1.5	SSTS 6" X 1-1/2" CC	EA	2	No Bid	No Bid	No Bid
307	SSRCTS_06X12X2	SSTS 6" X 2" CC	EA	2	No Bid	No Bid	No Bid
308	SSRCTS_08X06	SSTS 8" X 6" FLANGE	EA	2	No Bid	No Bid	No Bid
309	SSRCTS_08X08X1	SSTS 8" X 1" CC SP	EA	4	No Bid	No Bid	No Bid
310	SSRCTS_08X12X1	SSTS 8" X 1" CC LP	EA	4	No Bid	No Bid	No Bid
311	SSRCTS_08X20X1.5	SSTS 8" X 1-1/2" CC	EA	4	No Bid	No Bid	No Bid
312	SSRCTS_10X10X1.5	SSTS 10" X 1-1/2" CC	EA	4	No Bid	No Bid	No Bid
313	SSRCTS_12X06	SSTS 12" X 6" FLANGE	EA	2	No Bid	No Bid	No Bid
314	SSRCTS_12X1.5	SSTS 12" X 1-1/2" CC	EA	2	No Bid	No Bid	No Bid
315	SSRCTS_12X12X1	SSTS 12" X 1" CC	EA	4	No Bid	No Bid	No Bid
316	SSRCTS_16X06	SSTS 16" X 6" FLANGE	EA	2	No Bid	No Bid	No Bid
317	SSRCTS_20X06	SSTS 20" X 6" FLANGE	EA	2	No Bid	No Bid	No Bid
318	SSRC_04X08	SSRC 4" X 8"	EA	24	No Bid	No Bid	No Bid
319	SSRC_04X12	SSRC 4" X 12"	EA	24	No Bid	No Bid	No Bid
320	SSRC_04X20	SSRC 4" X 20"	EA	4	No Bid	No Bid	No Bid
321	SSRC_04X25	SSRC 4" X 25"	EA	4	No Bid	No Bid	No Bid
322	SSRC_04X30	SSRC 4" X 30"	EA	4	No Bid	No Bid	No Bid
323	SSRC_06X08	SSRC 6" X 8"	EA	60	No Bid	No Bid	No Bid
324	SSRC_06X12	SSRC 6" X 12"	EA	24	No Bid	No Bid	No Bid
325	SSRC_06X16	SSRC 6" X 16"	EA	6	No Bid	No Bid	No Bid
326	SSRC_06X20	SSRC 6" X 20"	EA	4	No Bid	No Bid	No Bid
327	SSRC_06X24	SSRC 6" X 24"	EA	4	No Bid	No Bid	No Bid
328	SSRC_06X30	SSRC 6" X 30"	EA	2	No Bid	No Bid	No Bid

329	SSRC_06X36	SSRC 6" X 36"	EA	2	No Bid	No Bid	No Bid	
330	SSRC_08X08	SSRC 8" X 8"	EA	72	No Bid	No Bid	No Bid	
331	SSRC_08X12	SSRC 8" X 12"	EA	24	No Bid	No Bid	No Bid	
332	SSRC_08X16	SSRC 8" X 16"	EA	2	No Bid	No Bid	No Bid	
333	SSRC_08X24	SSRC 8" X 24"	EA	2	No Bid	No Bid	No Bid	
334	SSRC_08X30	SSRC 8" X 30"	EA	2	No Bid	No Bid	No Bid	
335	SSRC_10X10	SSRC 10" X 10"	EA	2	No Bid	No Bid	No Bid	
336	SSRC_10X12	SSRC 10" X 12"	EA	2	No Bid	No Bid	No Bid	
337	SSRC_10X16	SSRC 10" X 16"	EA	2	No Bid	No Bid	No Bid	
338	SSRC_10X24	SSRC 10" X 24"	EA	4	No Bid	No Bid	No Bid	
339	SSRC_12X12	SSRC 12" X 12"	EA	4	No Bid	No Bid	No Bid	
340	SSRC_12X12_FSM	SSRC 12" X 12" Steel Main	EA	4	No Bid	No Bid	No Bid	
341	SSRC_12X15	SSRC 12" X 15"	EA	2	No Bid	No Bid	No Bid	
342	SSRC_12X16	SSRC 12" X 16"	EA	4	No Bid	No Bid	No Bid	
343	SSRC_12X20	SSRC 12" X 20"	EA	6	No Bid	No Bid	No Bid	
344	SSRC_12X24	SSRC 12" X 24"	EA	4	No Bid	No Bid	No Bid	
345	SSRC_12X30	SSRC 12" X 30"	EA	2	No Bid	No Bid	No Bid	
346	SSRC_14X12	SSRC 14" X 12"	EA	4	No Bid	No Bid	No Bid	
347	SSRC_14X16	SSRC 14" X 16"	EA	4	No Bid	No Bid	No Bid	
348	SSRC_16X15	SSRC 16" X 15"	EA	2	No Bid	No Bid	No Bid	
349	SSRC_16X30	SSRC 16" X 30"	EA	2	No Bid	No Bid	No Bid	
350	SSRC_18X12	SSRC 18" X 12"	EA	2	No Bid	No Bid	No Bid	
351	SSRC_20X12	SSRC 20" X 12"	EA	2	No Bid	No Bid	No Bid	
352	SSRC_20X16	SSRC 20" X 16"	EA	6	No Bid	No Bid	No Bid	
353	SSRC_20X20	SSRC 20" X 20"	EA	2	No Bid	No Bid	No Bid	
354	SSRC_20X25	SSRC 20" X 25"	EA	6	No Bid	No Bid	No Bid	
355	SSRC_20X30	SSRC 20" X 30"	EA	2	No Bid	No Bid	No Bid	
356	SSRC_24X20	SSRC 24" X 20"	EA	2	No Bid	No Bid	No Bid	
357	SSRC_24X24	SSRC 24" X 24"	EA	2	No Bid	No Bid	No Bid	
Unlisted Stainless Steel Repair Clamps Percent Discount from List Price							GROUP 13 SUBTOTAL	No Bid
							N/A %	

GROUP 14: SEWER AND DRAINAGE PIPE AND FITTINGS							
ITEM	MATERIAL UID	DESCRIPTION	UNIT	ESTIMATED QUANTITY	UNIT COST	TOTAL COST	BRAND QUOTED
SDR							
358	SPIPE 019	Pipe, PVC, Sched 40, 4"	L_Ft	20	No Bid	No Bid	No Bid
359	SPIPE 020	Pipe, PVC, Sched 40, 6"	L_Ft	20	No Bid	No Bid	No Bid
360	SPIPE 021	PIPE, PVC 8" SCHEDULE 40	L_Ft	20	No Bid	No Bid	No Bid
361	SPIPE 024	PIPE, N-12 12" RIBBED BLACK PLASTIC - 45 1294AN	L_Ft	100	No Bid	No Bid	No Bid
362	SPIPE 025	PIPE, N-12 15" RIBBED BLACK PLASTIC	L_Ft	30	No Bid	No Bid	No Bid
363	SPIPE 026	PIPE, N-12 10" RIBBED BLACK PLASTIC	L_Ft	40	No Bid	No Bid	No Bid
364	SPIPE_028 PIPE, PVC 6 SDR_26	Pipe, PVC 6" SDR 26 GREEN GASKETED	L_Ft	28	No Bid	No Bid	No Bid
365	SPIPE 028	PIPE, PVC 8" SDR 26 GREEN GASKETED	L_Ft	112	No Bid	No Bid	No Bid
366	SPIPE 029	PIPE, PVC 10" SDR26 GREEN GASKETED	L_Ft	28	No Bid	No Bid	No Bid
367	SPIPE 030	PIPE, PVC 12" SDR26 GREEN GASKETED	L_Ft	28	No Bid	No Bid	No Bid
368	NA	Pipe, SDR 26, 18"	L_Ft	28	No Bid	No Bid	No Bid
369	NA	Pipe, PVC 6" SDR 35 GREEN GASKETED	L_Ft	28	No Bid	No Bid	No Bid
370	NA	Pipe, SDR 35, 10"	L_Ft	28	No Bid	No Bid	No Bid
371	NA	Pipe, SDR 35, 12"	L_Ft	28	No Bid	No Bid	No Bid
372	SPIPE 031	PIPE, PVC 8" SDR 35 GREEN GASKETED	L_Ft	108	No Bid	No Bid	No Bid
373	SPIPE033	Pipe, SDR 35, 18"	L_Ft	28	No Bid	No Bid	No Bid
374	SPIPE034	Pipe, SDR 35, 15"	L_Ft	28	No Bid	No Bid	No Bid
375	SPIPE035	Pipe, SDR 26, 15"	L_Ft	28	No Bid	No Bid	No Bid
376	4 HW SWR SDR26 GSKT CAP	CAP, 4HW SDR 26 Gasket Cap	EA	6	No Bid	No Bid	No Bid
377	6 HW SWR SDR26 GASKET CAP	CAP, 6HW SDR 26 Gasket Cap	EA	4	No Bid	No Bid	No Bid
378	6X4 HW SWR SDR26 WYE GXG	WYE 6x4 SDR 26, GxG	Ea	6	No Bid	No Bid	No Bid
PVC - SOLVENT WELD SOCKET - SCHEDULE 40							
379	NA	TEE, PVC, Sched 40, 4"	EA	2	No Bid	No Bid	No Bid

380	STEEES 001	TEE, PVC, Sched 40, 6"	EA	2	No Bid	No Bid	No Bid
381	SCPLNGS001	COUPLING, 4" PVC	EA	2	No Bid	No Bid	No Bid
382	SCPLNGS004	COUPLING, PVC 6"	EA	2	No Bid	No Bid	No Bid
383	SCPLNGS008	COUPLING, 8" PVC	EA	2	No Bid	No Bid	No Bid
384	SBENDS 001	BEND, 4" PVC 22 1/2 DEGREE	EA	10	No Bid	No Bid	No Bid
385	NA	BEND, 4" PVC 22 1/2 DEGREE, Street	EA	2	No Bid	No Bid	No Bid
386	SBENDS 003	BEND, 4" PVC 45 DEGREE	EA	6	No Bid	No Bid	No Bid
387	NA	BEND, 4" PVC 45 DEGREE, Street	EA	2	No Bid	No Bid	No Bid
388	SBENDS 005	BEND, 6" PVC 22 1/2 DEGREE	EA	2	No Bid	No Bid	No Bid
389	NA	BEND, 6" PVC 22 1/2 DEGREE, Street	EA	2	No Bid	No Bid	No Bid
390	SBENDS 008	BEND, 6" 45 DEGREE 1/8TH BEND/PVC	EA	2	No Bid	No Bid	No Bid
391	NA	BEND, 6" 45 DEGREE 1/8TH BEND/PVC, Street	EA	2	No Bid	No Bid	No Bid
392	NA	Cleanout, PVC, Sched 40, 4" Female body w/ cap	EA	2	No Bid	No Bid	No Bid
393	NA	Cleanout, PVC, Sched 40, 6" Female body w/ cap	EA	2	No Bid	No Bid	No Bid
394	NA	Wye, PVC, Sched 40, 4"	EA	2	No Bid	No Bid	No Bid
395	NA	Wye, PVC, Sched 40, 6"	EA	2	No Bid	No Bid	No Bid
COUPLINGS - ELASTOMERIC							
396	SCPLNG029	FERNCO 6" AC TO P	EA	2	No Bid	No Bid	No Bid
397	SCPLNG030	FERNCO 4X3 P TO P	EA	2	No Bid	No Bid	No Bid
398	SCPLNG031	FERNCO 10" P TO P	EA	2	No Bid	No Bid	No Bid
399	SCPLNG032	FERNCO 2" P TO P	EA	2	No Bid	No Bid	No Bid
400	SCPLNG033	FERNCO 15" CL TO P	EA	2	No Bid	No Bid	No Bid
401	SCPLNG034	FERNCO 15" X 15" CL X CI/PVC	EA	2	No Bid	No Bid	No Bid
402	SCPLNGS002	FERNCO 4"X4" C-C	EA	36	No Bid	No Bid	No Bid
403	SCPLNGS003	FERNCO 4", CLAY-CI/PLASTI	EA	12	No Bid	No Bid	No Bid
404	SCPLNGS005	FERNCO 6" X 6", C-C	EA	2	No Bid	No Bid	No Bid
405	SCPLNGS006	FERNCO 6", CLAY-PVC OR CI	EA	8	No Bid	No Bid	No Bid

406	SCPLNGS007	FERNCO 8"X8", CLAY-CLAY	EA	2	No Bid	No Bid	No Bid
407	SCPLNGS010	FERNCO 10" X 10" C-C	EA	2	No Bid	No Bid	No Bid
408	SCPLNGS011	FERNCO 10"CLAY-CI/PLASTI	EA	4	No Bid	No Bid	No Bid
409	SCPLNGS012	FERNCO 12", CLAY- CONCRETE	EA	2	No Bid	No Bid	No Bid
410	SCPLNGS013	FERNCO 15", CLAY-CLAY	EA	2	No Bid	No Bid	No Bid
411	SCPLNGS014	FERNCO 18" CLAY-CLAY	EA	2	No Bid	No Bid	No Bid
412	SCPLNGS015	FERNCO 27" CLAY-CLAY	EA	2	No Bid	No Bid	No Bid
413	SCPLNGS016	FERNCO 15", CLAY- CONCRETE	EA	2	No Bid	No Bid	No Bid
414	SCPLNGS017	FERNCO 12"X12"CLAY-CLAY	EA	2	No Bid	No Bid	No Bid
415	SCPLNGS018	Fernco 6"X 4" PVC-PVC OR CI-PVC	EA	2	No Bid	No Bid	No Bid
416	SCPLNGS019	FERNCO 12"X12"CONC- CONC	EA	2	No Bid	No Bid	No Bid
417	SCPLNGS020	FERNCO 4"X4" PVC-PVC	EA	2	No Bid	No Bid	No Bid
418	SCPLNGS021	FERNCO 8"X8" CLAY-CI/PVC	EA	28	No Bid	No Bid	No Bid
419	SCPLNGS022	FERNCO 15"X15"CONC- CONC	EA	2	No Bid	No Bid	No Bid
420	SCPLNGS023	FERNCO 12"X12"	EA	2	No Bid	No Bid	No Bid
421	SCPLNGS024	FERNCO 24"X24"CLAY-CLAY	EA	2	No Bid	No Bid	No Bid
422	SCPLNGS025	FERNCO 6"X4"C-CI/PVC	EA	2	No Bid	No Bid	No Bid
423	SCPLNGS026	FERNCO 6"X5"C-CI/PVC	EA	2	No Bid	No Bid	No Bid
424	SCPLNGS027	FERNCO 12"X12"C-CI/P	EA	2	No Bid	No Bid	No Bid
425	SCPLNGS028	FERNCO 8"X8"CI/PVC- CI/PVC	EA	2	No Bid	No Bid	No Bid
426	SPLUGS 001	4" EXPANDABLE PLUG - CHERNE 49929	EA	8	No Bid	No Bid	No Bid
Dual Wall Pipe - Storm Drainage - N12 with Bell and Spigot Water Tight Ends or Equal							
427	SPIPE 026	PIPE, N-12 10" RIBBED BLACK PLASTIC	L_Ft	1	No Bid	No Bid	No Bid
428	SPIPE 024	12"x 20" - ADS #12650020IB	L_Ft	1	No Bid	No Bid	No Bid
429	SPIPE 025	15"x 20" - ADS #15650020IB	L_Ft	1	No Bid	No Bid	No Bid
430	NA	18"x 20" - ADS #18650020IB	L_Ft	1	No Bid	No Bid	No Bid
431	SPIPE 027	24"x 20" - ADS #24650020IB	L_Ft	1	No Bid	No Bid	No Bid

Dual Wall Pipe Couplers - Storm Drainage - N-12 Split Band Couplers									
432	NA	12" - ADS #1265AA	EA	1	No Bid	No Bid	No Bid	No Bid	No Bid
433	NA	15" - ADS #1565AA	EA	1	No Bid	No Bid	No Bid	No Bid	No Bid
434	NA	18" - ADS #1865AA	EA	1	No Bid	No Bid	No Bid	No Bid	No Bid
435	NA	24" - ADS #2411AA	EA	1	No Bid	No Bid	No Bid	No Bid	No Bid
N-12 Dual Wall Adapter Fitting									
436	NA	12" - ADS #1221AN	EA	1	No Bid	No Bid	No Bid	No Bid	No Bid
437	NA	15" - ADS #1521AN	EA	1	No Bid	No Bid	No Bid	No Bid	No Bid
438	NA	18" - ADS #1821AN	EA	1	No Bid	No Bid	No Bid	No Bid	No Bid
439	NA	24" - ADS #2421AN	EA	1	No Bid	No Bid	No Bid	No Bid	No Bid
N-12 Flared-End Sections									
440	NA	12" - 15" - ADS #1215NP	EA	1	No Bid	No Bid	No Bid	No Bid	No Bid
441	NA	18" - ADS #1810NP	EA	1	No Bid	No Bid	No Bid	No Bid	No Bid
442	NA	24" - ADS #2410NP	EA	1	No Bid	No Bid	No Bid	No Bid	No Bid
Unlisted Sewer and Drainage Pipe and Fittings Percent Discount from List Price			N/A %		GROUP 14 SUBTOTAL				
					No Bid				

GROUP 15: NYLOPLAST STRUCTURES							
ITEM	MATERIAL UID	DESCRIPTION	UNIT	ESTIMATED QUANTITY	UNIT COST	TOTAL COST	BRAND QUOTED
443	BASIN_24", 5' TALL, 12" N12 STUB, 2' SUMP	24"x5' - ADS #3024AGS5	EA	4	No Bid	No Bid	No Bid
444	24" BASIN, 6' TALL, 12" N12 STUB, 2' SUMP		EA	6	No Bid	No Bid	No Bid
445	24" BASIN, 7' TALL, 12" N12 STUB, 2' SUMP	24"x7' - ADS #3024AGS7	EA	10	No Bid	No Bid	No Bid
446	NA	36"x5' - ADS #3036AGR5	EA	1	No Bid	No Bid	No Bid
447	NA	36"x7' - ADS #3036AGR7	EA	1	No Bid	No Bid	No Bid
Unlisted Nyloplast Structures Percent Discount from List Price						GROUP 15 SUBTOTAL	No Bid
					N/A %		

GROUP 16: MISCELLANEOUS PARTS AND MATERIALS							
ITEM	MATERIAL UID	DESCRIPTION	UNIT	ESTIMATED QUANTITY	UNIT COST	TOTAL COST	BRAND QUOTED
448	SSADDLE005	EPOXY KIT FOR 6"FAST-FIT TAP SADDLE	EA	10	No Bid	No Bid	No Bid
449	SSADDLE006	TAP SADDLE, 4" FAST-FIT	EA	10	No Bid	No Bid	No Bid
450	SSADDLE007	TAP SADDLE, 4"UNIVERSAL, CI AND PVC	EA	14	No Bid	No Bid	No Bid
451	SSADDLE009	TAP SADDLE, 6" FAST-FIT	EA	2	No Bid	No Bid	No Bid
452	SMISC 001	Cement	bag	350	No Bid	No Bid	No Bid
453	SMISC 002	SPEEDCRETE RED LINE	bag	190	No Bid	No Bid	No Bid
454	SMISC 003	PRECO (THOROC PATCH)	bag	10	No Bid	No Bid	No Bid
455	SMISC 004	Brick - Concrete	EA	1600	No Bid	No Bid	No Bid
456	SMISC 007	BLOCK, MANHOLE 2ft (6" X 2ft)	EA	800	No Bid	No Bid	No Bid
457	SMISC 009	BLOCK, 1"X 8"X16" CONCRETE SOAP	EA	300	No Bid	No Bid	No Bid
458	SMISC 010	BLOCK, 4" X 8" X 16"	EA	40	No Bid	No Bid	No Bid
459	SMISC 011	BLOCK,BUILDING 8"X8"X16" 2CORE	EA	200	No Bid	No Bid	No Bid
460	SMISC 012	LINTEL, 8" X 8" X 3ft 4"	EA	5	No Bid	No Bid	No Bid
461	SMISC 016	BLOCK, 2" X 8" X 16" CONCRETE SOAP	EA	200	No Bid	No Bid	No Bid
Unlisted Miscellaneous Parts and Materials Percent Discount from List Price						GROUP 16 SUBTOTAL	No Bid
							N/A %

GENERAL CONDITIONS

ESTIMATED QUANTITIES

Quantities stated are estimated and not guaranteed. The quantities stated will be used for award purposes only and are based up an average of actual annual usage.

Should the supplier's pricing change based on varying quantities ordered at any one time (i.e. single unit, box or bulk purchase), documentation shall be attached to the bid showing the price differences.

DELIVERY

Materials are F.O.B. delivered, freight paid, to the City of Ann Arbor Wheeler Service Center at 4251 Stone School Road, Ann Arbor, MI 48108, unless the City elects to pick up the materials at bidder's location.

APPROVED ALTERNATES

The City's designated representative will review all items submitted for consideration as approved alternates. Their decision as to acceptability will be deemed in the City of Ann Arbor's best interest and will be final.

DOWN PAYMENTS

Any bid proposal submitted which requires a down payment or prepayment of any kind prior to delivery and acceptance of the item, as being in conformance with the specifications will not be considered for award.

PURCHASE ORDER

The successful bidder will be issued a purchase order from the City of Ann Arbor, which will create a bilateral contract between the City and the successful bidder. The purchase order shall commit the bidder to perform the contract in accordance with the specifications and the terms and conditions of the purchase order.

The terms and conditions of the Purchase Order are provided herein.

CONTRACT TERM

The pricing provided for this ITB shall be firm for two (2) years.

City of Ann Arbor: General Terms and Conditions

The following General Terms and Conditions shall apply to all purchases by or on behalf of the City of Ann Arbor unless specifically provided otherwise on the front of this Document:

Tax Exemption: The City of Ann Arbor is tax exempt, ID# 38-6004534.

Acceptance of Contract: This order is the City's contract to purchase the goods and services described on the reverse front side of this document from the Vendor. The City's placement of this order is expressly conditioned upon the Vendor's acceptance of all the terms and conditions of purchase contained on or attached to this purchase order. All specifications, drawings, and data submitted to the Vendor with this order are hereby incorporated and made part hereof.

Amendments: No agreement or understanding to modify this contract shall be binding upon the City unless in writing and signed by the City's authorized agent.

Delivery: All prices must be F.O.B. delivery point. Time is of the essence on this contract. If delivery dates cannot be met, the Vendor agrees to advise the City, in writing of the earliest possible shipping date. The City reserves the right to cancel or purchase elsewhere and hold the Vendor accountable.

Risk of Loss: Regardless of F.O.B. point, the Vendor agrees to bear all risk of loss, injury, or destruction of goods and materials ordered herein which may for any reason occur prior to delivery or acceptance by the City, whichever is later. No such loss, injury, or destruction shall release the Vendor from any obligations hereunder.

Inspection: Goods and materials must be properly packaged. Damaged goods and materials will not be accepted. The City reserves the right to inspect the goods at a reasonable time subsequent to delivery where circumstances or conditions prevent effective inspection of the goods at the time of delivery. All rejected goods shall be returned to the Vendor at no cost to the City, whether the damage is readily apparent at the time of delivery or later. The City's acceptance is conditioned on such inspection.

Patents and Copyrights: If an article sold and delivered to the City hereunder shall be protected by any applicable patent or copyright, the Vendor agrees to indemnify and save harmless the City, from and against any and all suits, claims, judgments, and costs instituted or recovered against it by any person whomsoever on account of the use or sale of such articles by the City in violation or right under such patent or copyright.

Uniform Commercial Code: All applicable portions of the Michigan Uniform Commercial Code shall govern contracts for goods with the City of Ann Arbor; except as modified by contract documents.

Non-waiver of Rights: No failure of either party to exercise any power given to it hereunder or to insist upon strict compliance by the other party with its obligations hereunder, and no custom or practice of the parties at variance with the terms hereof, nor any payment under this agreement shall constitute a waiver of either party's right to demand exact compliance with the terms hereof.

Material Safety Data Sheets: Applicable Material Safety Data Sheets, in compliance with OSHA/MIOSHA hazard communication regulations/standards, must be provided by the Vendor to the City at the time of purchase.

Assignments: The Vendor agrees not to assign or transfer this contract or any part thereof without the written consent of the City of Ann Arbor, acting through its authorized representative. Any unauthorized assignment may subject the contractor to immediate termination.

Laws Governing, Severability: This contract shall be governed by and construed according to the laws of the State of Michigan. Vendor agrees to submit to the jurisdiction and venue of the Circuit Court of Washtenaw County, MI, or if original jurisdiction is established, the U.S. District Ct. for Eastern District of MI, Southern Division. The Vendor stipulates venues referenced are convenient and waives any claim of non-convenience. If any term herein is found to be ineffective, unenforceable or illegal under any present or future laws, such term shall be fully severable, and the remaining terms shall not be affected and shall remain full force and effect.

Prevailing Wage: It shall be the responsibility of the Vendor to comply, when applicable, with the prevailing wage requirements and/or the Davis-Bacon Act as amended.

Living Wage: It shall be the responsibility of the Vendor to comply, when applicable, with the City of Ann Arbor's Living Wage Ordinance as defined in Chapter 23, Section 1:811-1:821.

Non-Discrimination: It shall be the responsibility of the Vendor to comply, when applicable, with, all State, Federal and Local non-discrimination laws, including MCL 37.2209 and Section 9:158 of the City Code.

Indemnification: To the fullest extent permitted by law the Vendor shall indemnify, defend and hold the City, its officers, employees and agents harmless from all suits, claims, judgments and expenses including attorney's fees resulting or alleged to result from any act or omission, associated with the performance of this contract by the Vendor or anyone acting on the Vendor's behalf under this contract. The Vendor shall not be responsible to indemnify the City for losses or damages caused by or resulting from the City's sole negligence. This indemnity survives delivery and acceptance of the Vendor's goods and services.

Warranty: The Vendor warrants to the City that all goods and services furnished hereunder will conform in all respects to the terms of this contract, including any drawings, specifications and standards incorporated herein. In addition, the Vendor warrants the goods and services are suitable for and will perform in accordance with the purposes for which they were intended.

Payment Terms: The City of Ann Arbor's payment terms are net 30. The payment date will be calculated based on the invoice receipt date or delivery date, whichever is later.

Payments: All invoices for goods and services shall be emailed to accountspayable@a2gov.org. Mailed invoices shall be addressed to the City of Ann Arbor, Accounts Payable, P.O. Box 8647, Ann Arbor, MI 48107, as indicated on the front of this purchase order. Invoices must include the Vendor's name, phone number, and clearly listed item descriptions, quantities and units of measure. The Vendor acknowledges and understands that invoices not addressed as stated above shall have the net 30 begin once the invoice is received by Accounts Payable.

Compliance with Laws: The Vendor certifies that in performing this contract it will comply with all applicable provisions of Federal, State and Local laws, regulations, rules and orders.

Termination for Cause: In the event the Vendor fails, at any time, to comply with, fully perform or strictly adhere to any covenant, condition or representation contained within the contract, the City shall have the right to give written notice to Vendor of such failure. If such failure is not cured to the City's satisfaction within ten (10) business days from the time of delivery to Vendor of such notice, the City shall have the right to terminate immediately without the requirement of a further notice.



Vendor Conflict of Interest Disclosure Form

All vendors interested in conducting business with the City of Ann Arbor must complete and return the Vendor Conflict of Interest Disclosure Form in order to be eligible to be awarded a contract. Please note that all vendors are subject to comply with the City of Ann Arbor's conflict of interest policies as stated within the certification section below.

If a vendor has a relationship with a City of Ann Arbor official or employee, an immediate family member of a City of Ann Arbor official or employee, the vendor shall disclose the information required below.

1. No City official or employee or City employee's immediate family member has an ownership interest in vendor's company or is deriving personal financial gain from this contract.
2. No retired or separated City official or employee who has been retired or separated from the City for less than one (1) year has an ownership interest in vendor's Company.
3. No City employee is contemporaneously employed or prospectively to be employed with the vendor.
4. Vendor hereby declares it has not and will not provide gifts or hospitality of any dollar value or any other gratuities to any City employee or elected official to obtain or maintain a contract.
5. Please note any exceptions below:

Conflict of Interest Disclosure*	
Name of City of Ann Arbor employees, elected officials or immediate family members with whom there may be a potential conflict of interest.	<input type="checkbox"/> Relationship to employee <input type="checkbox"/> Interest in vendor's company <input type="checkbox"/> Other (please describe in box below)

*Disclosing a potential conflict of interest does not disqualify vendors. In the event vendors do not disclose potential conflicts of interest and they are detected by the City, vendor will be exempt from doing business with the City.

I certify that this Conflict of Interest Disclosure has been examined by me and that its contents are true and correct to my knowledge and belief and I have the authority to so certify on behalf of the Vendor by my signature below:		
EJ USA, Inc.	1-800-874-4100	
Vendor Name	Vendor Phone Number	
	5/14/20	
Signature of Vendor Authorized Representative	Date	Printed Name of Vendor Authorized Representative

**CITY OF ANN ARBOR
DECLARATION OF COMPLIANCE**

Non-Discrimination Ordinance

The "non discrimination by city contractors" provision of the City of Ann Arbor Non-Discrimination Ordinance (Ann Arbor City Code Chapter 112, Section 9:158) requires all contractors proposing to do business with the City to treat employees in a manner which provides equal employment opportunity and does not discriminate against any of their employees, any City employee working with them, or any applicant for employment on the basis of actual or perceived age, arrest record, color, disability, educational association, familial status, family responsibilities, gender expression, gender identity, genetic information, height, HIV status, marital status, national origin, political beliefs, race, religion, sex, sexual orientation, source of income, veteran status, victim of domestic violence or stalking, or weight. It also requires that the contractors include a similar provision in all subcontracts that they execute for City work or programs.

In addition the City Non-Discrimination Ordinance requires that all contractors proposing to do business with the City of Ann Arbor must satisfy the contract compliance administrative policy adopted by the City Administrator. A copy of that policy may be obtained from the Purchasing Manager

The Contractor agrees:

- (a) To comply with the terms of the City of Ann Arbor's Non-Discrimination Ordinance and contract compliance administrative policy, including but not limited to an acceptable affirmative action program if applicable.
- (b) To post the City of Ann Arbor's Non-Discrimination Ordinance Notice in every work place or other location in which employees or other persons are contracted to provide services under a contract with the City.
- (c) To provide documentation within the specified time frame in connection with any workforce verification, compliance review or complaint investigation.
- (d) To permit access to employees and work sites to City representatives for the purposes of monitoring compliance, or investigating complaints of non-compliance.

The undersigned states that he/she has the requisite authority to act on behalf of his/her employer in these matters and has offered to provide the services in accordance with the terms of the Ann Arbor Non-Discrimination Ordinance. The undersigned certifies that he/she has read and is familiar with the terms of the Non-Discrimination Ordinance, obligates the Contractor to those terms and acknowledges that if his/her employer is found to be in violation of Ordinance it may be subject to civil penalties and termination of the awarded contract.

EJ USA, Inc
Company Name

 5/14/20
Signature of Authorized Representative Date

Thomas M. Teske, Vice President & General Manager
Print Name and Title

301 Spring Street, PO Box 439, East Jordan, MI 49727
Address, City, State, Zip

1-800-874-4100 us.bids@ejco.com
Phone/Email Address

Questions about the Notice or the City Administrative Policy, Please contact:
Procurement Office of the City of Ann Arbor
(734) 794-6500

CITY OF ANN ARBOR NON-DISCRIMINATION ORDINANCE

Relevant provisions of Chapter 112, Nondiscrimination, of the Ann Arbor City Code are included below.
You can review the entire ordinance at www.a2gov.org/humanrights.

Intent: It is the intent of the city that no individual be denied equal protection of the laws; nor shall any individual be denied the enjoyment of his or her civil or political rights or be discriminated against because of actual or perceived age, arrest record, color, disability, educational association, familial status, family responsibilities, gender expression, gender identity, genetic information, height, HIV status, marital status, national origin, political beliefs, race, religion, sex, sexual orientation, source of income, veteran status, victim of domestic violence or stalking, or weight.

Discriminatory Employment Practices: No person shall discriminate in the hire, employment, compensation, work classifications, conditions or terms, promotion or demotion, or termination of employment of any individual. No person shall discriminate in limiting membership, conditions of membership or termination of membership in any labor union or apprenticeship program.

Discriminatory Effects: No person shall adopt, enforce or employ any policy or requirement which has the effect of creating unequal opportunities according to actual or perceived age, arrest record, color, disability, educational association, familial status, family responsibilities, gender expression, gender identity, genetic information, height, HIV status, marital status, national origin, political beliefs, race, religion, sex, sexual orientation, source of income, veteran status, victim of domestic violence or stalking, or weight for an individual to obtain housing, employment or public accommodation, except for a bona fide business necessity. Such a necessity does not arise due to a mere inconvenience or because of suspected objection to such a person by neighbors, customers or other persons.

Nondiscrimination by City Contractors: All contractors proposing to do business with the City of Ann Arbor shall satisfy the contract compliance administrative policy adopted by the City Administrator in accordance with the guidelines of this section. All city contractors shall ensure that applicants are employed and that employees are treated during employment in a manner which provides equal employment opportunity and tends to eliminate inequality based upon any classification protected by this chapter. All contractors shall agree not to discriminate against an employee or applicant for employment with respect to hire, tenure, terms, conditions, or privileges of employment, or a matter directly or indirectly related to employment, because of any applicable protected classification. All contractors shall be required to post a copy of Ann Arbor's Non-Discrimination Ordinance at all work locations where its employees provide services under a contract with the city.

Complaint Procedure: If any individual believes there has been a violation of this chapter, he/she may file a complaint with the City's Human Rights Commission. The complaint must be filed within 180 calendar days from the date of the individual's knowledge of the allegedly discriminatory action or 180 calendar days from the date when the individual should have known of the allegedly discriminatory action. A complaint that is not filed within this timeframe cannot be considered by the Human Rights Commission. To file a complaint, first complete the complaint form, which is available at www.a2gov.org/humanrights. Then submit it to the Human Rights Commission by e-mail (hrc@a2gov.org), by mail (Ann Arbor Human Rights Commission, PO Box 8647, Ann Arbor, MI 48107), or in person (City Clerk's Office). For further information, please call the commission at 734-794-6141 or e-mail the commission at hrc@a2gov.org.

Private Actions For Damages or Injunctive Relief: To the extent allowed by law, an individual who is the victim of discriminatory action in violation of this chapter may bring a civil action for appropriate injunctive relief or damages or both against the person(s) who acted in violation of this chapter.

THIS IS AN OFFICIAL GOVERNMENT NOTICE AND
MUST BE DISPLAYED WHERE EMPLOYEES CAN READILY SEE IT.