

target

CANOPY ABOVE

A

1'-5"

3"

2'-7<sup>3</sup>/<sub>4</sub>"

1'-5"

A

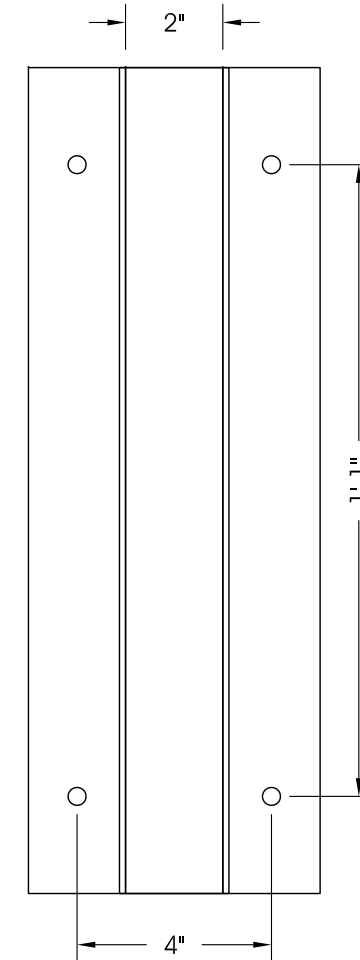
1/4" TH. ALUMINUM MOUNTING FLATBAR

1/4" X 6" TOGGLE BOLT (4) REQUIRED

MIN. 1/2" SUBSTRATE ON STRUCTURAL WALL STUDS

2" X 2" X 1/8" ALUM. TUBE w/ .125" ALUM. SHEET FRONT & BACK

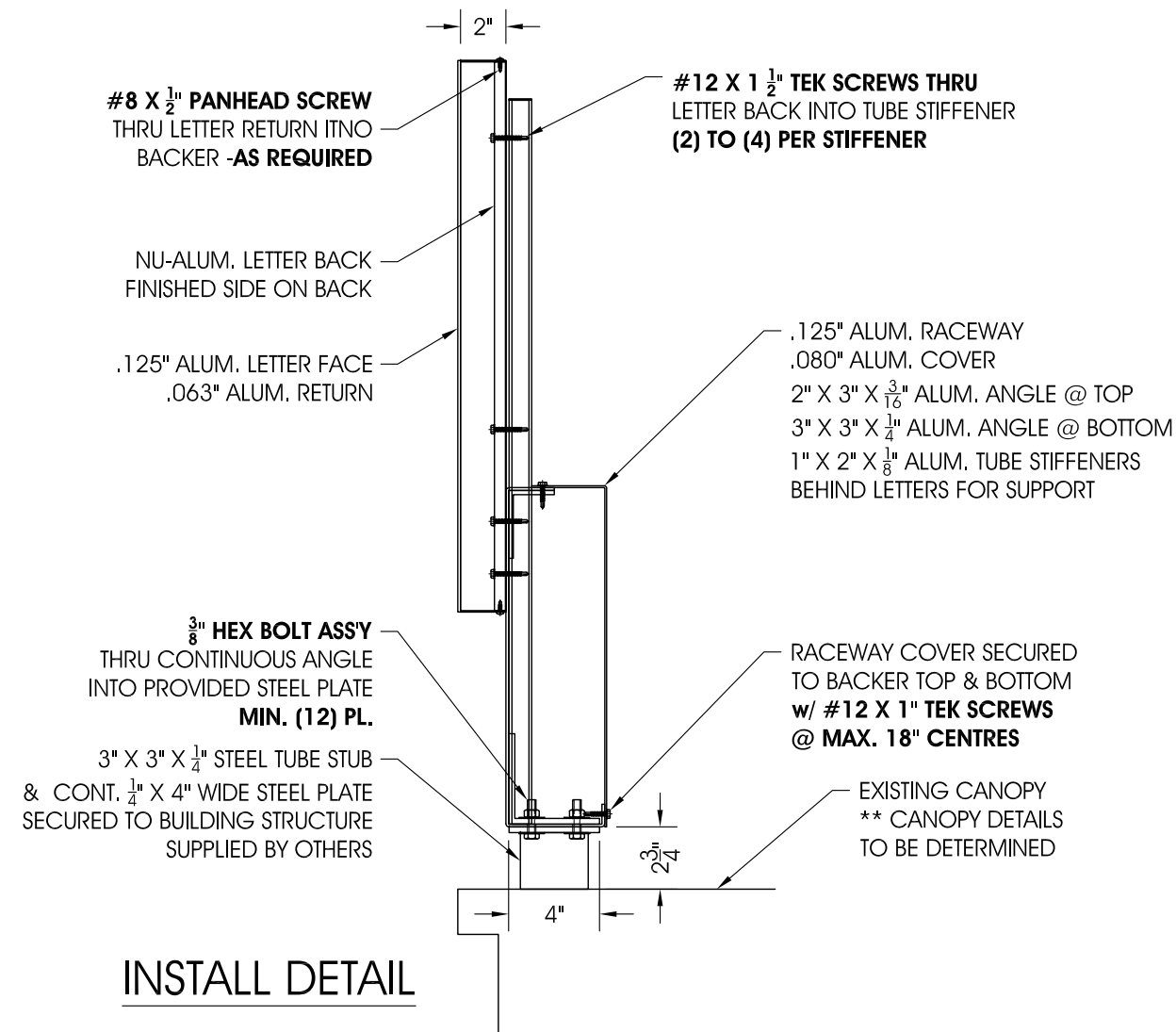
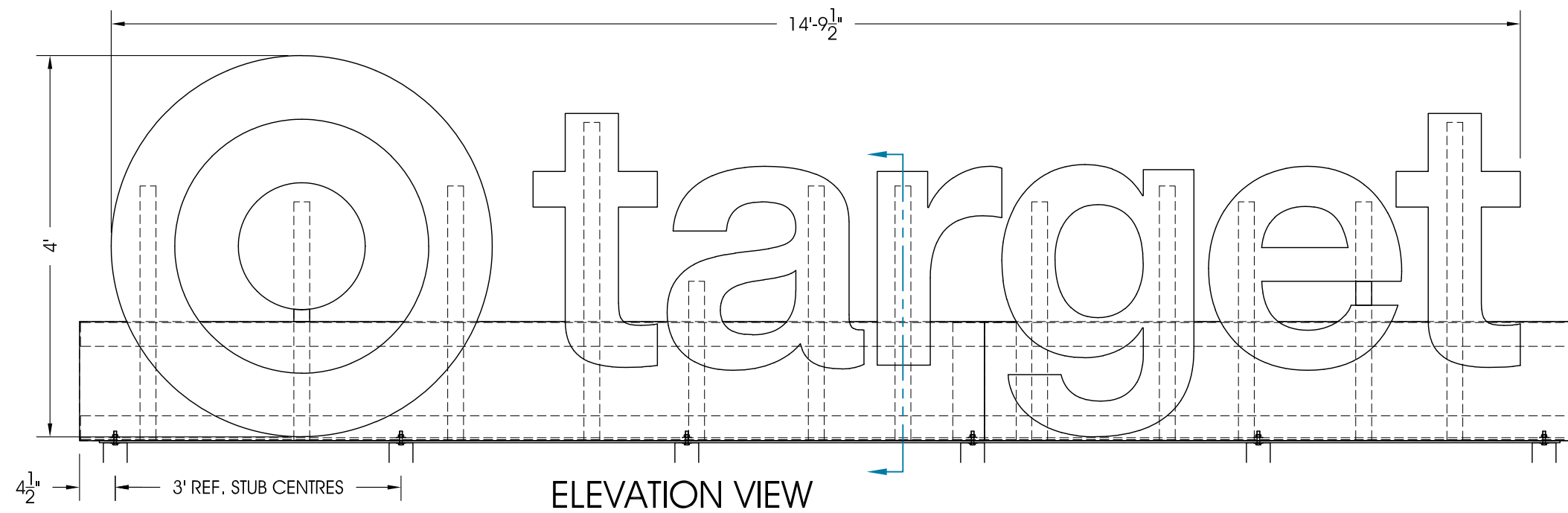
INSTALL DETAIL



SECTION A-A

NON-ILLUM'D BLADE SIGN

UL REQUIREMENTS: SIGN PROGRAM:	ENVIRONMENTAL LOCATION: DISCONNECT SWITCH:
SERIAL NUMBER:	MFG DATE:
MANUFACTURER TECHNICAL REPRESENTATIVE:	
00 RELEASED FOR APPROVAL	S. POWER 13-Jan-21
CUT FILE:	WEIGHT: 17 LBS.

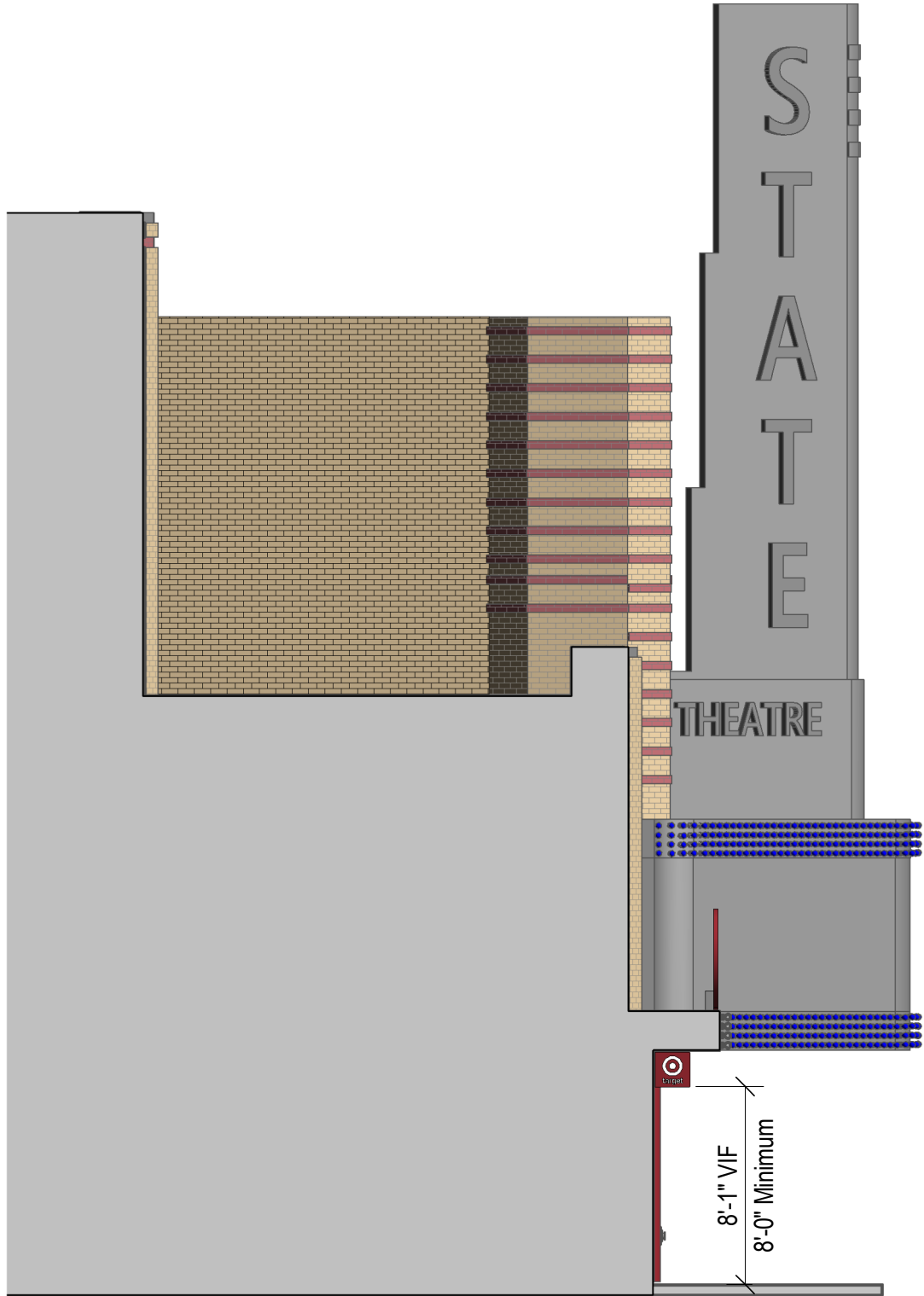


<b>NON-ILLUM'D REVERSE LETTERS ON RACEWAY</b>	
UL REQUIREMENTS: SIGN PROGRAM:	ENVIRONMENTAL LOCATION: DISCONNECT SWITCH:
SERIAL NUMBER: MANUFACTURER TECHNICAL REPRESENTATIVE:	MFG DATE: S. POWER 13-Jan-21
00 RELEASED FOR APPROVAL	WEIGHT: 378 LBS.
CUT FILE:	

**TARGET**

231 South State Street  
Ann Arbor, MI

DRAWN BY: S. POWER 13-Jan-21  
CHECKED BY:  
AMP DRAW:



# 231 S. State Street, Application Number HDC21-001

## Canopy Photos



















