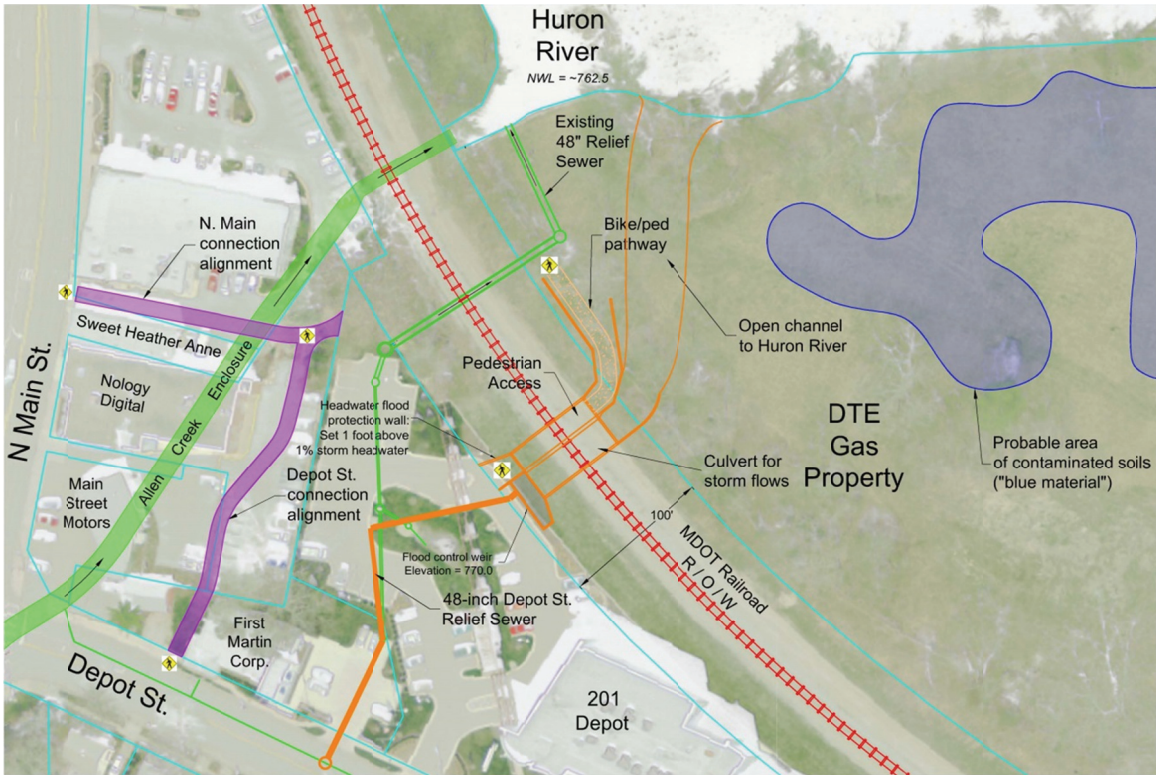
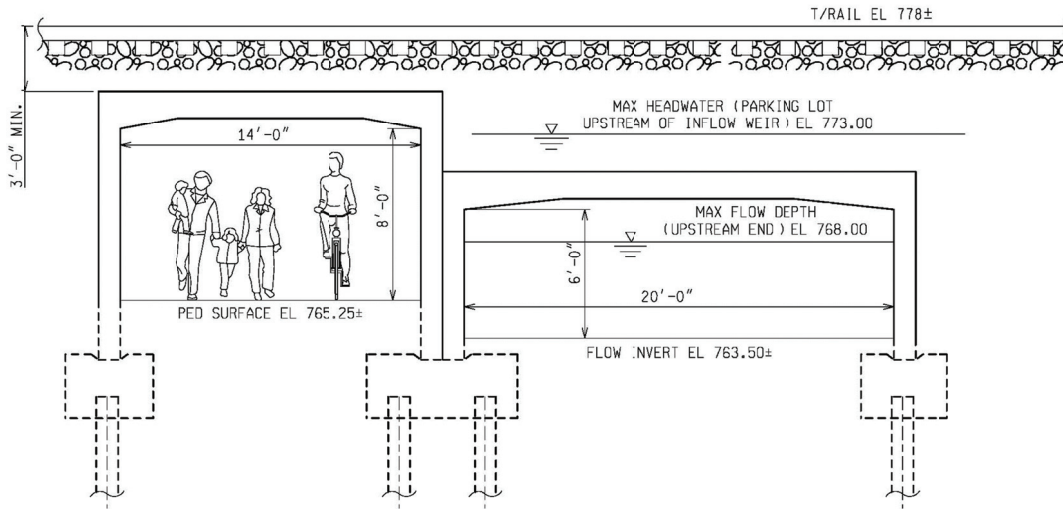


# Allen Creek Railroad Berm Opening Project Preferred Alternative



**Figure 14**  
**Preferred Alternative**



**Figure 15**  
**Preferred Alternative – Culvert Cross Section**