

Existing conditions in Backyard

- Previous owners put IKEA Outdoor Flooring Tiles directly on the grass soil. Uneven and rotten
- Current gazebo (8' x 8') is temporary (not permanently attached)

Backyard Picture 1:



Backyard Picture 2:

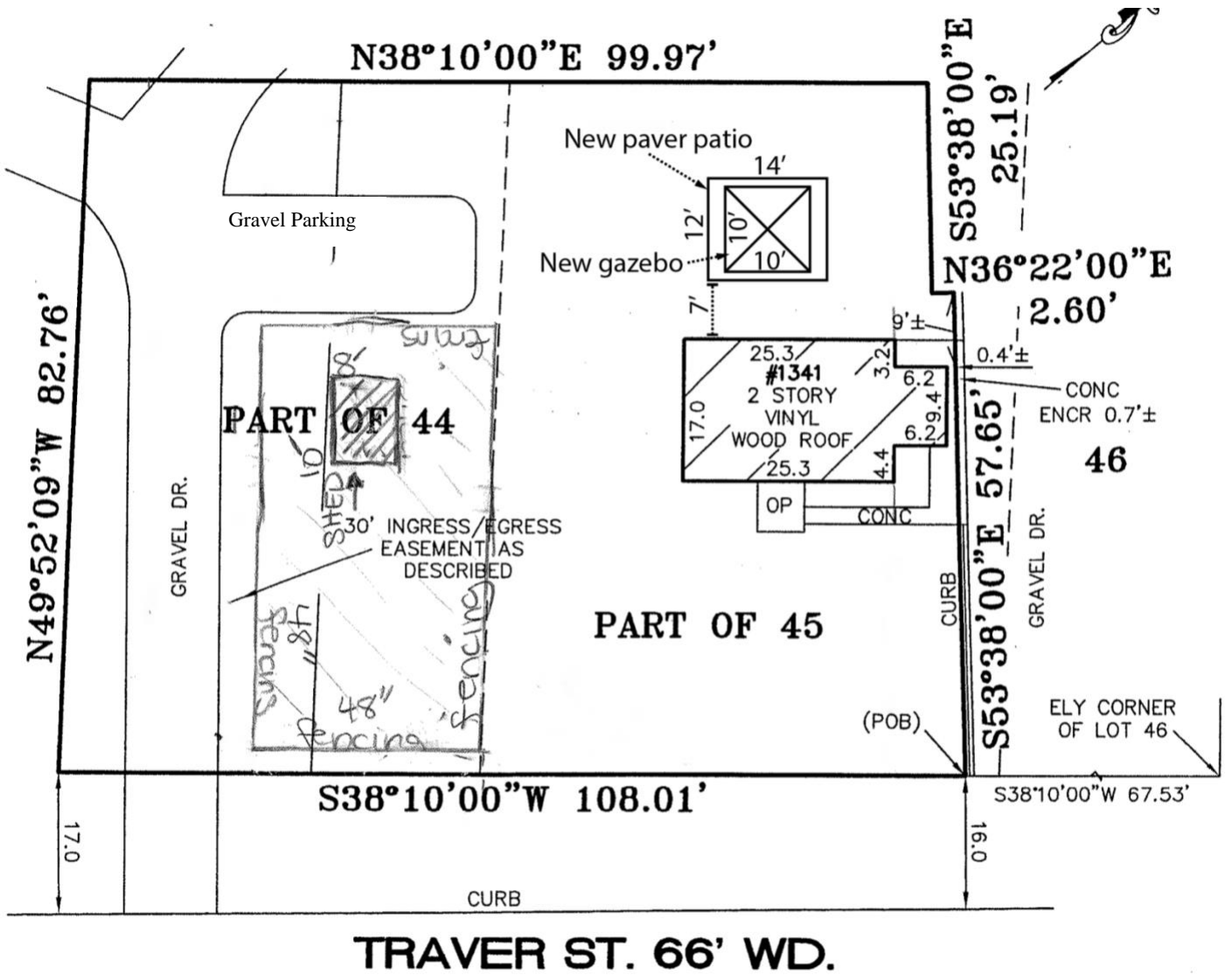


Backyard Picture 3:



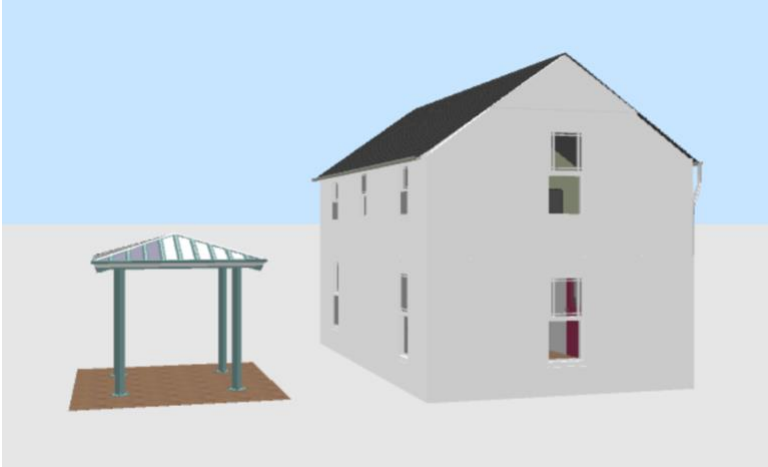
Plot plan of lot 1341 Traver Road

- New paver patio and gazebo in top right corner



3D Model of backyard and house

View 1:



View 2:



View 3:



Information on the Paver Patio

Overall dimensions: 14' L x 12' W (7' detached from house)

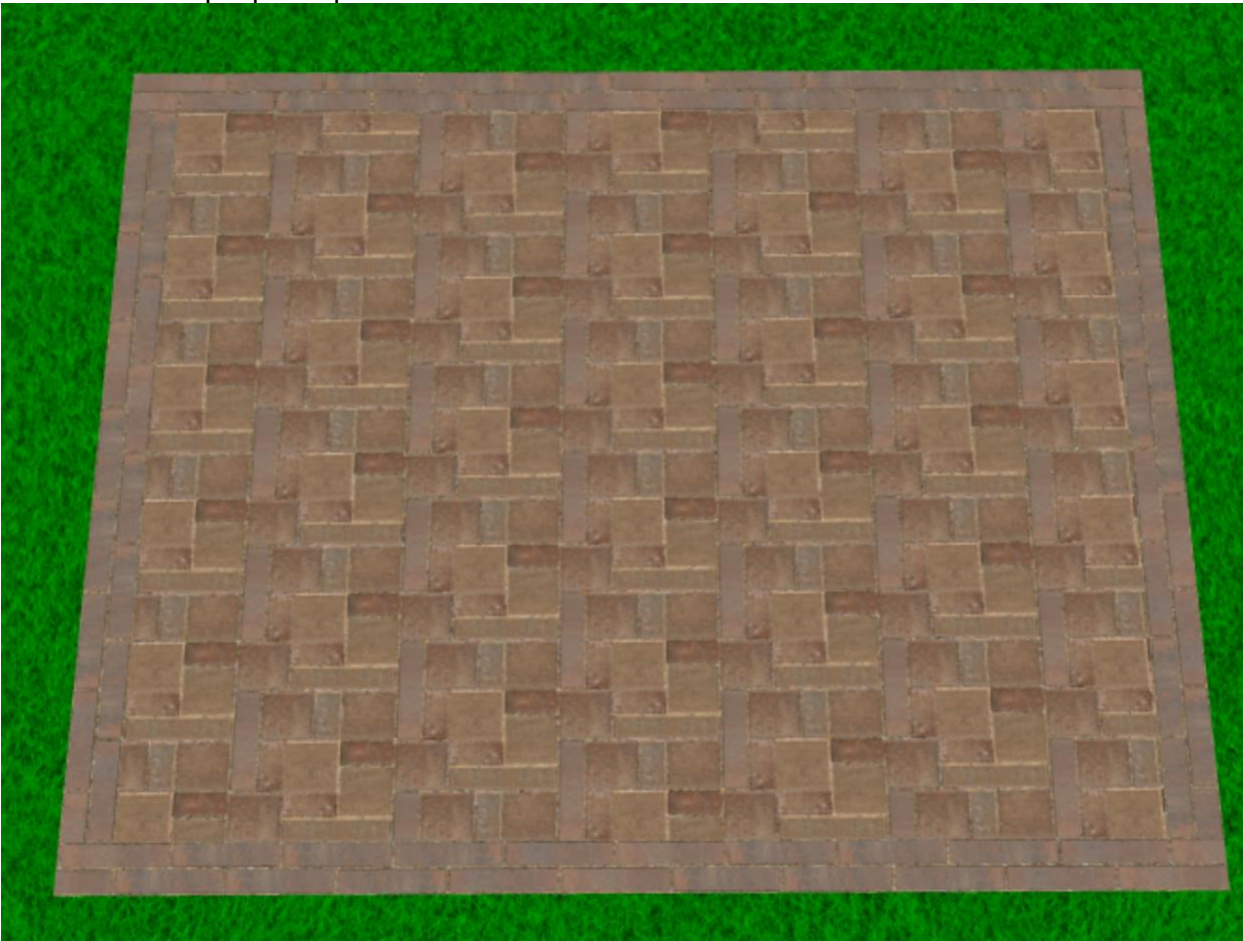
Materials:

- "Holland" pavers constructed from high quality concrete
- Colors: Sienna, Autumn Blend, Red Black
- Paver dimensions: 4" x 8", 8" x 8", and 4" x 16" (nominal thickness: 2-3/8 ")
- Border pattern: Running Bond 4" x 16" (2 rows)
- Paver base: Brock® PaverBase® panels

Picture Holland paver (4" x 8"):



Picture of example paver pattern "Holland Waal"



Information on the Gazebo

- Yardistry 10' x 10' Meridian Gazebo Kit (<https://www.yardistrystructures.com/10-x-10-meridian-gazebo-kit/>)
- Materials: Cedar lumber (finished in a natural cedar stain) & aluminum roof (neutral coffee brown roof)
- Overall dimensions: 9' 11" L x 9' 11" W x 9' 4" H

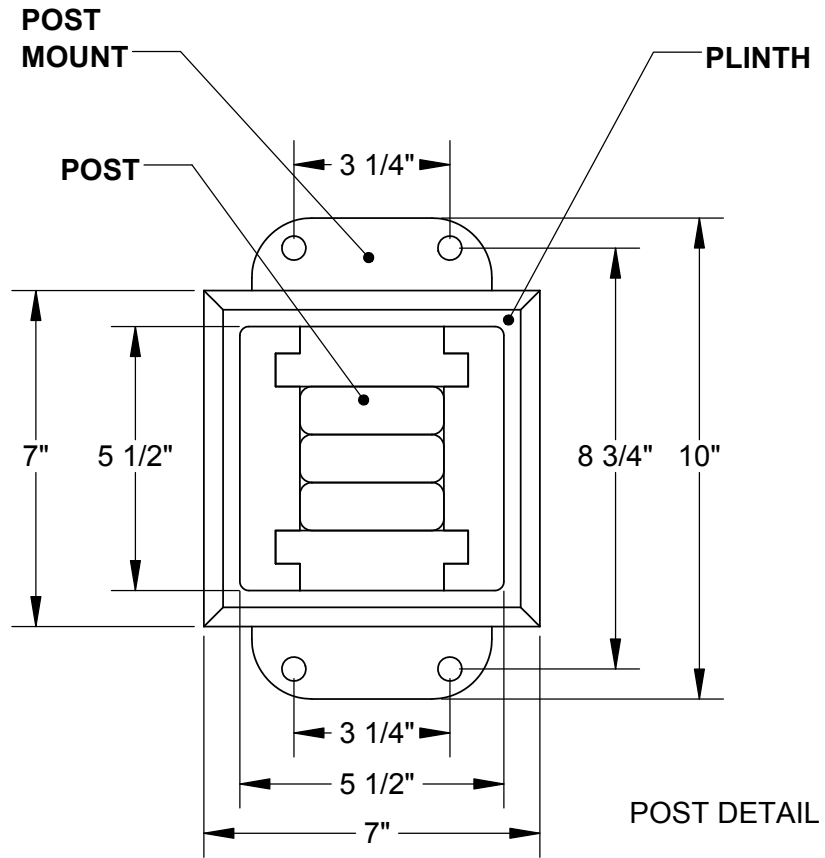
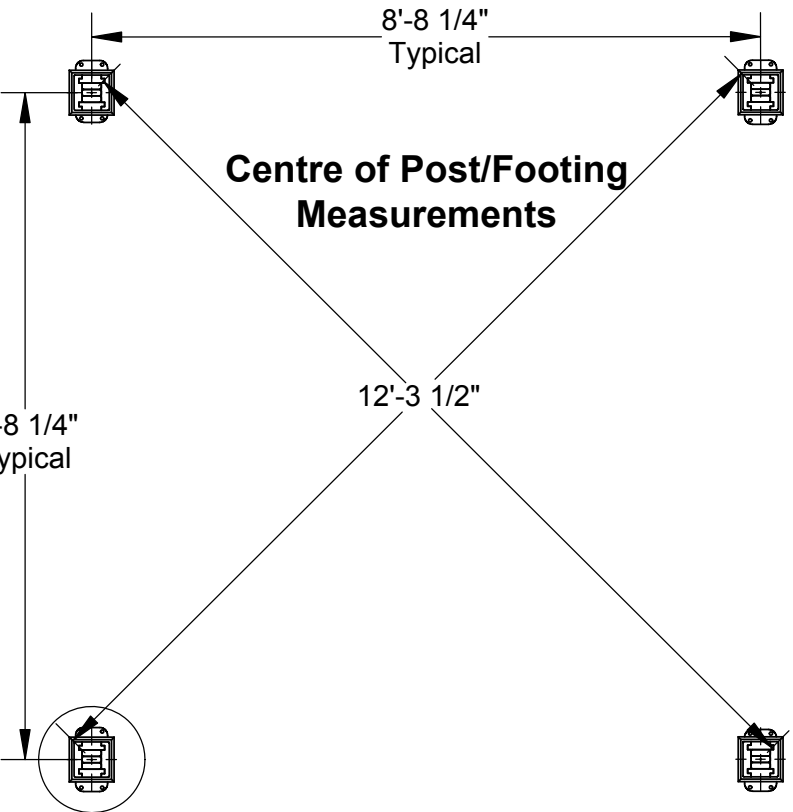
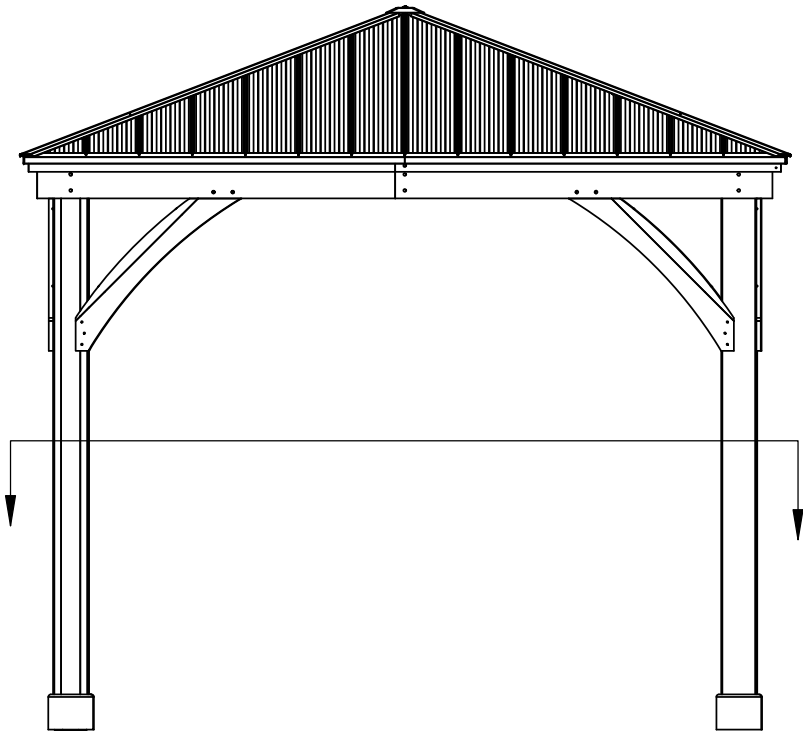
Gazebo Picture 1:



Gazebo Picture 2:



10' x 10' Meridian Gazebo YM11756



Dimensions

Base Dimensions: 9' 2" L x 9' 2" W

Overall Dimensions: 9' 11" L x 9' 11" W x 9' 4" H

