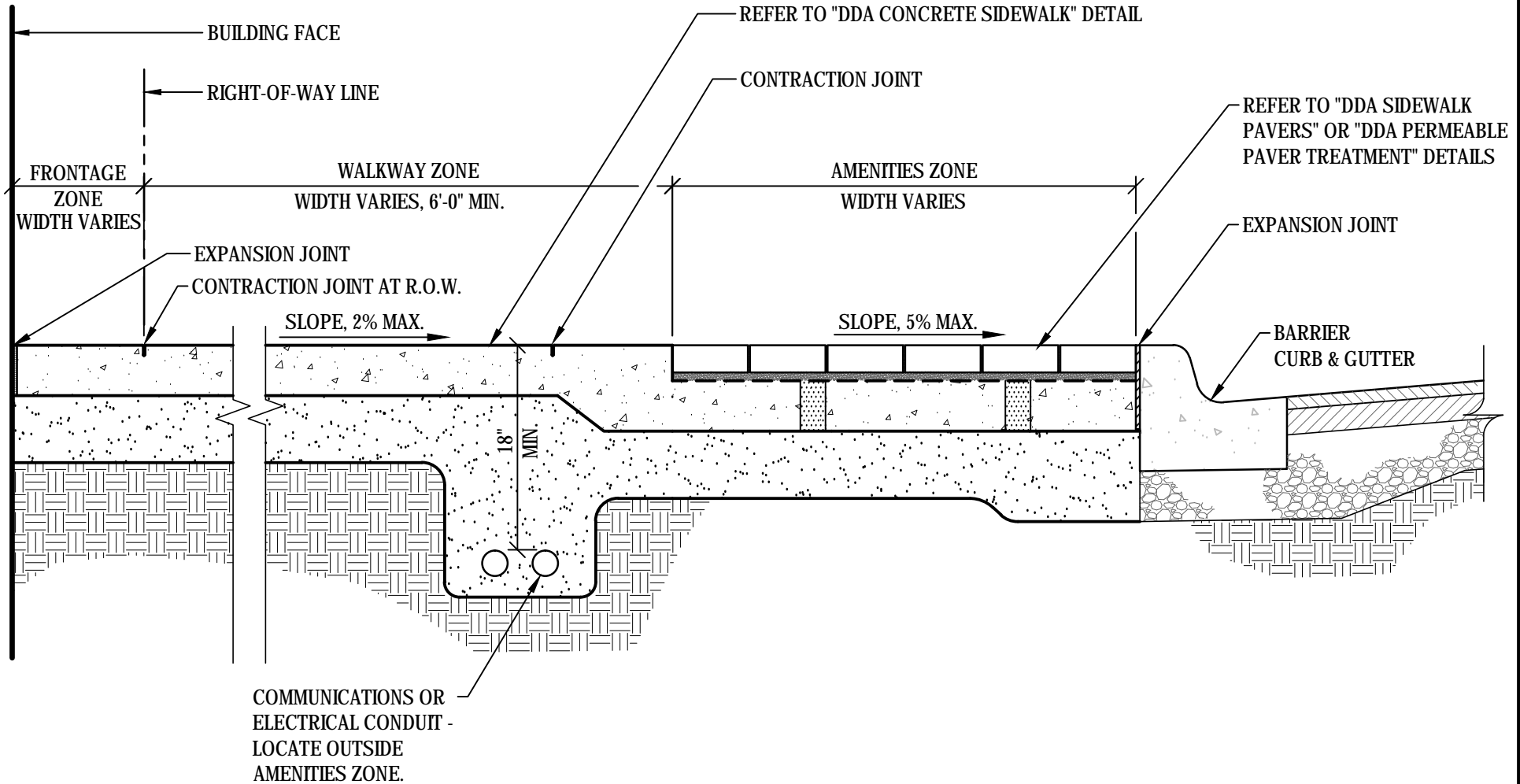


NOTES:

1. REFER TO SITE PLAN FOR PROJECT SPECIFIC TYPES & LIMITS OF SURFACE MATERIALS.
2. CROSS SLOPES IN AMENITIES ZONE SHALL NOT EXCEED 5% WITHOUT APPROVAL OF ENGINEER.

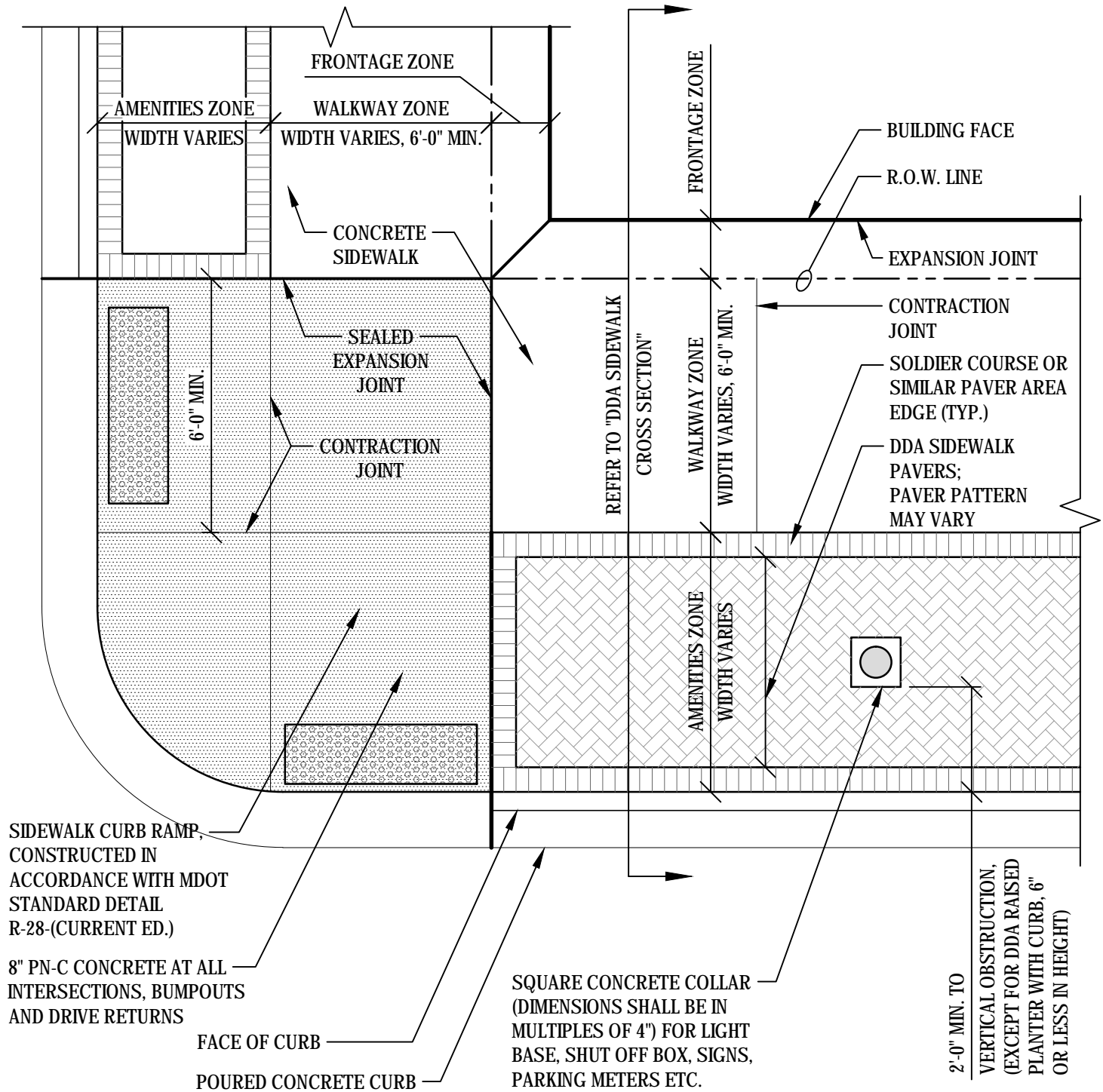


**CITY OF ANN ARBOR
PUBLIC SERVICES**
301 EAST HURON STREET
P.O. BOX 8647
ANN ARBOR, MI 48107-8647
734-794-6410
www.a2gov.org

REV. NO.	DATE	DRAWN BY	CHECKED BY
DDA SIDEWALK CROSS SECTION			
DR. SGJJR	CH. CEC	DRAWING NO.	
SCALE N.T.S.	DATE 10/28/15	SD-DDA-1A	

NOTES:

1. DRY LAID PAVERS MUST BE INSTALLED PER MANUFACTURERS RECOMMENDATIONS
2. A MOCK-UP OF PAVERS SHALL BE BUILT TO ESTABLISH THE ACTUAL WIDTH OF PAVER BAND TO AVOID SLIVERS OF PAVERS; APPROVAL BY ENGINEER OR DDA, AS APPROPRIATE.
3. ALL PAVERS SHALL BE RATED FOR HEAVY VEHICULAR TRAFFIC



SIDEWALK CURB RAMP, CONSTRUCTED IN ACCORDANCE WITH MDOT STANDARD DETAIL R-28-(CURRENT ED.)

8" PN-C CONCRETE AT ALL INTERSECTIONS, BUMPOUTS AND DRIVE RETURNS

FACE OF CURB
POURED CONCRETE CURB

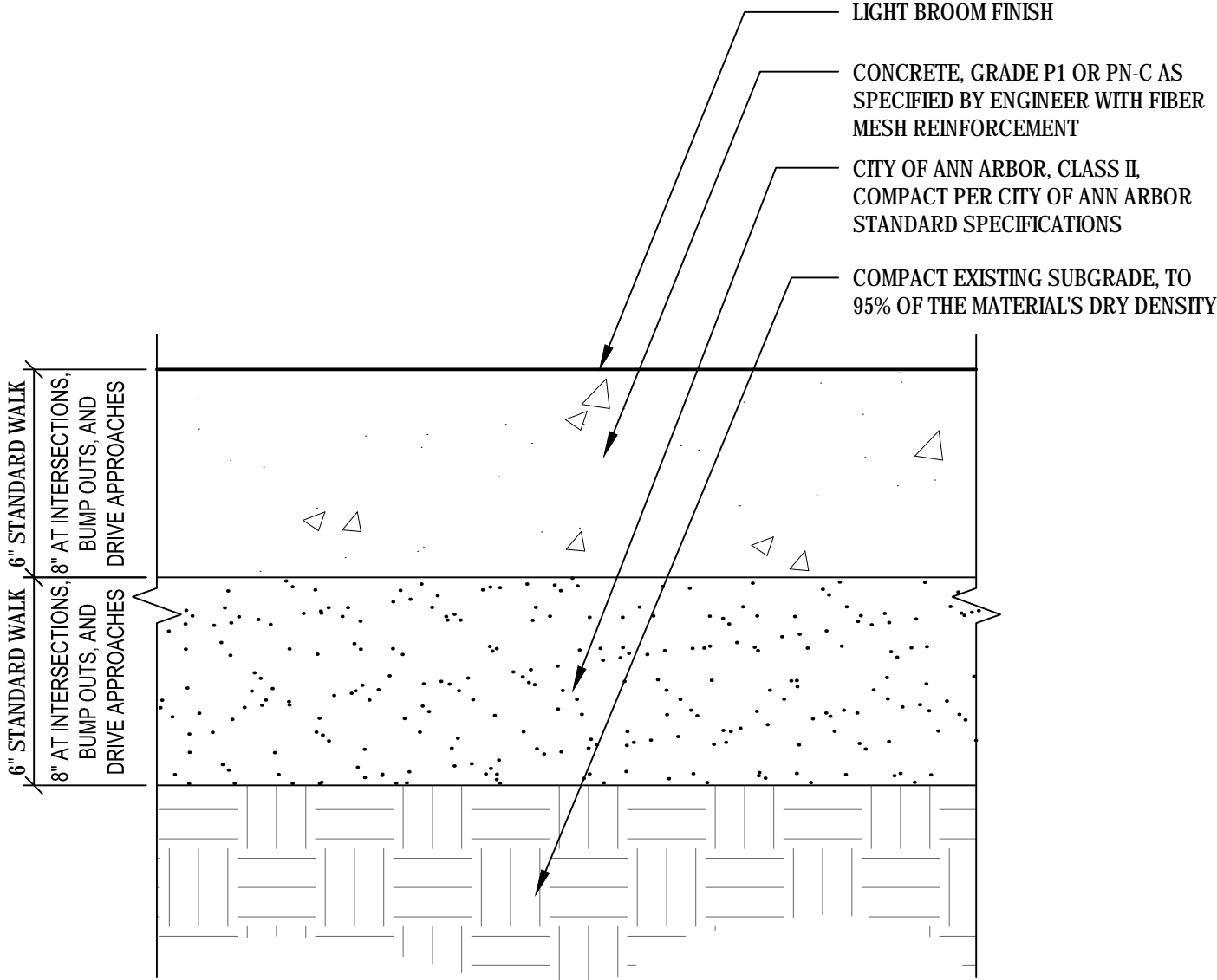
SQUARE CONCRETE COLLAR (DIMENSIONS SHALL BE IN MULTIPLES OF 4") FOR LIGHT BASE, SHUT OFF BOX, SIGNS, PARKING METERS ETC.

2'-0" MIN. TO VERTICAL OBSTRUCTION, (EXCEPT FOR DDA RAISED PLANTER WITH CURB, 6" OR LESS IN HEIGHT)



**CITY OF ANN ARBOR
PUBLIC SERVICES**
301 EAST HURON STREET
P.O. BOX 8647
ANN ARBOR, MI 48107-8647
734-794-6410
www.a2gov.org

REV. NO.	DATE	DRAWN BY	CHECKED BY
DDA SIDEWALK WITH UNIT PAVER IN AMENITY ZONE			
DR. SGJJR	CH. CEC	DRAWING NO.	
SCALE N.T.S.	DATE 10/28/15	SD-DDA-1B	



NOTES:

1. CONTRACTOR TO CONSTRUCT ALL SIDEWALKS, SIDEWALK RAMPS, CURBS, AND ALL OTHER CONCRETE ITEMS WITHIN A.D.A.A.G. COMPLIANCE.
2. ALL SIDEWALK CURB RAMPS SHALL BE CONSTRUCTED IN ACCORDANCE WITH MDOT STANDARD DETAIL R-28-I.

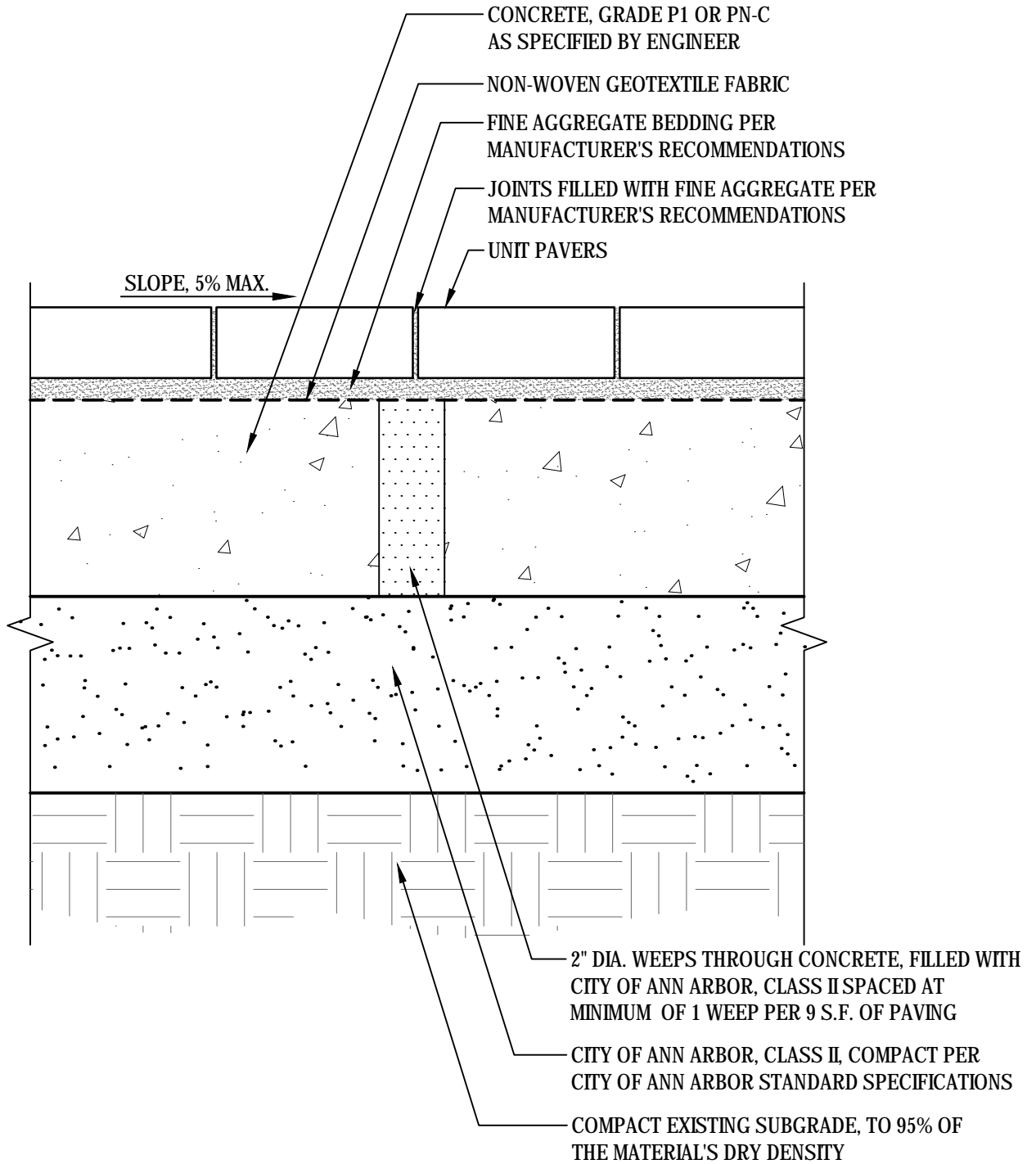


**CITY OF ANN ARBOR
PUBLIC SERVICES**
301 EAST HURON STREET
P.O. BOX 8647
ANN ARBOR, MI 48107-8647
734-794-6410
www.a2gov.org

REV. NO.	DATE	DRAWN BY	CHECKED BY
DDA CONCRETE SIDEWALK			
DR. SGJJR	CH. CEC	DRAWING NO.	
SCALE N.T.S.	DATE 10/28/15	SD-DDA-2	

NOTES:

1. DRY LAID PAVERS MUST BE INSTALLED PER MANUFACTURER'S RECOMMENDATIONS
2. A MOCK-UP OF PAVERS SHALL BE BUILT TO ESTABLISH THE ACTUAL WIDTH OF PAVER BAND TO AVOID SLIVERS OF PAVERS; APPROVAL BY DDA
3. ALL PAVERS SHALL BE RATED FOR HEAVY VEHICULAR TRAFFIC

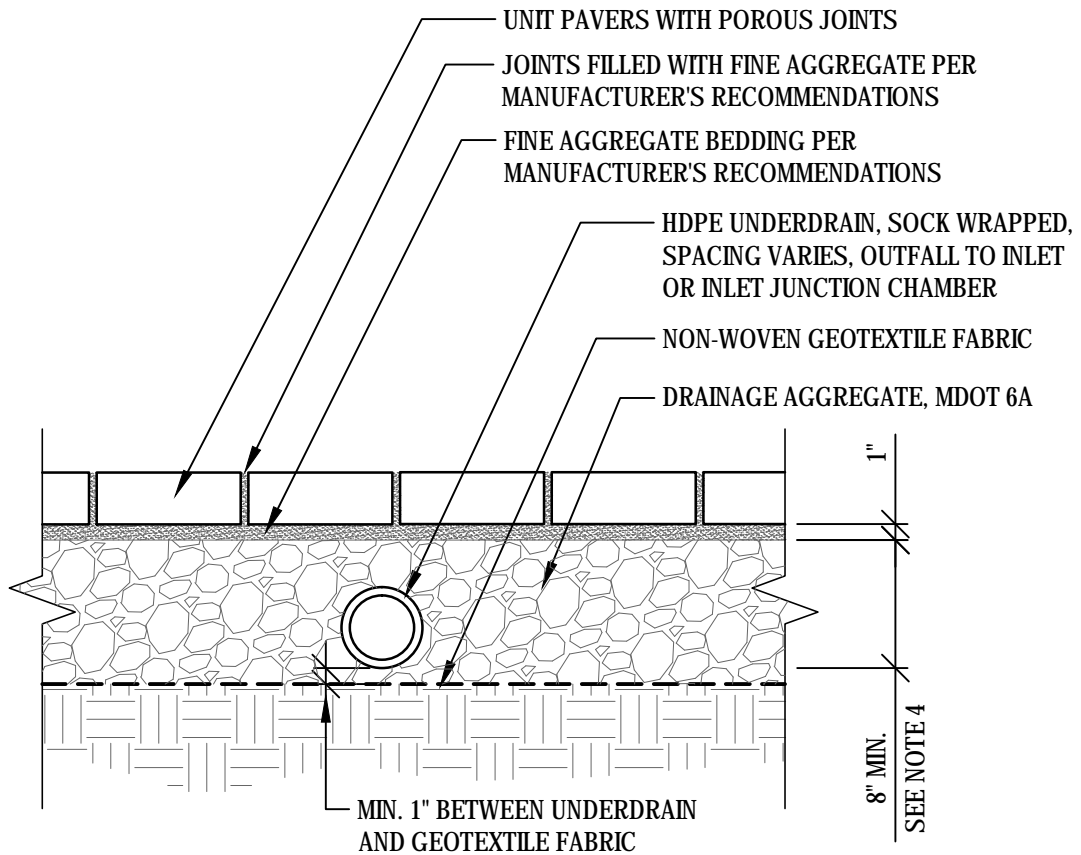


**CITY OF ANN ARBOR
PUBLIC SERVICES**
301 EAST HURON STREET
P.O. BOX 8647
ANN ARBOR, MI 48107-8647
734-794-6410
www.a2gov.org

REV. NO.	DATE	DRAWN BY	CHECKED BY
DDA SIDEWALK PAVERS			
DR. SGJJR	CH. CEC	DRAWING NO.	
SCALE N.T.S.	DATE 10/28/15	SD-DDA-3	

NOTES:

1. DRY LAID PAVERS MUST BE INSTALLED PER MANUFACTURER'S RECOMMENDATIONS
2. A MOCK-UP OF PAVERS SHALL BE BUILT TO ESTABLISH THE ACTUAL WIDTH OF PAVER BAND TO AVOID SLIVERS OF PAVERS; APPROVAL BY ENGINEER
3. ALL PAVERS SHALL BE RATED FOR HEAVY VEHICULAR TRAFFIC
4. DRAINAGE AGGREGATE LAYER MAY BE THICKER TO ACCOMMODATE ADDITIONAL STORM WATER STORAGE OR VEHICULAR DESIGN LOADS



**CITY OF ANN ARBOR
PUBLIC SERVICES**
301 EAST HURON STREET
P.O. BOX 8647
ANN ARBOR, MI 48107-8647
734-794-6410
www.a2gov.org

REV. NO.	DATE	DRAWN BY	CHECKED BY
DDA PERMEABLE PAVER TREATMENT			
DR. SGJJR	CH. CEC	DRAWING NO.	
SCALE N.T.S.	DATE 10/28/15	SD-DDA-4	

NOTES:

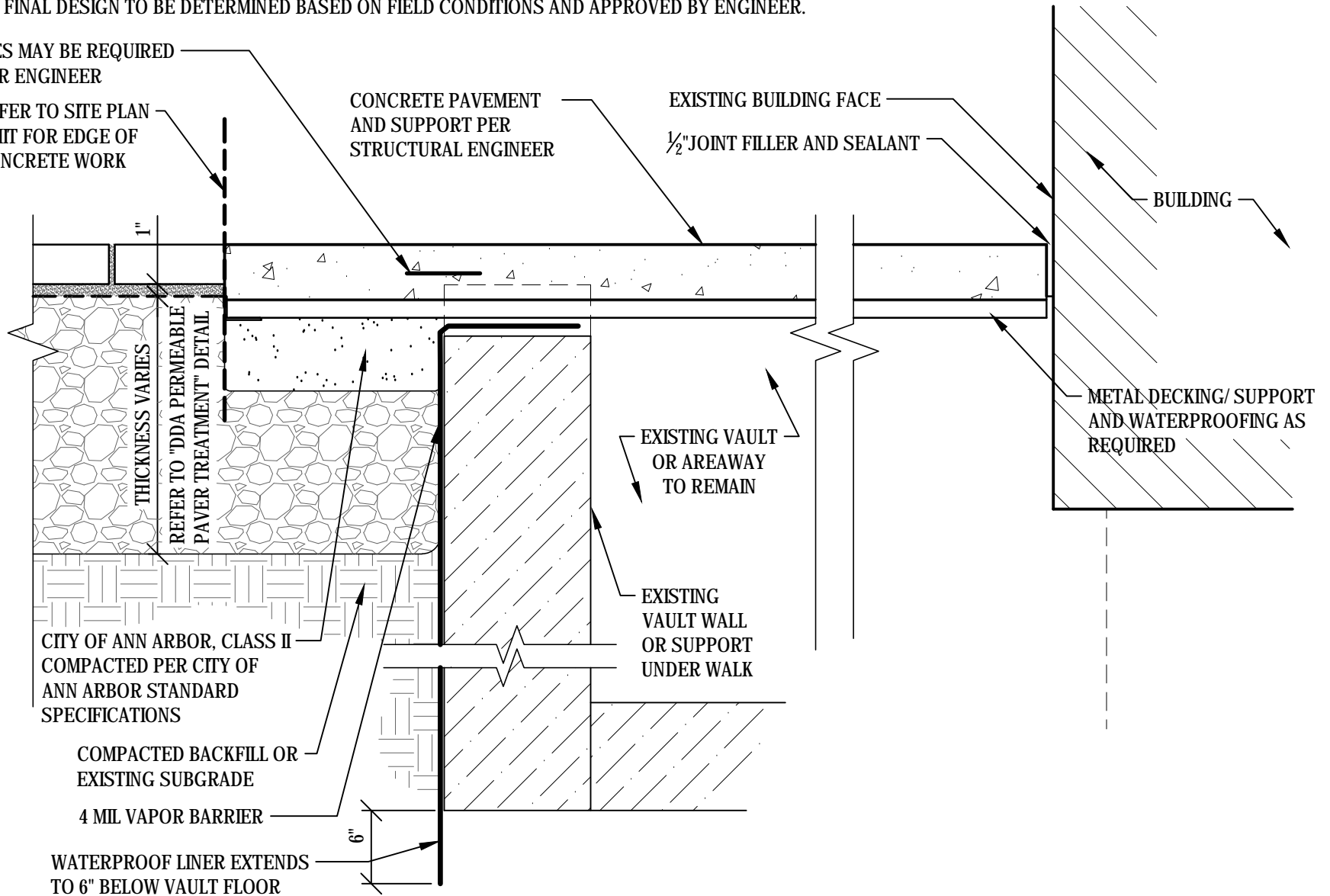
1. THIS DETAIL IS INTENDED AS A DESIGN GUIDELINE ONLY.
FINAL DESIGN TO BE DETERMINED BASED ON FIELD CONDITIONS AND APPROVED BY ENGINEER.

TIES MAY BE REQUIRED
PER ENGINEER

REFER TO SITE PLAN
LIMIT FOR EDGE OF
CONCRETE WORK

CONCRETE PAVEMENT
AND SUPPORT PER
STRUCTURAL ENGINEER

EXISTING BUILDING FACE
 $\frac{1}{2}$ " JOINT FILLER AND SEALANT



CITY OF ANN ARBOR, CLASS II
COMPACTED PER CITY OF
ANN ARBOR STANDARD
SPECIFICATIONS

COMPACTED BACKFILL OR
EXISTING SUBGRADE

4 MIL VAPOR BARRIER

WATERPROOF LINER EXTENDS
TO 6" BELOW VAULT FLOOR

EXISTING VAULT
OR AREAWAY
TO REMAIN

EXISTING
VAULT WALL
OR SUPPORT
UNDER WALK

METAL DECKING/ SUPPORT
AND WATERPROOFING AS
REQUIRED

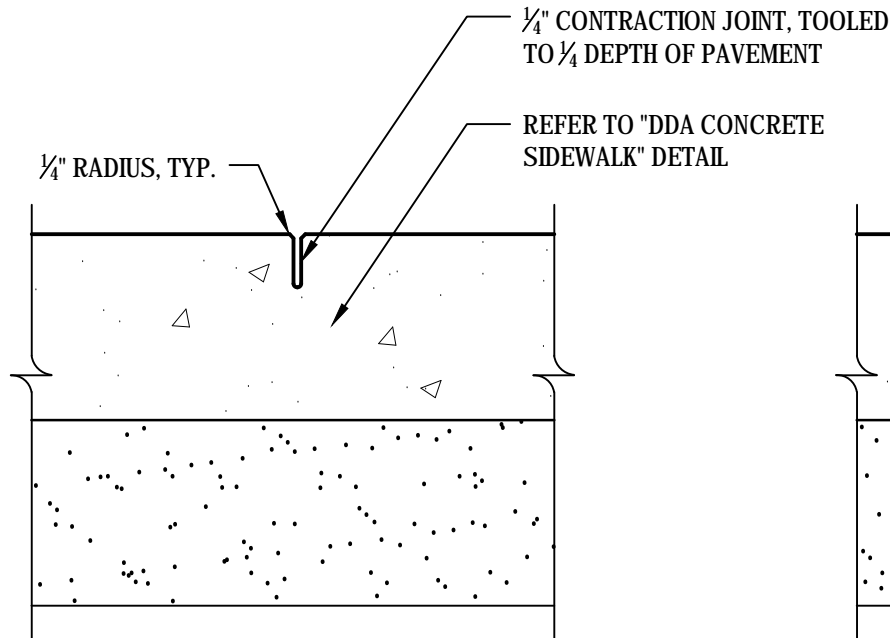


**CITY OF ANN ARBOR
PUBLIC SERVICES**
301 EAST HURON STREET
P.O. BOX 8647
ANN ARBOR, MI 48107-8647
734-794-6410
www.a2gov.org

REV. NO.	DATE	DRAWN BY	CHECKED BY
DDA PERMEABLE PAVER TREATMENT @ VAULTS OR AREAWAY			
DR. SGJJR	CH. CEC	DRAWING NO.	
SCALE N.T.S.	DATE 10/28/15	SD-DDA-5	

GENERAL NOTES:

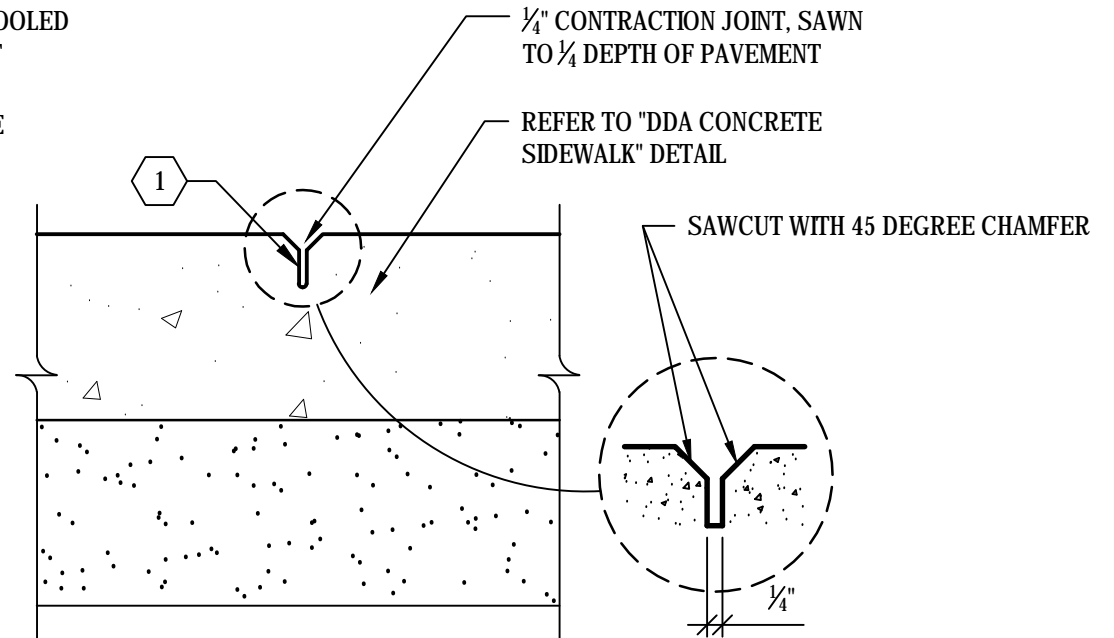
- DESIGN MAY UTILIZE TOOLED OR SAW-CUT CONTRACTION JOINT. PLANS MUST INDICATE SELECTION OF JOINT TYPE. PROJECT MUST HAVE EITHER JOINT TYPE, BUT NOT BOTH.
- CONTRACTOR TO PROVIDE MOCK UP OF PAVING FINISH, COLOR AND JOINTING FOR CITY APPROVAL, PRIOR TO INSTALLING SIDEWALKS



NOTE:

- TOOLED CONTRACTION TO HAVE $\frac{1}{4}$ " RADIUS AT SURFACE OF JOINT

TOOLED CONTRACTION JOINT



NOTE:

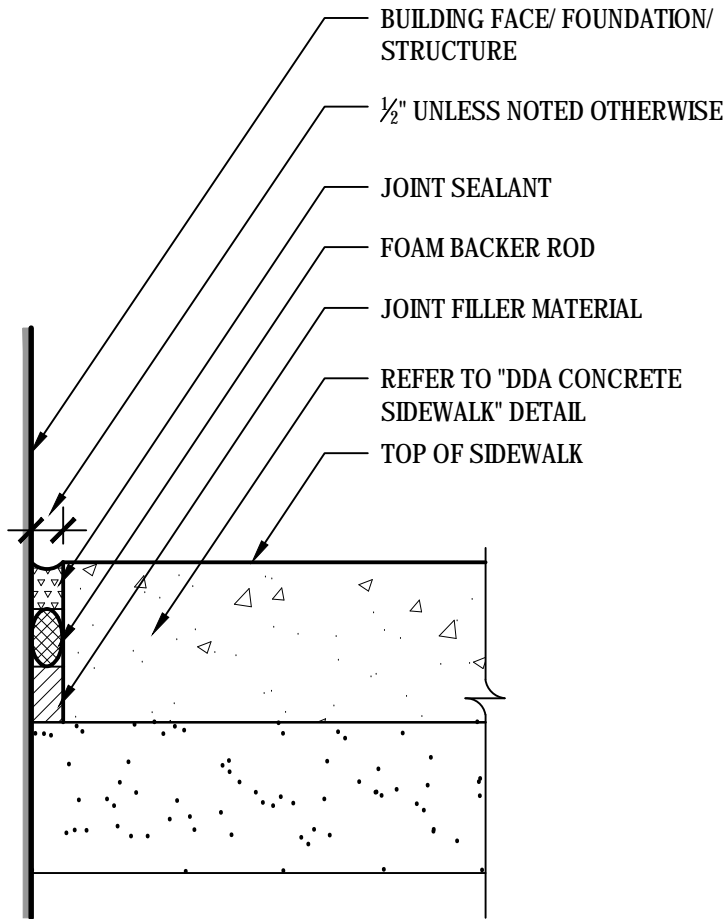
- CHAMFERED CONTRACTION JOINT MAY BE SAWCUT AS SOON AS THE CONCRETE HAS HARDENED SUFFICIENTLY TO PREVENT RAVELING OF THE CONCRETE AT THE EDGES.
- A FORM OR GUIDE IS REQUIRED TO BE USED ON ALL CHAMFERED CONTRACTION JOINTS THAT ARE ARCS. ARC JOINTS ARE TO BE SAWCUT TO A TRUE EVEN CONTINUOUS RADIUS WITHOUT IRREGULARITIES.

SAW-CUT CONTRACTION JOINT

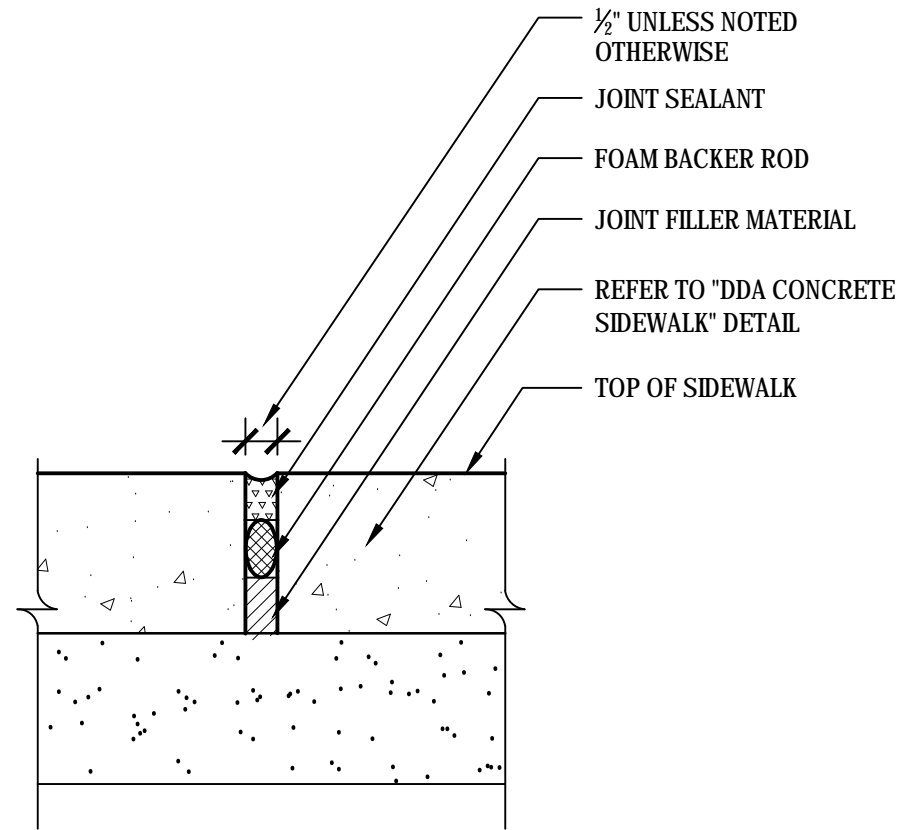


**CITY OF ANN ARBOR
PUBLIC SERVICES**
301 EAST HURON STREET
P.O. BOX 8647
ANN ARBOR, MI 48107-8647
734-794-6410
www.a2gov.org

REV. NO.	DATE	DRAWN BY	CHECKED BY
DDA SIDEWALK - CONTRACTION JOINT			
DR. SGJJR	CH. CEC	DRAWING NO.	
SCALE N.T.S.	DATE 10/28/15	SD-DDA-6	



CONCRETE TO BUILDING FACE,
FOUNDATION, OR STRUCTURE



CONCRETE TO CONCRETE SIDEWALK

NOTE:

1. ALL EXPANSION JOINTS TO BE SEALED IN DDA DISTRICT
2. DOWELED SEALED EXPANSION JOINTS INCLUDING BARS AND SLEEVES ARE INCIDENTAL TO PAVEMENT PAY ITEMS.

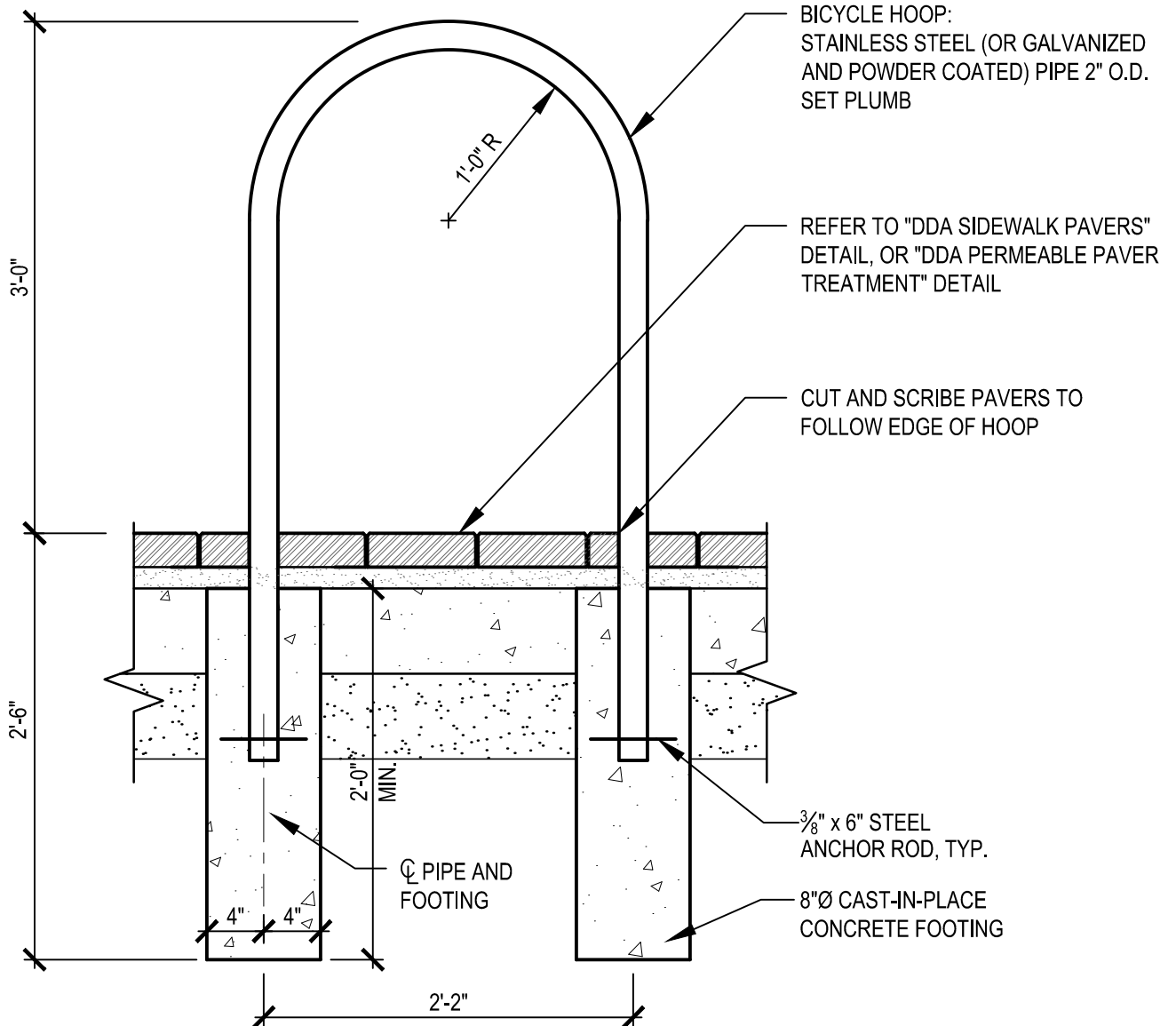


**CITY OF ANN ARBOR
PUBLIC SERVICES**
301 EAST HURON STREET
P.O. BOX 8647
ANN ARBOR, MI 48107-8647
734-794-6410
www.a2gov.org

REV. NO.	DATE	DRAWN BY	CHECKED BY
DDA SIDEWALK - SEALED EXPANSION JOINT			
DR. SGJJR	CH. CEC	DRAWING NO.	
SCALE N.T.S.	DATE 10/28/15	SD-DDA-7	

BICYCLE HOOP NOTES:

1. TO BE USED ONLY FOR DDA SIDEWALK PAVERS OR DDA PERMEABLE PAVER TREATMENTS
2. LOCATE AND GROUP BICYCLE HOOPS IN THE AMENITY ZONE.
3. BIKE HOOPS TO BE A MINIMUM OF 2'-10" FROM BACK OF CURB WHEN PERPENDICULAR TO CURB, AND 2'-0" WHEN PARALLEL.
4. REFER TO ANN ARBOR DOWNTOWN STREET DESIGN MANUAL FOR ADDITIONAL LAYOUT GUIDELINES.

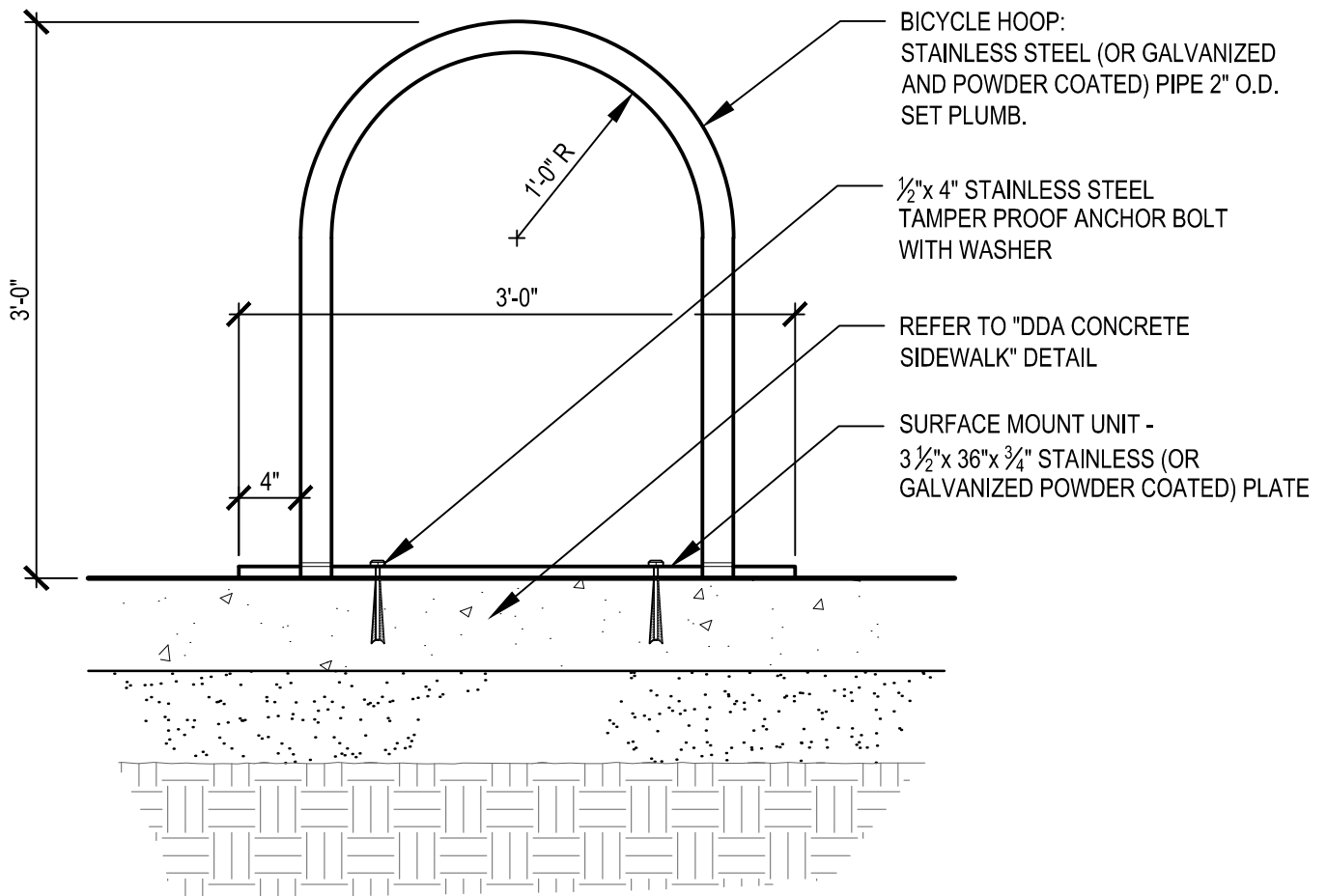


**CITY OF ANN ARBOR
PUBLIC SERVICES**
301 EAST HURON STREET
P.O. BOX 8647
ANN ARBOR, MI 48107-8647
734-794-6410
www.a2gov.org

REV. NO.	DATE	DRAWN BY	CHECKED BY
DDA BIKE HOOP - EMBEDDED			
DR. SGJJR	CH. CEC	DRAWING NO.	
SCALE N.T.S.	DATE 10/28/15	SD-DDA-8	

BICYCLE HOOP NOTES:

1. TO BE USED ONLY FOR DDA CONCRETE SIDEWALK SURFACES
2. LOCATE AND GROUP BICYCLE HOOPS IN THE AMENITY ZONE.
3. BIKE HOOPS TO BE MINIMUM OF 2'-10" FROM BACK OF CURB WHEN PERPENDICULAR TO CURB, AND 2'-0" WHEN PARALLEL.
4. REFER TO ANN ARBOR DOWNTOWN STREET DESIGN MANUAL FOR ADDITIONAL LAYOUT GUIDELINES.

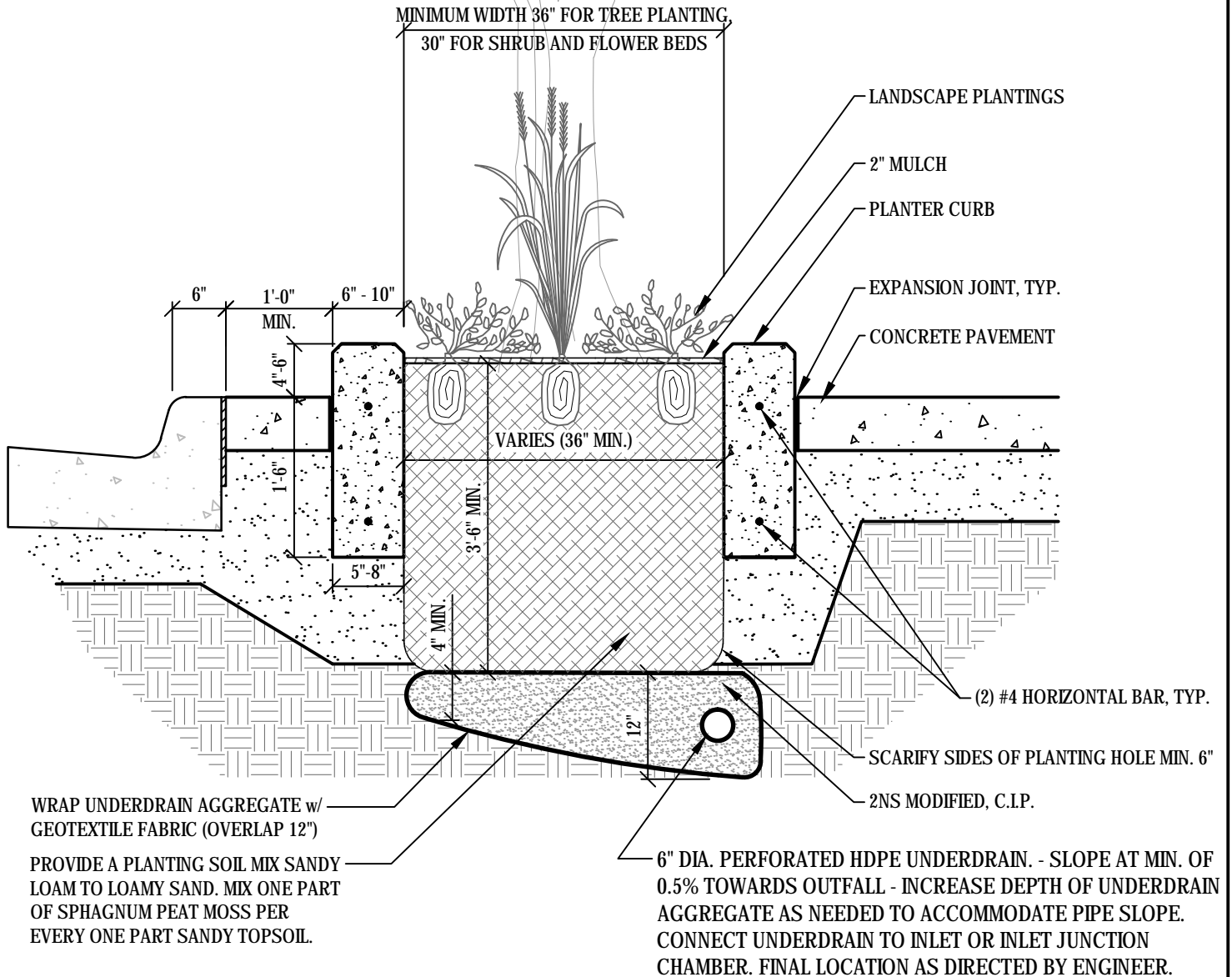


**CITY OF ANN ARBOR
PUBLIC SERVICES**
301 EAST HURON STREET
P.O. BOX 8647
ANN ARBOR, MI 48107-8647
734-794-6410
www.a2gov.org

REV. NO.	DATE	DRAWN BY	CHECKED BY
DDA BIKE HOOP - SURFACE MOUNTED			
DR. SGJJR	CH. CEC	DRAWING NO.	
SCALE N.T.S.	DATE 10/28/15	SD-DDA-9	

NOTES:

1. CONTRACTOR TO EXCAVATE ENTIRE PLANTING AREA. EXISTING SOIL MATERIAL TO BE DISPOSED OF OFF-SITE AT NO ADDITIONAL COST TO OWNER
2. RAISED PLANTER MAY INTEGRATE PLANTER BOX WALL PER ANN ARBOR DOWNTOWN STREET DESIGN MANUAL, ON SIDEWALK SIDE.
3. LENGTH OF PLANTER WITH CURB MAY VARY; MUST MEET SOIL VOLUME REQUIREMENTS IN ANN ARBOR DOWNTOWN STREET DESIGN MANUAL FOR TREE PLANTING.
4. IN NO CASE SHALL UNDERDRAIN BE INSTALLED AT A SLOPE LESS THAN 0.5% OR AT A DEPTH OF LESS THAN 3.25' BELOW TOP IF PAVEMENT.

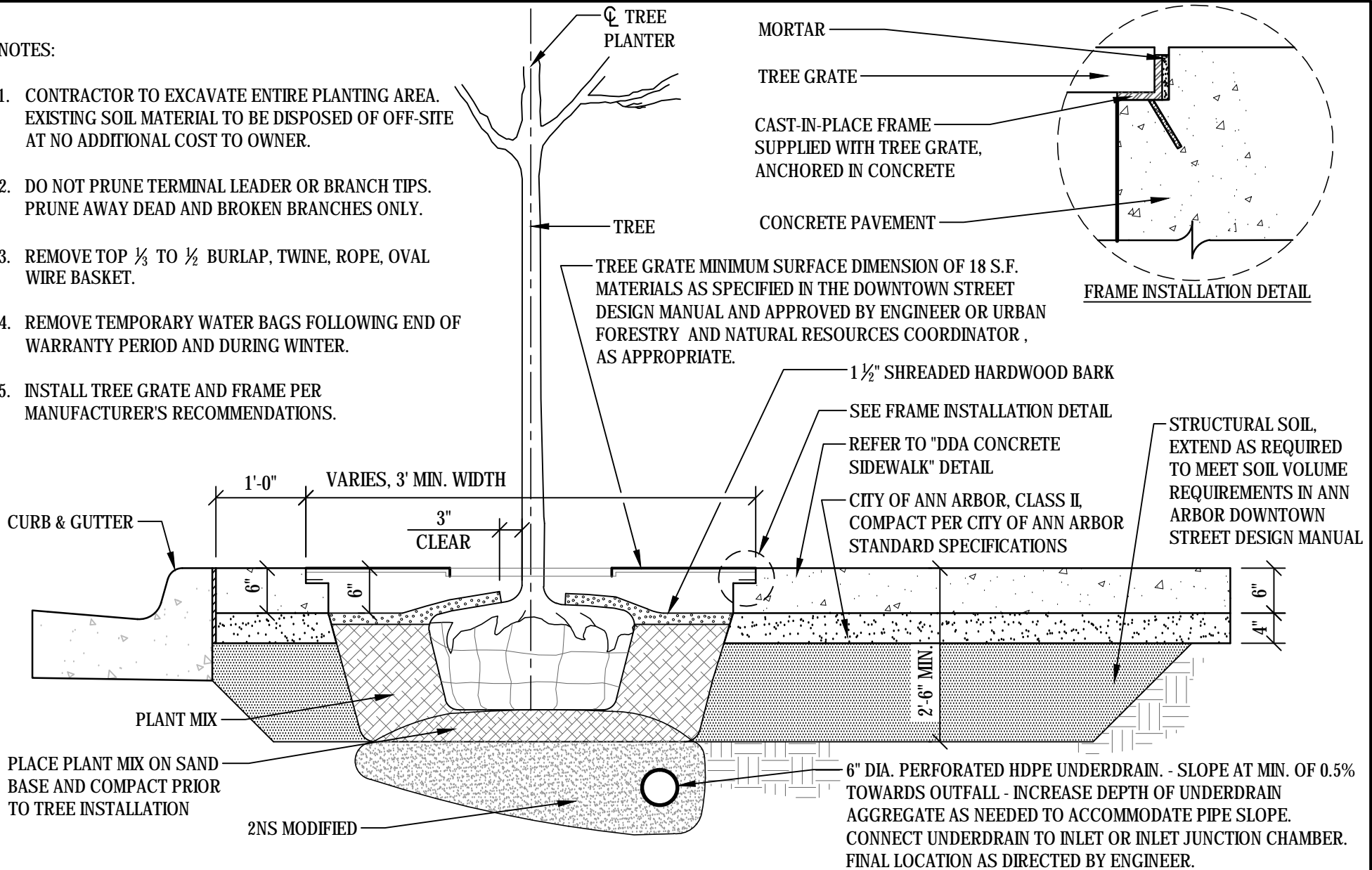


**CITY OF ANN ARBOR
PUBLIC SERVICES**
301 EAST HURON STREET
P.O. BOX 8647
ANN ARBOR, MI 48107-8647
734-794-6410
www.a2gov.org

REV. NO.	DATE	DRAWN BY	CHECKED BY
DDA RAISED PLANTER WITH CURB			
DR. SGJJR	CH. CEC	DRAWING NO.	
SCALE N.T.S.	DATE 10/28/15	SD-DDA-10	

NOTES:

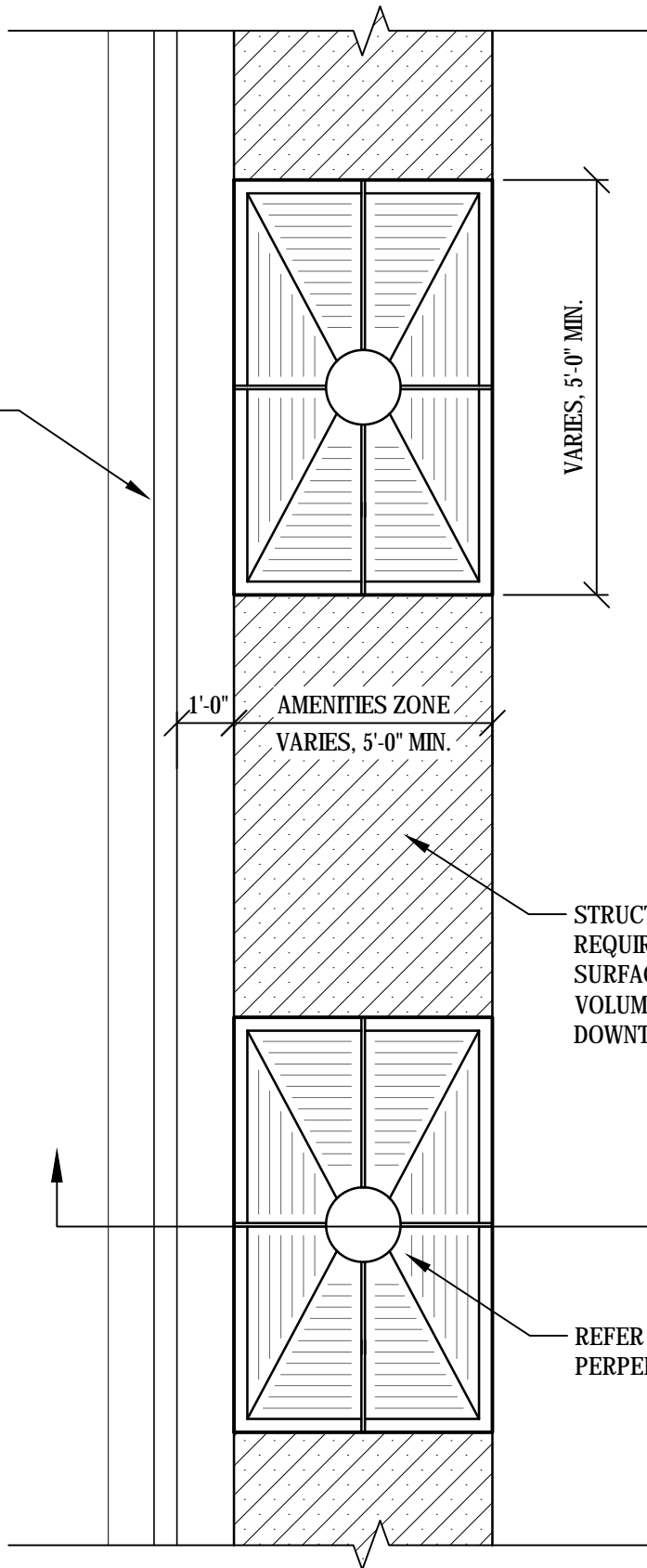
1. CONTRACTOR TO EXCAVATE ENTIRE PLANTING AREA. EXISTING SOIL MATERIAL TO BE DISPOSED OF OFF-SITE AT NO ADDITIONAL COST TO OWNER.
2. DO NOT PRUNE TERMINAL LEADER OR BRANCH TIPS. PRUNE AWAY DEAD AND BROKEN BRANCHES ONLY.
3. REMOVE TOP 1/3 TO 1/2 BURLAP, TWINE, ROPE, OVAL WIRE BASKET.
4. REMOVE TEMPORARY WATER BAGS FOLLOWING END OF WARRANTY PERIOD AND DURING WINTER.
5. INSTALL TREE GRATE AND FRAME PER MANUFACTURER'S RECOMMENDATIONS.



**CITY OF ANN ARBOR
PUBLIC SERVICES**
301 EAST HURON STREET
P.O. BOX 8647
ANN ARBOR, MI 48107-8647
734-794-6410
www.a2gov.org

REV. NO.	DATE	DRAWN BY	CHECKED BY
DDA TREE PIT SECTION PERPENDICULAR TO CURB			
DR. SGJJR	CH. CEC	DRAWING NO.	
SCALE N.T.S.	DATE 10/28/15	SD-DDA-11A	

BARRIER CURB AND GUTTER



VARIES, 5'-0" MIN.

1'-0"

AMENITIES ZONE
VARIES, 5'-0" MIN.

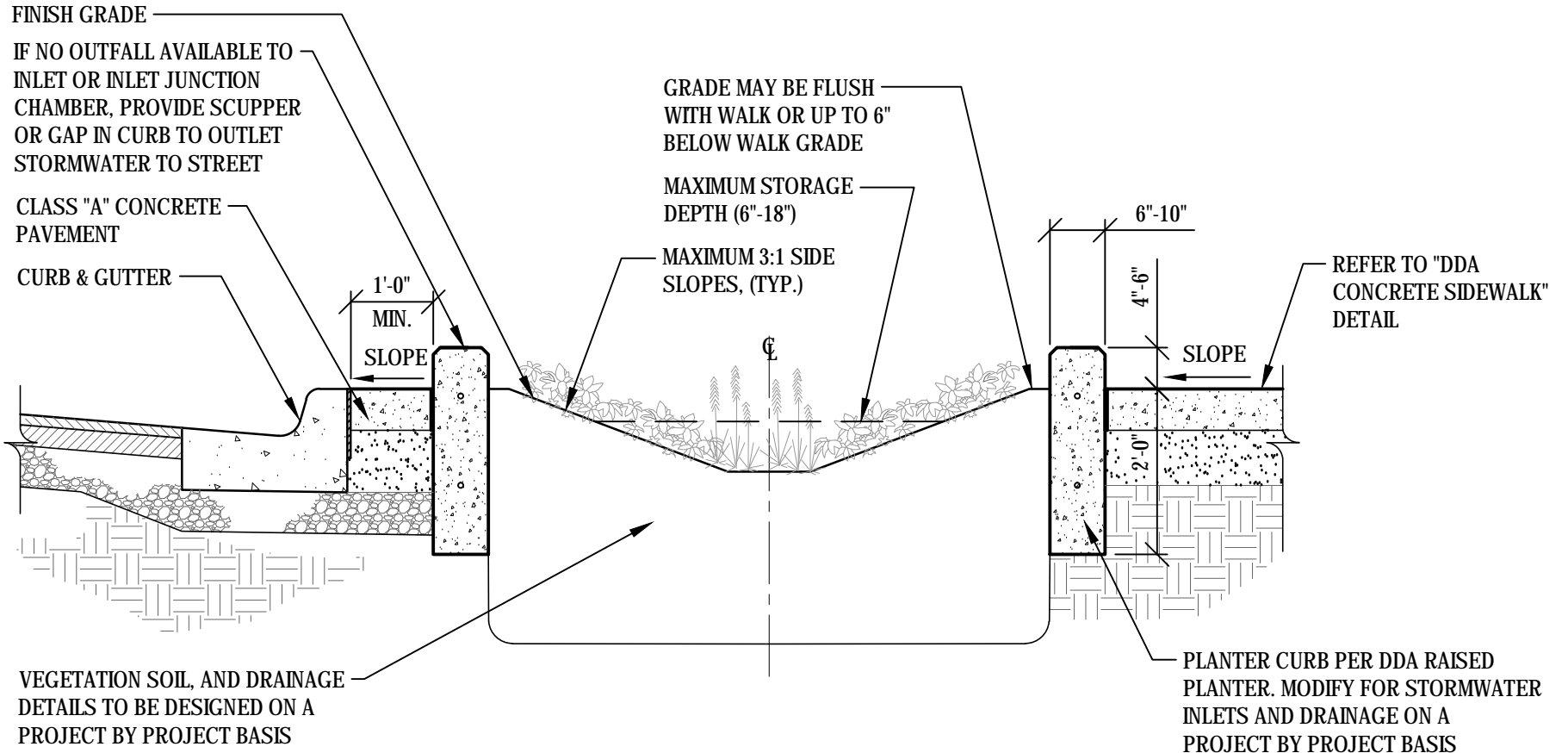
STRUCTURAL SOIL, EXTEND AS
REQUIRED UNDERNEATH AMENITY ZONE
SURFACE MATERIAL TO MEET SOIL
VOLUME REQUIREMENT IN ANN ARBOR
DOWNTOWN STREET DESIGN MANUAL

REFER TO DDA TREE PIT SECTION
PERPENDICULAR TO CURB



**CITY OF ANN ARBOR
PUBLIC SERVICES**
301 EAST HURON STREET
P.O. BOX 8647
ANN ARBOR, MI 48107-8647
734-794-6410
www.a2gov.org

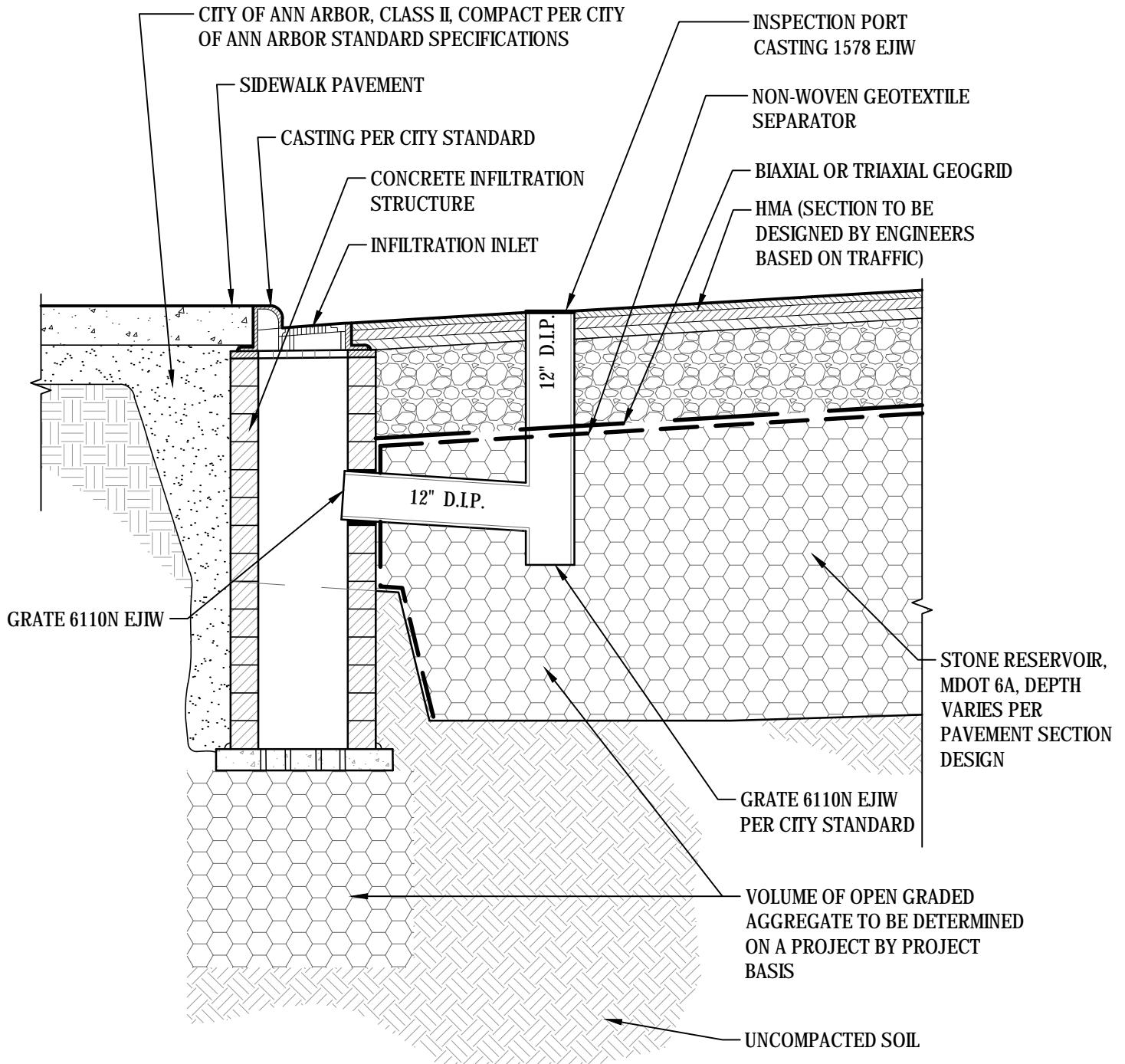
REV. NO.	DATE	DRAWN BY	CHECKED BY
DDA TREE PIT PLAN			
DR. SGJJR	CH. CEC	DRAWING NO.	
SCALE N.T.S.	DATE 10/28/15	SD-DDA-11B	



**CITY OF ANN ARBOR
PUBLIC SERVICES**
301 EAST HURON STREET
P.O. BOX 8647
ANN ARBOR, MI 48107-8647
734-794-6410
www.a2gov.org

REV. NO.	DATE	DRAWN BY	CHECKED BY
DDA VEGETATED SWALE / RAIN GARDEN ADJACENT TO SIDEWALK			
DR. SGJJR	CH. CEC	DRAWING NO.	
SCALE N.T.S.	DATE 10/28/15	SD-DDA-12	

NOTE:
 VERIFY AND COORDINATE UTILITIES AND
 SERVICES WITH UTILITY OWNERS TO
 MAKE ADJUSTMENTS AND MODIFICATIONS
 AS NECESSARY



**CITY OF ANN ARBOR
 PUBLIC SERVICES**
 301 EAST HURON STREET
 P.O. BOX 8647
 ANN ARBOR, MI 48107-8647
 734-794-6410
 www.a2gov.org

REV. NO.	DATE	DRAWN BY	CHECKED BY
DDA STORMWATER STORAGE			
DR. SGJJR	CH. CEC	DRAWING NO.	
SCALE N.T.S.	DATE 10/28/15	SD-DDA-13	