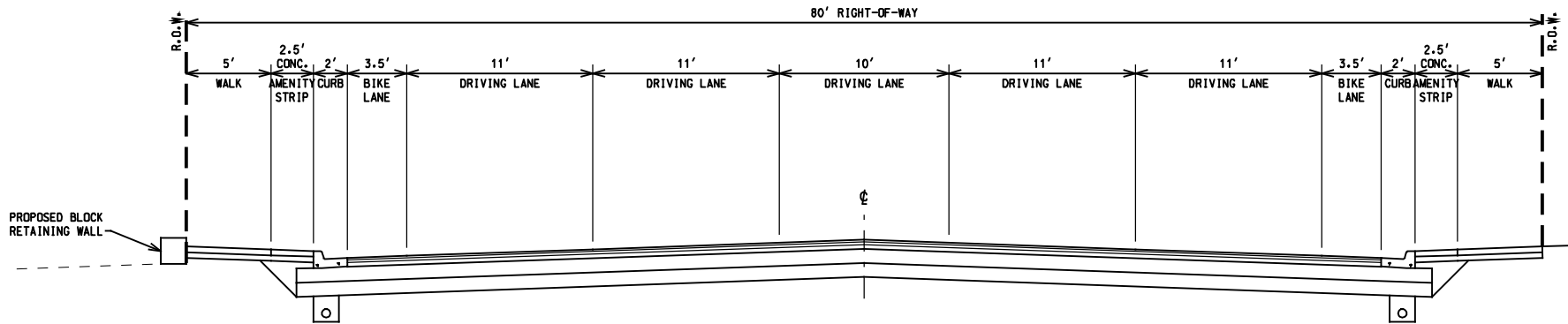


**EXISTING HMA PAVEMENT SECTION**

WEST STADIUM BOULEVARD  
NOT TO SCALE



**PROPOSED 5-LANE HMA PAVEMENT SECTION**

WEST STADIUM BOULEVARD  
NOT TO SCALE

JOB NO. 20070616	HUBBELL, ROTH & CLARK, INC. CONSULTING ENGINEERS 555 HULET DRIVE BLOOMFIELD HILLS, MICH.	P.O. BOX 824 48303-0824	SHEET NO. <b>2</b>
DATE 11-20-08		OF 2	